



US00D979071S

(12) **United States Design Patent** (10) **Patent No.:** **US D979,071 S**  
**Chung** (45) **Date of Patent:** **\*\* Feb. 21, 2023**

(54) **HEMOSTASIS VALVE**  
(71) Applicant: **HUBIOMED INC.**, Seongnam-si (KR)  
(72) Inventor: **Sun Chung**, Seongnam-si (KR)  
(73) Assignee: **HUBIOMED INC.**, Seongnam-si (KR)  
(\*\*) Term: **15 Years**

(21) Appl. No.: **29/721,889**  
(22) Filed: **Jan. 24, 2020**  
(51) **LOC (14) Cl.** ..... **24-01**  
(52) **U.S. Cl.**  
USPC ..... **D24/169**

(58) **Field of Classification Search**  
USPC .... D24/107, 110.6, 112, 113, 129, 164-169, D24/216; D10/81  
CPC ..... A61M 25/065; A61M 25/0612; A61M 25/00; A61M 25/0043; A61M 25/0067; A61M 25/0097; A61M 5/42; A61M 39/00; A61M 27/00; A61M 25/0606; A61M 25/0631; A61M 1/16; A61M 1/1601; A61M 1/1621; A61M 1/1654; A61M 1/36; A61M 1/3693; A61M 1/3696; A61M 2209/084; A61M 2205/502; A61M 2205/505; A61F 2/958; A61B 2560/0443; A61B 2560/0462; A61B 5/14532; A61B 5/14865  
See application file for complete search history.

(56) **References Cited**  
U.S. PATENT DOCUMENTS  
D298,278 S \* 10/1988 Savitz ..... D24/169  
D468,015 S \* 12/2002 Horppu ..... D24/129  
D560,798 S \* 1/2008 Hosoda ..... D24/113  
D617,459 S \* 6/2010 Bogue ..... D24/155  
D623,302 S \* 9/2010 Barrett ..... D24/169  
8,292,594 B2 \* 10/2012 Tracey ..... F04B 23/06  
417/43  
D725,261 S \* 3/2015 Barrett ..... D24/129

D743,044 S \* 11/2015 Jackson ..... D24/216  
D757,934 S \* 5/2016 Barrett ..... D24/129  
D888,269 S \* 6/2020 Salomon ..... D24/223  
D907,764 S \* 1/2021 Hidaka ..... D24/112  
D914,194 S \* 3/2021 Fiorenza ..... D24/110.6  
2018/0280608 A1 \* 10/2018 Gillett ..... A61M 5/14248  
2020/0171293 A1 \* 6/2020 Chung ..... A61M 39/06

**OTHER PUBLICATIONS**

HuBioMed-Medical Devices, posted at youtube.com, posted Oct. 12, 2020, retrieved May 8, 2021, online, URL: <https://www.youtube.com/watch?v=c8YdhlamOg0> (Year: 2020).\*

\* cited by examiner

*Primary Examiner* — Mary Shannon Malley  
(74) *Attorney, Agent, or Firm* — Li & Cai Intellectual Property (USA) Office

(57) **CLAIM**

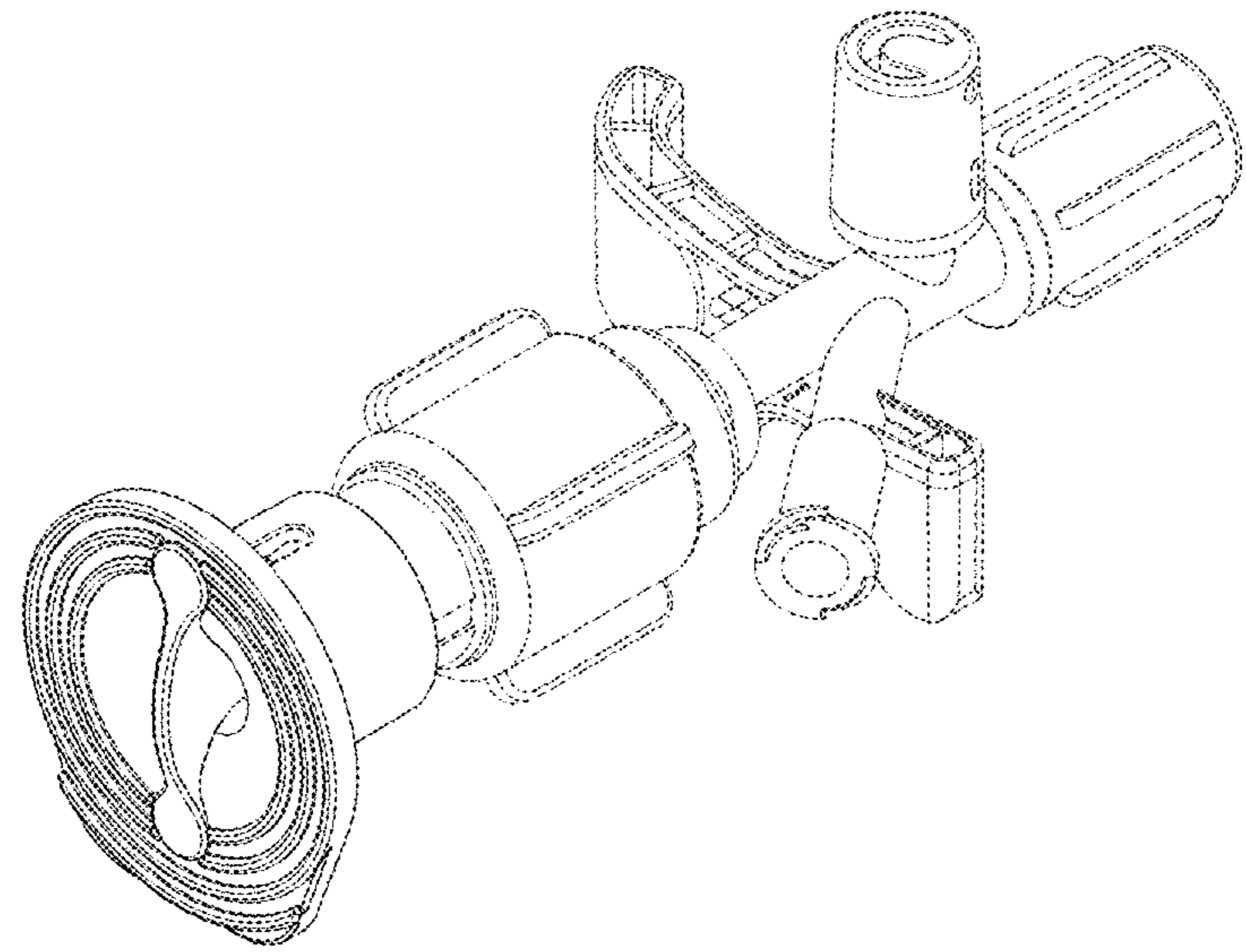
The ornamental design for a hemostasis valve, as shown and described.

**DESCRIPTION**

FIG. 1 is a front top and right perspective view of a hemostasis valve showing my new design; FIG. 2 is a front elevational view thereof; FIG. 3 is a rear elevational view thereof; FIG. 4 is a left side elevational view thereof; FIG. 5 is a right side elevational view thereof; FIG. 6 is a top plan view thereof; FIG. 7 is a bottom plan view thereof; and, FIG. 8 is a front top and right perspective view thereof, wherein a divider is separated from an entrance of the hemostasis valve.

The broken lines illustrate portions of the hemostasis valve that forms no part of the claimed design.

**1 Claim, 7 Drawing Sheets**



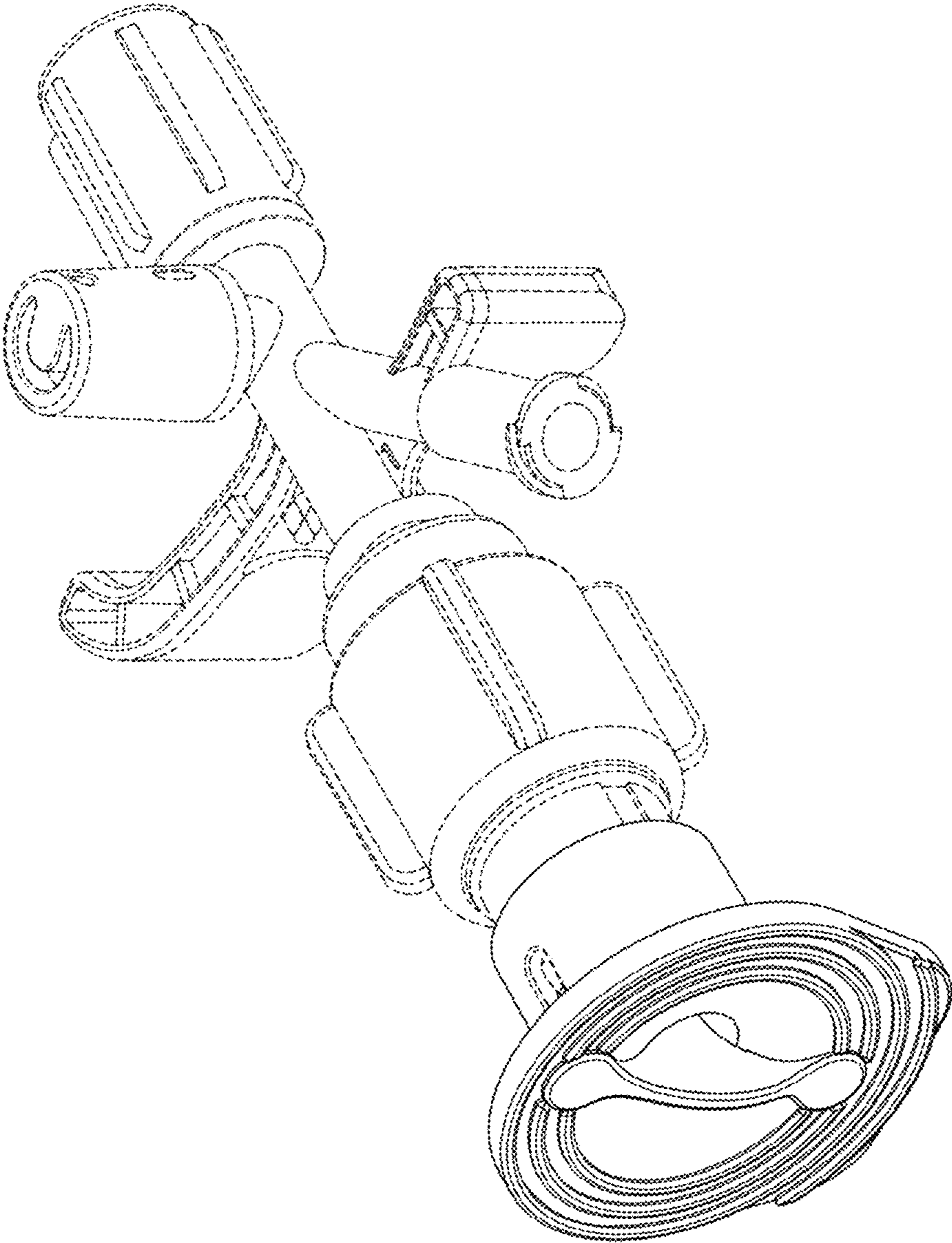


FIG. 1

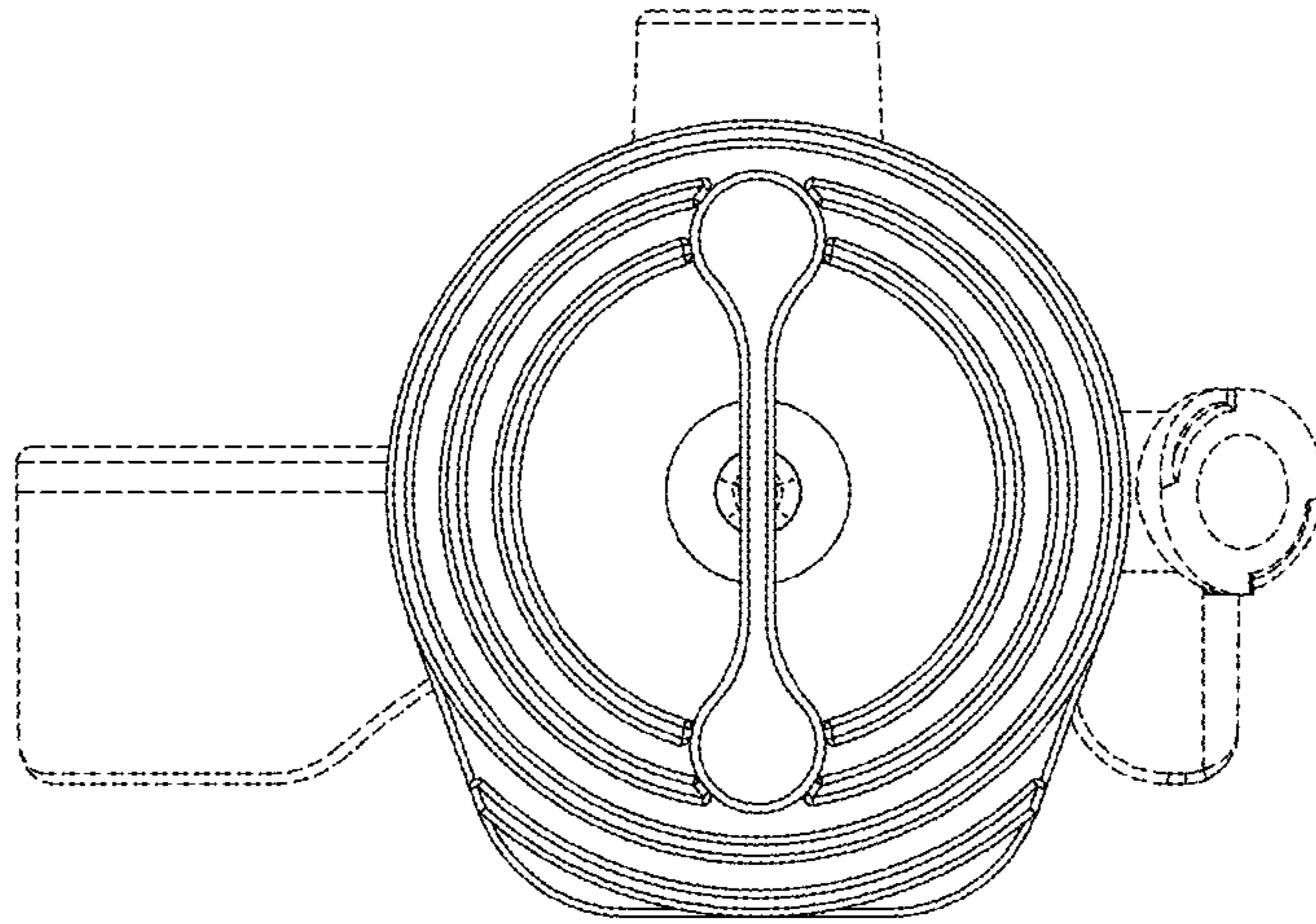


FIG. 2

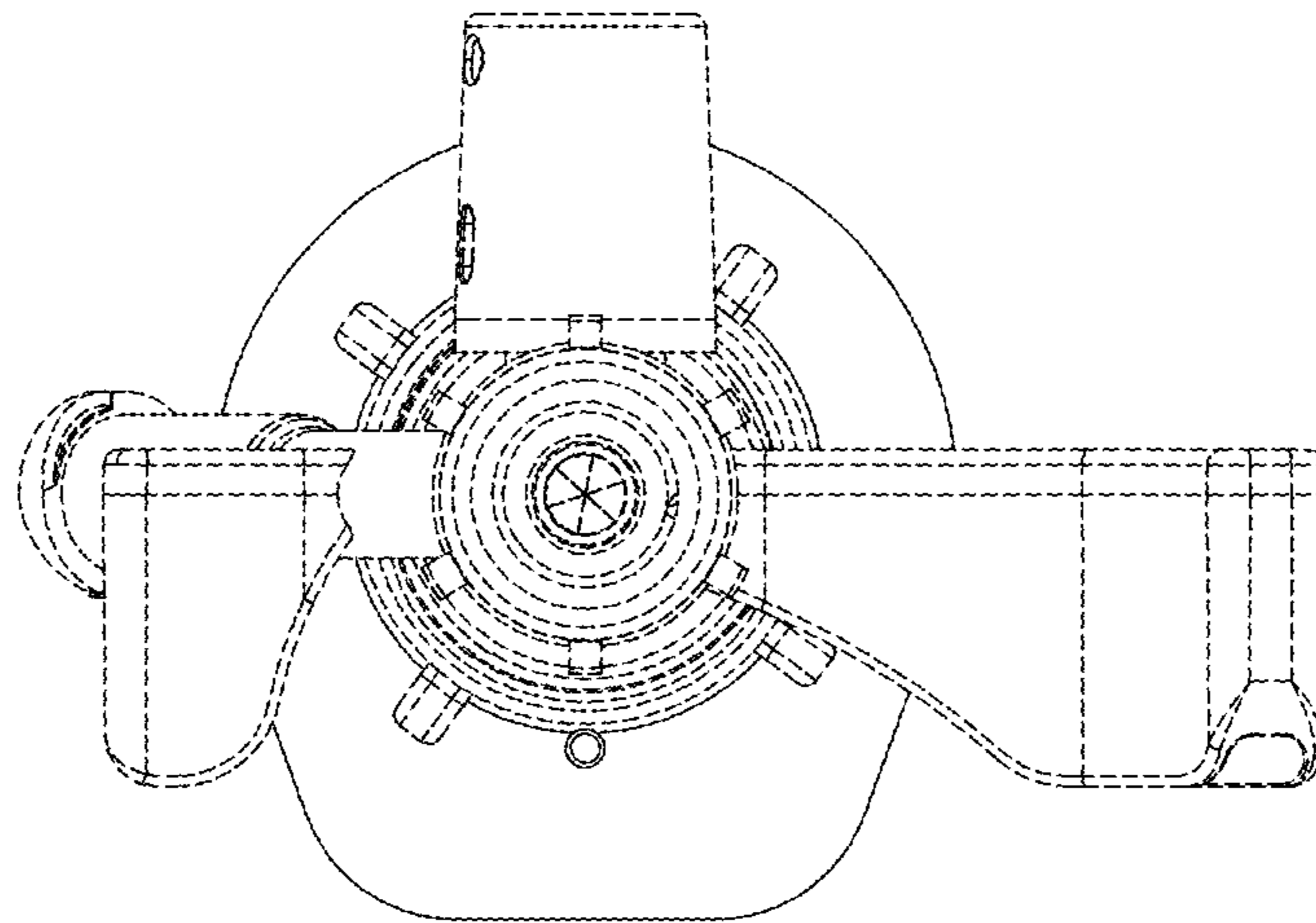


FIG. 3

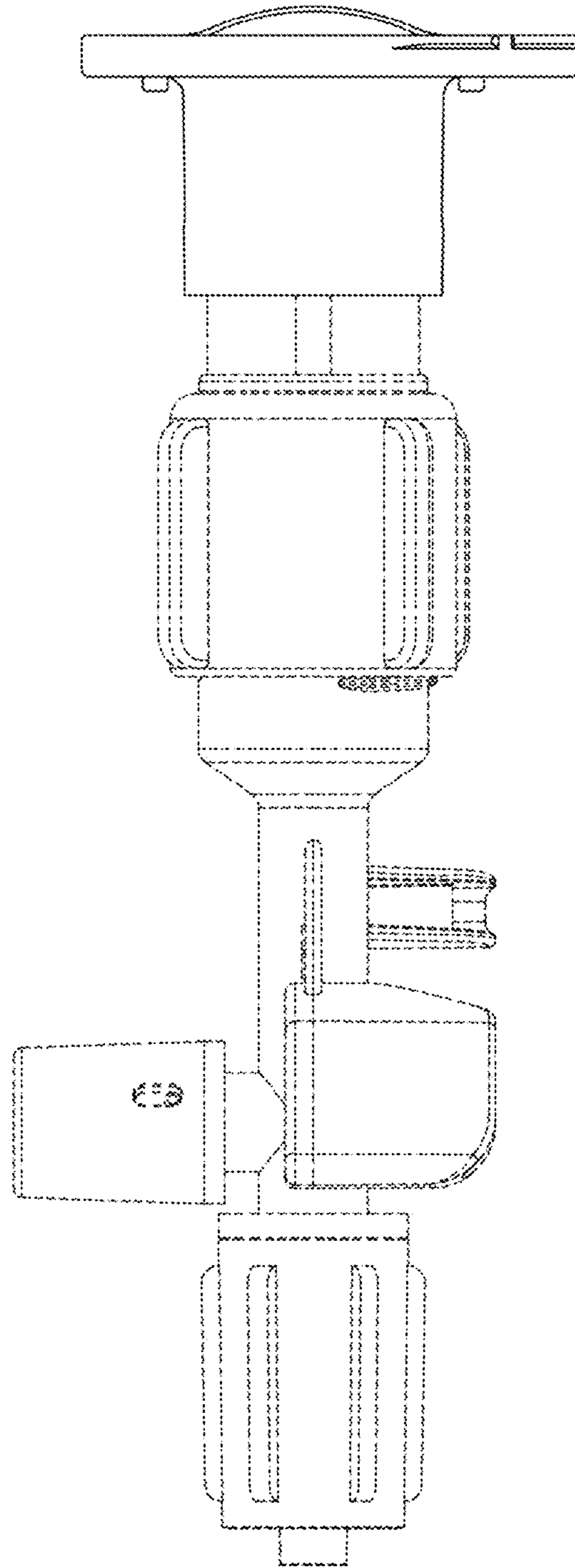


FIG. 4

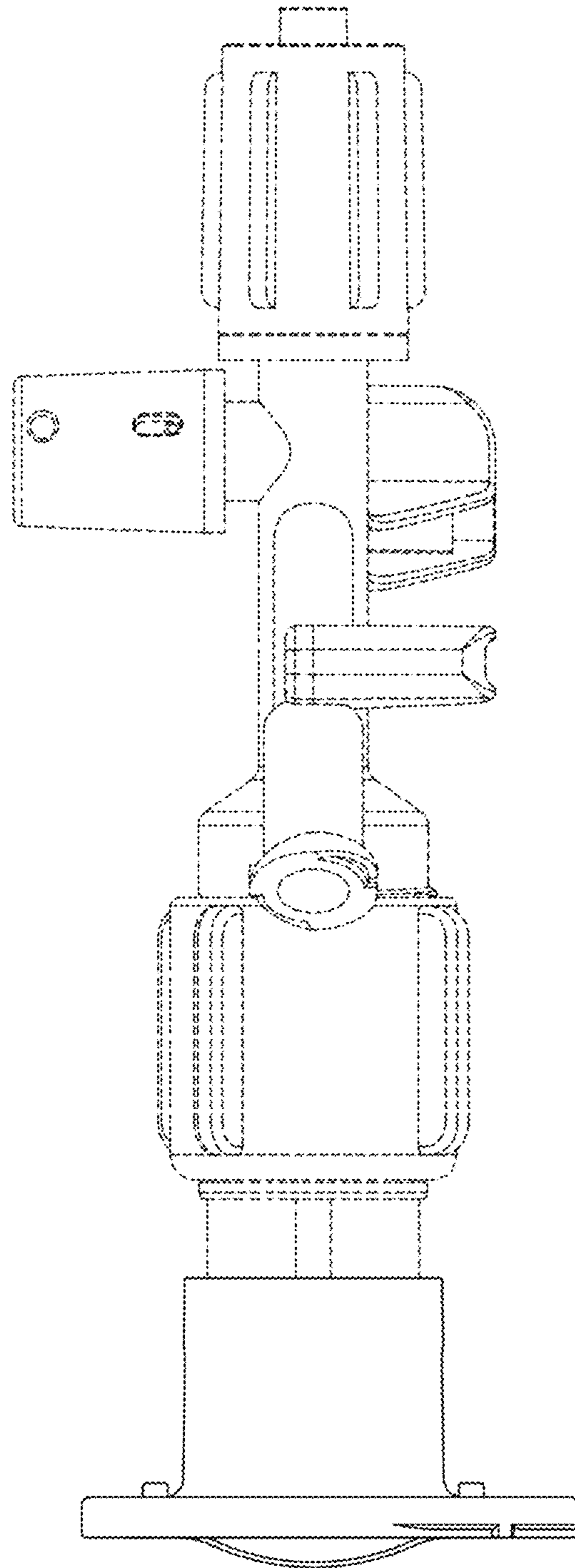


FIG. 5

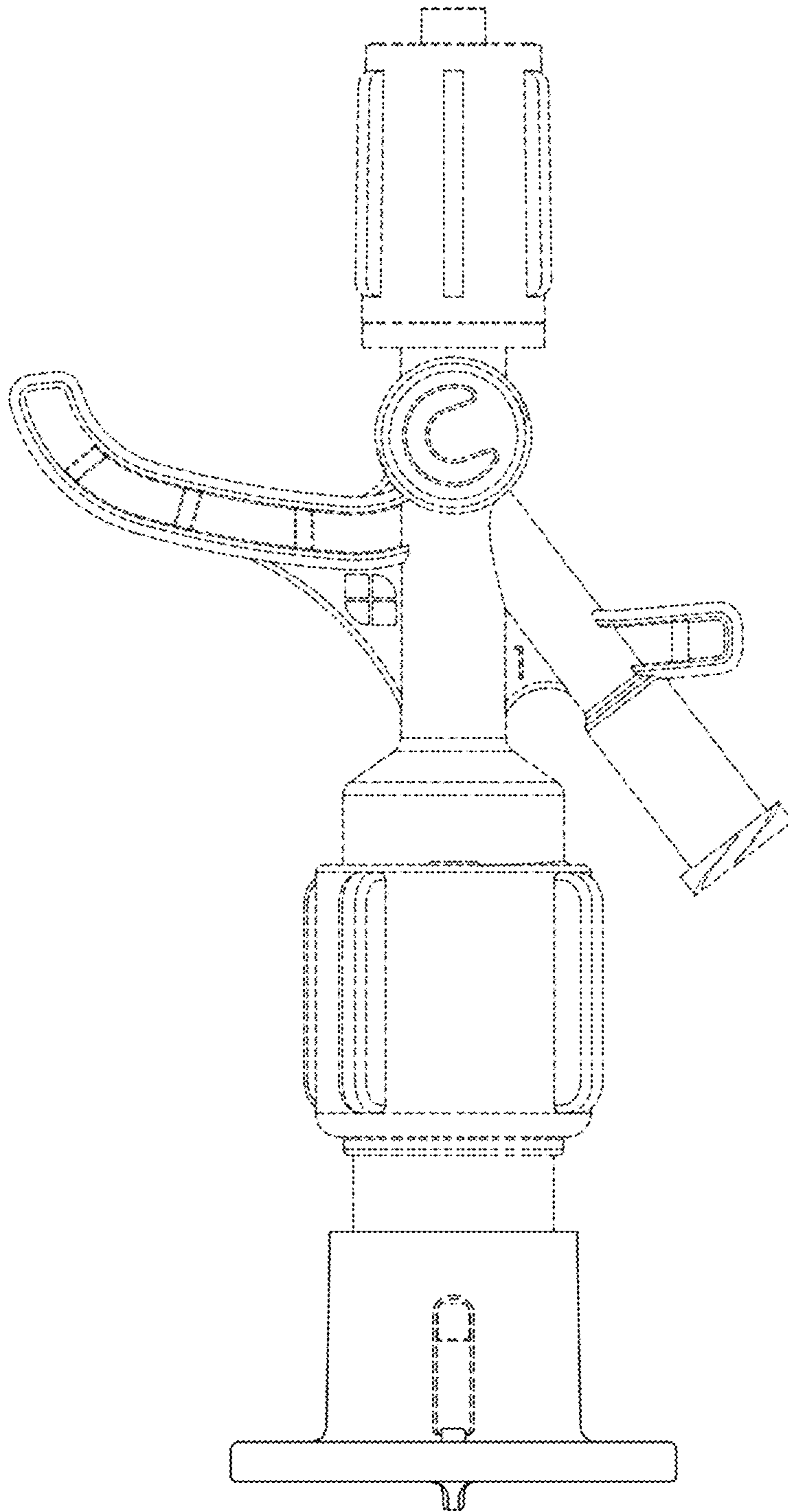


FIG. 6

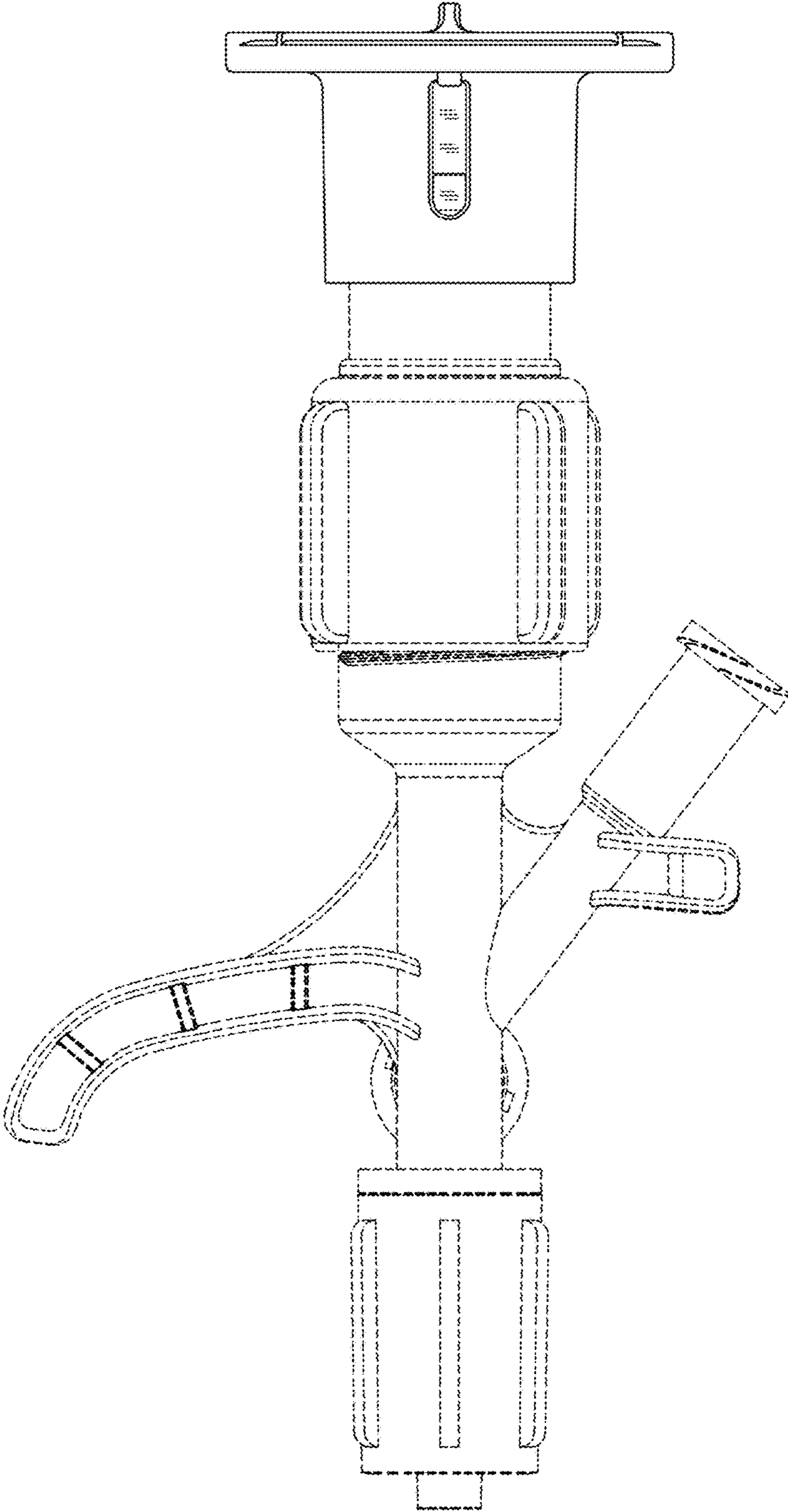


FIG. 7

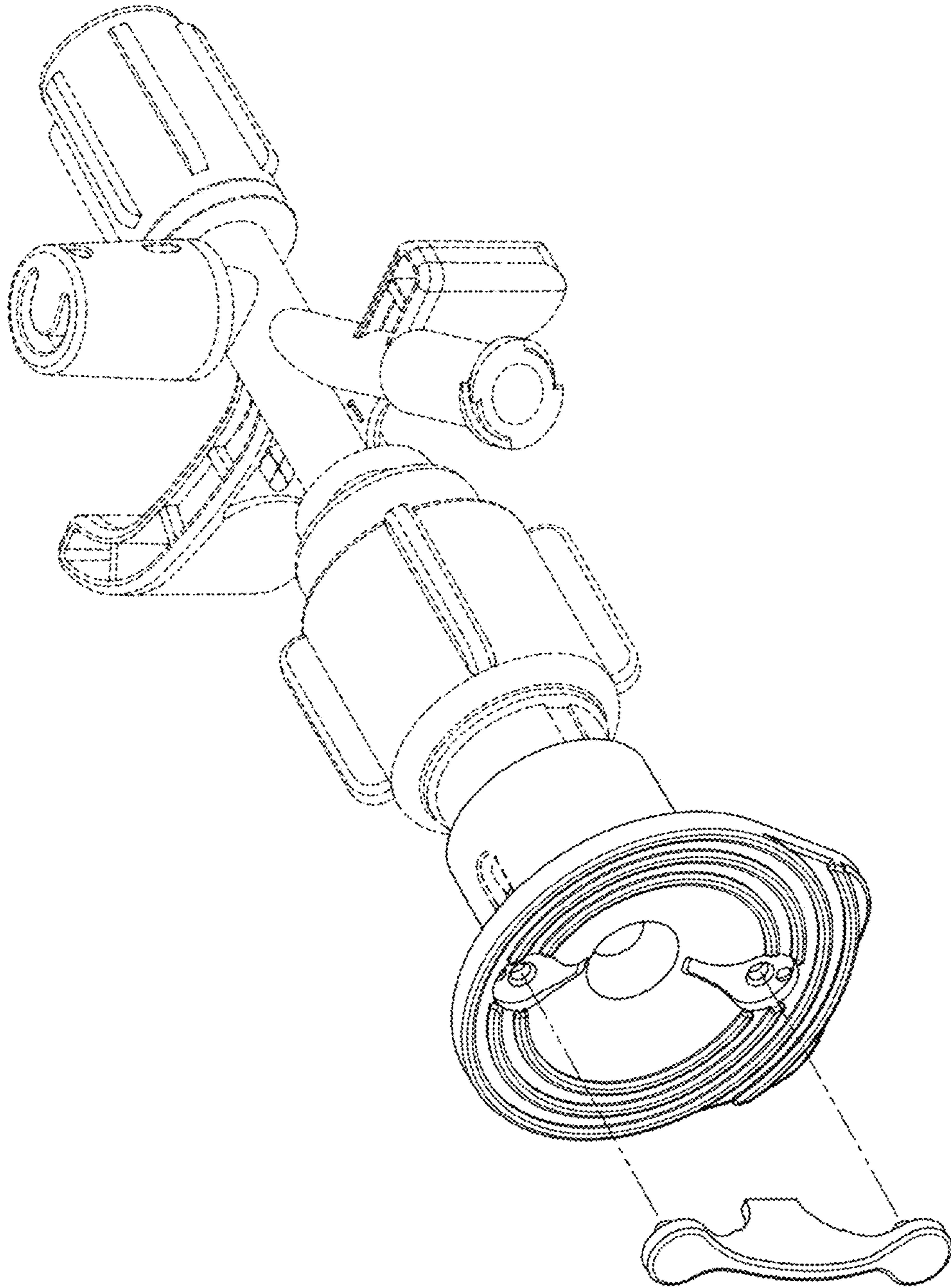


FIG. 8