



US00D979065S

(12) **United States Design Patent** (10) **Patent No.:** **US D979,065 S**
Wang (45) **Date of Patent:** **** Feb. 21, 2023**

(54) **ELECTRONIC SPHYGMOMANOMETER**

OTHER PUBLICATIONS

(71) Applicant: **Shenzhen Jamr Technology Co., Ltd.**,
Shenzhen (CN)

(72) Inventor: **Liming Wang**, Shenzhen (CN)

(73) Assignee: **Shenzhen Jamr Technology Co., Ltd.**,
Shenzhen (CN)

(**) Term: **15 Years**

(21) Appl. No.: **29/780,651**

(22) Filed: **Apr. 26, 2021**

(51) **LOC (14) Cl.** **24-02**

(52) **U.S. Cl.**
USPC **D24/165**

(58) **Field of Classification Search**
USPC D24/165–168, 107, 186–187; D14/344
CPC A61B 5/0404; A61B 5/021; A61B 5/024;
A61B 5/02438; A61B 5/681; A61B
5/0402; A61B 2560/0462

See application file for complete search history.

(56) **References Cited**

U.S. PATENT DOCUMENTS

D569,978 S *	5/2008	Eda	D24/165
D577,440 S *	9/2008	Ferber	D24/165
D700,341 S *	2/2014	Uozumi	D24/165
D717,439 S *	11/2014	Noguchi	D24/165
D722,165 S *	2/2015	Pukall	D24/165
D739,938 S *	9/2015	Schempp	D24/165
D802,768 S *	11/2017	Rider	D24/165
D850,622 S *	6/2019	Noguchi	D24/165
D861,875 S *	10/2019	Nishiyama	D24/165
D862,702 S *	10/2019	Nishiyama	D24/165
D922,581 S *	6/2021	Wang	D24/165
D942,628 S *	2/2022	Dai	D24/165
2022/0248964 A1 *	8/2022	Ishihara	A61B 5/7455

JAMR Arm Blood Pressure Monitor Online Product Catalogue, posted at jamrmed.com, no posting date, retrieved Sep. 20, 2022, online, URL: <http://www.jamrmed.com/col.jsp?id=124> (Year: 2022).*
Sinocare Blood Pressure Monitor, posted on amazon.com, Dec. 3, 2019, retrieved Sep. 20, 2022, online, URL: [https://www.amazon.com/Sinocare-Pressure-Monitor-Automatic-Function/dp/B089T37MMH/ref=sr_1_6?crd=2AQB3YNQCUSZG&keywords=sinocare+blood+pressure+monitor&qid=\(Year: 2019\).](https://www.amazon.com/Sinocare-Pressure-Monitor-Automatic-Function/dp/B089T37MMH/ref=sr_1_6?crd=2AQB3YNQCUSZG&keywords=sinocare+blood+pressure+monitor&qid=(Year: 2019).)*

* cited by examiner

Primary Examiner — Mary Shannon Malley
Assistant Examiner — Michelle Marquart Christeon
(74) *Attorney, Agent, or Firm* — ScienBiziP, P.C.

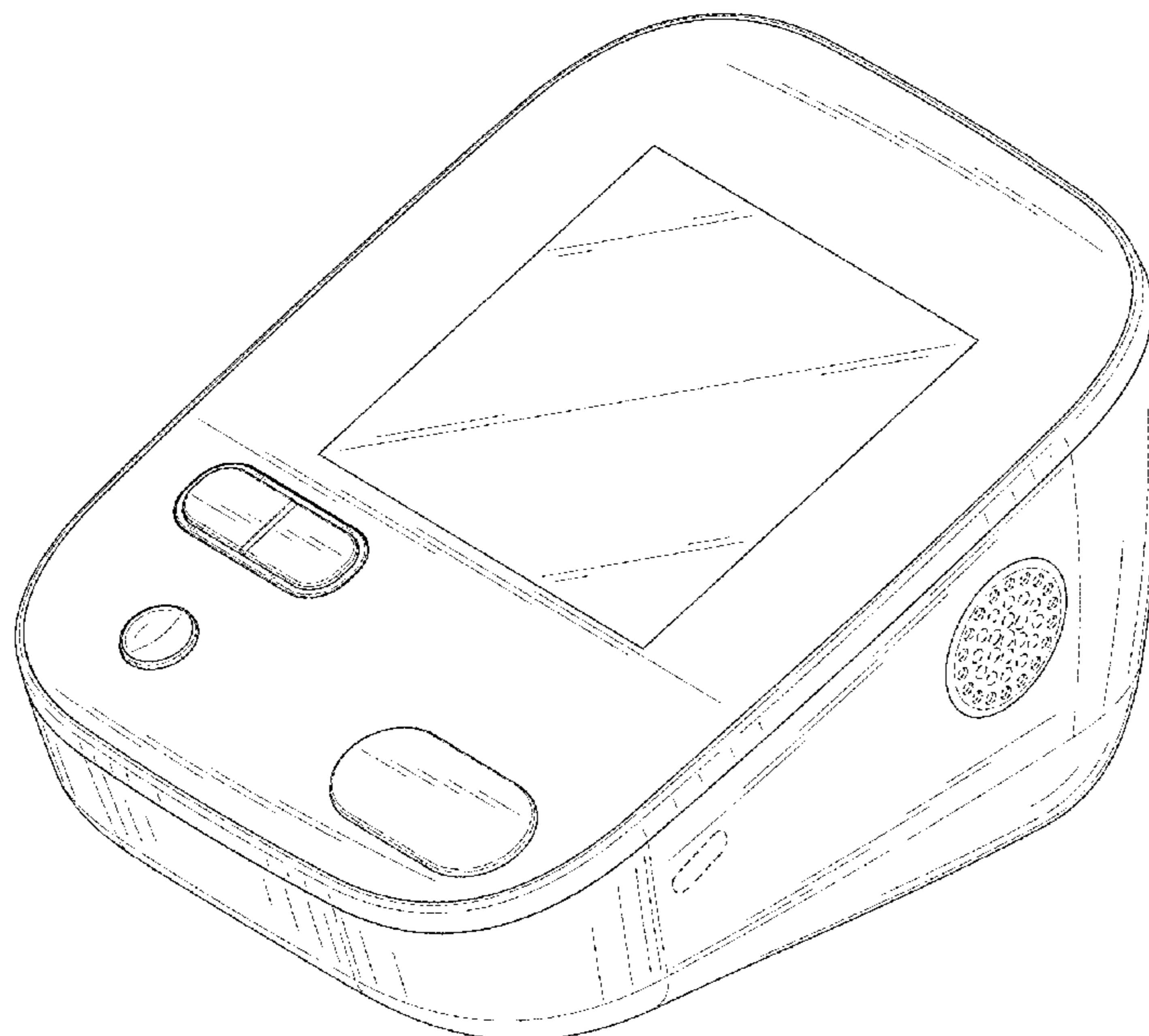
(57) **CLAIM**

The ornamental design for an electronic sphygmomanometer, as shown and described.

DESCRIPTION

FIG. 1 is a front, right, and top perspective view of an electronic sphygmomanometer, showing my design.
FIG. 2 is a rear, left, and bottom perspective view thereof.
FIG. 3 is a front elevation view thereof.
FIG. 4 is a rear elevation view thereof.
FIG. 5 is a left side elevation view thereof.
FIG. 6 is a right side elevation view thereof.
FIG. 7 is a top plan view thereof; and,
FIG. 8 is a bottom plan view thereof.
The broken lines shown in the drawings are included for the purpose of illustrating portions of the electronic sphygmomanometer that form no part of the claimed design.

1 Claim, 8 Drawing Sheets



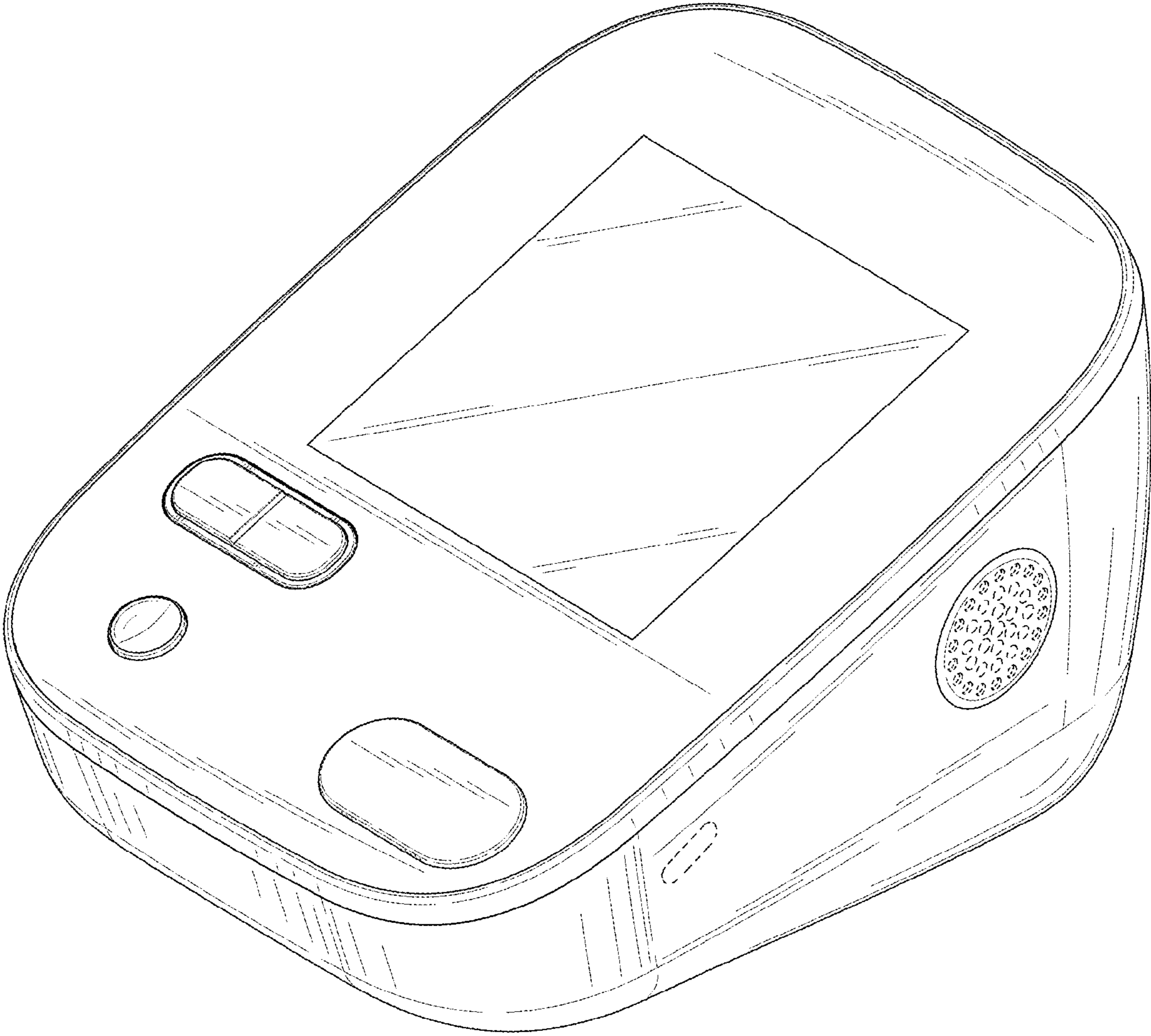


FIG. 1

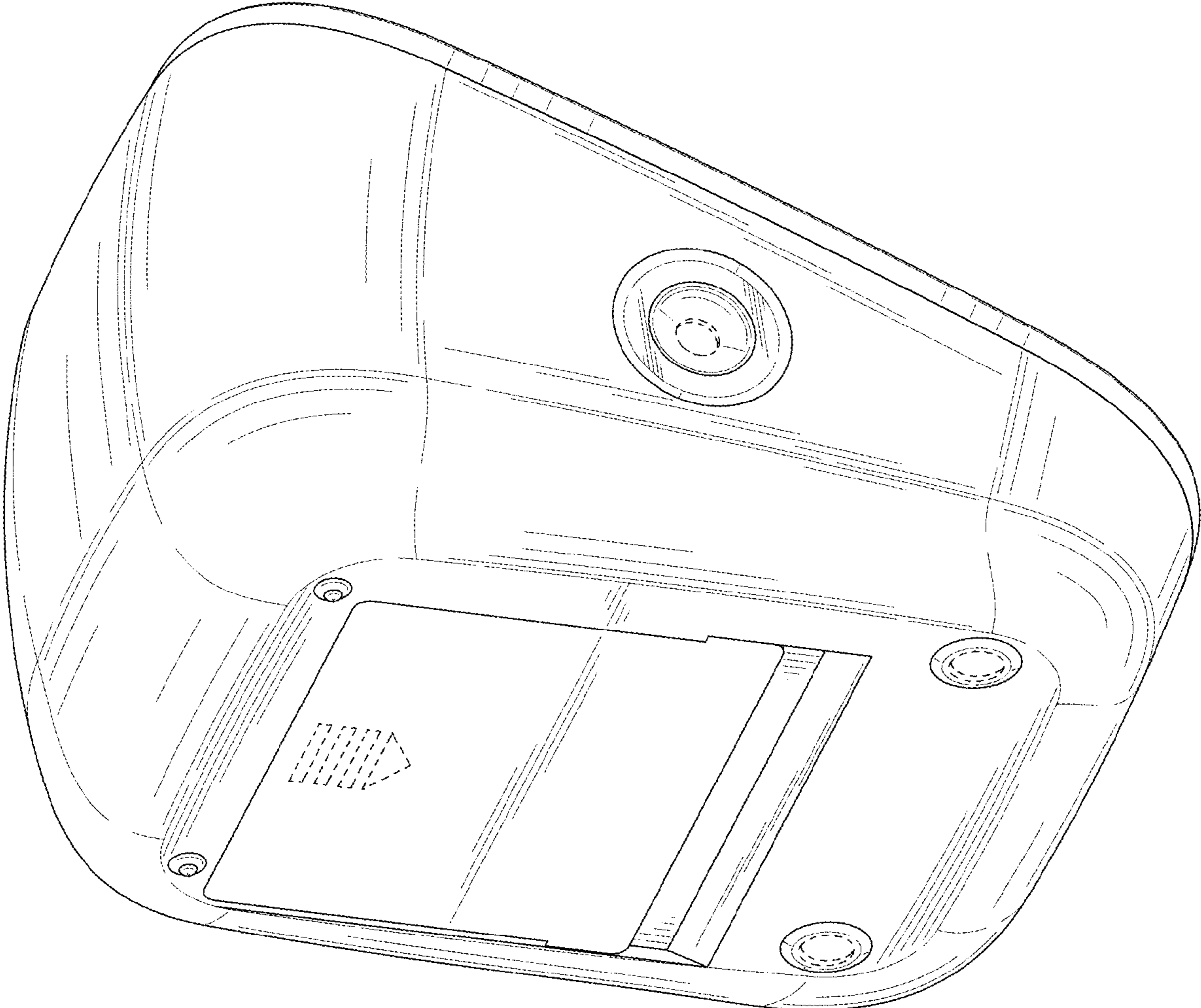


FIG. 2

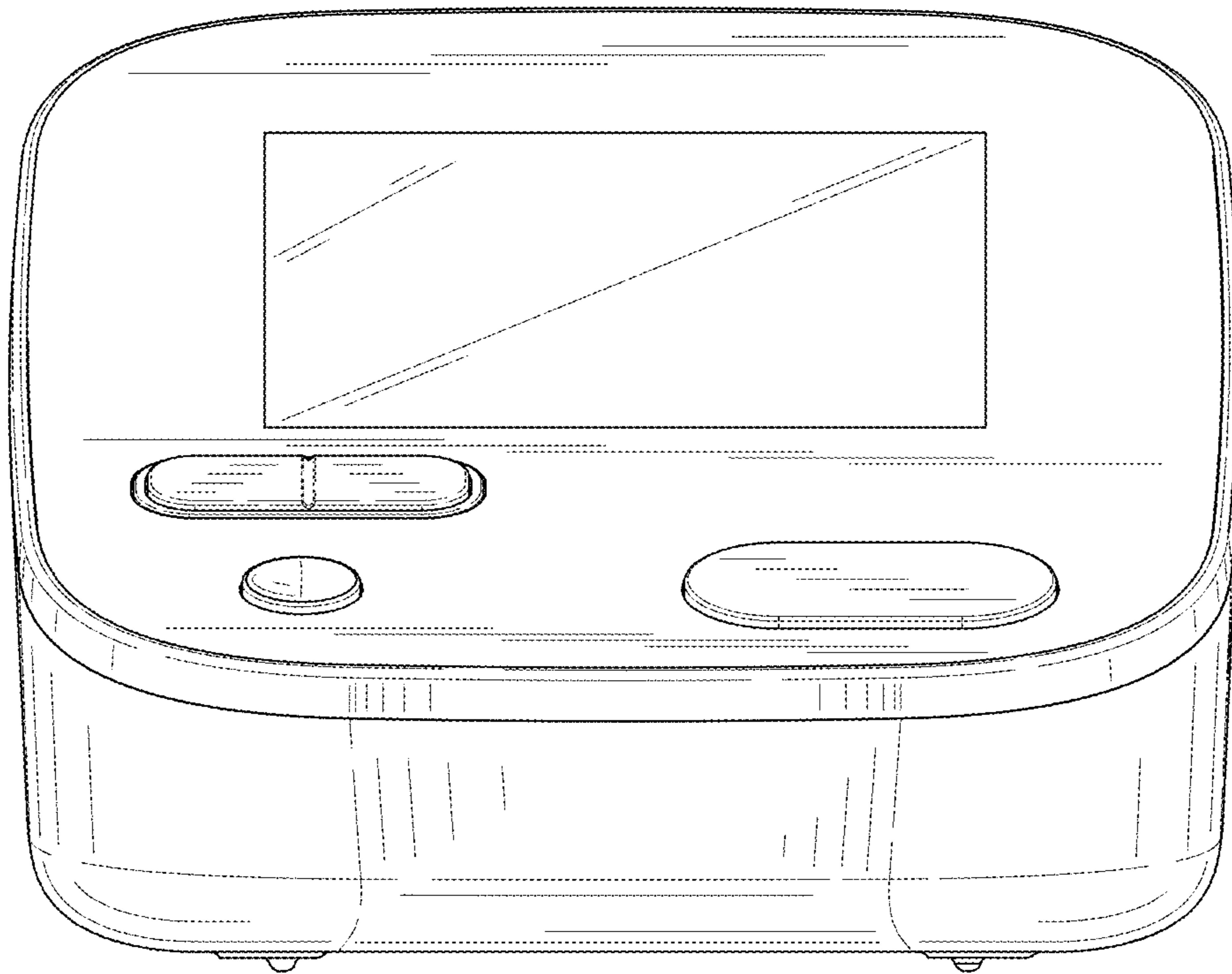


FIG. 3

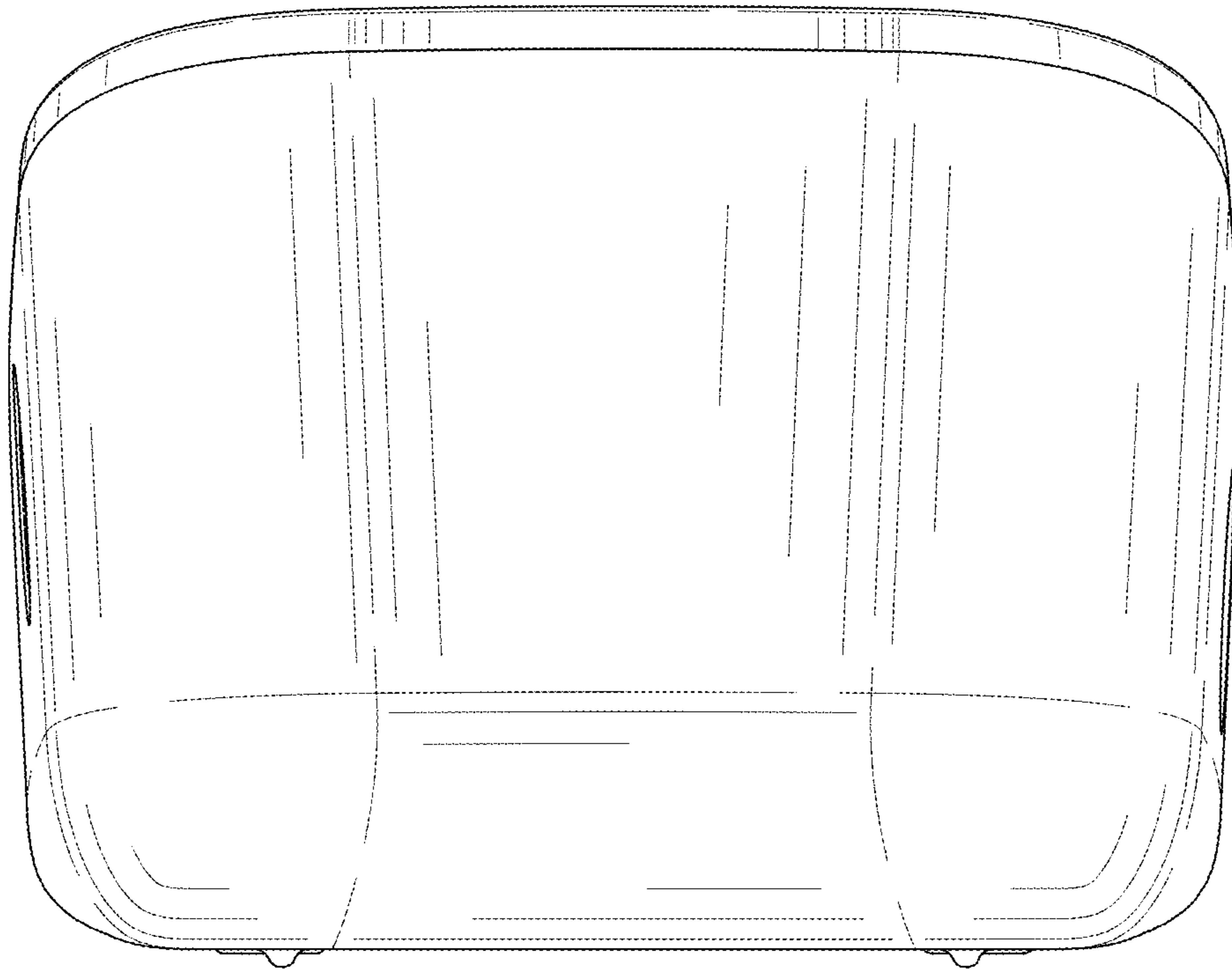


FIG. 4

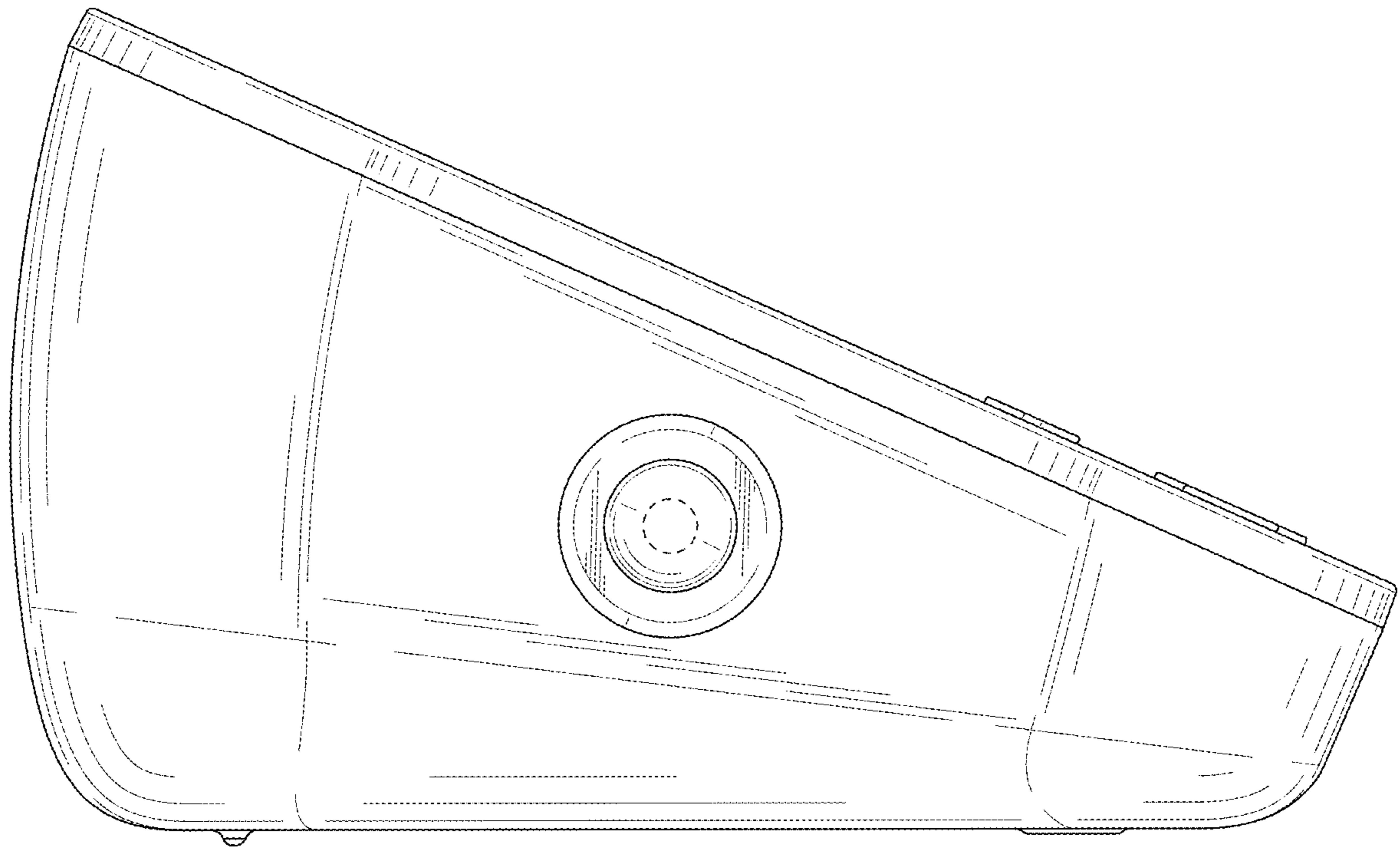


FIG. 5

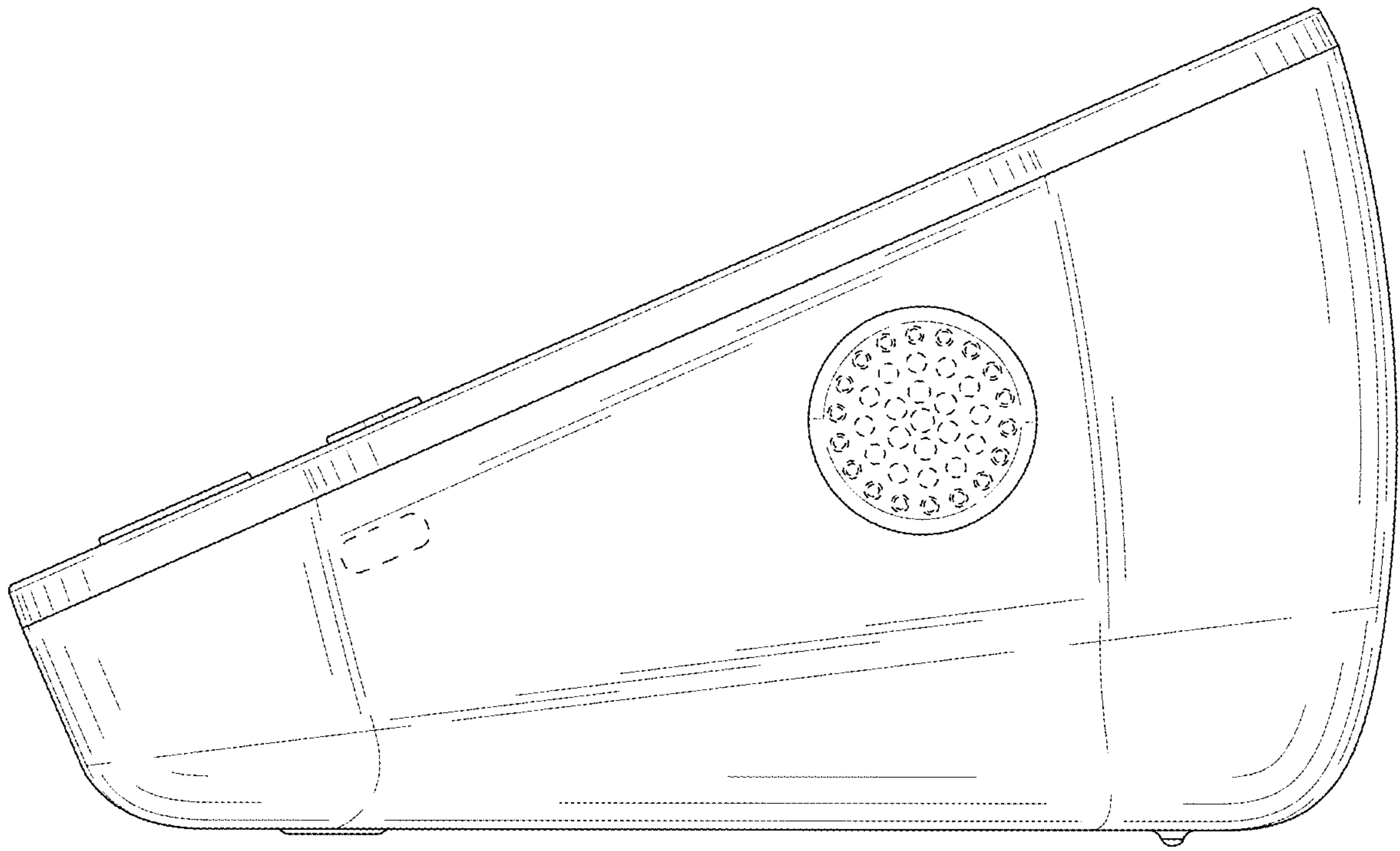


FIG. 6

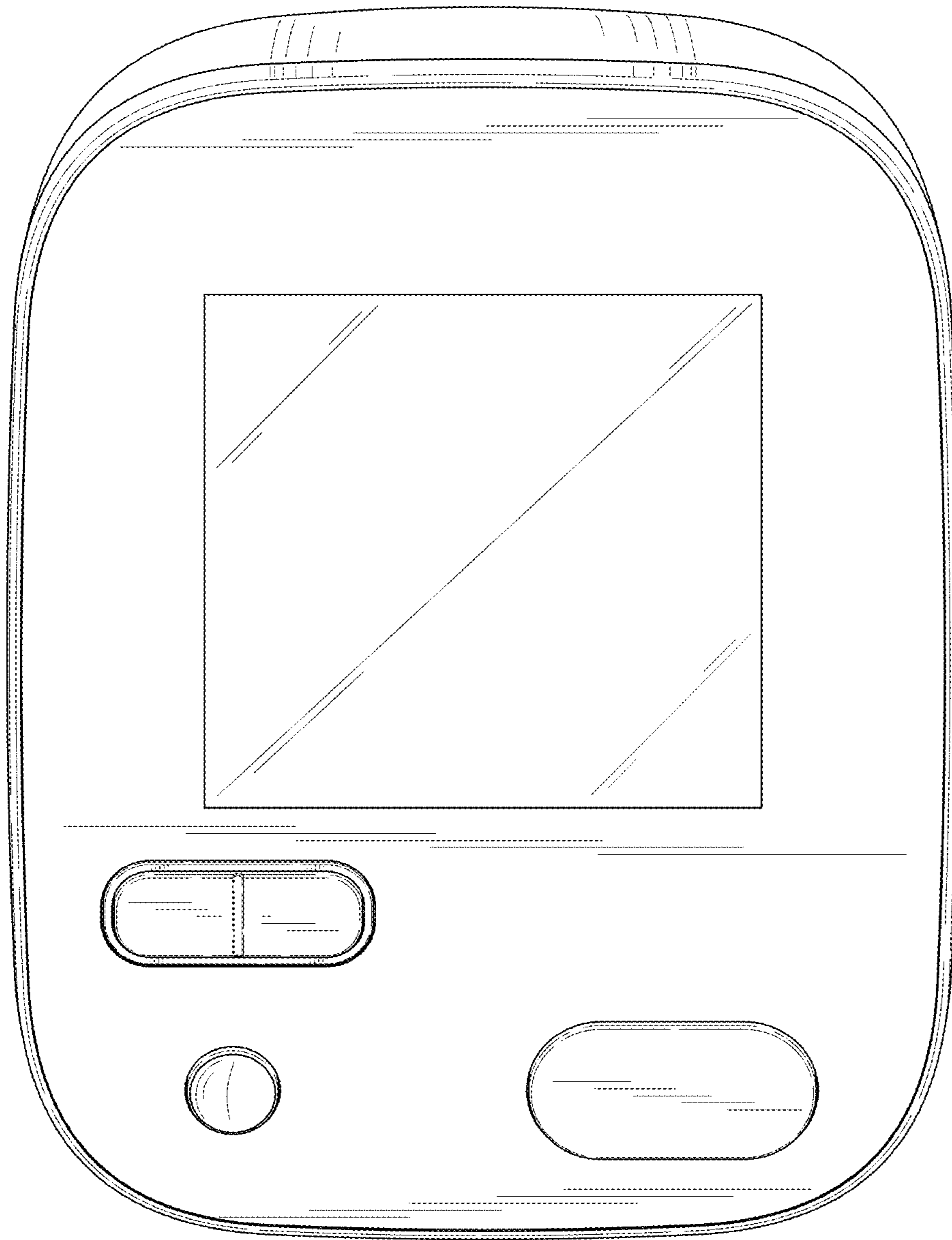


FIG. 7

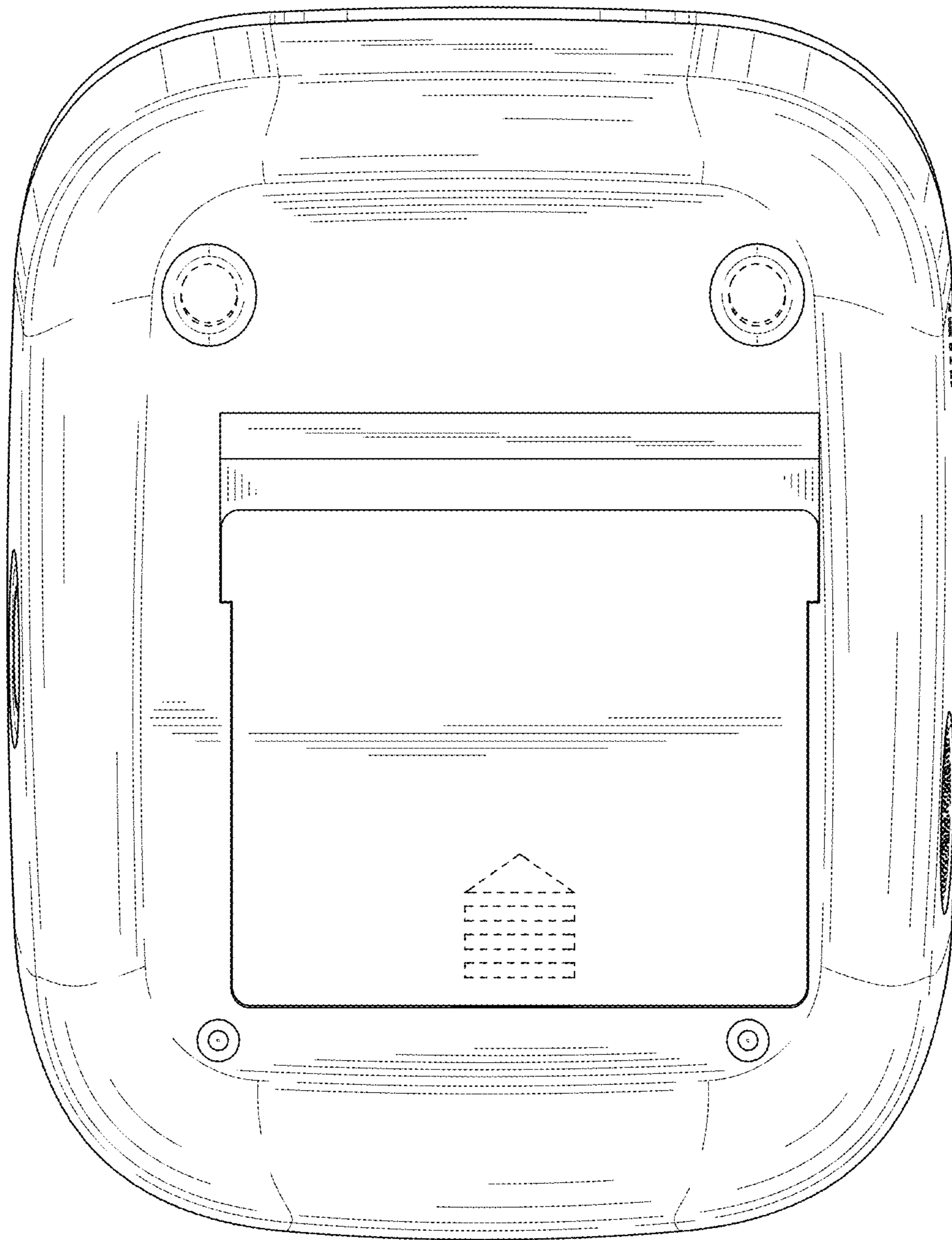


FIG. 8