



US00D979064S

(12) **United States Design Patent** (10) **Patent No.:** **US D979,064 S**
Wang (45) **Date of Patent:** **** Feb. 21, 2023**

(54) **ELECTRONIC SPHYGMOMANOMETER**

FOREIGN PATENT DOCUMENTS

(71) Applicant: **Shenzhen Jamr Technology Co., Ltd.**,
Shenzhen (CN)

CN 306934933 * 11/2021

(72) Inventor: **Liming Wang**, Shenzhen (CN)

(73) Assignee: **Shenzhen Jamr Technology Co., Ltd.**,
Shenzhen (CN)

(**) Term: **15 Years**

(21) Appl. No.: **29/780,105**

(22) Filed: **Apr. 22, 2021**

(51) **LOC (14) Cl.** **24-02**

(52) **U.S. Cl.**
USPC **D24/165**

(58) **Field of Classification Search**
USPC D24/165-168, 107, 186-187; D14/344
CPC A01B 5/0404; A01B 5/021; A01B 5/024;
A01B 5/02438; A01B 5/681; A01B
5/0402; A01B 2560/0462

See application file for complete search history.

(56) **References Cited**

U.S. PATENT DOCUMENTS

D377,983 S *	2/1997	Sabri	D24/167
D589,150 S *	3/2009	Kato	D24/167
D654,593 S *	2/2012	Kawasaki	D24/165
D717,442 S *	11/2014	Kaib	D24/167
D745,167 S *	12/2015	Canas	D24/186
D812,760 S *	3/2018	Herman	D24/186
D854,162 S *	7/2019	Rihu	D24/167
D854,433 S *	7/2019	Vandenbussche	D10/70
D922,580 S *	6/2021	Cao	D24/165
D922,581 S *	6/2021	Wang	D24/165
D942,013 S *	1/2022	Heusdens	D24/167
D961,087 S *	8/2022	Wang	D24/165

OTHER PUBLICATIONS

JAMR Arm Blood Pressure Monitor Online Product Catalogue, posted at jamrmed.com, no posting date, retrieved Sep. 20, 2022, online, URL: <http://www.jamrmed.com/col.jsp?id=124> (Year: 2022).*
Bing reverse image search for NPL reference "LCD Memory Blood Pressure Monitor", first found on bing.com, Jun. 21, 2018, retrieved Sep. 29, 2022, online, URL: https://www.bing.com/images/search?view=detailV2&insightstoken=bcid_Tk3-6Updq7UEGg*ccid_Tf7pSI2r&form=SBIIRP&iss=VSI&sbisrc=ImgPaste&idpbck=1&sbifsz=1 (Year: 2018).*

(Continued)

Primary Examiner — Mary Shannon Malley
Assistant Examiner — Michelle Marquart Christeon
(74) *Attorney, Agent, or Firm* — ScienBiziP, P.C.

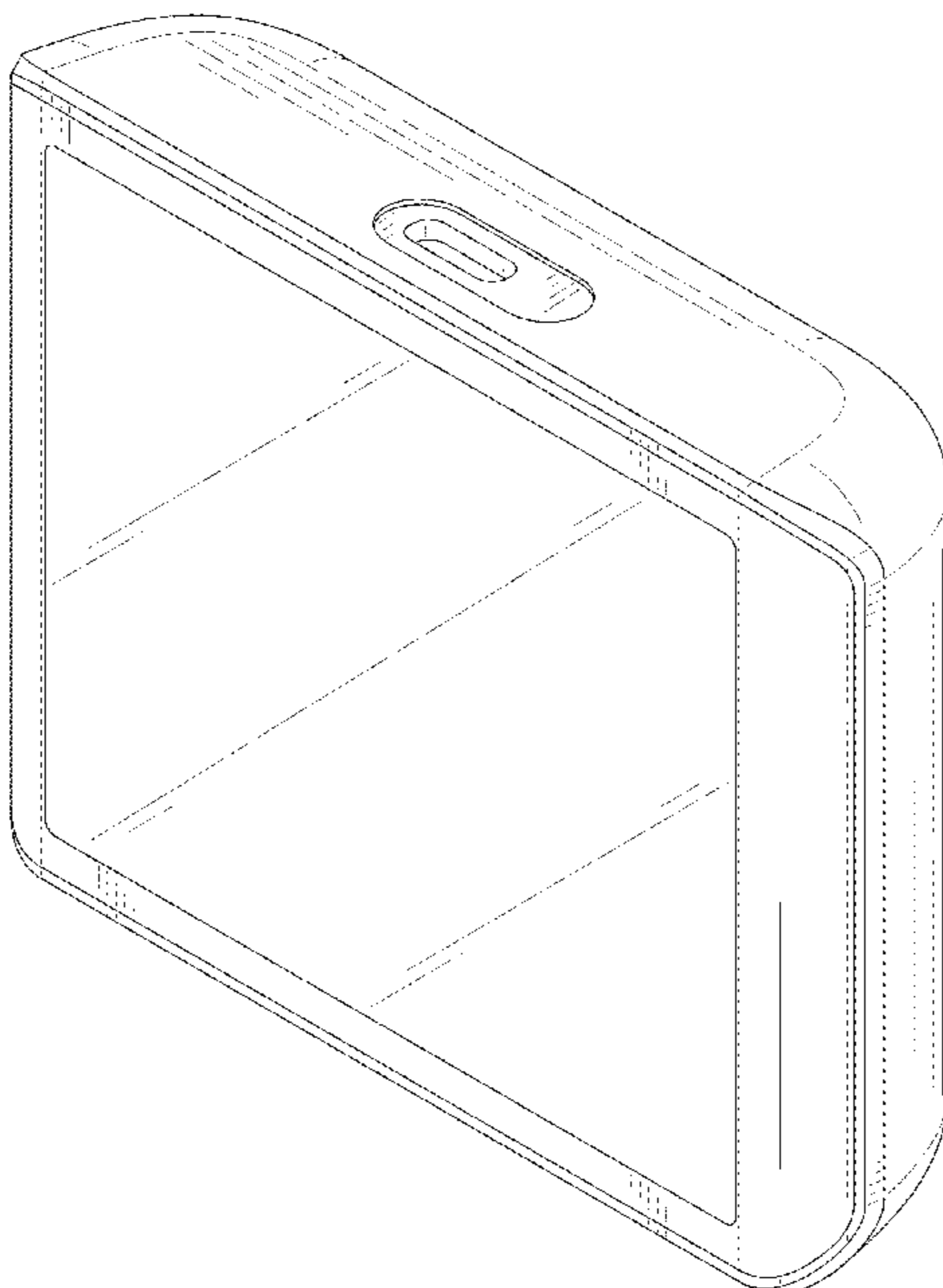
(57) **CLAIM**

The ornamental design for an electronic sphygmomanometer, as shown and described.

DESCRIPTION

FIG. 1 is a front, right, and top perspective view of an electronic sphygmomanometer, showing my design.
FIG. 2 is a rear, left, and top perspective view thereof.
FIG. 3 is a front elevation view thereof.
FIG. 4 is a rear elevation view thereof.
FIG. 5 is a left side elevation view thereof.
FIG. 6 is a right side elevation view thereof.
FIG. 7 is a top plan view thereof; and,
FIG. 8 is a bottom plan view thereof.
The broken lines shown in the drawings are included for the purpose of illustrating portions of the electronic sphygmomanometer that form no part of the claimed design.

1 Claim, 8 Drawing Sheets



(56)

References Cited

OTHER PUBLICATIONS

JAMR C01L Blood Pressure Monitor, posted on ifdesign.com, 2019, retrieved Sep. 22, 2022, online, URL: <https://ifdesign.com/en/winner-ranking/project/intelligent-blood-pressure-monitor-c01l/272157> (Year: 2019).*

LCD Memory Blood Pressure Monitor, posted on alibaba.com, Jun. 30, 2019, retrieved Sep. 29, 2022, online, URL: <https://detail.1688.com/offer/583078052237.html>(Year: 2019).*

* cited by examiner

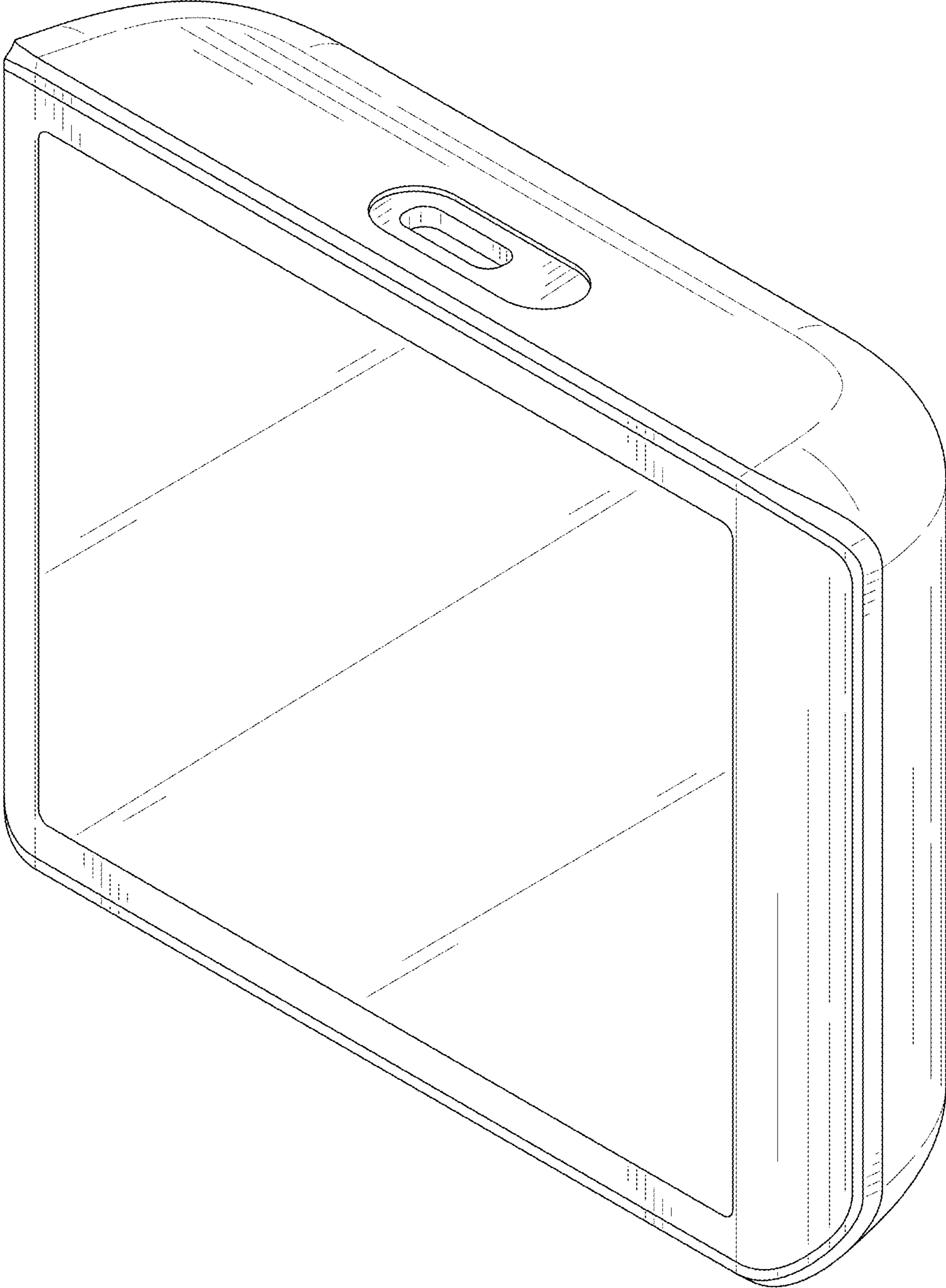


FIG. 1

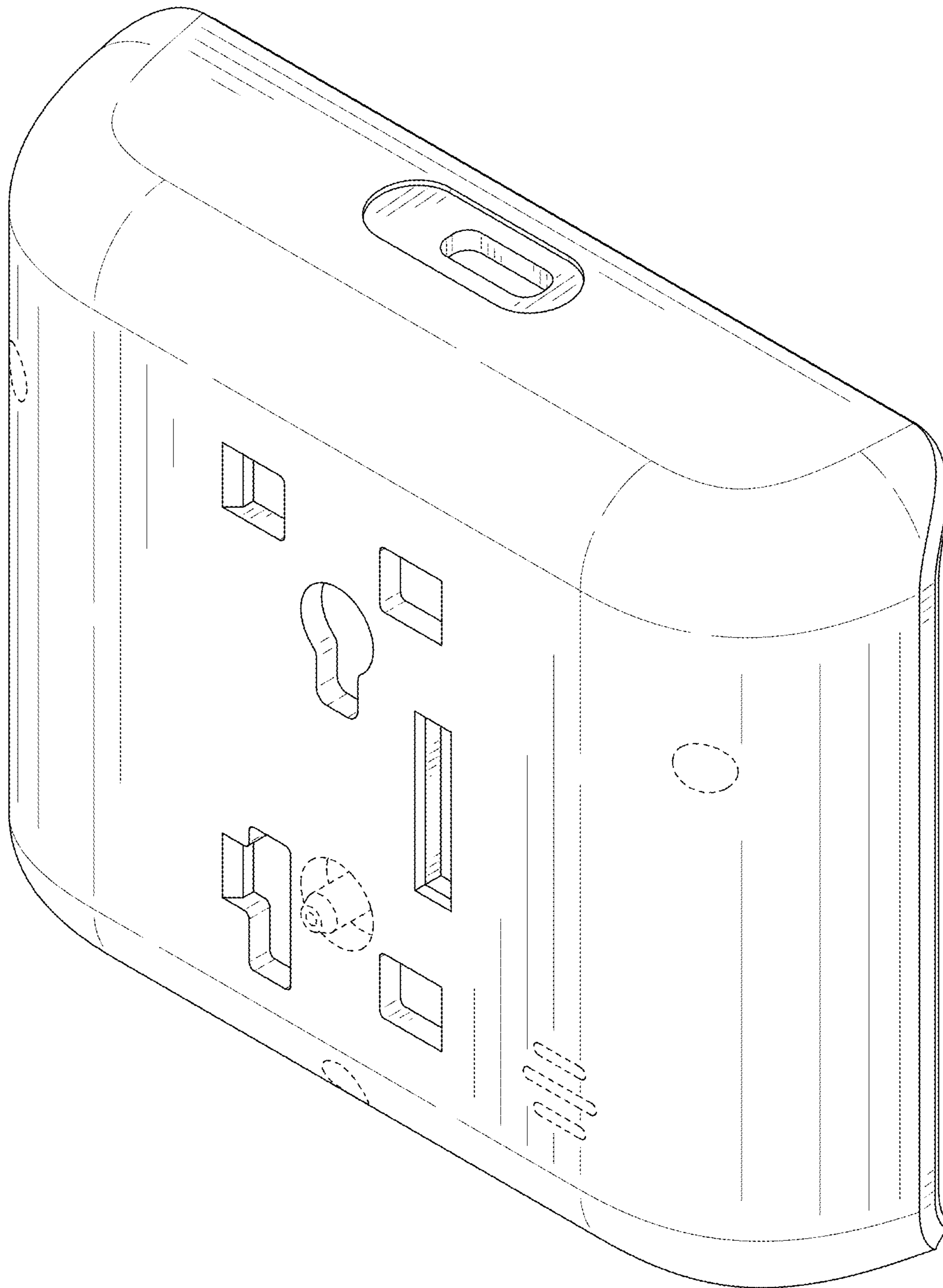


FIG. 2

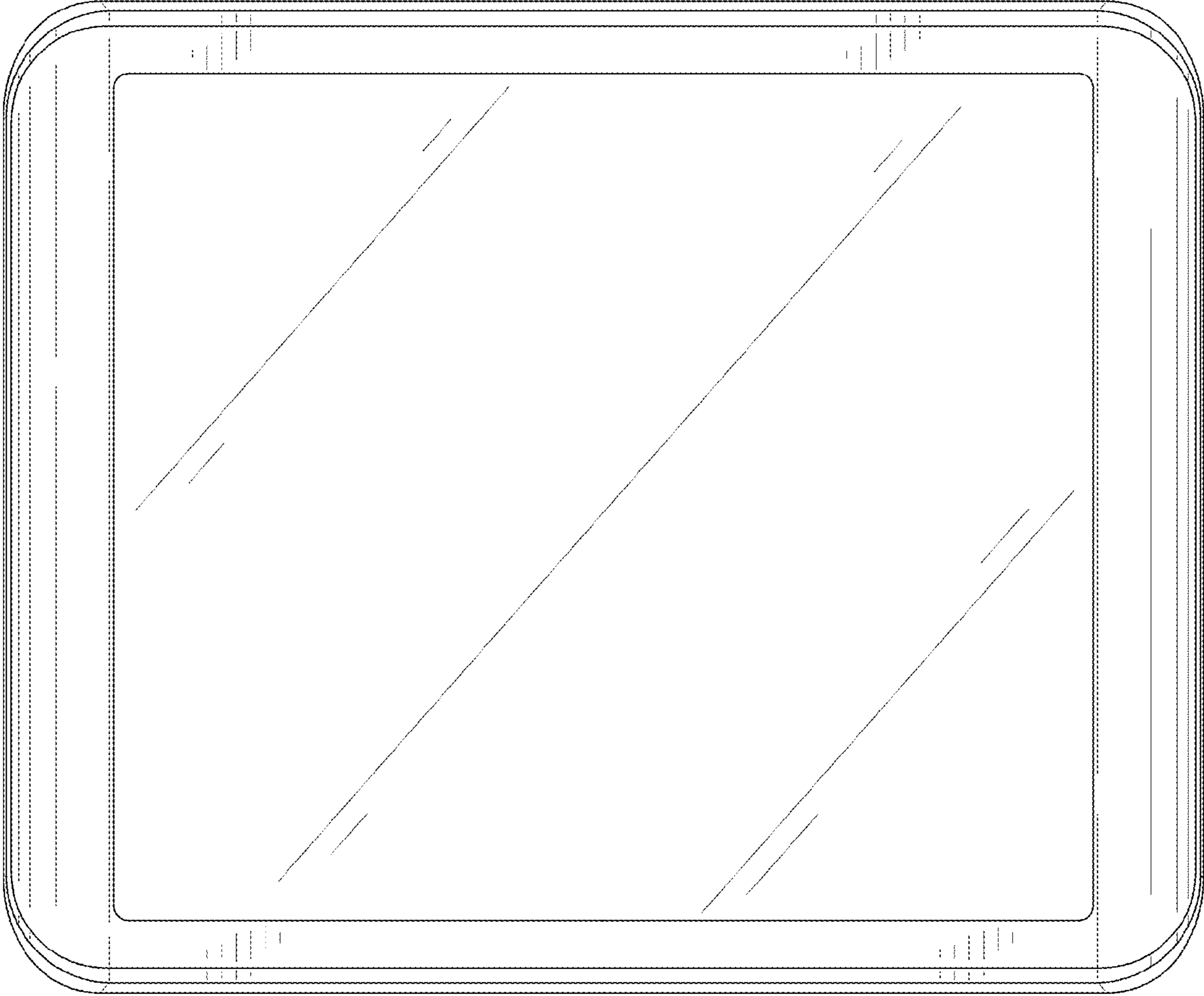


FIG. 3

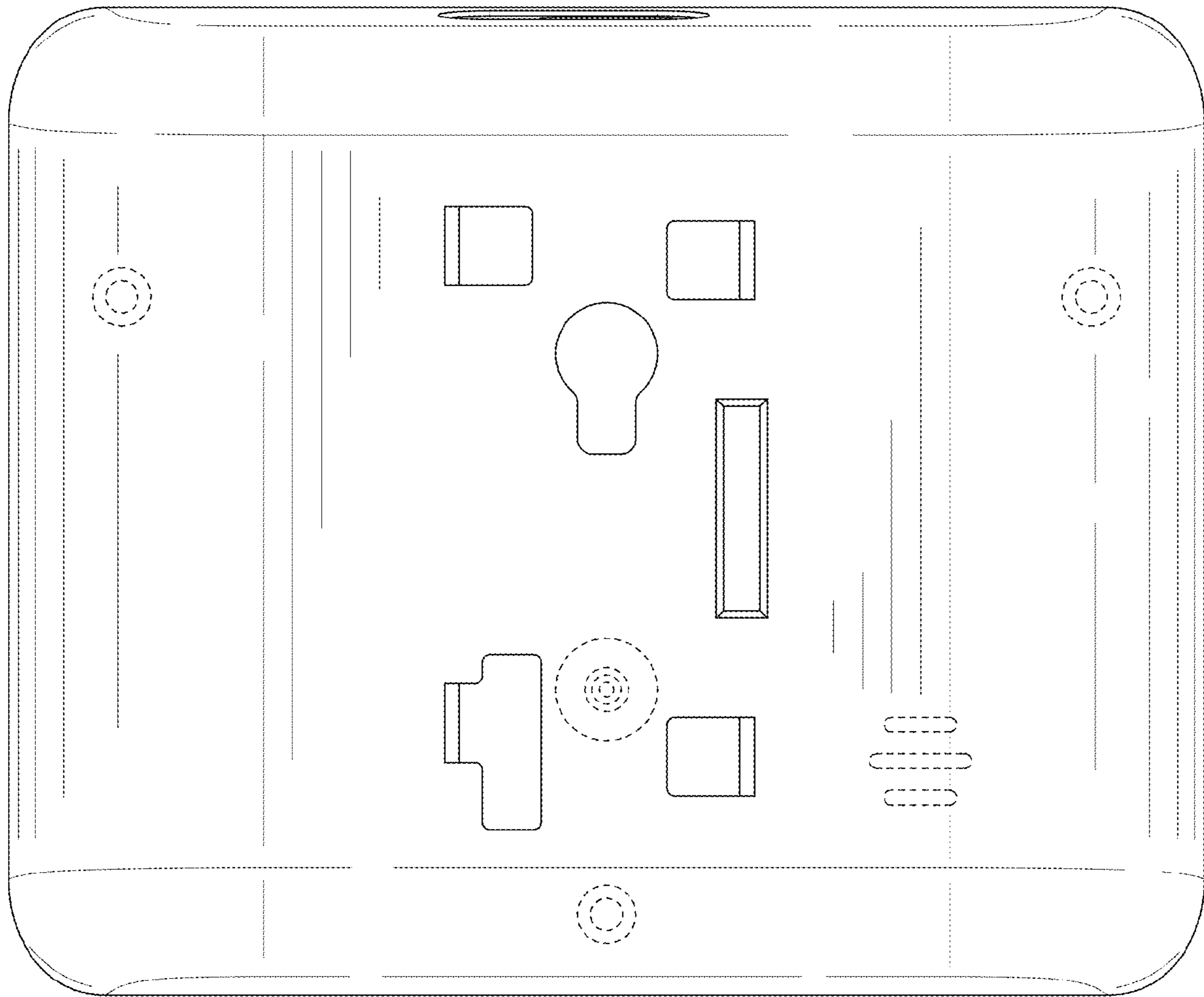


FIG. 4

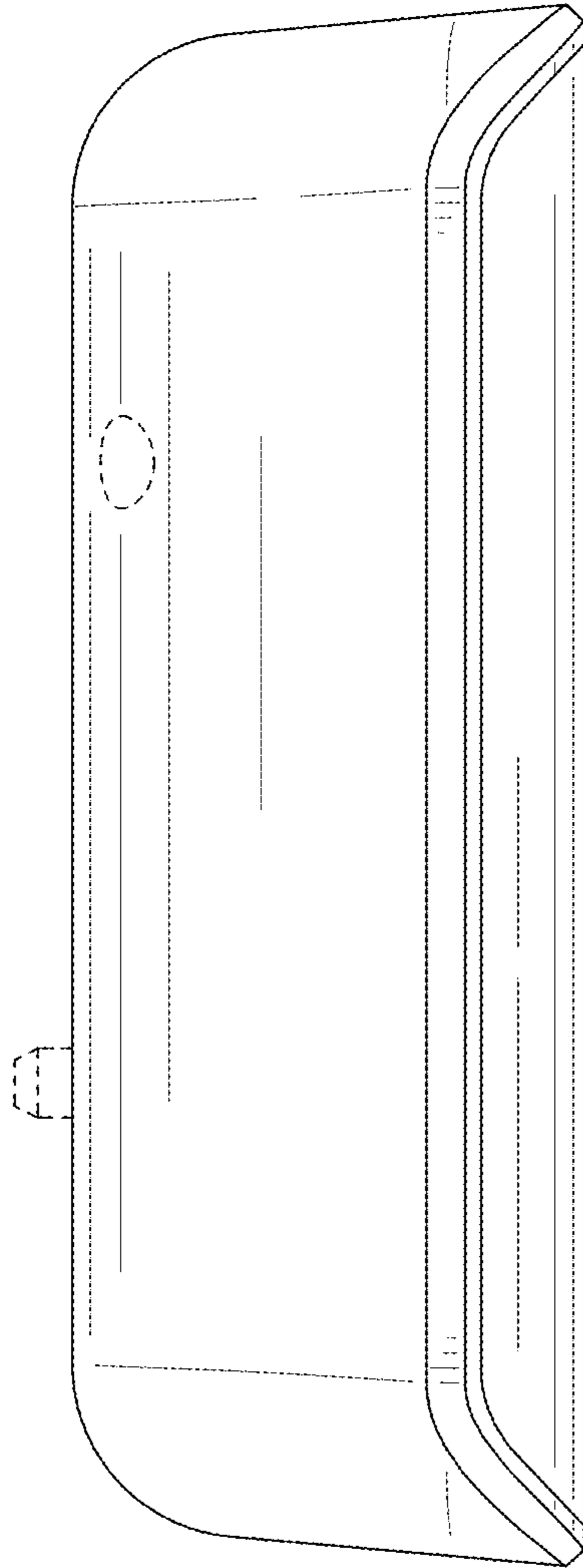


FIG. 5



FIG. 6

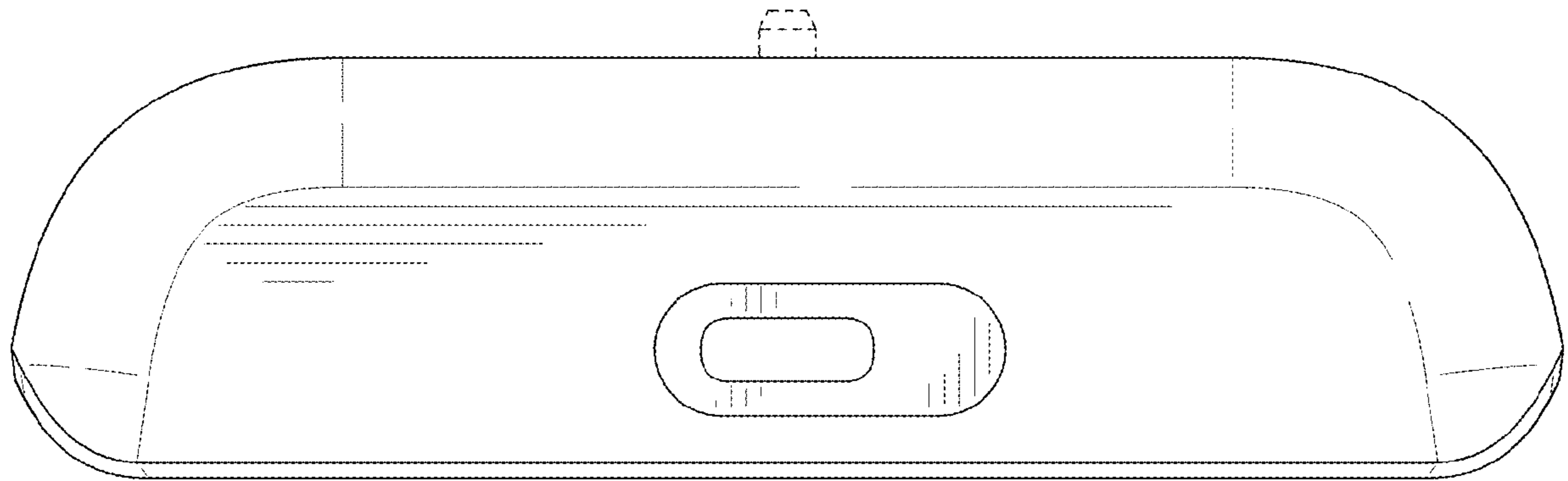


FIG. 7

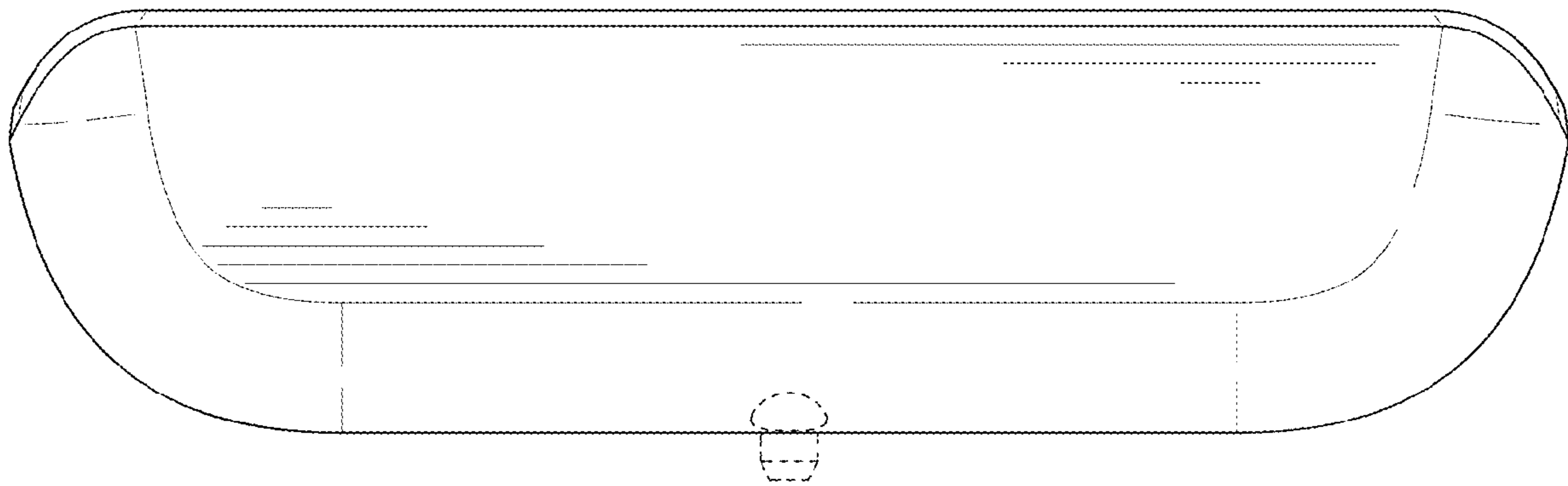


FIG. 8