



US00D979063S

(12) **United States Design Patent** (10) **Patent No.:** **US D979,063 S**
Refai (45) **Date of Patent:** **** Feb. 21, 2023**

(54) **SPINAL CAGE**

8,100,972 B1 1/2012 Bruffey et al.
8,268,000 B2 9/2012 Waugh et al.
D720,458 S * 12/2014 Hagenmeyer D24/155
(Continued)

(71) Applicant: **REFAI TECHNOLOGIES, LLC,**
Atlanta, GA (US)

(72) Inventor: **Daniel Refai,** Atlanta, GA (US)

FOREIGN PATENT DOCUMENTS

(73) Assignee: **REFAI TECHNOLOGIES, LLC,**
Atlanta, GA (US)

FR 2822674 10/2002
WO 20120121726 9/2012

(**) Term: **15 Years**

OTHER PUBLICATIONS

(21) Appl. No.: **29/864,748**

Extended European Search Report issued in European Patent Appli-
cation No. 15755595.4 dated Oct. 30, 2017.

(22) Filed: **Jun. 16, 2022**

(Continued)

Related U.S. Application Data

(63) Continuation of application No. 29/802,289, filed on
Aug. 4, 2021, now Pat. No. Des. 958,367, which is a
continuation of application No. 16/281,842, filed on
Feb. 21, 2019, now Pat. No. 11,083,594, which is a
continuation of application No. 15/121,088, filed as
application No. PCT/US2015/017080 on Feb. 23,
2015, now Pat. No. 10,213,318.

Primary Examiner — Charles D Hanson

(74) *Attorney, Agent, or Firm* — Heslin Rothenberg
Farley & Mesiti P.C

(51) **LOC (14) Cl.** **24-03**

(52) **U.S. Cl.**
USPC **D24/155**

(58) **Field of Classification Search**
USPC D24/155
CPC A61F 2/4611; A61F 2/442; A61F 2/447
See application file for complete search history.

(57) **CLAIM**

The ornamental design for a spinal cage, as shown and
described.

DESCRIPTION

FIG. 1 is a front, top perspective view of a spinal cage
comprising the new design;
FIG. 2 is a back, bottom perspective view of the design of
FIG. 1;
FIG. 3 is a front elevational view of the design of FIG. 1;
FIG. 4 is a back elevational view of the design of FIG. 1;
FIG. 5 is a top view of the design of FIG. 1;
FIG. 6 is a bottom view of the design of FIG. 1;
FIG. 7 is a left side elevational of the design of FIG. 1; and,
FIG. 8 is a right side elevational view of the design of FIG.
1.

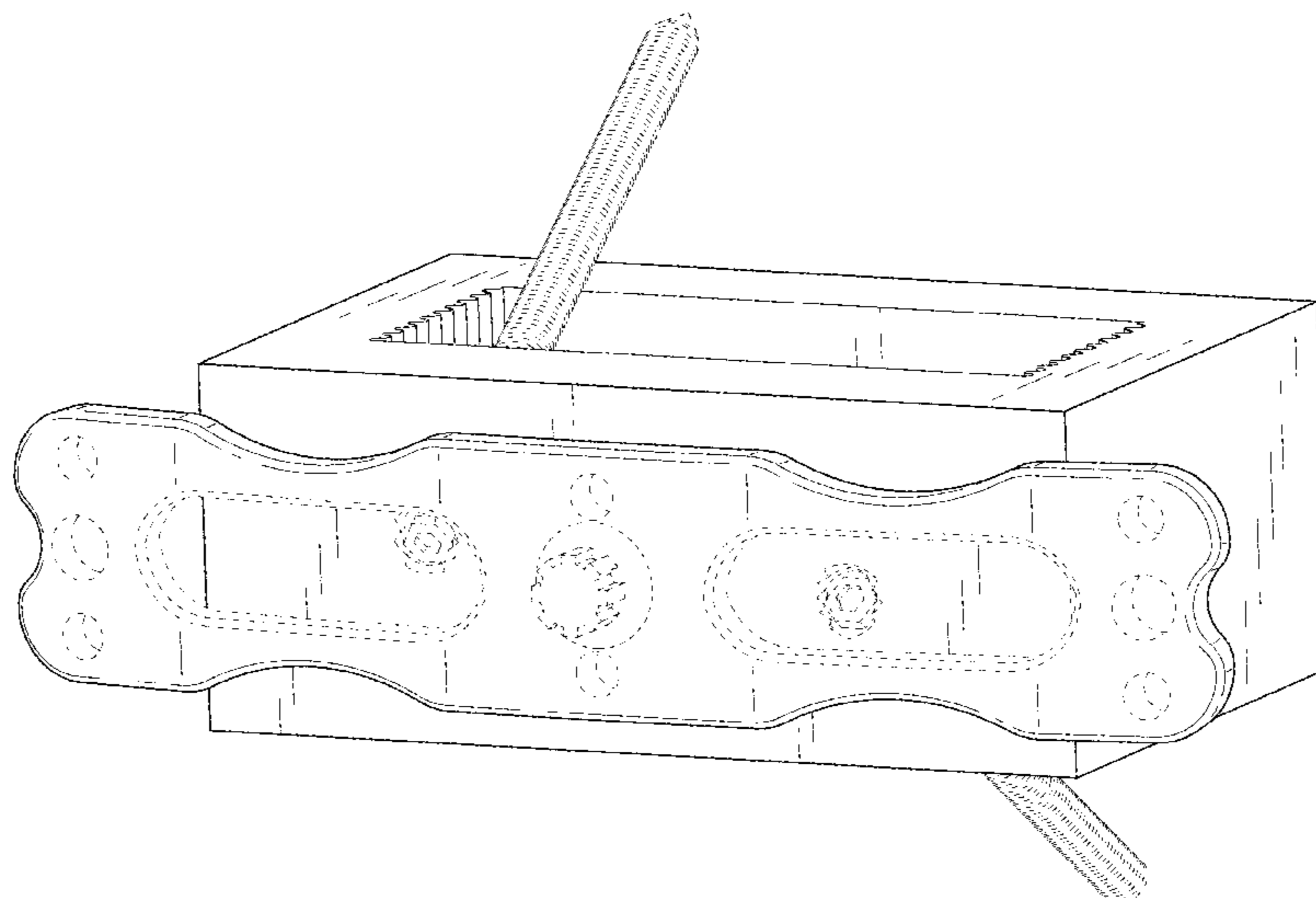
The broken lines are directed to the environment and are for
illustrative purposes only; the broken lines form no part of
the claimed spinal cage invention.

(56) **References Cited**

U.S. PATENT DOCUMENTS

6,159,245 A 12/2000 Meriwether et al.
6,428,542 B1 8/2002 Michelson
6,436,100 B1 8/2002 Berger
6,569,165 B2 5/2003 Wahl et al.
7,077,864 B2 7/2006 Byrd, III et al.
7,172,627 B2 2/2007 Fiere et al.
7,322,983 B2 * 1/2008 Harris A61B 17/8057
606/273

1 Claim, 8 Drawing Sheets



(56)

References Cited

U.S. PATENT DOCUMENTS

9,132,021 B2 9/2015 Mermuys et al.
 D742,008 S * 10/2015 Schifano D24/155
 9,949,769 B2 * 4/2018 Serhan A61B 17/7068
 D849,947 S * 5/2019 Ordonez D24/155
 D855,184 S * 7/2019 Predick A61B 17/8061
 D24/155
 D958,367 S * 7/2022 Refai A61B 17/7059
 D24/155
 D961,082 S * 8/2022 Villamil D24/155
 2006/0085071 A1 4/2006 Lechmann et al.
 2009/0105830 A1 * 4/2009 Jones A61F 2/4465
 606/301
 2010/0249935 A1 * 9/2010 Slivka A61F 2/4611
 623/17.11
 2012/0078371 A1 * 3/2012 Gamache A61F 2/4465
 623/17.16
 2012/0310350 A1 * 12/2012 Farris A61F 2/4455
 623/17.16

2013/0158668 A1 * 6/2013 Nichols A61B 17/56
 623/17.16
 2013/0218276 A1 * 8/2013 Fiechter A61F 2/4465
 623/17.16
 2013/0345814 A1 12/2013 Walkenhorst et al.
 2014/0046447 A1 2/2014 Dunworth et al.
 2014/0052255 A1 2/2014 Defalco et al.
 2014/0100663 A1 4/2014 Messerli et al.
 2014/0277497 A1 * 9/2014 Bennett A61F 2/4455
 623/17.16
 2015/0351925 A1 * 12/2015 Emerick A61F 2/4611
 29/11
 2016/0089247 A1 * 3/2016 Nichols A61F 2/30767
 623/17.16
 2016/0228257 A1 * 8/2016 Predick A61B 17/8061
 2018/0333269 A1 * 11/2018 Whipple A61F 2/44

OTHER PUBLICATIONS

International Search Report and Written Opinion issued in PCT/US2015/017080 dated Jul. 8, 2015.

* cited by examiner

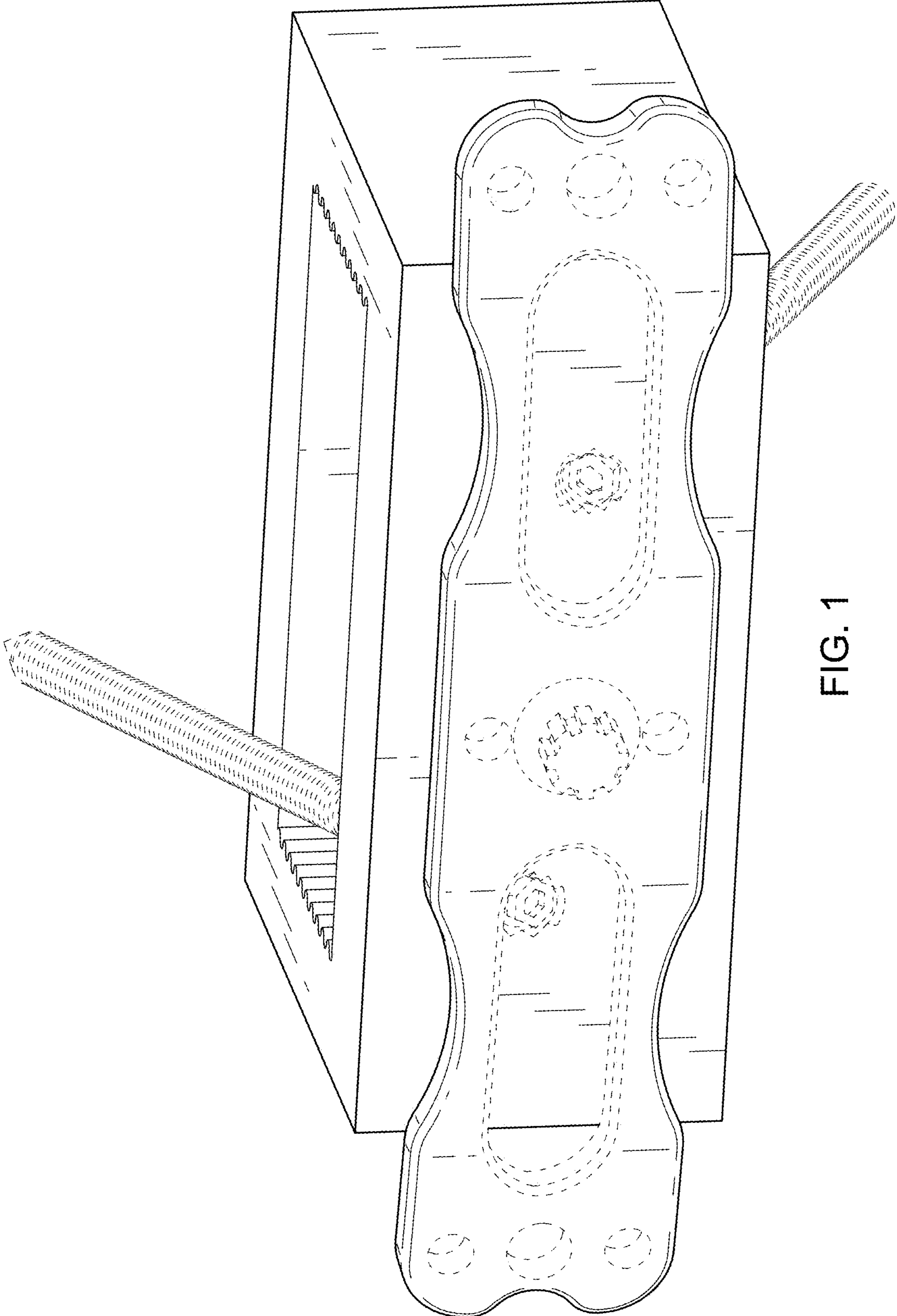


FIG. 1

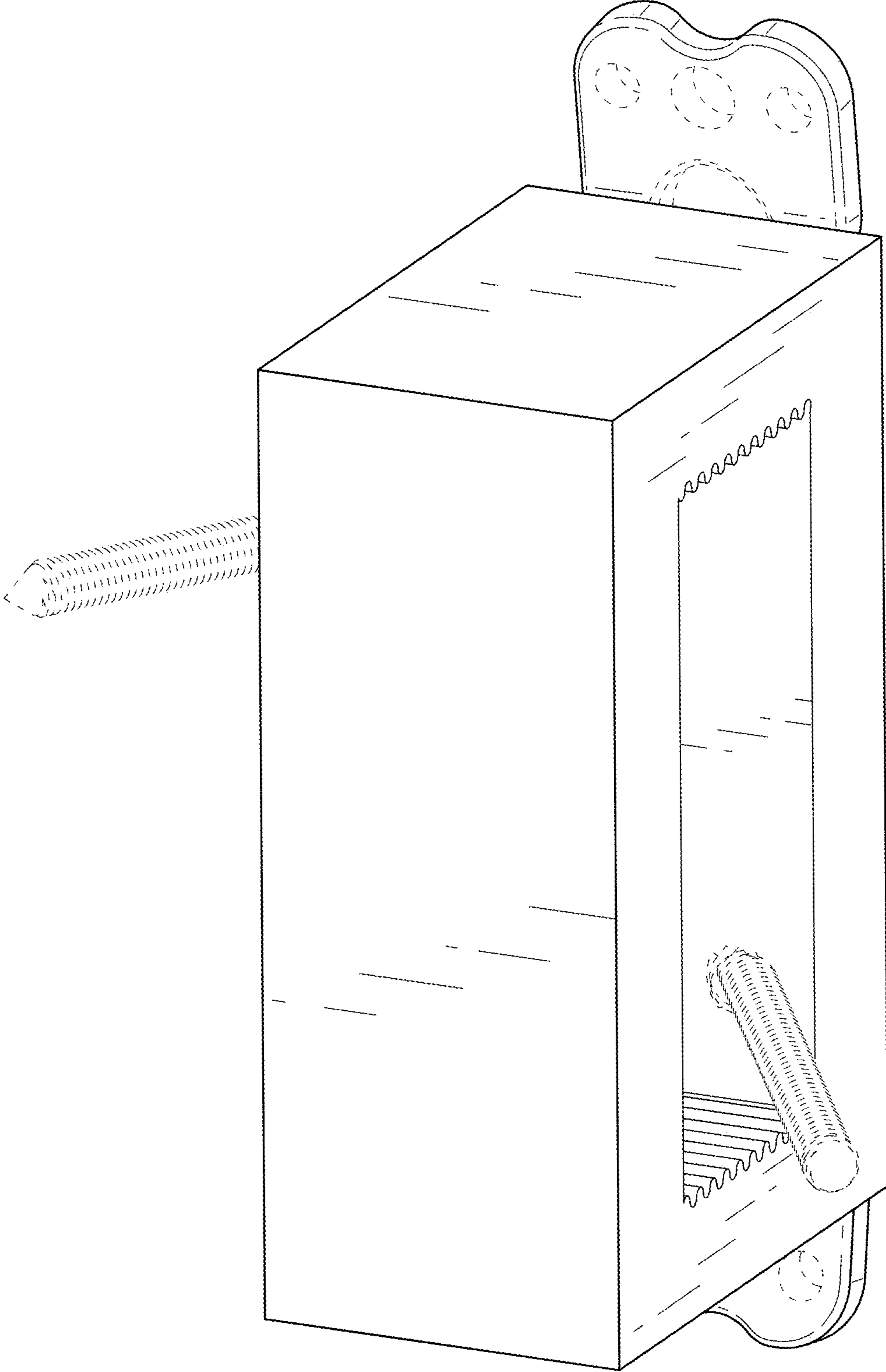


FIG. 2

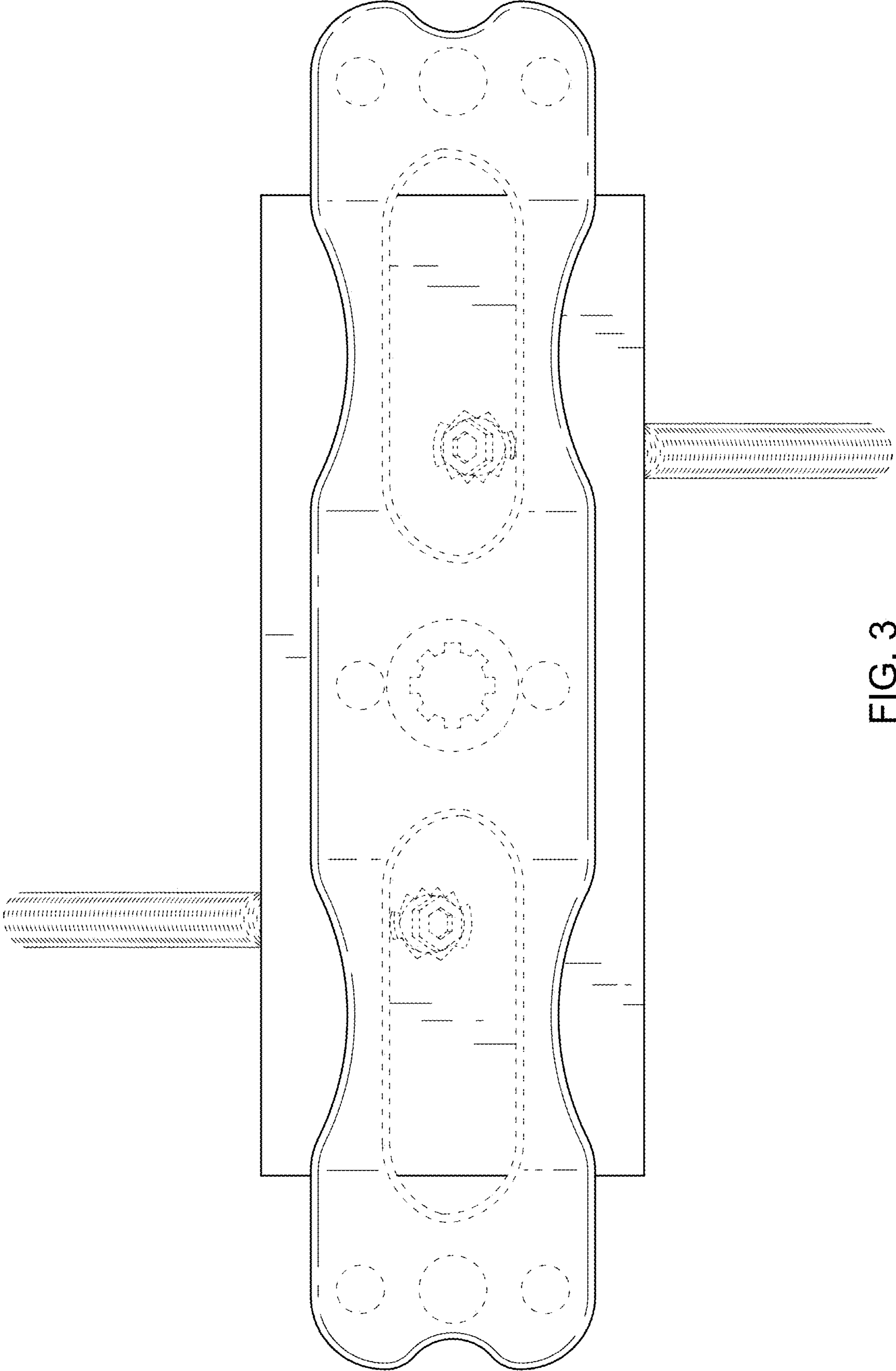


FIG. 3

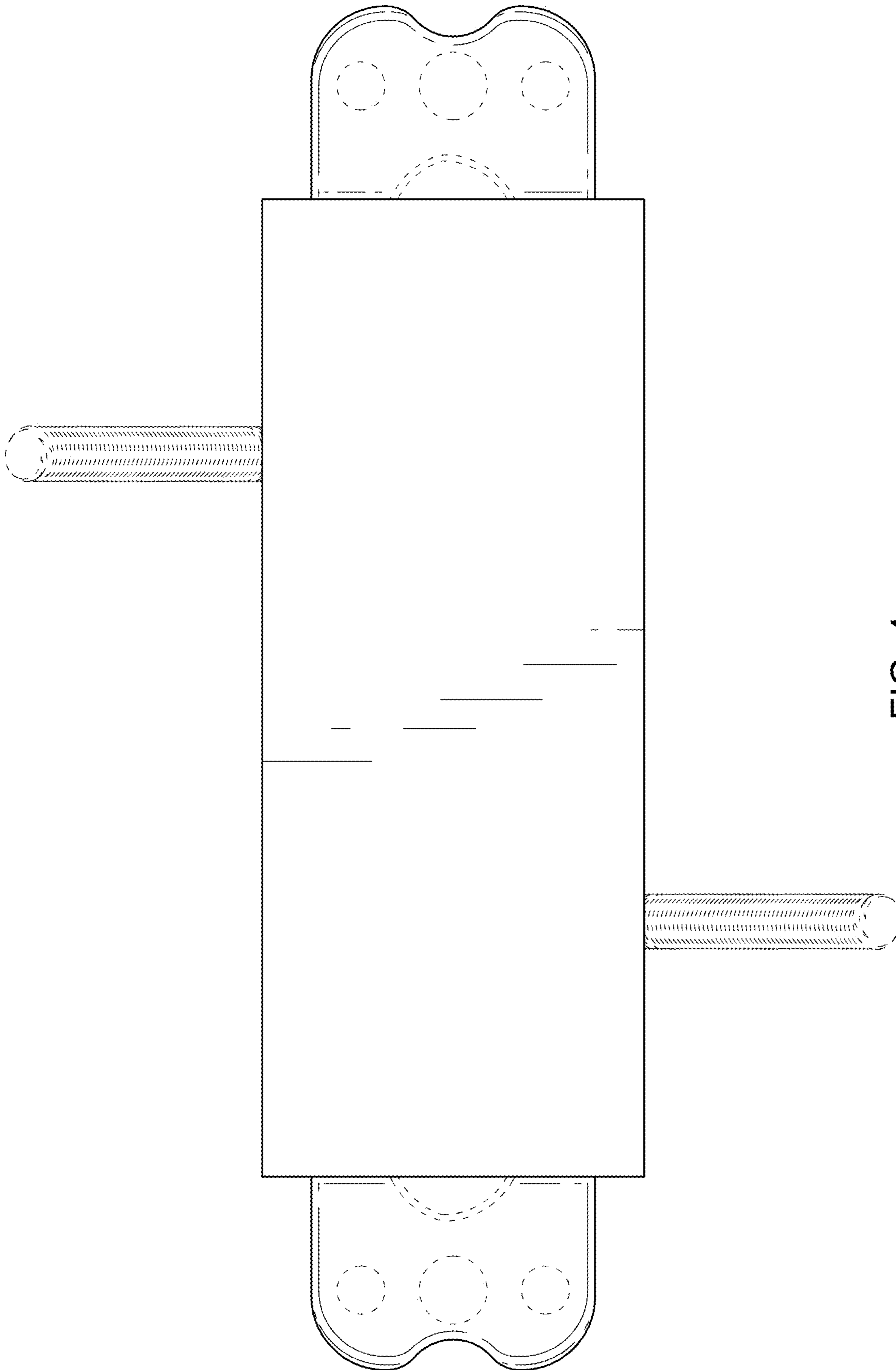


FIG. 4

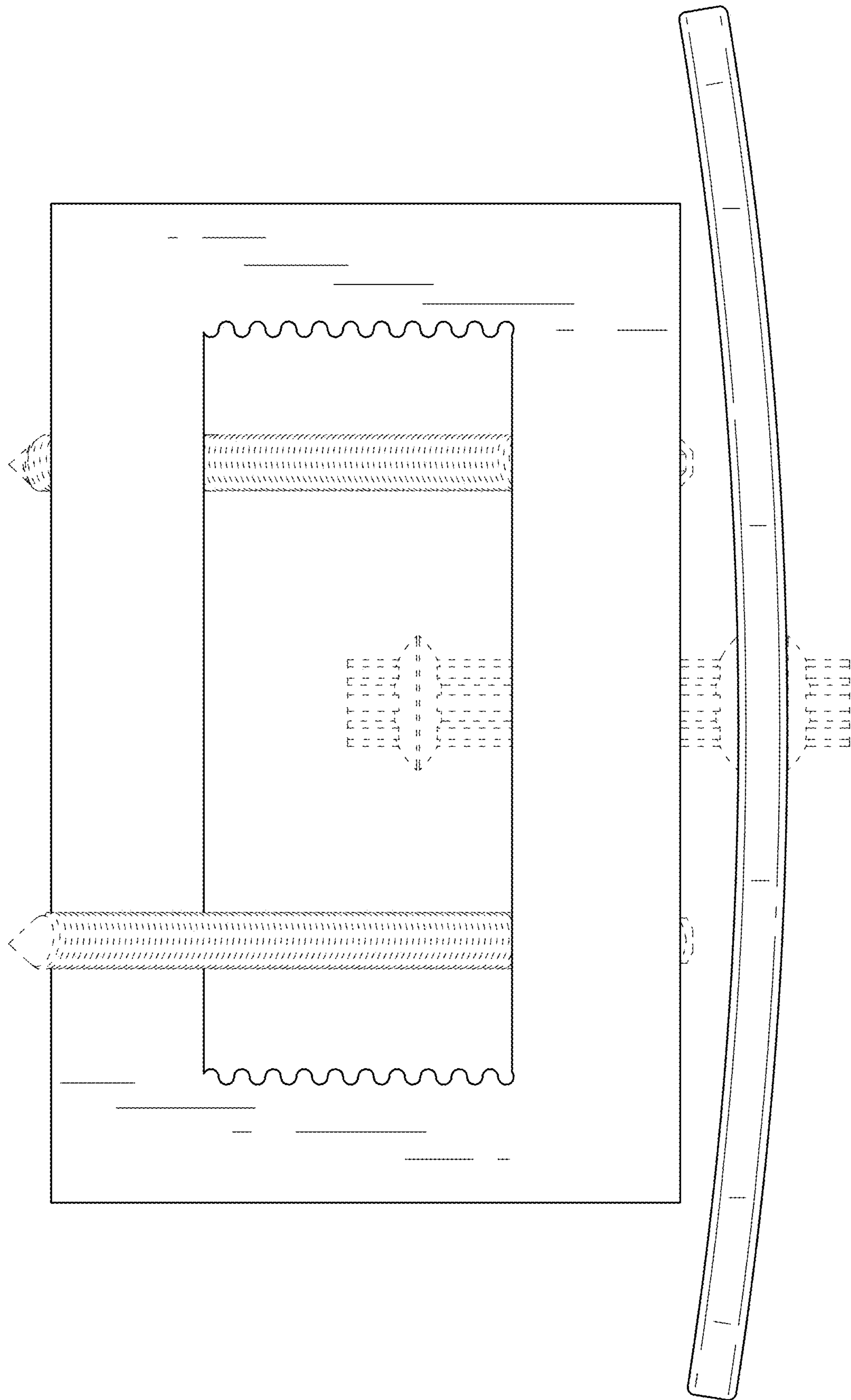


FIG. 5

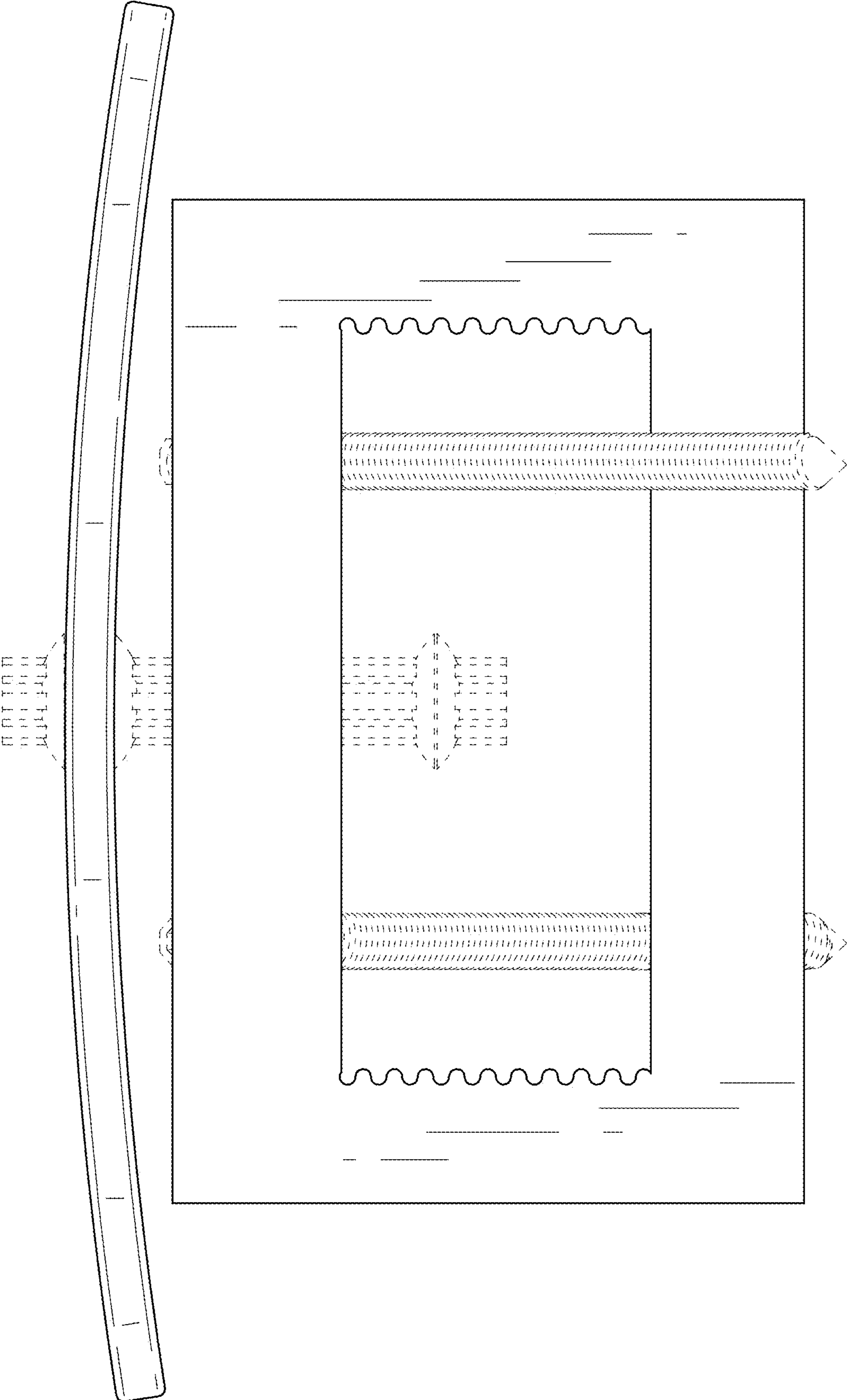


FIG. 6

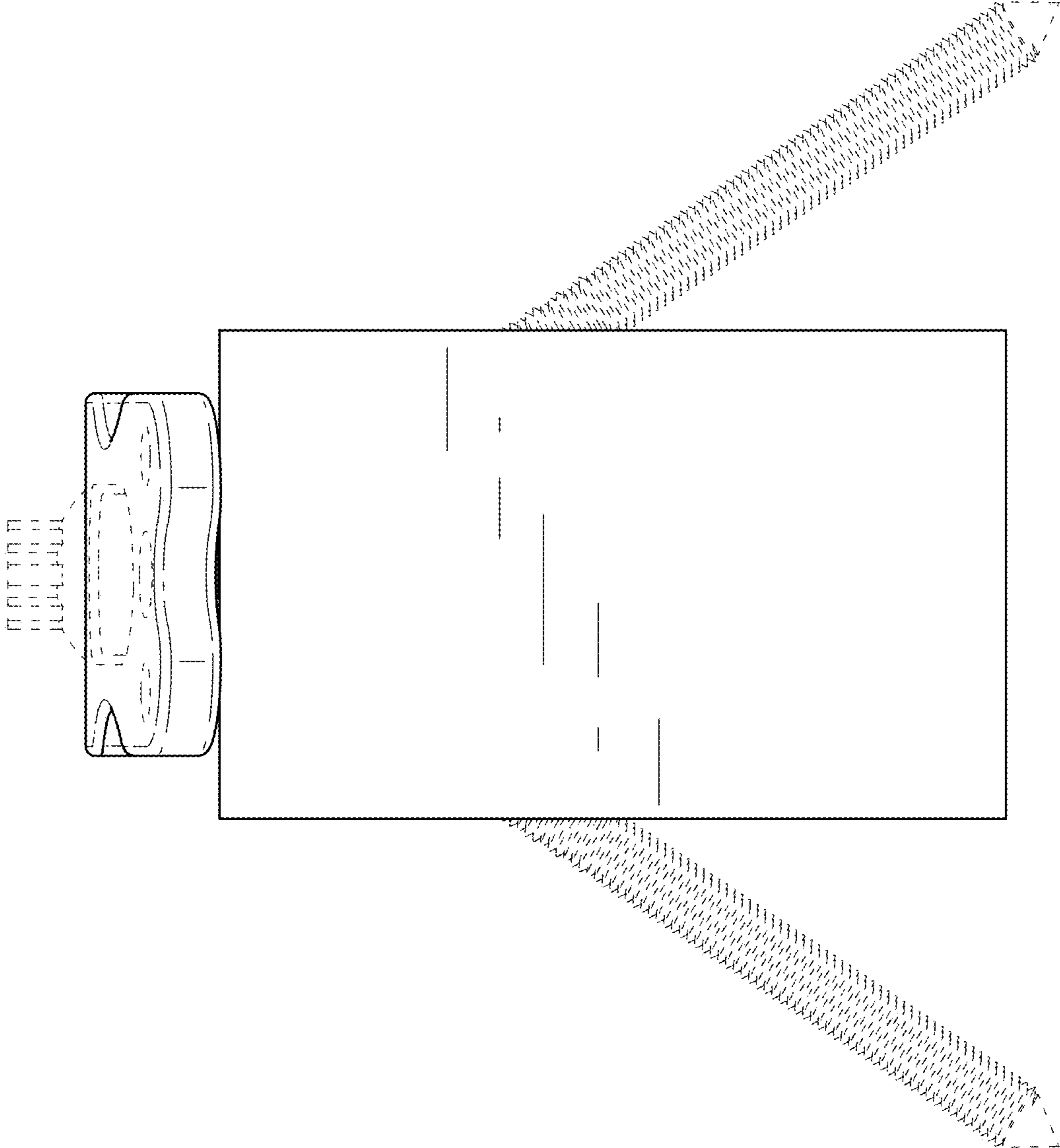


FIG. 7

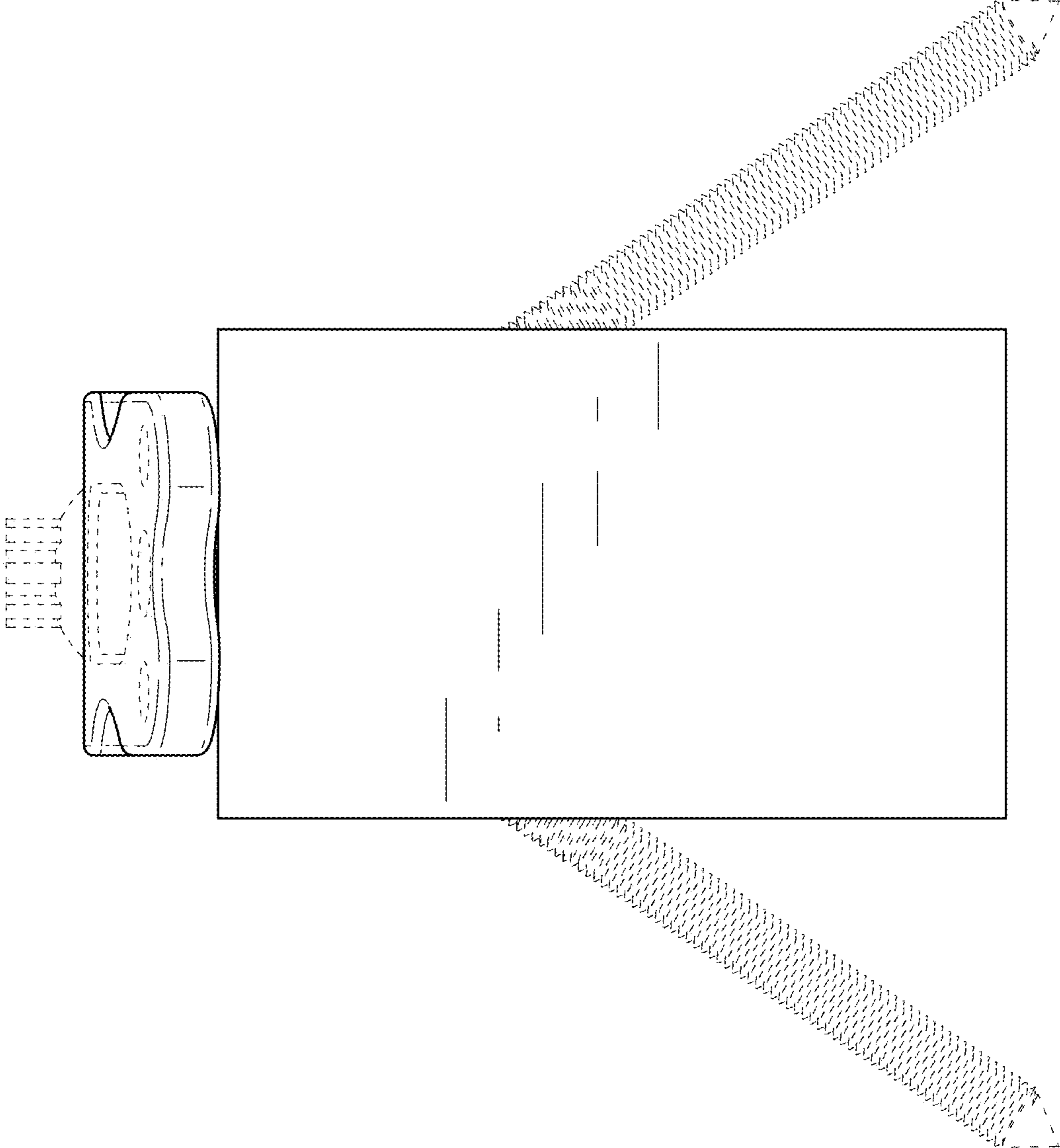


FIG. 8