



US00D979060S

(12) **United States Design Patent** (10) **Patent No.:** **US D979,060 S**  
**Raphael et al.** (45) **Date of Patent:** **\*\* Feb. 21, 2023**

(54) **LIP IMPLANT**  
(71) Applicant: **SurgiSil, L.L.P.**, Plano, TX (US)  
(72) Inventors: **Peter Raphael**, Plano, TX (US); **Scott Harris**, Dallas, TX (US)  
(73) Assignee: **SurgiSil, L.L.P.**, Plano, TX (US)  
(\*\*) Term: **14 Years**  
(21) Appl. No.: **29/491,550**  
(22) Filed: **May 22, 2014**

4,481,001 A 11/1984 Graham et al.  
D307,602 S \* 5/1990 Lee ..... D19/117  
4,963,150 A 10/1990 Brauman  
5,030,232 A 7/1991 Pham  
5,133,754 A 7/1992 Laghi  
5,195,951 A 3/1993 Giampapa  
5,258,028 A 11/1993 Ersek et al.  
5,413,600 A 5/1995 Mittelman  
5,480,430 A 1/1996 Carlisle et al.  
5,496,371 A 3/1996 Eppley et al.  
5,571,182 A 11/1996 Ersek et al.  
5,578,050 A 11/1996 Webb  
5,607,477 A \* 3/1997 Schindler ..... A61F 2/0059  
606/185  
5,782,913 A 7/1998 Schindler et al.  
D403,355 S \* 12/1998 Fillion ..... 401/34  
5,941,909 A 8/1999 Purkait  
5,941,910 A 8/1999 Schindler et al.

**Related U.S. Application Data**

(63) Continuation of application No. 13/174,914, filed on Jul. 1, 2011, now abandoned, which is a continuation of application No. 11/929,267, filed on Oct. 30, 2007, now Pat. No. 7,993,409, which is a continuation of application No. 10/792,984, filed on Mar. 4, 2004, now Pat. No. 7,344,566, which is a continuation-in-part of application No. 10/384,229, filed on Mar. 7, 2003, now Pat. No. 7,008,455.

(51) **LOC (14) Cl.** ..... **24-03**  
(52) **U.S. Cl.**  
USPC ..... **D24/155**  
(58) **Field of Classification Search**  
USPC ..... D24/155-157; D19/108, 115, 117, 158, D19/159  
CPC ..... A61F 2/02  
See application file for complete search history.

**References Cited**

**U.S. PATENT DOCUMENTS**

3,672,783 A \* 6/1972 Bajusz ..... B43K 24/06  
401/116  
3,917,416 A \* 11/1975 Steyer ..... B43K 27/12  
401/34  
D241,343 S \* 9/1976 Harmon ..... D19/117

(Continued)

**FOREIGN PATENT DOCUMENTS**

DE 4414103 A1 10/1995  
EP 0784987 7/1997

(Continued)

**OTHER PUBLICATIONS**

Dick Blick catalog 2001.\*

(Continued)

*Primary Examiner* — Charles D Hanson  
(74) *Attorney, Agent, or Firm* — Haynes and Boone, LLP

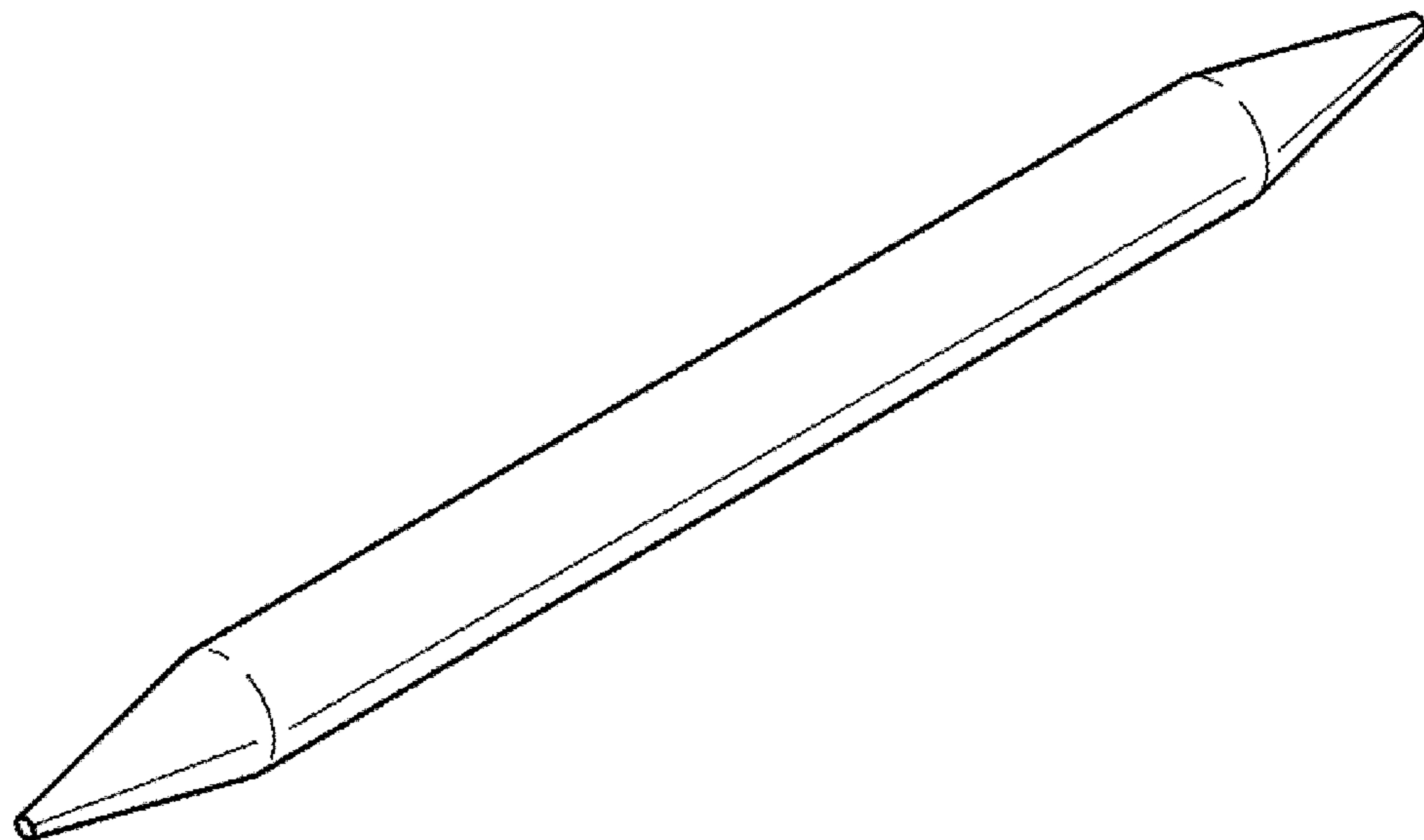
(57) **CLAIM**

The ornamental design for a lip implant, as shown and described.

**DESCRIPTION**

The FIGURE is a perspective view of a lip implant showing our new design.

**1 Claim, 1 Drawing Sheet**



(56)

References Cited

U.S. PATENT DOCUMENTS

6,083,262	A	7/2000	Caravel	
6,083,912	A	7/2000	Khoury	
6,129,761	A	10/2000	Hubbell	
6,277,150	B1	8/2001	Crawley et al.	
7,008,455	B2 *	3/2006	Raphael	A61B 17/282 623/11.11
7,329,286	B2	2/2008	Raphael et al.	
7,344,566	B2 *	3/2008	Raphael	A61B 17/282 623/11.11
7,850,379	B2 *	12/2010	Knapton	B43K 19/02 401/34
7,993,409	B2 *	8/2011	Raphael	A61B 17/282 623/23.64
2002/0019670	A1	2/2002	Crawley et al.	
2004/0073318	A1	4/2004	Reinmuller	
2008/0058928	A1	3/2008	Raphael et al.	

FOREIGN PATENT DOCUMENTS

EP	2335646	6/2011
WO	WO 95/34256	12/1995
WO	WO 98/37836	9/1998
WO	WO 99/51164	10/1999
WO	WO 00/33771	6/2000
WO	WO 2004/080337	9/2004

OTHER PUBLICATIONS

<https://academic.oup.com/asj/article/31/5/488/196397> date:Jul. 1, 2011.\*  
<https://www.ncbi.nlm.nih.gov/pmc/articles/PMC4174082/> date:May 2, 2014.\*  
 U.S. Appl. No. 13/174,914, filed Jul. 1, 2011, Raphael et al.  
 Office Action dated Feb. 4, 2010, by the USPTO, regarding U.S. Appl. No. 11/929,267.  
 Office Action dated May 19, 2010, by the USPTO, regarding U.S. Appl. No. 11/929,267.  
 Office Action dated Nov. 12, 2010, by the USPTO, regarding U.S. Appl. No. 11/929,267.  
 Interview Summary dated Mar. 10, 2011, by the USPTO, regarding U.S. Appl. No. 11/929,267.  
 Notice of Allowance dated Apr. 4, 2011, by the USPTO, regarding U.S. Appl. No. 11/929,267.  
 Examination Report dated Aug. 11, 2008, by IP Australia, regarding Australian Patent Application No. 2004220602.  
 Examination Report dated Jun. 2, 2009, by IP Australia, regarding Australian Patent Application No. 2004220602.  
 Correspondence from foreign counsel dated Dec. 19, 2008, regarding Office Action issued in connection with Mexican Patent Application No. PA/a/2005/009527.  
 Correspondence from foreign counsel dated Aug. 18, 2009, regarding Office Action issued in connection with Mexican Patent Application No. PA/a/2005/009527.  
 Correspondence from foreign counsel dated Aug. 18, 2009, regarding Office Action issued in connection with Mexican Patent Application No. PA/a/2009/003784.  
 Examination Report dated Nov. 10, 2009, by the European Patent Application, regarding European Patent Application No. 04717985.8.

Edward O. Terino, M.D. and Robert S. Flowers, M.D., *The Art of Alloplastic Facial Contouring*; 2000, 4 pgs.; Mosby, St. Louis, MO.  
 A. Oxfort-Thumser, Office Communication under Rule 71(3) in European Patent Application No. EP 04717985.8; dated Aug. 9, 2010, 17 pgs., European Patent Office, Munich, Germany.  
 Supplementary European Search Report, issued in Application No. EP04717985.8, dated Nov. 12, 2008.  
 Partial European Search Report, issued in Application No. EP11156401.9 dated May 9, 2011.  
 International Search Report dated Sep. 27, 2004 in connection with International Serial No. PCT/US2004/006722 (5 pages).  
 Written Opinion dated Sep. 27, 2004 in connection with International Serial No. PCT/US2004/006722 (5 pages).  
 International Preliminary Report on Patentability dated Aug. 1, 2005 in connection with International Serial No. PCT/US2004/006722 (5 pages).  
 Office Action dated Jul. 13, 2004 in connection with U.S. Appl. No. 10/384,229 (6 pages).  
 Office Action dated Oct. 20, 2004 in connection with U.S. Appl. No. 10/384,229 (7 pages).  
 Office Action dated Apr. 28, 2005 in connection with U.S. Appl. No. 10/384,229 (7 pages).  
 Notice of Allowability dated Aug. 4, 2005 in connection with U.S. Appl. No. 10/384,229 (1 page).  
 Notice of Allowance dated Aug. 4, 2005 in connection with U.S. Appl. No. 10/384,229 (3 pages).  
 Supplemental Notice of Allowability dated Aug. 8, 2005 in connection with U.S. Appl. No. 10/384,229 (3 pages).  
 Office Action dated Feb. 1, 2007 in connection with U.S. Appl. No. 10/792,984 (6 pages).  
 Office Action dated May 3, 2007 in connection with U.S. Appl. No. 10/792,984 (6 pages).  
 Interview Summary dated Jun. 5, 2007 in connection with U.S. Appl. No. 10/792,984 (4 pages).  
 Notice of Allowability dated Nov. 28, 2007 in connection with U.S. Appl. No. 10/792,984 (3 pages).  
 Notice of Allowance dated Nov. 28, 2007 in connection with U.S. Appl. No. 10/792,984 (3 pages).  
 Office Action dated Feb. 1, 2007 in connection with U.S. Appl. No. 11/234,358 (5 pages).  
 Office Action dated Jun. 5, 2007 in connection with U.S. Appl. No. 11/234,358 (8 pages).  
 Interview Summary dated Aug. 31, 2007 in connection with U.S. Appl. No. 11/234,358 (3 pages).  
 Notice of Allowability dated Oct. 25, 2007 in connection with U.S. Appl. No. 11/234,358 (4 pages).  
 Notice of Allowance dated Oct. 25, 2007 in connection with U.S. Appl. No. 11/234,358 (3 pages).  
 Office Action dated Oct. 13, 2011, by the Canadian Intellectual Property Office, in connection with Canadian Patent App No. 2,516,696 (2 pages).  
 Extended Search Report dated Dec. 29, 2011, by the European Patent Office, in connection with European Patent App No. 11188581.0 (5 pages).  
 Extended European Search Report, issued by the European Patent Office, dated Sep. 29, 2011, in Application No. EP11156401.9.  
 Office Action dated Jan. 13, 2014 in connection with U.S. Appl. No. 13/174,914 (5 pages).  
 Office Action dated Feb. 28, 2014 in connection with U.S. Appl. No. 13/174,914 (10 pages).

\* cited by examiner

