



US00D979058S

(12) **United States Design Patent** (10) **Patent No.:** **US D979,058 S**
Wang (45) **Date of Patent:** **** *Feb. 21, 2023**

(54) **BASE FOR EAR CLEANER**

(71) Applicant: **HEIFENG ZHIZAO (SHENZHEN) TECHNOLOGY CO., LTD**, Shenzhen (CN)

(72) Inventor: **Shihong Wang**, Shenzhen (CN)

(73) Assignee: **HEIFENG ZHIZAO (SHENZHEN) TECHNOLOGY CO., LTD**, Shenzhen (CN)

(*) Notice: This patent is subject to a terminal disclaimer.

(**) Term: **15 Years**

(21) Appl. No.: **29/800,554**

(22) Filed: **Jul. 21, 2021**

(30) **Foreign Application Priority Data**

Mar. 12, 2021 (CN) 202130135006.0
May 8, 2021 (CN) 202130271723.6

(51) **LOC (14) Cl.** **24-02**

(52) **U.S. Cl.**
USPC **D24/151**

(58) **Field of Classification Search**
USPC D24/107, 119, 127, 128, 133, 151, 173;
D13/107, 108

(Continued)

(56) **References Cited**

U.S. PATENT DOCUMENTS

D602,858 S * 10/2009 Ellis D13/108
D612,939 S * 3/2010 Boone, III D24/133

(Continued)

FOREIGN PATENT DOCUMENTS

EM 008626923-0001 * 7/2021

OTHER PUBLICATIONS

Amazon, "BEBIRD M9 Pro Ear Wax Cleaner", first available Feb. 25, 2020. (<https://www.amazon.com/BEBIRD-Otoscope-Endoscope-Intelligent-Gyroscope/dp/B08543QM2D?th=1>) (Year: 2020).*

(Continued)

Primary Examiner — Lauren D McVey
Assistant Examiner — Justin A Johnson

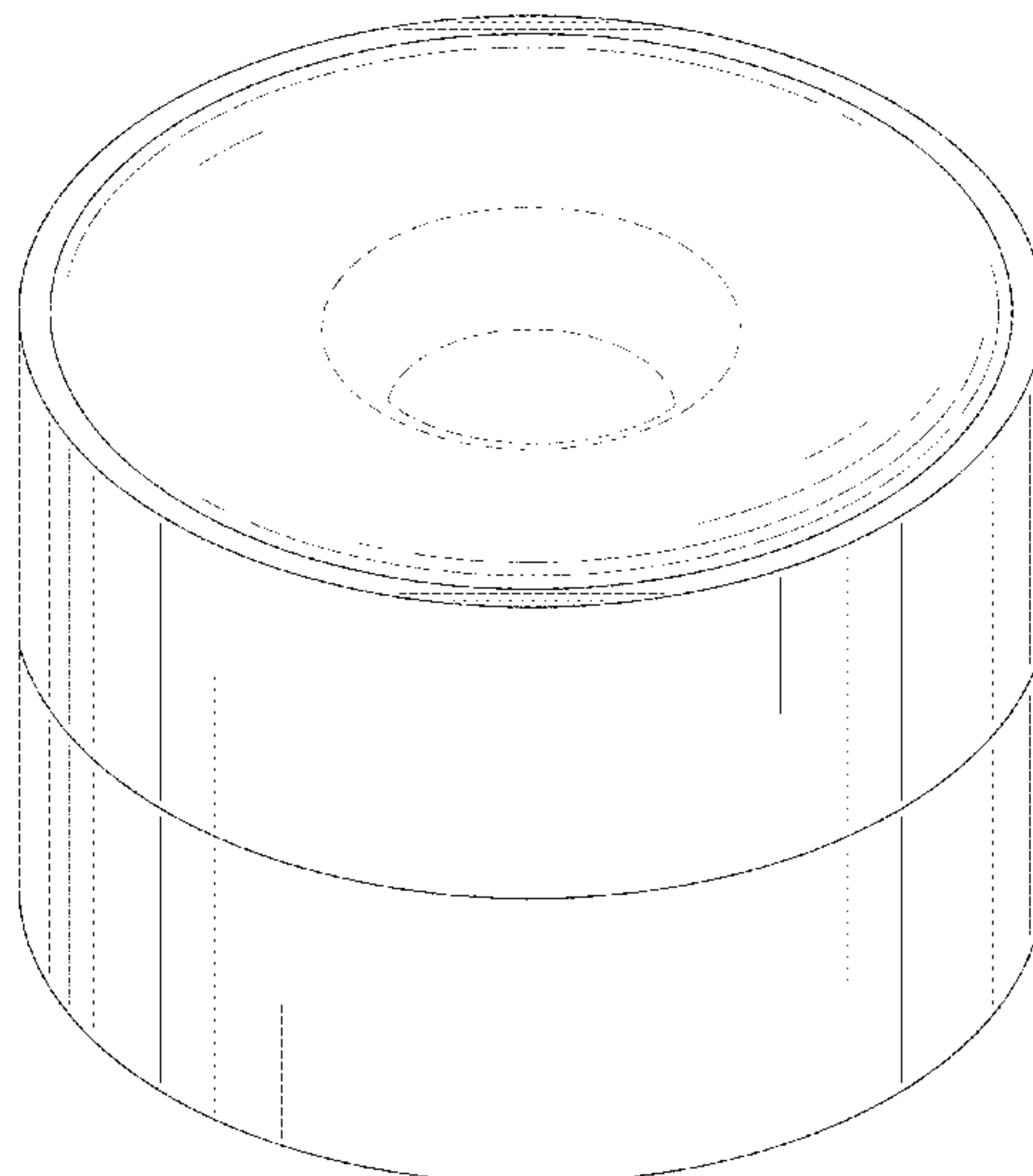
(57) **CLAIM**

The ornamental design for a base for ear cleaner, as shown and described.

DESCRIPTION

FIG. 1 is a perspective view of a first embodiment of a base for ear cleaner showing my new design; FIG. 2 is another perspective view thereof; FIG. 3 is a front elevational view thereof; FIG. 4 is a rear elevational view thereof; FIG. 5 is a left side elevational view thereof; FIG. 6 is a right side elevational view thereof; FIG. 7 is a top plan view thereof; FIG. 8 is a bottom plan view thereof; FIG. 9 is an exploded perspective view of the first embodiment of the base for ear cleaner; FIG. 10 is a perspective view of a second embodiment of the base for ear cleaner; FIG. 11 is another perspective view thereof; FIG. 12 is a front elevational view thereof; FIG. 13 is a rear elevational view thereof; FIG. 14 is a left side elevational view thereof; FIG. 15 is a right side elevational view thereof; FIG. 16 is a top plan view thereof; FIG. 17 is a bottom plan view thereof; and, FIG. 18 is an exploded perspective view of the second embodiment of the base for ear cleaner. The broken lines in the drawings depict portions of the base for ear cleaner that form no part of the claimed design.

1 Claim, 18 Drawing Sheets



(58) **Field of Classification Search**
 CPC A46B 5/00; A46B 5/0004; A46B 5/0016;
 A46B 7/10; A46B 13/001; A46B 13/02;
 A46B 13/023; A46B 13/08; A46B
 2200/1006; A46B 2200/30; A61B
 2018/00327; A61Q 90/00; A61F 11/006
 See application file for complete search history.

(56) **References Cited**

U.S. PATENT DOCUMENTS

D620,884 S *	8/2010	Lee	D13/108
D697,027 S *	1/2014	Ho	D13/108
D697,475 S *	1/2014	Regole	D13/108
D705,439 S	5/2014	Wainwright et al.		
D730,826 S *	6/2015	Moanack	D13/110
D740,750 S *	10/2015	Mayden	D13/108
D757,014 S *	5/2016	Hahn	D14/434
D774,455 S *	12/2016	Kim	D13/108
D804,051 S	11/2017	Alexander et al.		
D806,072 S *	12/2017	Gummalla	D14/240
D817,268 S *	5/2018	Symons	D13/108
D829,242 S *	9/2018	Laine	D14/496
D837,148 S *	1/2019	Brown	D13/103
D866,459 S *	11/2019	Huang	D13/108
D870,040 S *	12/2019	Wu	D13/108
D870,664 S *	12/2019	Langhammer	D13/108

D879,298 S *	3/2020	Byung	A61B 8/04 D24/165
D894,368 S *	8/2020	Lee	D24/107
D897,285 S *	9/2020	Walsh	D13/108
D913,222 S *	3/2021	Albay	D13/108
D916,656 S *	4/2021	Choe	D27/183
D926,127 S *	7/2021	Brehmer	D13/108
D929,322 S *	8/2021	Liu	D3/294
D932,623 S *	10/2021	Wang	D24/151
D946,756 S *	3/2022	Wang	D24/151
D960,367 S *	8/2022	Wang	D24/151

OTHER PUBLICATIONS

FCC ID, “MI3 Smart visual ear-clean Rod External Photos Exterior Photographs”, first available Jul. 21, 2021. (<https://fccid.io/2AU63-MI3/External-Photos/External-Photos-5350149>) (Year: 2021).*

Best Buy, “BEBIRD—Wireless Visual Ear Cleaner with Magnetic Charging Base”, first available Oct. 2021. (<https://www.bestbuy.com/site/bebird-wireless-visual-ear-cleaner-with-magnetic-charging-base-which-holds-accessories-and-robotic-tweezers/6473343.p?skuId=6473343>) (Year: 2021).*

Honest Brand Reviews, “Axel Glade Ear Cleaner Review”, first available Jun. 25, 2021. (<https://www.honestbrandreviews.com/reviews/axel-glade-ear-cleaner-review/>) (Year: 2021).*

* cited by examiner

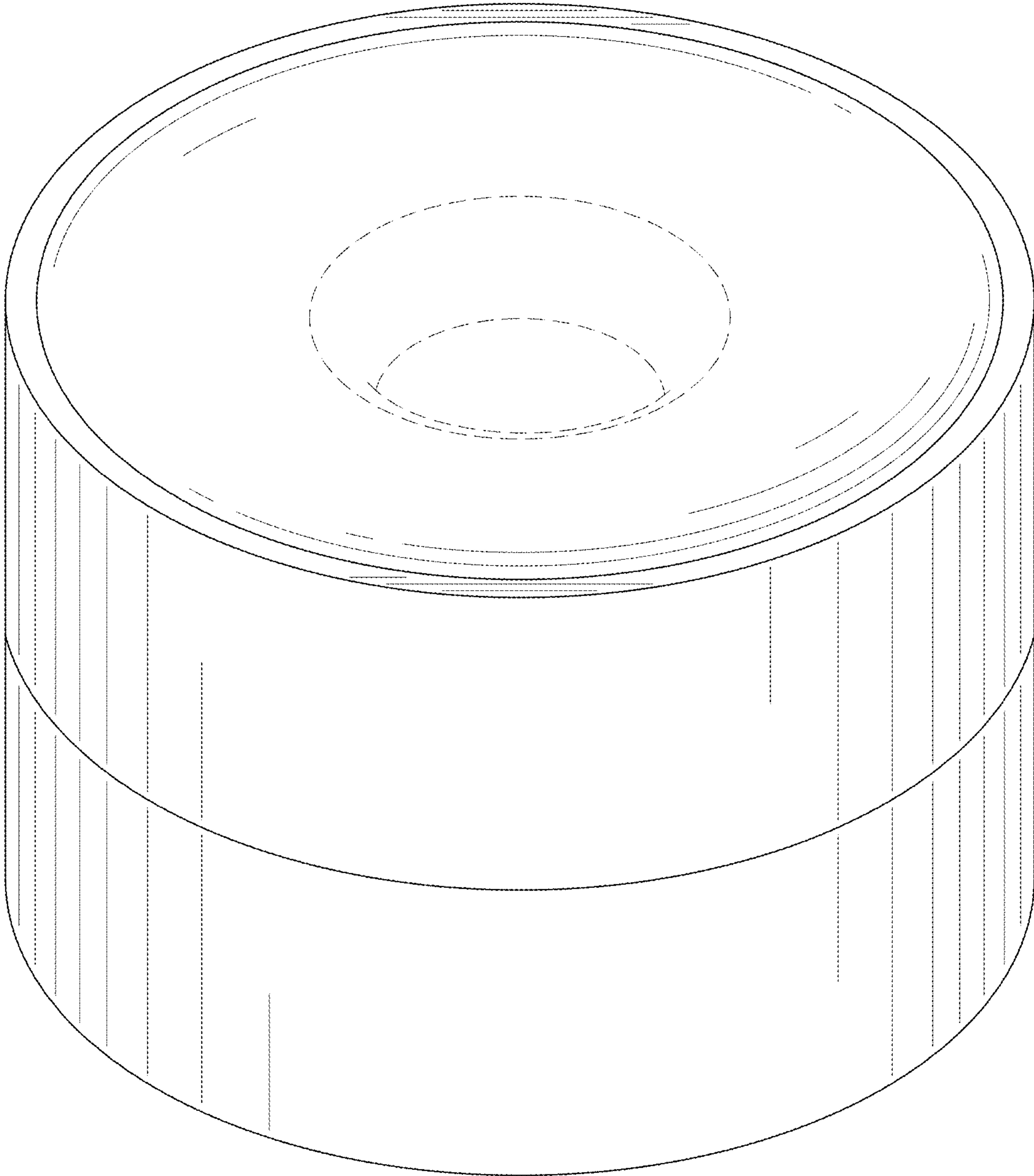


FIG. 1

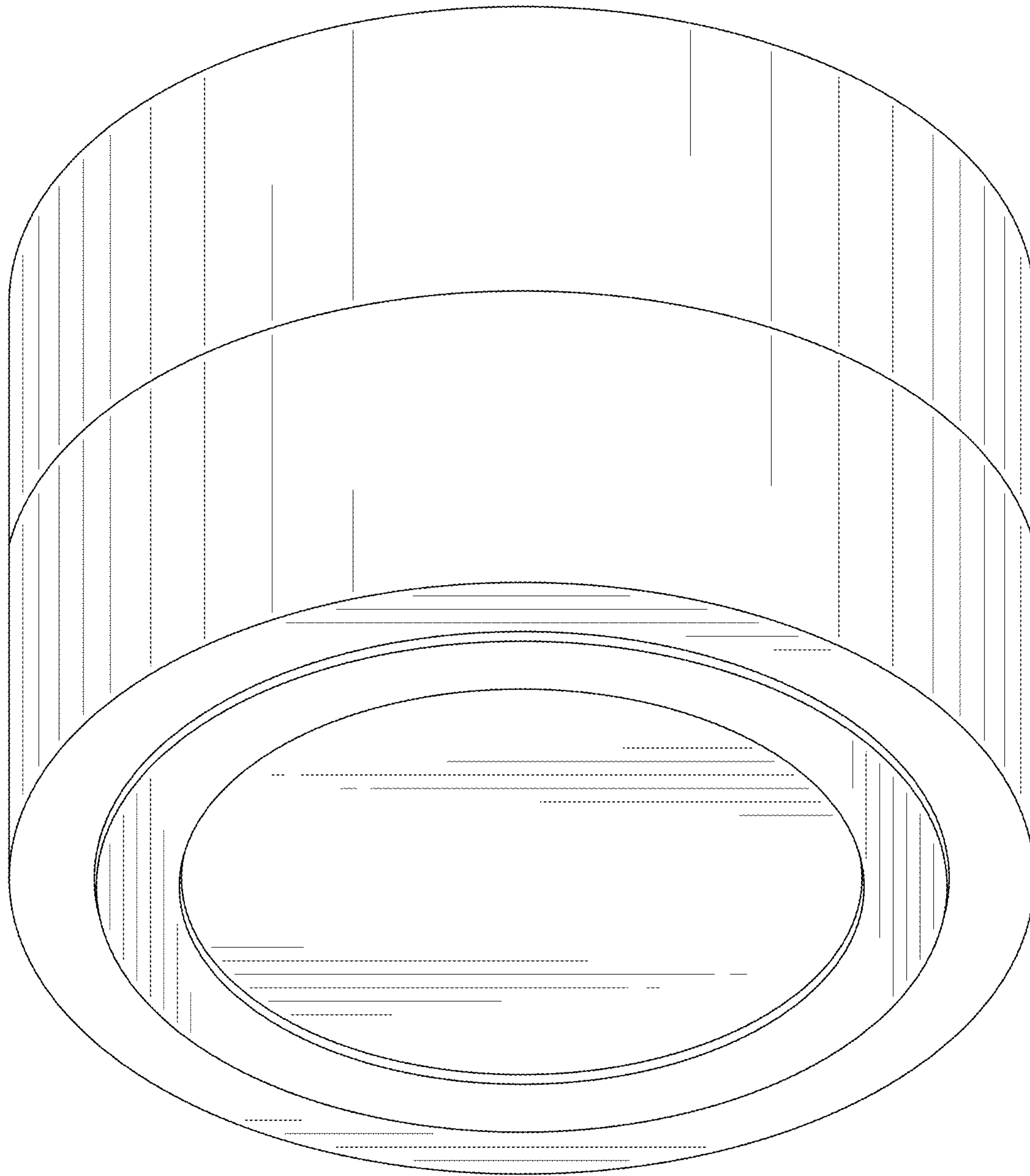


FIG. 2

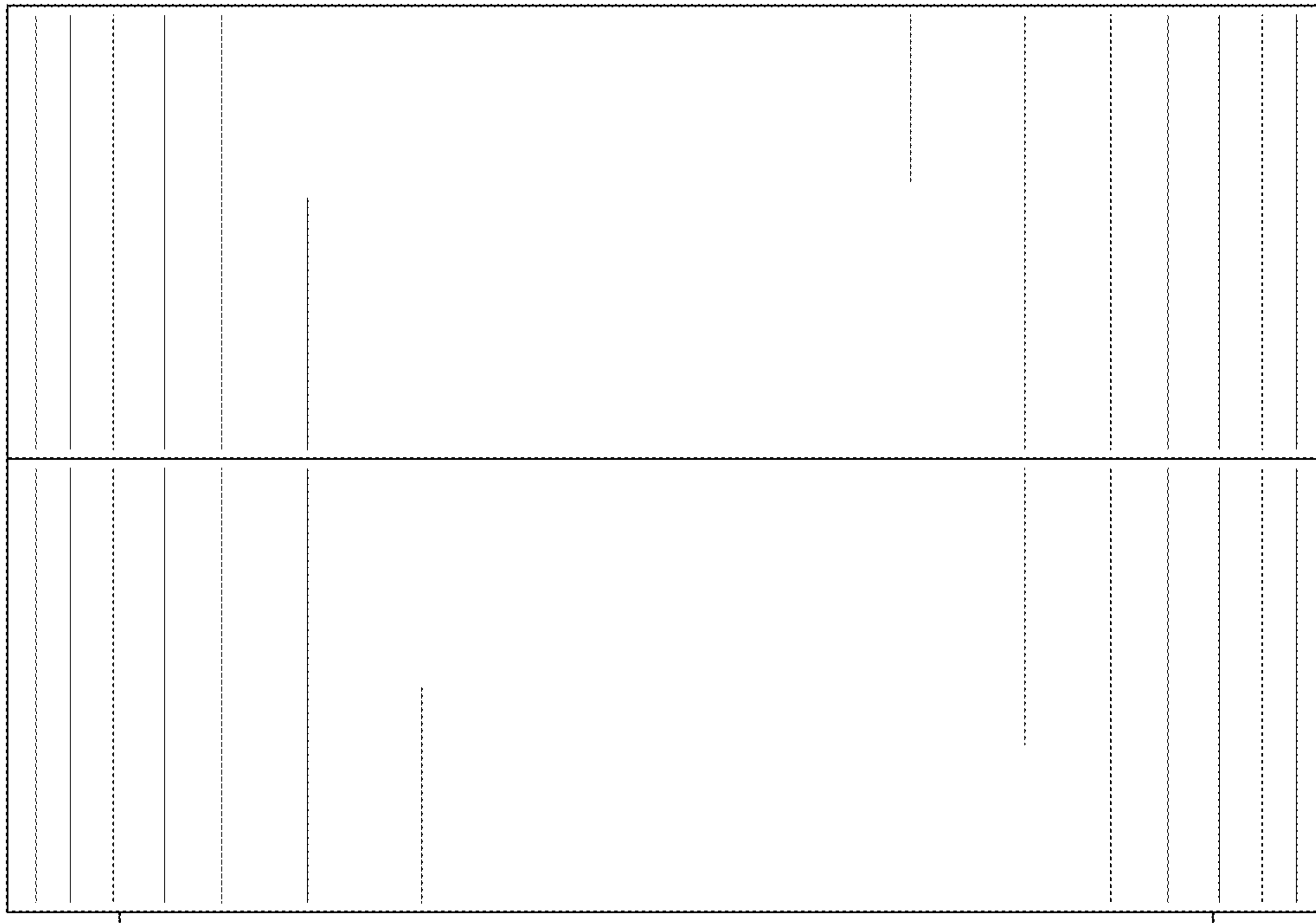


FIG. 3

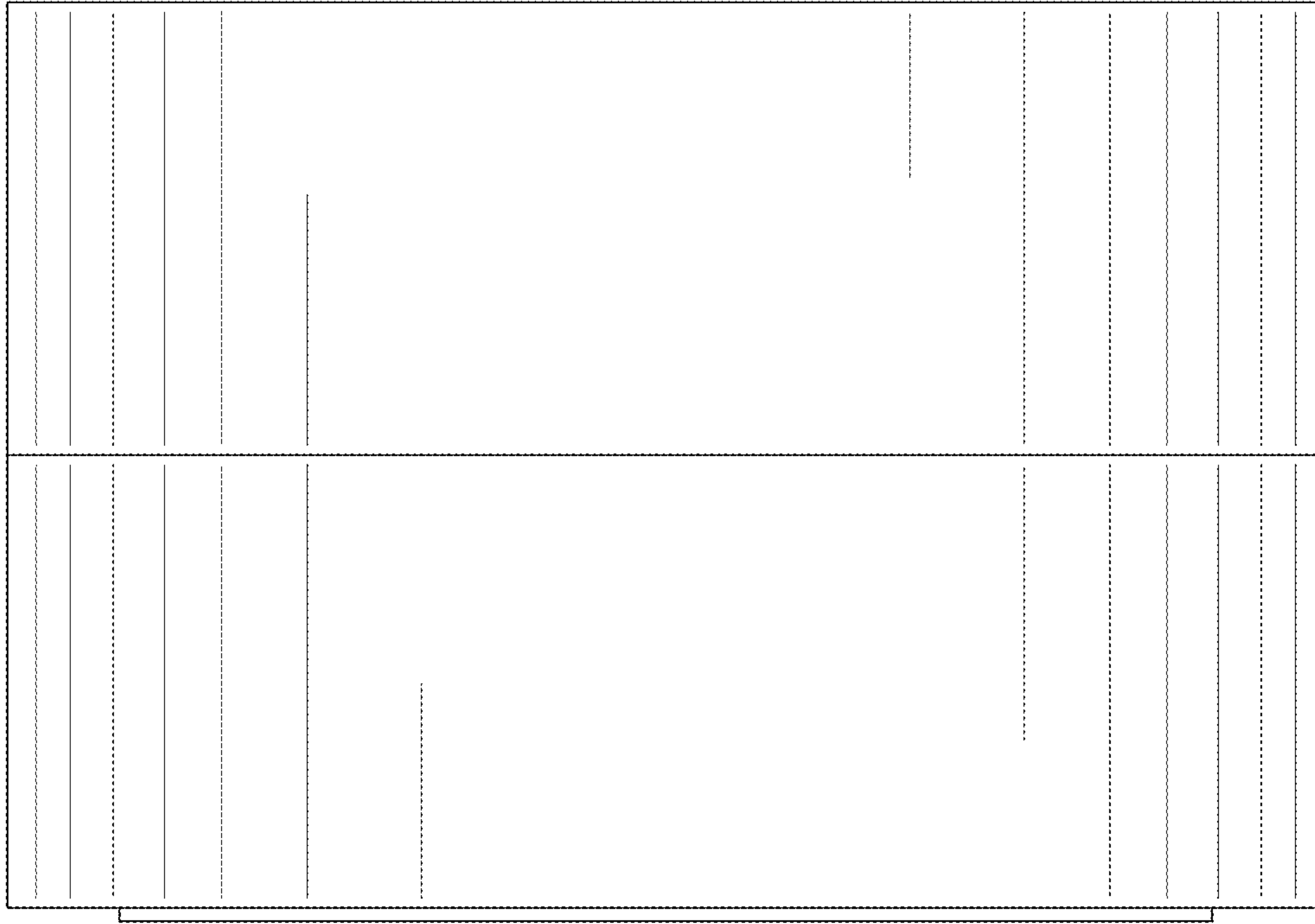


FIG. 4

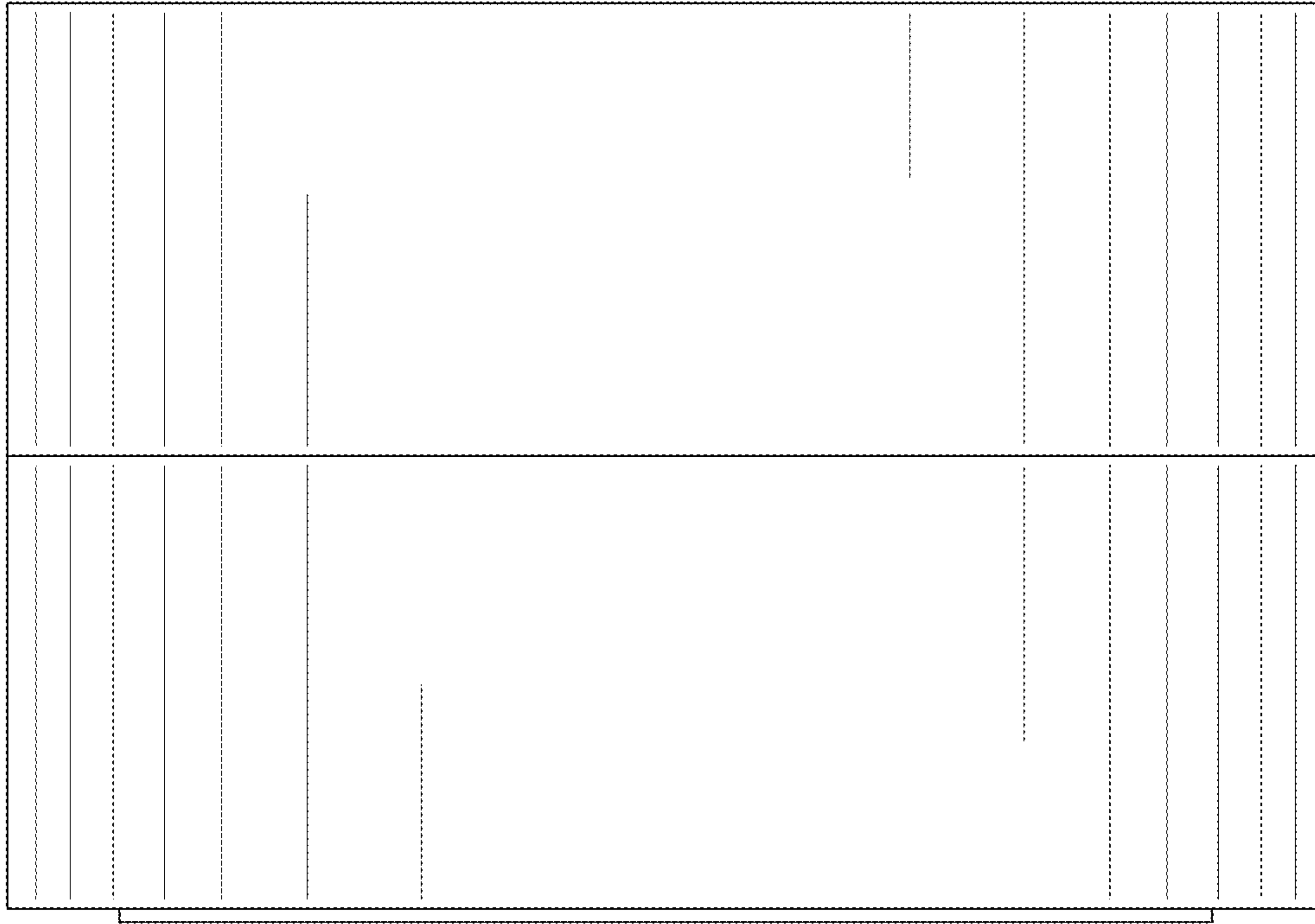


FIG. 5

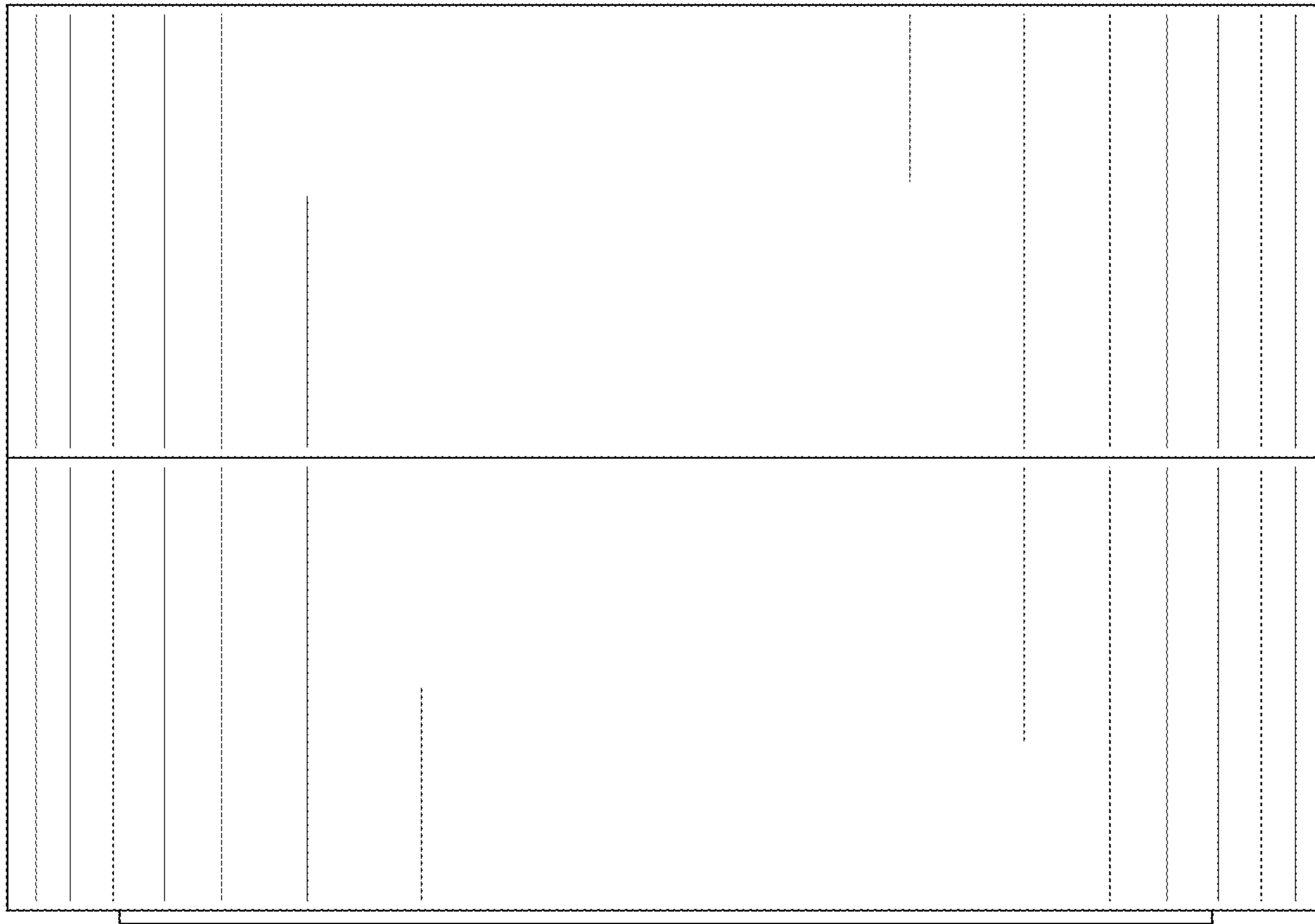


FIG. 6

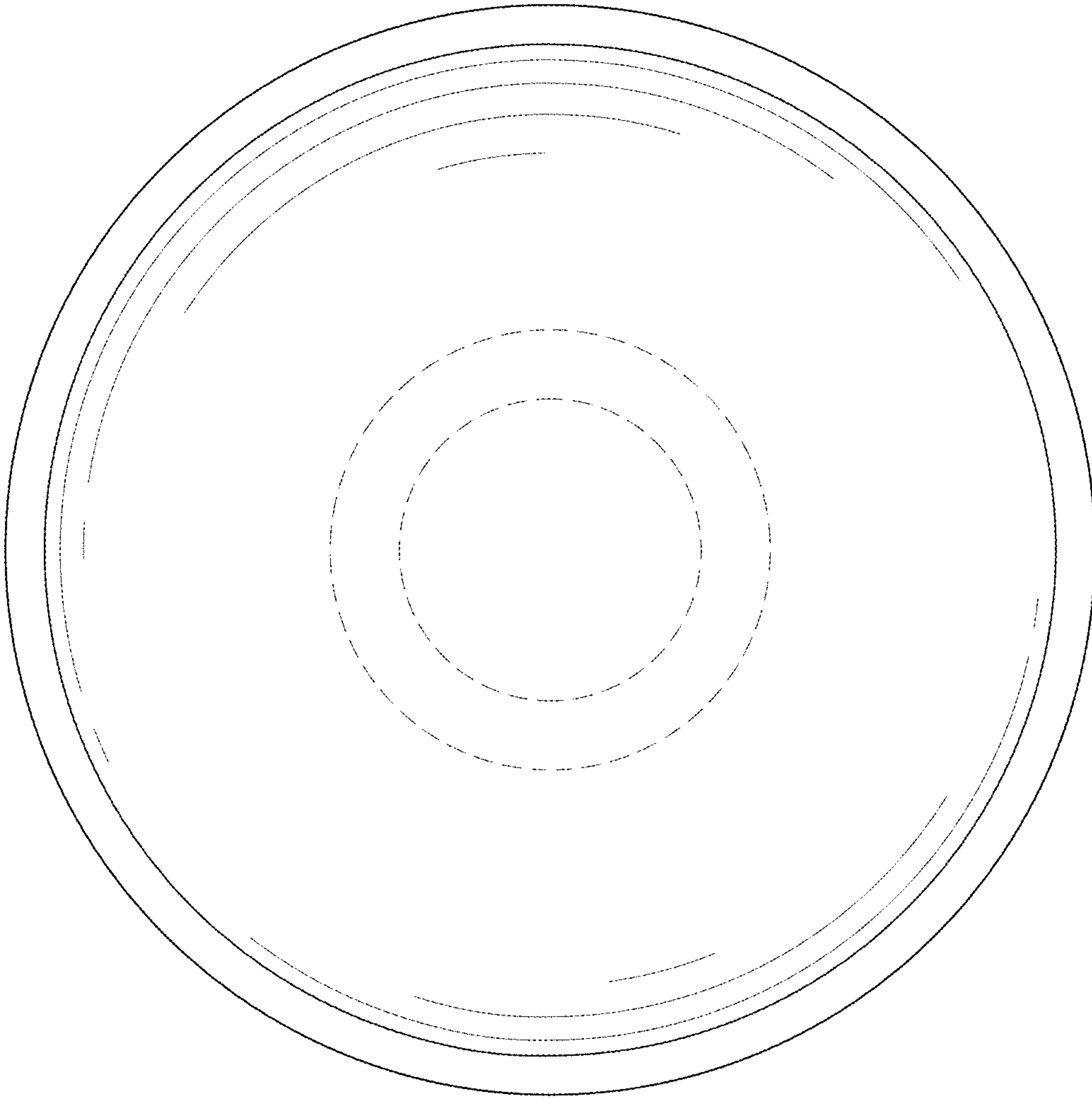


FIG. 7

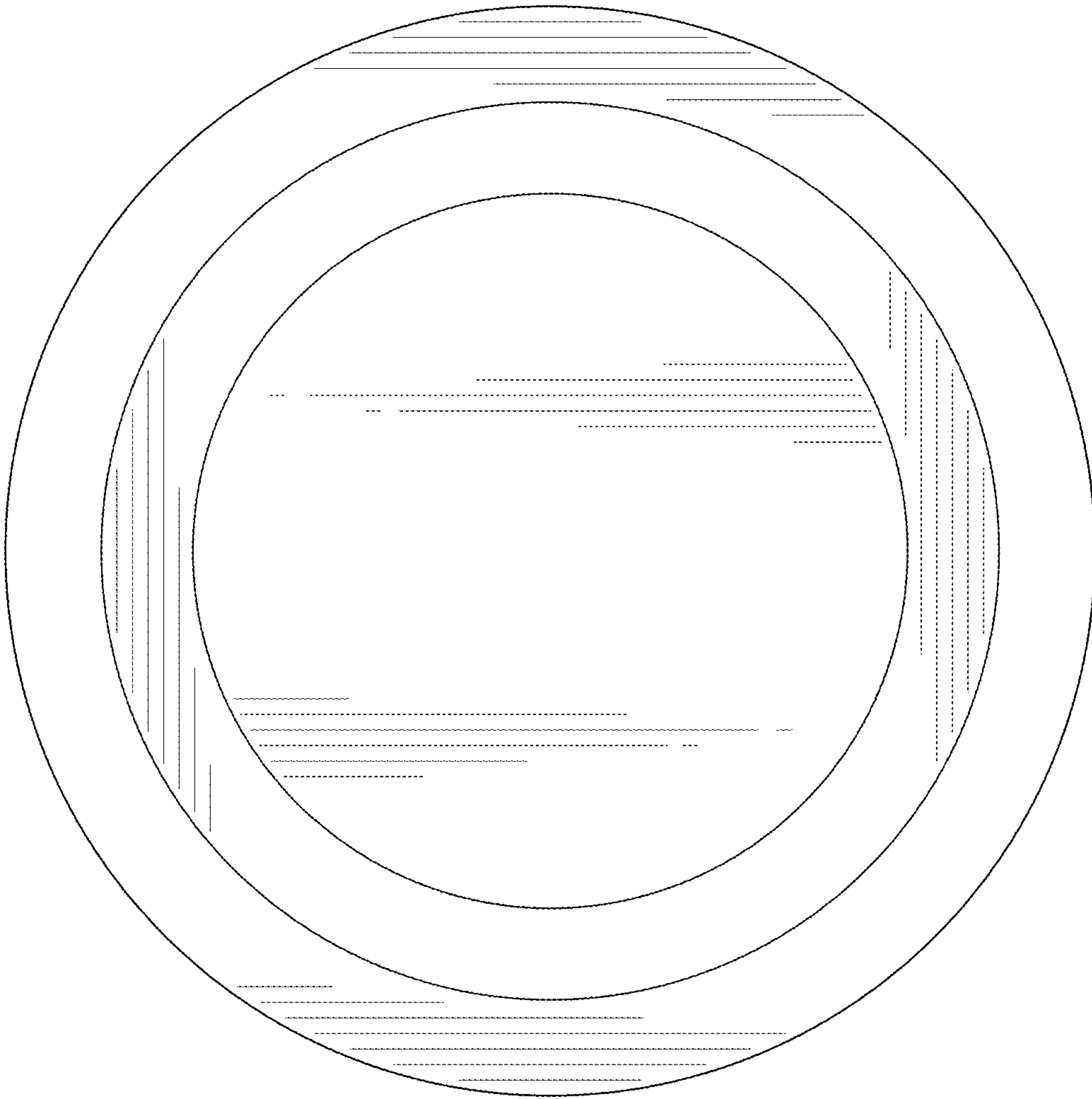


FIG. 8

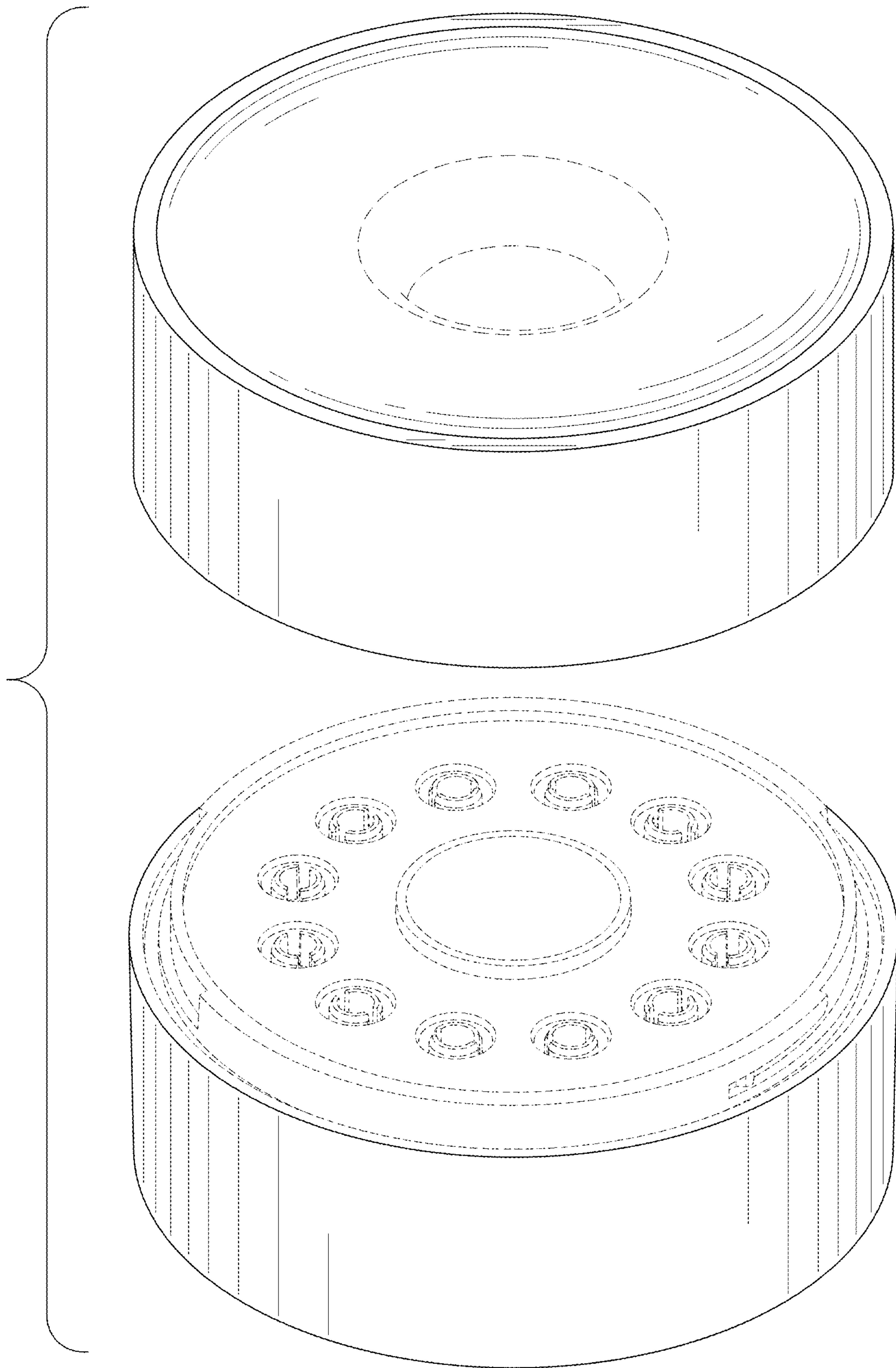


FIG. 9

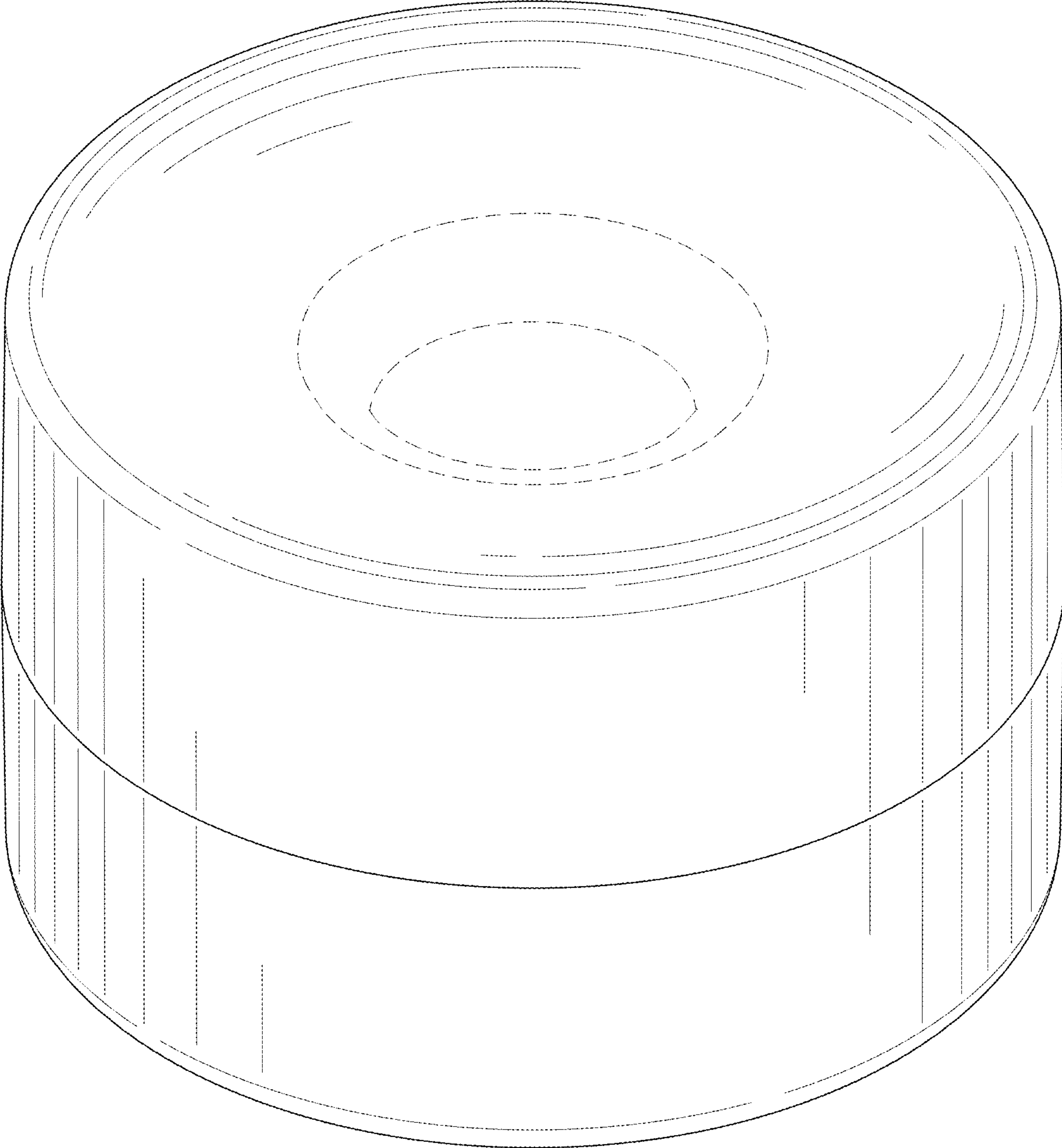


FIG. 10

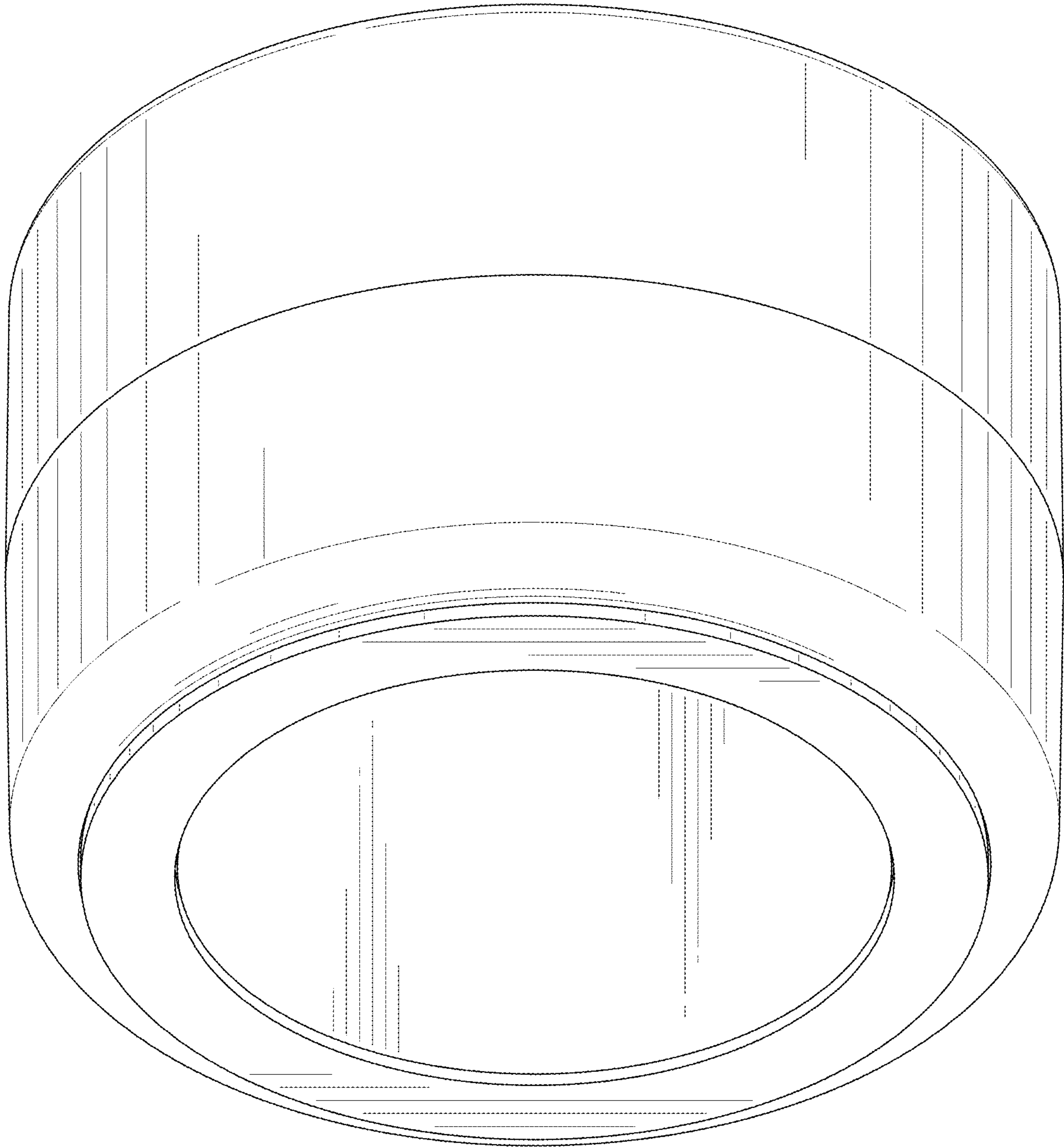


FIG. 11

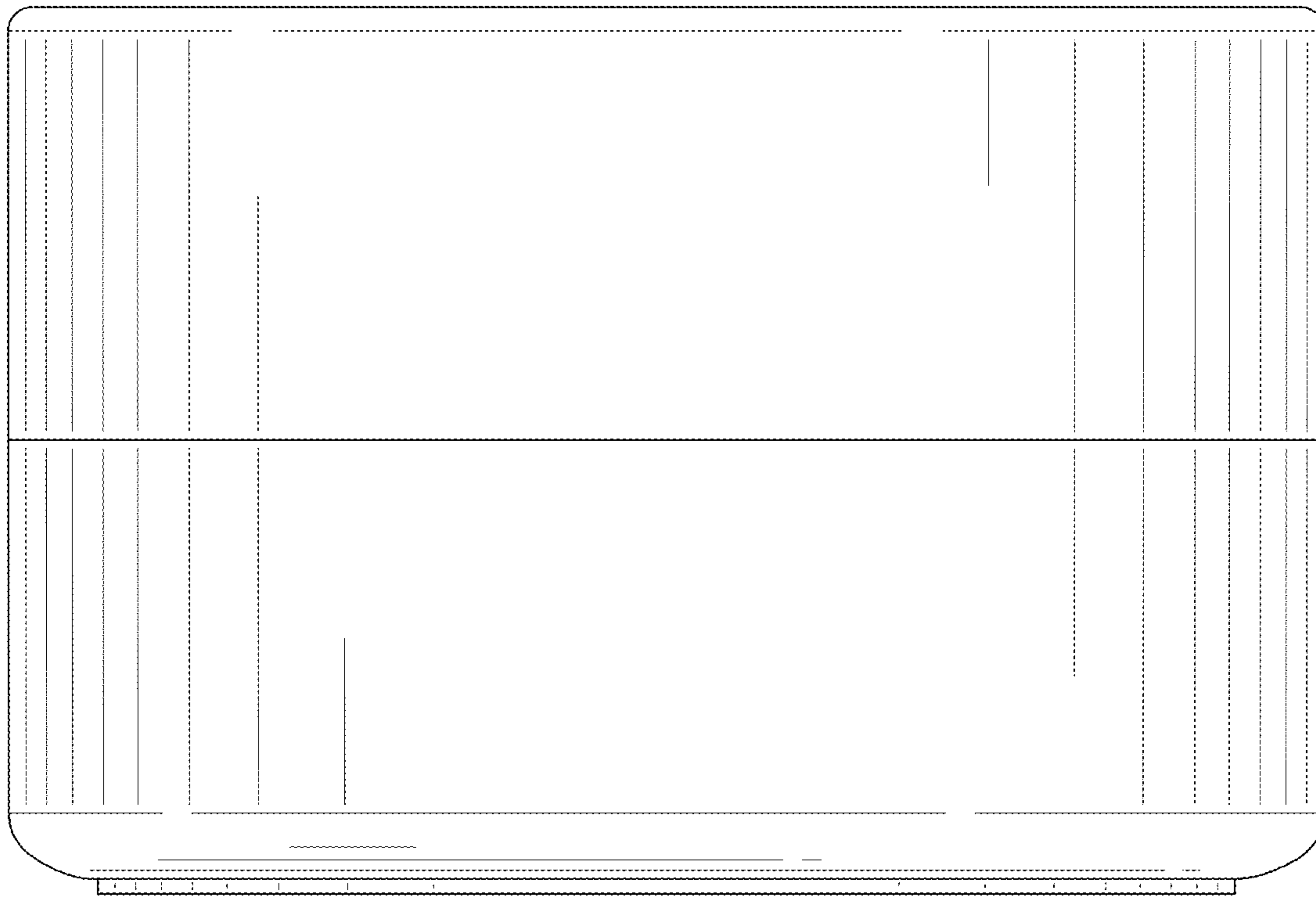


FIG. 12

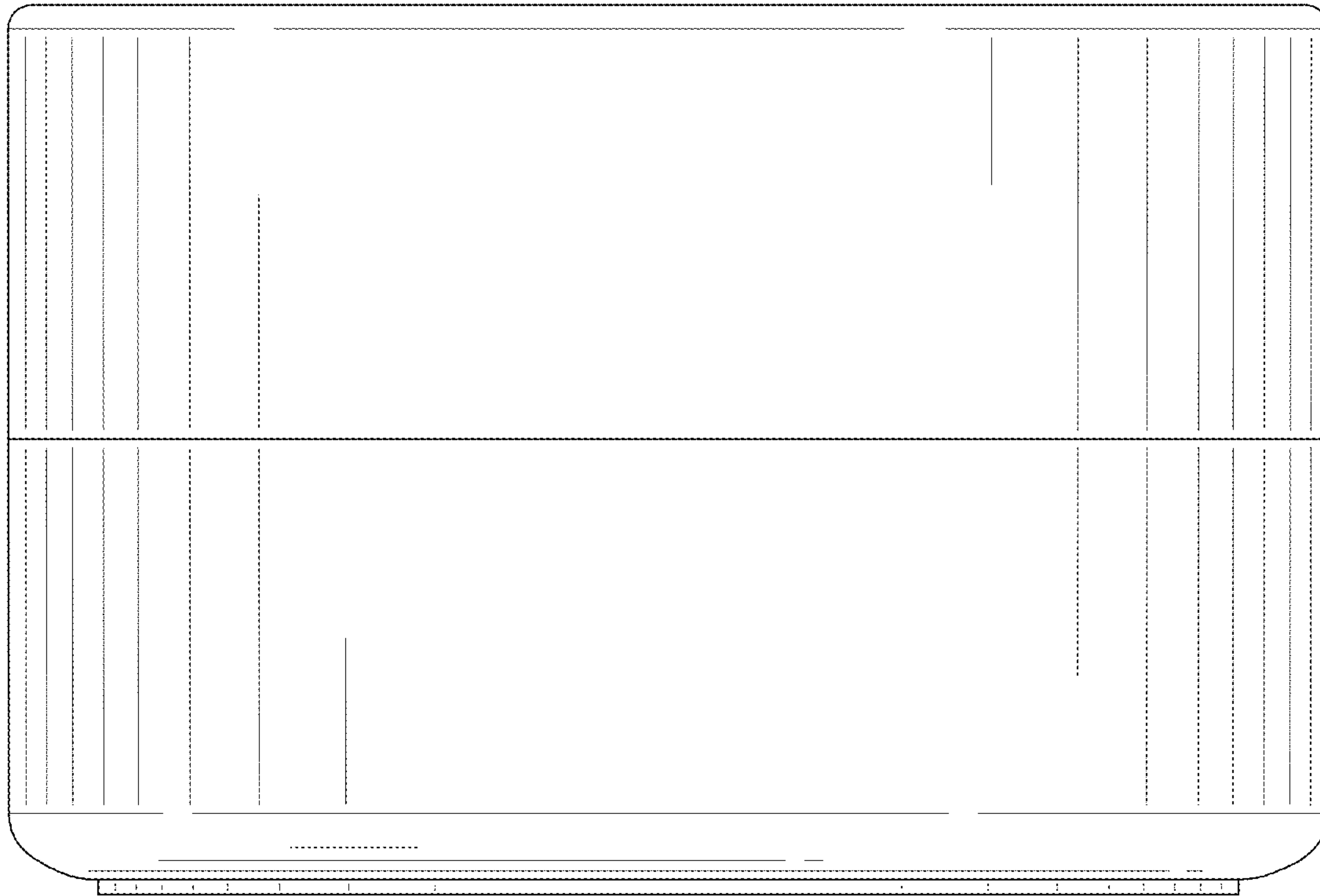


FIG. 13

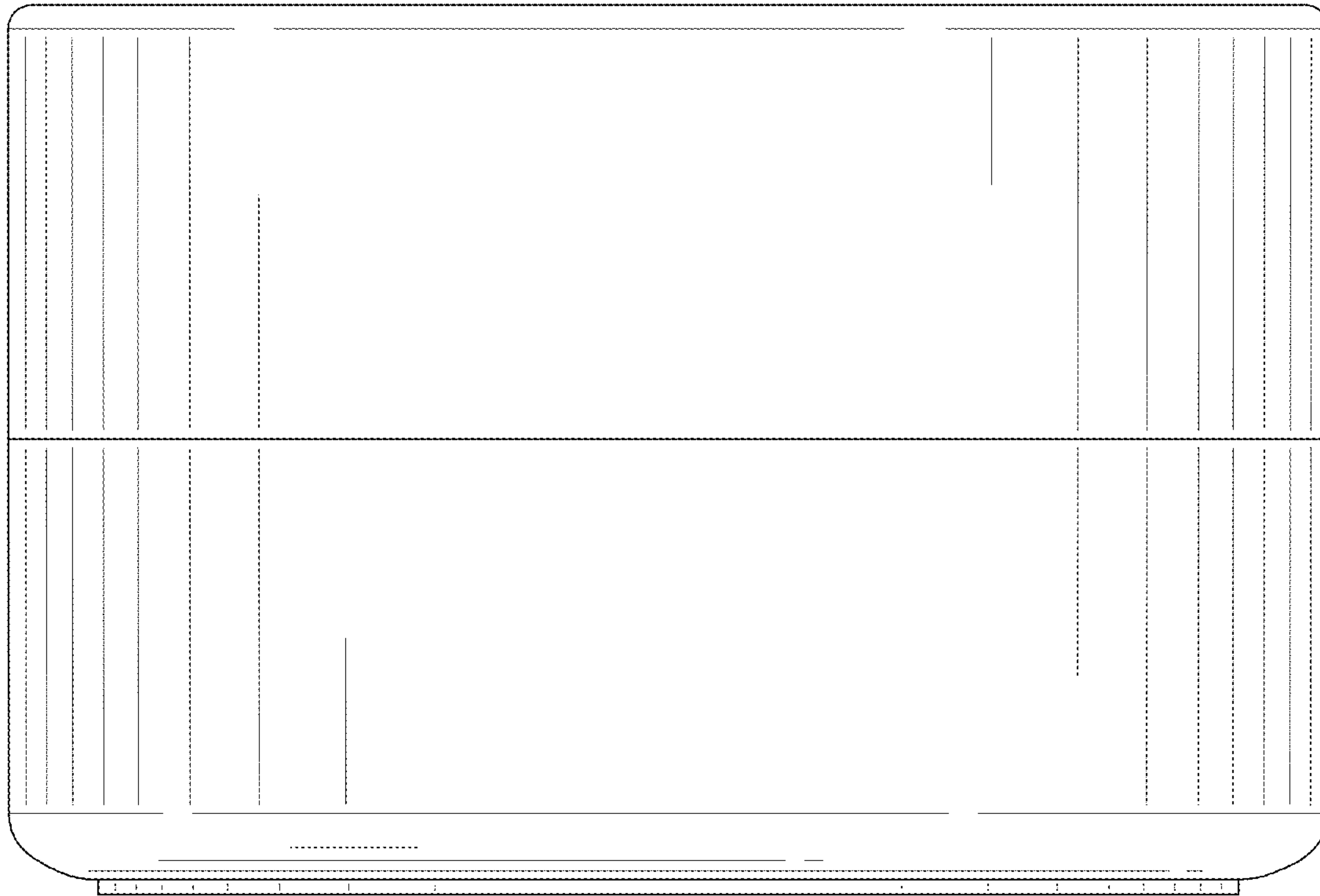


FIG. 14

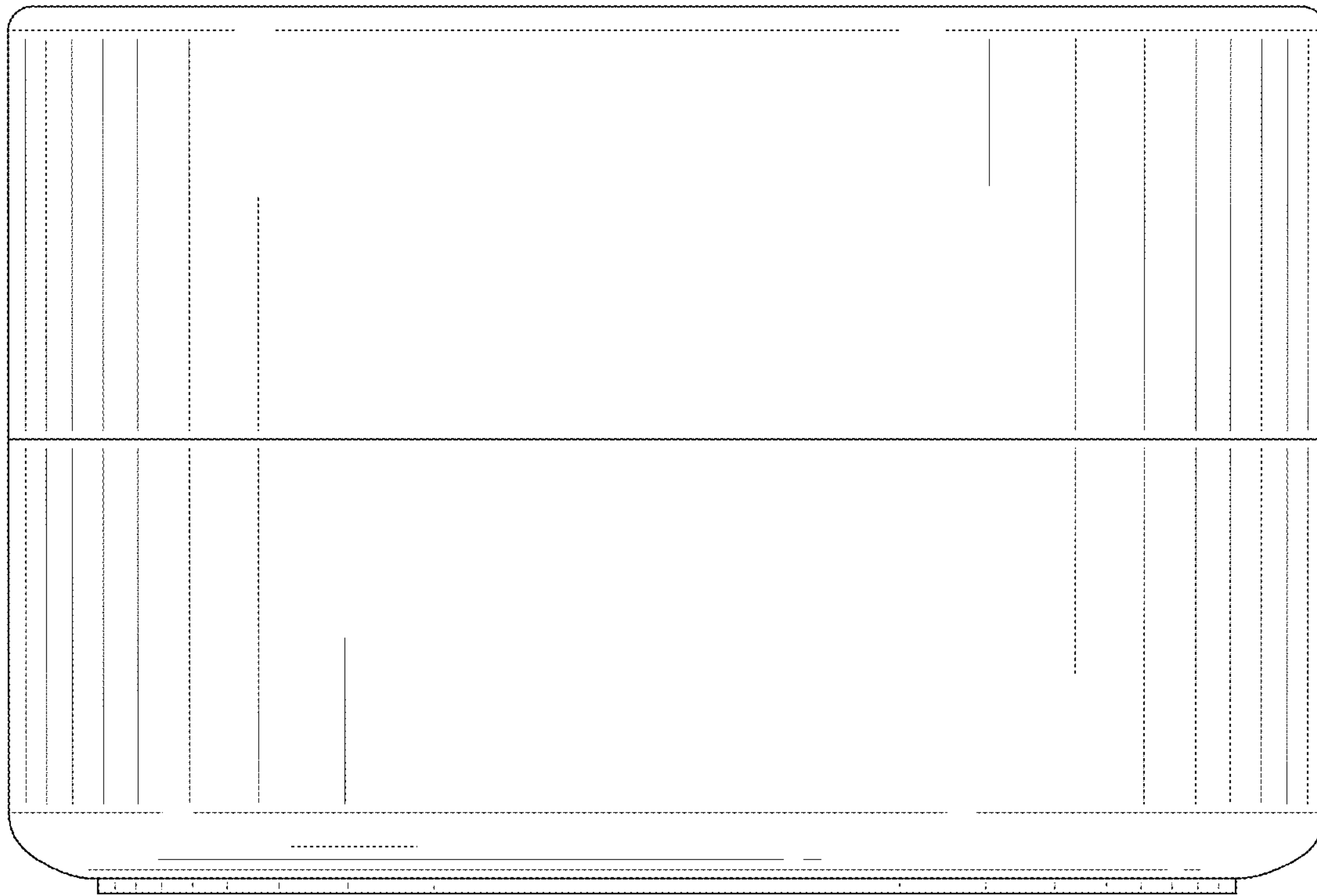


FIG. 15

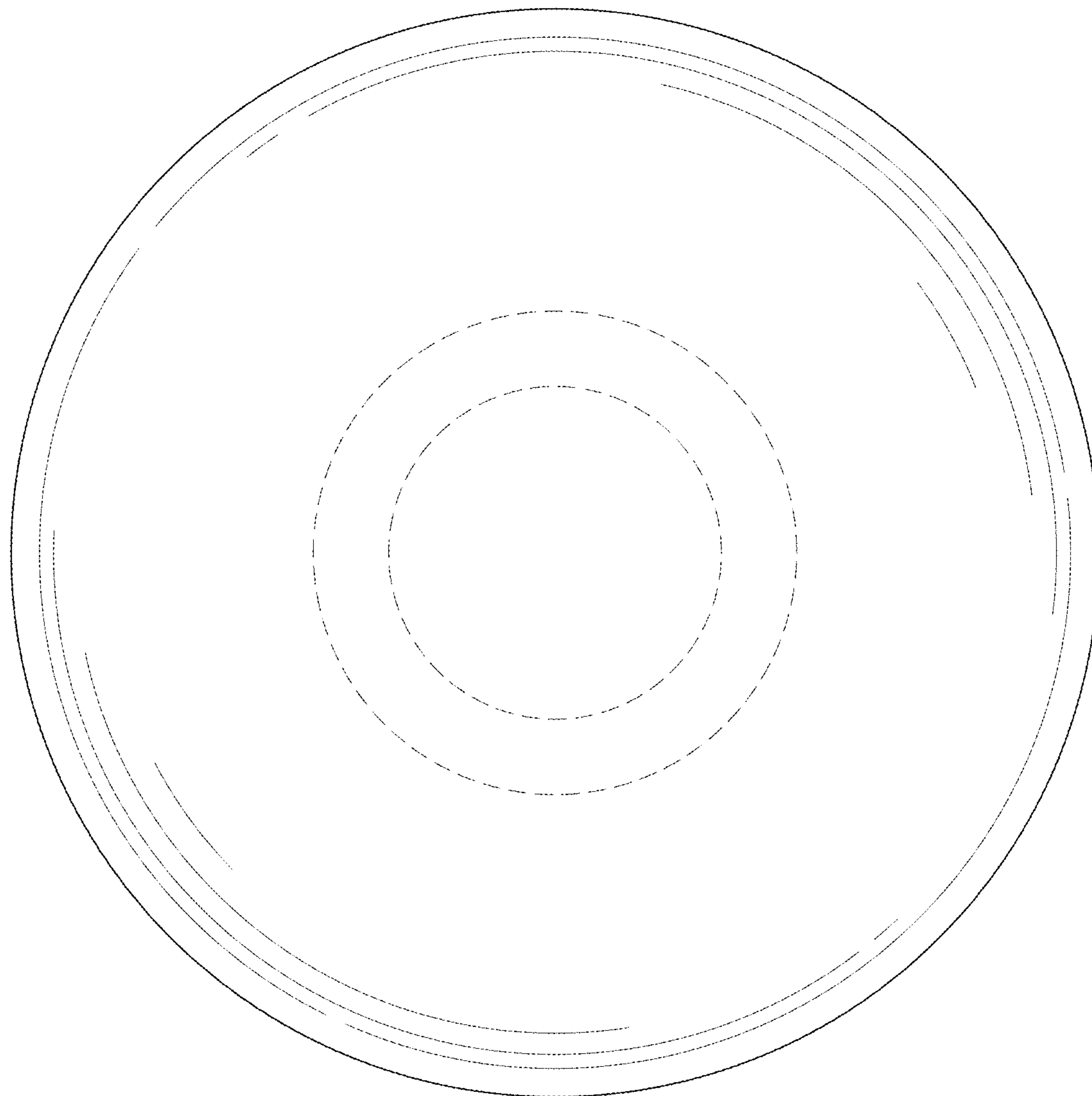


FIG. 16

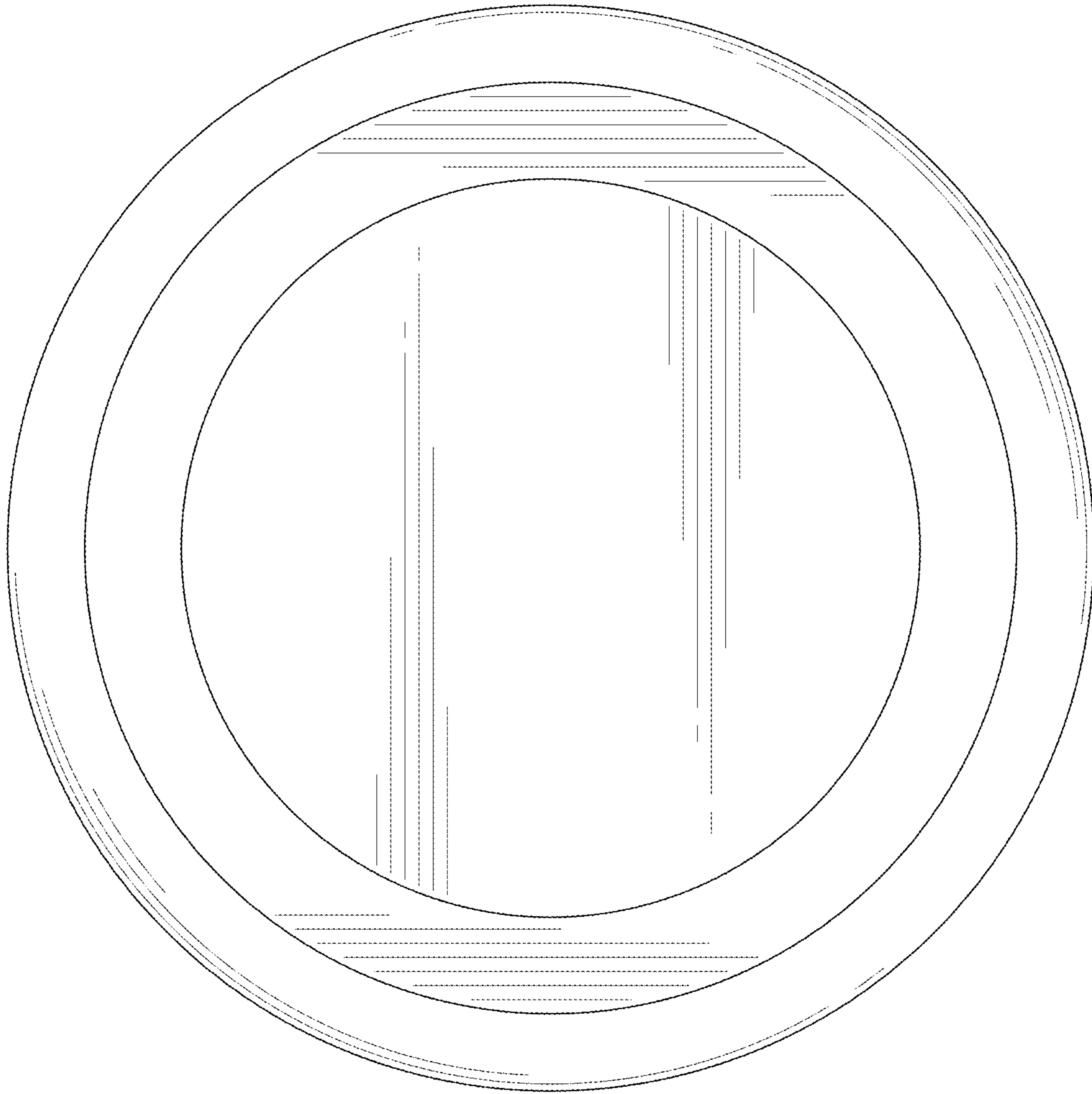


FIG. 17

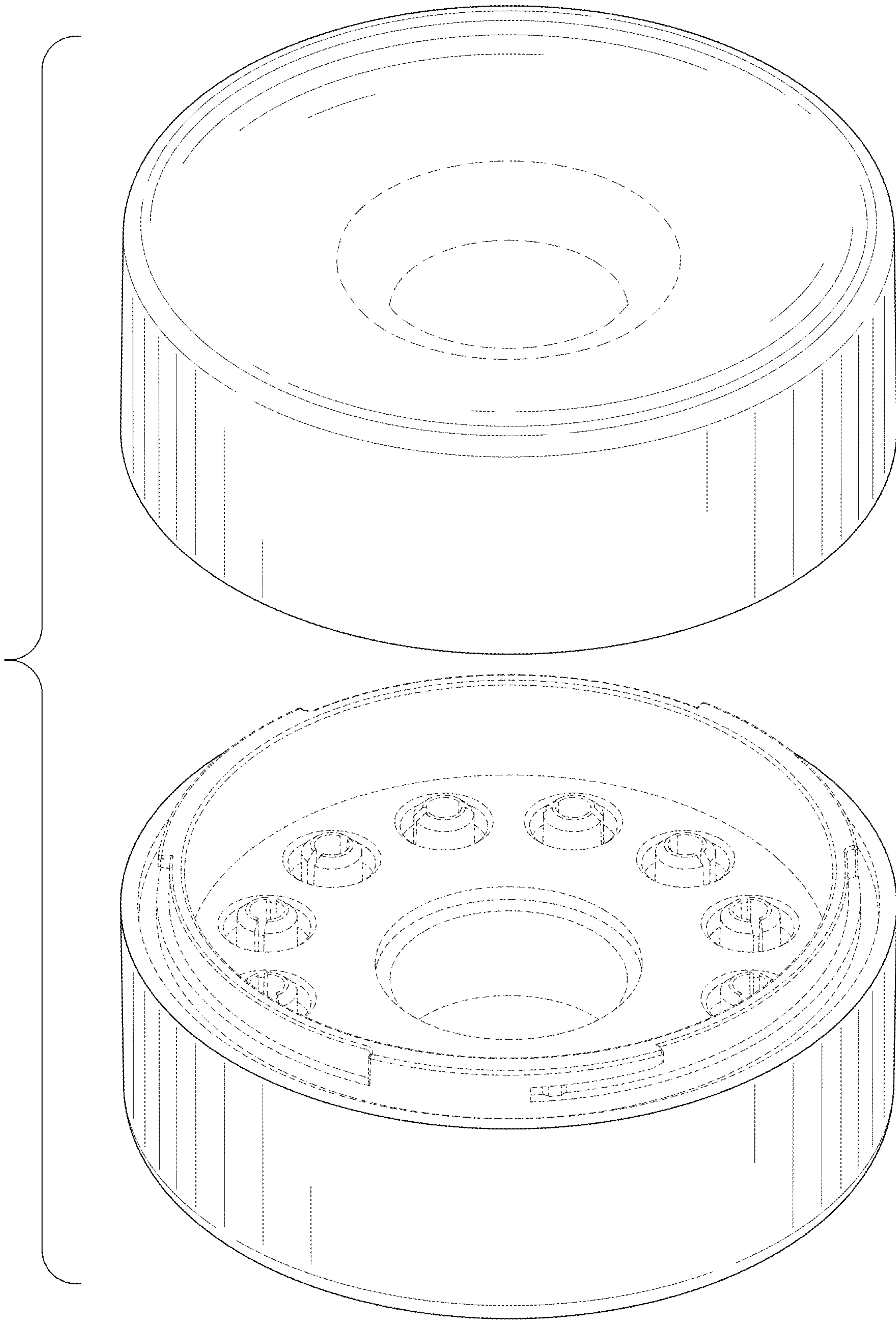


FIG. 18