



(12) **United States Design Patent** (10) **Patent No.:** **US D979,056 S**  
**Egli** (45) **Date of Patent:** **\*\* Feb. 21, 2023**

(54) **PELVIC FLOOR TRAINING DEVICE**  
 (71) Applicant: **Alonea AG**, Seuzach (CH)  
 (72) Inventor: **Wendelin Kilian Egli**, Seuzach (CH)  
 (\*\*) Term: **15 Years**  
 (21) Appl. No.: **35/512,871**  
 (22) Filed: **Oct. 10, 2021**  
 (80) **Hague Agreement Data**  
 Int. Filing Date: **Oct. 10, 2021**  
 Int. Reg. No.: **DM/217002**  
 Int. Reg. Date: **Oct. 10, 2021**  
 Int. Reg. Pub. Date: **Nov. 5, 2021**  
 (51) **LOC (14) Cl.** ..... **24-02**  
 (52) **U.S. Cl.**  
 USPC ..... **D24/141**  
 (58) **Field of Classification Search**  
 USPC ..... D24/141, 200, 209, 206, 207, 208,  
 D24/214-215, 168, 171, 185-192, 231;  
 D13/102-108, 110, 118-119, 184, 199,  
 D13/154, 156, 116; D6/601, 604  
 CPC . A61B 17/29; A61B 17/0218; A61B 17/2909;  
 A61B 17/282; A61B 7/295; A61B  
 2017/2926; A61B 10/04; A61B 10/0096;  
 A61B 10/025; A61H 19/30; A61H 19/32;  
 A61H 19/34; A61H 19/40; A61H 19/44;  
 A61H 19/50; A61H 19/00; A61H  
 2201/0153; A61H 2201/0207; A61H  
 2201/0263; A61H 2201/0111; A61H  
 2201/1253; A61H 2205/082; A61H  
 2205/085; A61H 15/0085; A61M 37/00;  
 A61M 37/0076; A61M 37/0084; A61M  
 5/46; A61M 5/48; H05B 1/00; H05B  
 13/516; H05B 13/518; H05B 13/46;  
 H05B 13/52; H05B 13/50; H05B 13/506;  
 H05B 13/5213; H02G 15/18; H01M  
 2250/30; H01M 2250/40; H01M 2200/30;  
 H01M 10/44; H01M 10/46; H01M  
 10/465; H01M 10/482; H01M 10/4257;  
 H01M 10/0436; H01M 10/48; A61F 7/02;  
 A61F 7/10; A61F 7/106; A61F  
 2007/0001; A61F 2007/0024; A61F

2007/0025; A61F 2007/0026; A61F  
 2007/0027; A61F 2007/0029; A61F  
 (Continued)

(56) **References Cited**

U.S. PATENT DOCUMENTS

5,681,092 A \* 10/1997 Hanson ..... A61G 5/1043  
 297/452.41  
 D704,848 S \* 5/2014 Thomas ..... D24/200  
 (Continued)

FOREIGN PATENT DOCUMENTS

JP D2021-01363 \* 12/2021  
 KR 3020210028156 \* 6/2021

OTHER PUBLICATIONS

Pelvic Floor Trainer Pelvictool Home & Sport, alonea.ch, [online],  
 [site visited Aug. 5, 2022], Available from internet URL: <https://alonea.ch/en/product/pelvic-trainer-pelvictool-home-sport/> (Year:  
 2022).\*

*Primary Examiner* — Samantha Q Lawrence  
*Assistant Examiner* — Holly M Rodriguez

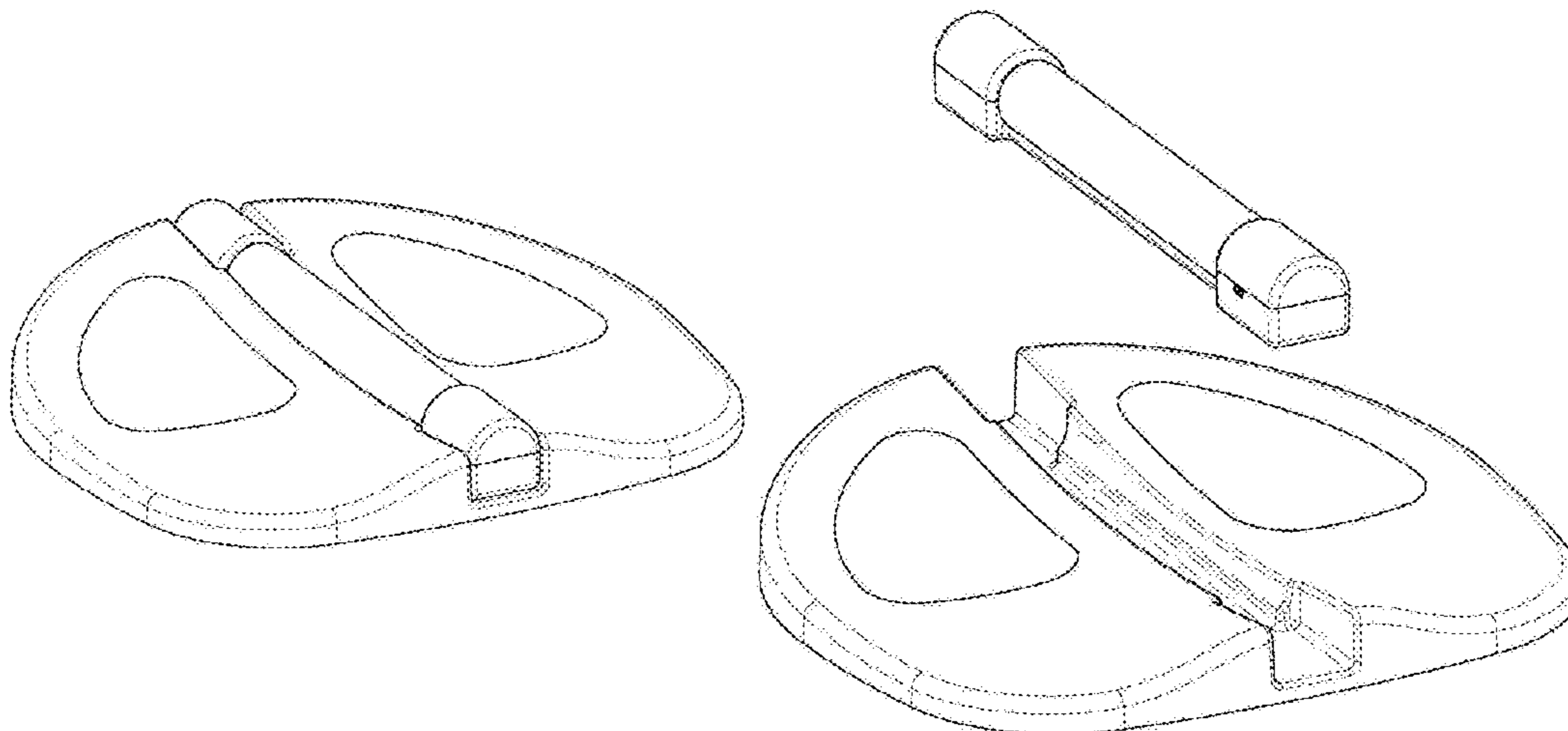
(57) **CLAIM**

The ornamental design for a pelvic floor training device, as shown and described.

**DESCRIPTION**

1. Pelvic floor training device  
 Figure 1.1 is a perspective view of a pelvic floor training device;  
 Figure 1.2 is a right view thereof;  
 Figure 1.3 is a bottom view thereof;  
 Figure 1.4 is a top view thereof; and  
 Figure 1.5 is a front view thereof;  
 Figure 1.6 is a back view thereof; and  
 Figure 1.7 is a exploded view thereof.

**1 Claim, 7 Drawing Sheets**



(58) **Field of Classification Search**

CPC ..... 2007/0091; A61F 2007/0092; A61F  
2007/0215; A61F 2007/0217; A61F  
2007/0219; A61N 1/36014; A61N  
1/36021; A61N 1/36057; A61N 1/36036  
See application file for complete search history.

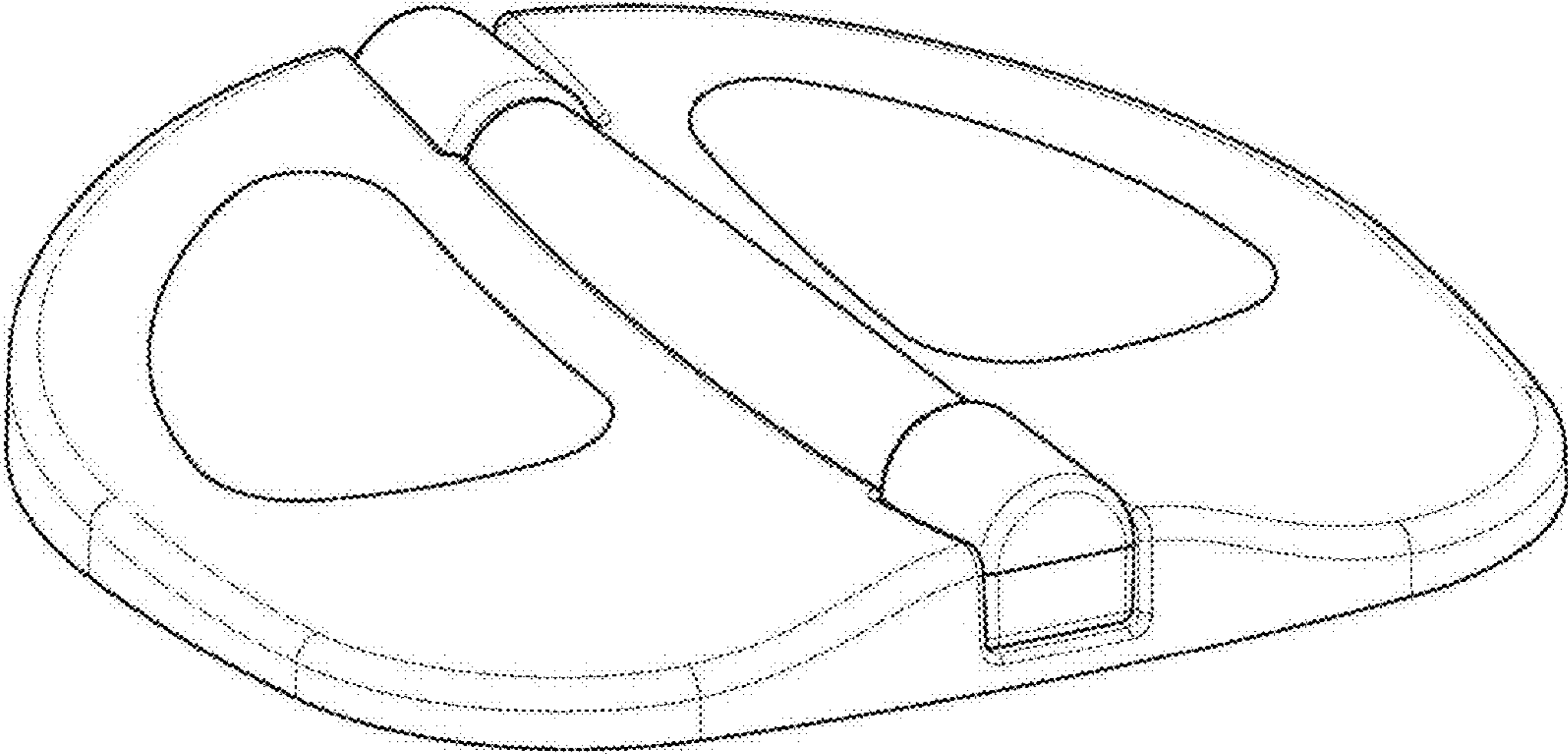
(56) **References Cited**

U.S. PATENT DOCUMENTS

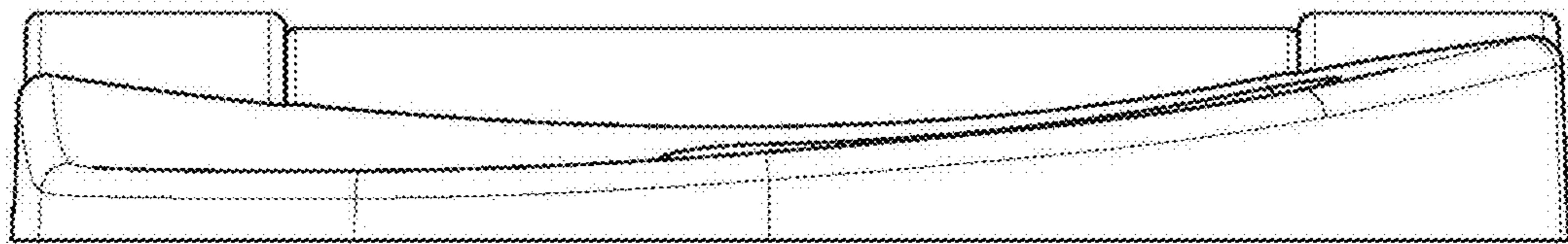
|                   |        |                            |                       |
|-------------------|--------|----------------------------|-----------------------|
| D712,052 S *      | 8/2014 | Thomas .....               | D24/200               |
| D754,358 S *      | 4/2016 | Krullaards .....           | D24/188               |
| 9,591,925 B2 *    | 3/2017 | Qureshi .....              | A47C 7/021            |
| D810,311 S *      | 2/2018 | Chen .....                 | D24/200               |
| D913,384 S *      | 3/2021 | Thiel .....                | D21/686               |
| 2007/0142191 A1 * | 6/2007 | Schuurmans Stekhoven ..... | A63B 23/20<br>482/148 |

\* cited by examiner

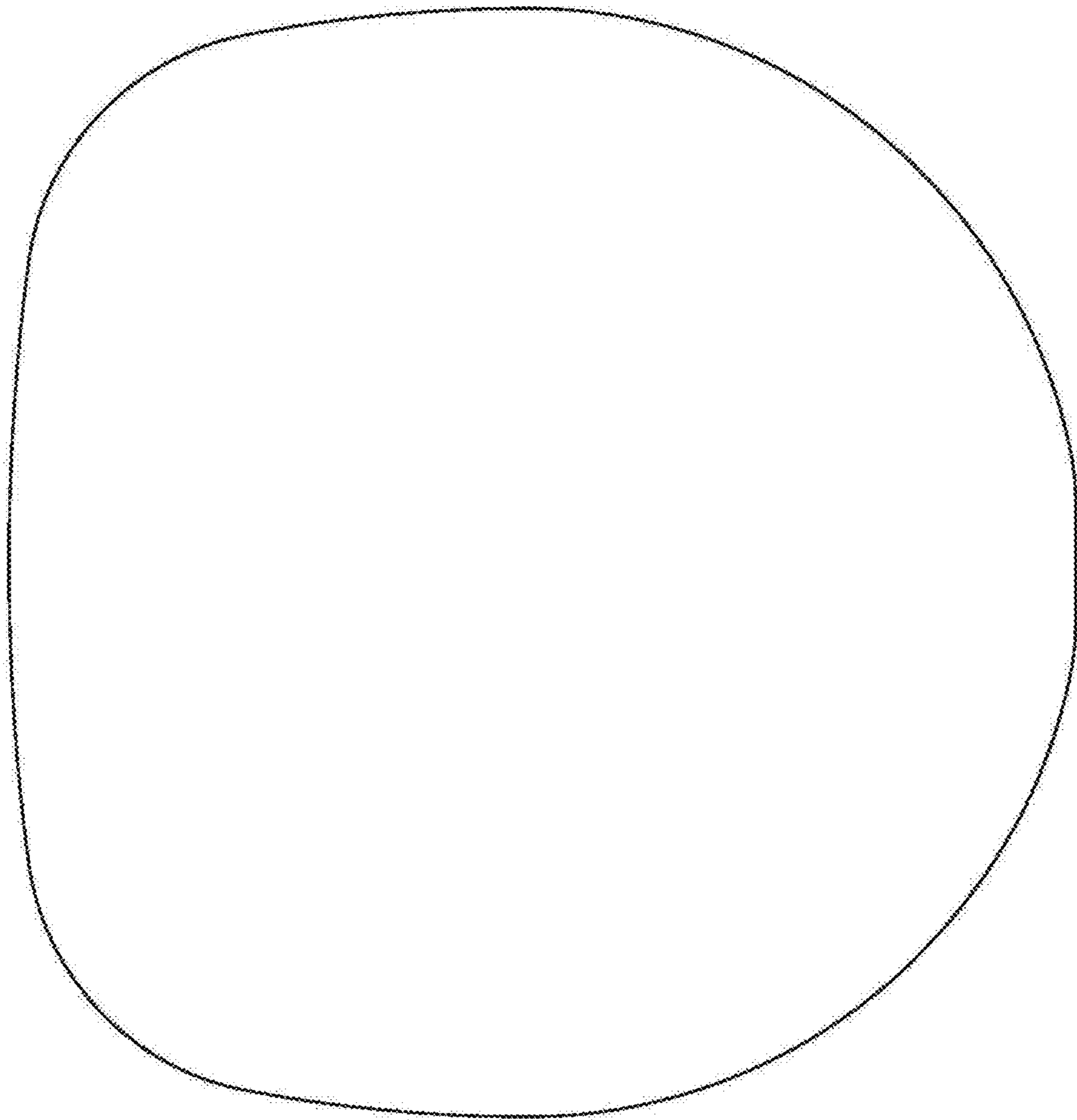
1.1



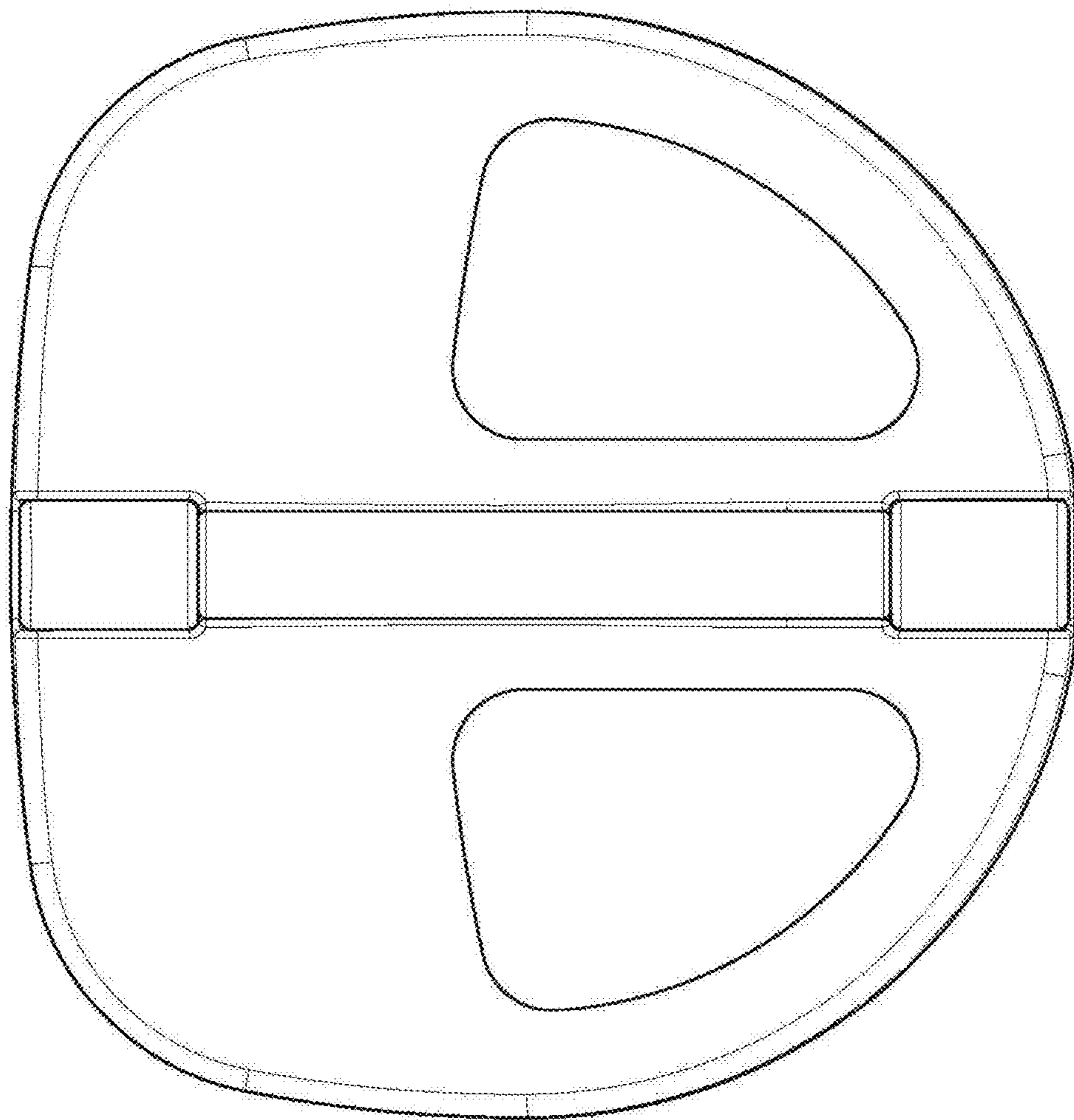
1.2



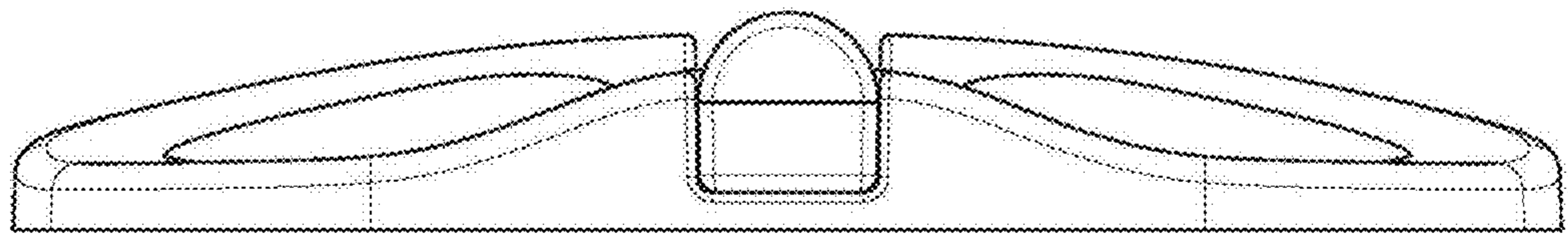
1.3



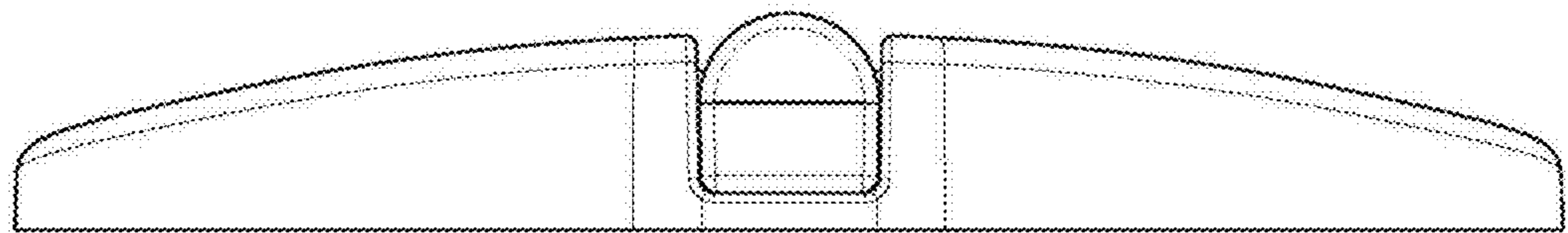
1.4



1.5



1.6





1.7

