



US00D979054S

(12) **United States Design Patent**  
**Lee-Sepsick et al.**

(10) **Patent No.:** **US D979,054 S**  
(45) **Date of Patent:** **\*\* Feb. 21, 2023**

- (54) **SYRINGE LOCK**
- (71) Applicant: **Femasys, Inc.**, Suwanee, GA (US)
- (72) Inventors: **Kathy Lee-Sepsick**, Suwanee, GA (US); **Jeremy A. Sipos**, Alpharetta, GA (US)
- (73) Assignee: **FEMASYS INC.**, Suwanee, GA (US)
- (\*\*) Term: **15 Years**
- (21) Appl. No.: **29/709,130**
- (22) Filed: **Oct. 11, 2019**
- (51) **LOC (14) Cl.** ..... **24-02**
- (52) **U.S. Cl.**  
USPC ..... **D24/130**
- (58) **Field of Classification Search**  
USPC ..... D24/127-131, 112-114, 133, 186, 118, D24/108; 606/181, 185; 604/264, 604/523-528, 272, 187, 158, 604/164.01-164.11, 181, 184, 227  
CPC ..... A61M 5/178; A61M 3/00; A61M 5/20; A61M 5/31; A61M 5/3146; A61M 5/3129; A61M 5/3148; A61M 5/315  
See application file for complete search history.

- (56) **References Cited**  
U.S. PATENT DOCUMENTS
- |              |         |                  |                        |
|--------------|---------|------------------|------------------------|
| D293,130 S * | 12/1987 | Ashie .....      | D24/128                |
| D397,790 S * | 9/1998  | Naganuma .....   | D24/127                |
| D401,688 S * | 11/1998 | Coe .....        | D24/231                |
| D649,241 S * | 11/2011 | Kunishige .....  | D24/129                |
| D790,691 S * | 6/2017  | Davis .....      | D24/130                |
| D790,692 S * | 6/2017  | Pappalardo ..... | D24/130                |
| D793,552 S * | 8/2017  | Schiller .....   | A61M 5/3137<br>D24/130 |
| D794,185 S * | 8/2017  | Dolk .....       | D24/130                |
| D794,187 S * | 8/2017  | Dolk .....       | D24/130                |

- |                   |         |                  |                         |
|-------------------|---------|------------------|-------------------------|
| D796,670 S *      | 9/2017  | Dolk .....       | D24/130                 |
| D797,282 S *      | 9/2017  | Dolk .....       | D24/130                 |
| D798,444 S *      | 9/2017  | Darras .....     | D24/130                 |
| D799,034 S *      | 10/2017 | Nguyen .....     | D24/130                 |
| D800,900 S *      | 10/2017 | Darras .....     | D24/130                 |
| D805,638 S *      | 12/2017 | Pappalardo ..... | D24/130                 |
| D812,223 S *      | 3/2018  | Evans .....      | D24/130                 |
| D814,026 S *      | 3/2018  | Darras .....     | D24/130                 |
| D815,277 S *      | 4/2018  | Eury .....       | D24/129                 |
| D815,279 S *      | 4/2018  | Darras .....     | D24/130                 |
| D824,516 S *      | 7/2018  | Ohashi .....     | D24/130                 |
| D842,463 S *      | 3/2019  | Grunhut .....    | D24/130                 |
| D845,476 S *      | 4/2019  | Evans .....      | D24/130                 |
| D870,272 S *      | 12/2019 | Goulinet .....   | D24/114                 |
| D895,110 S *      | 9/2020  | Takada .....     | D24/130                 |
| 2005/0192544 A1 * | 9/2005  | Wolbring .....   | A61M 5/31501<br>604/218 |

(Continued)

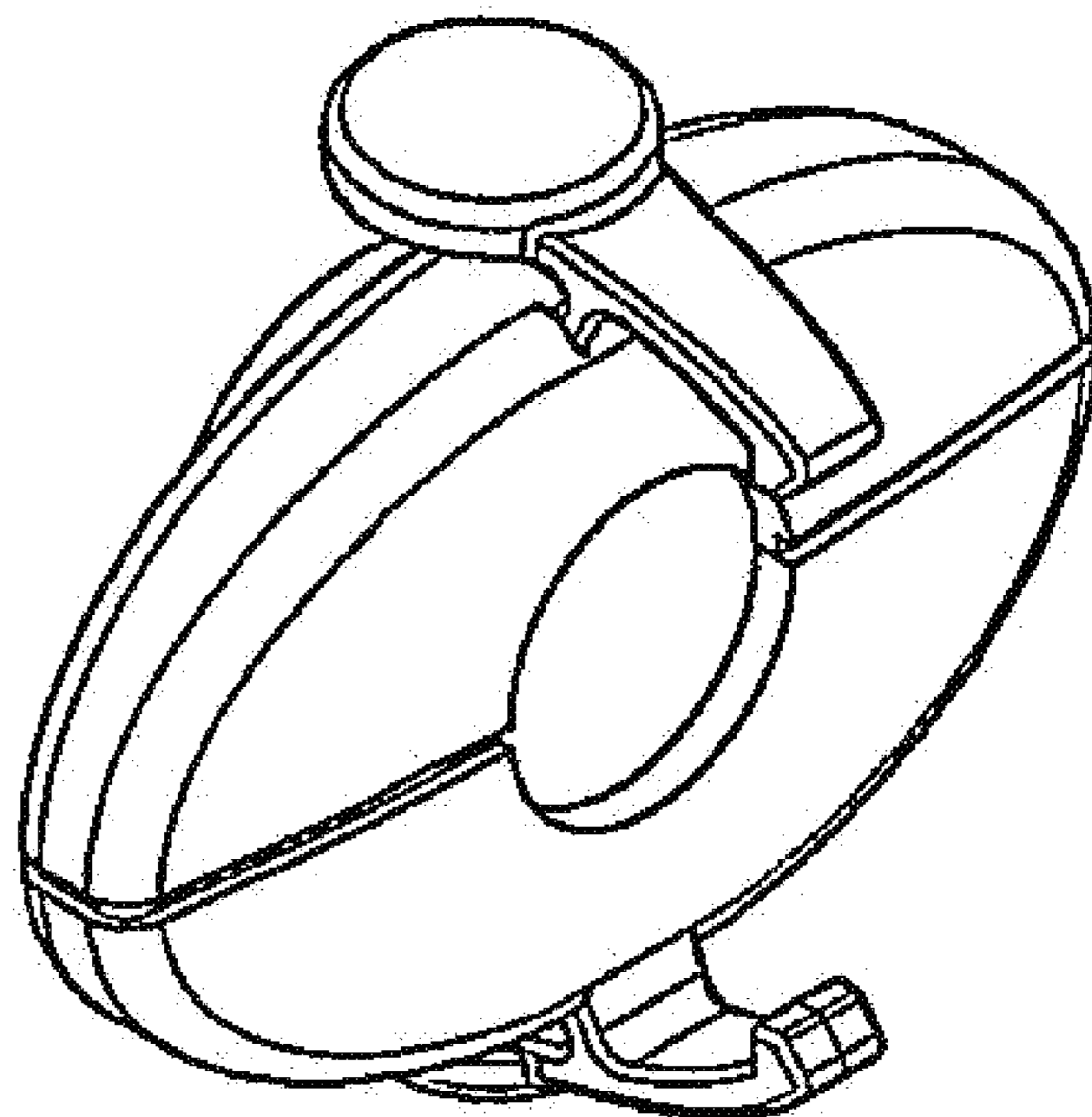
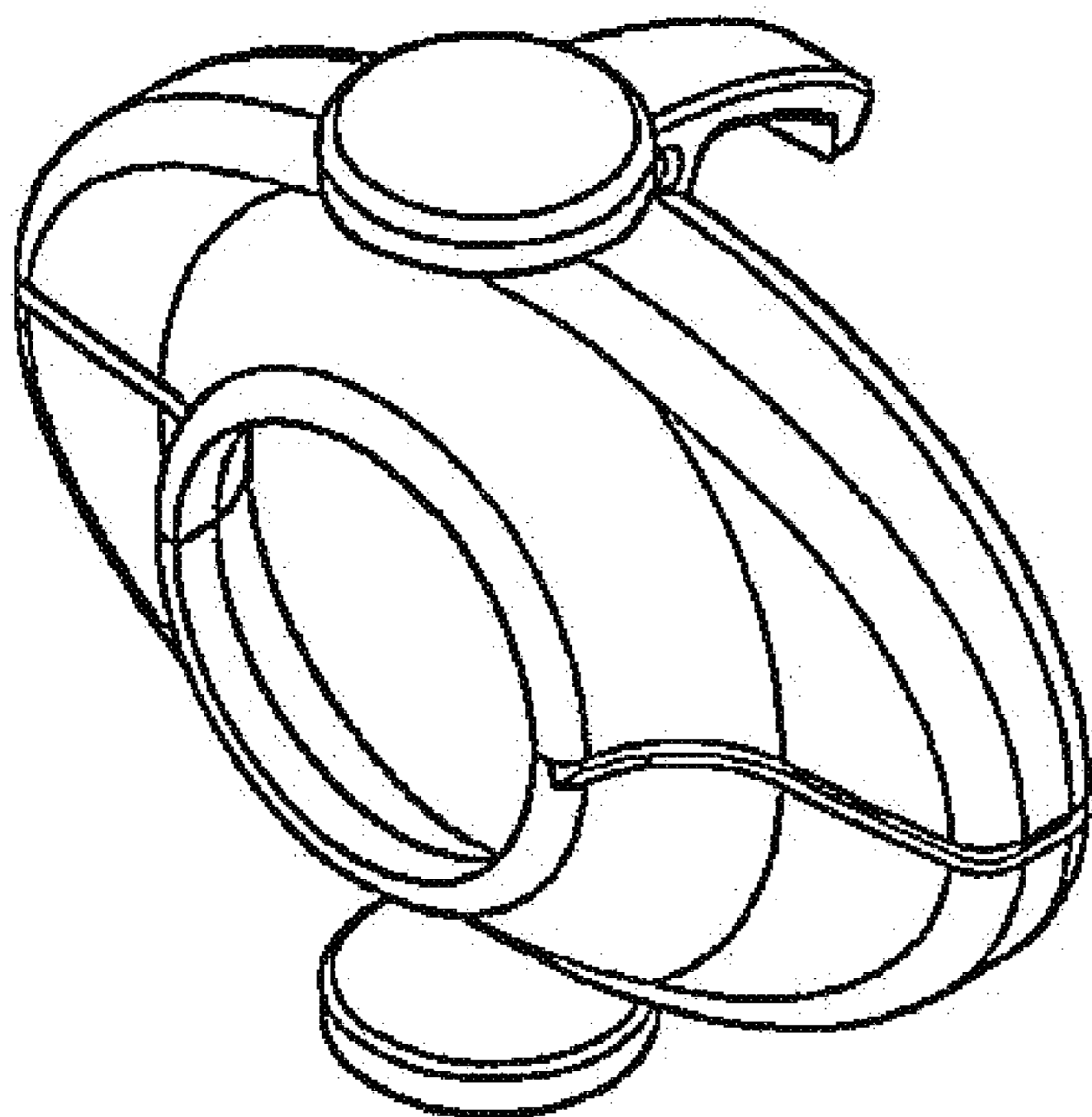
*Primary Examiner* — Nathan M Johnston  
(74) *Attorney, Agent, or Firm* — Mary Anthony Merchant

(57) **CLAIM**  
The ornamental design for a syringe lock, as shown and described.

**DESCRIPTION**

FIG. 1 is a perspective view from the bottom of an embodiment of a syringe lock of the present disclosure; FIG. 2 is a perspective view from the top of the device of FIG. 1; FIG. 3 is a bottom view of the device of FIG. 1; FIG. 4 is a top view of the device of FIG. 1; FIG. 5 is a front elevational view of the device of FIG. 1; FIG. 6 is a back elevational view of the device of FIG. 1; FIG. 7 is a left elevational view of the device of FIG. 1; and, FIG. 8 is a right elevational view of the device of FIG. 1. Broken lines are used to illustrate portions of the syringe lock, other broken lines illustrate environmental subject matter, neither form no part of the claimed design.

**1 Claim, 1 Drawing Sheet**



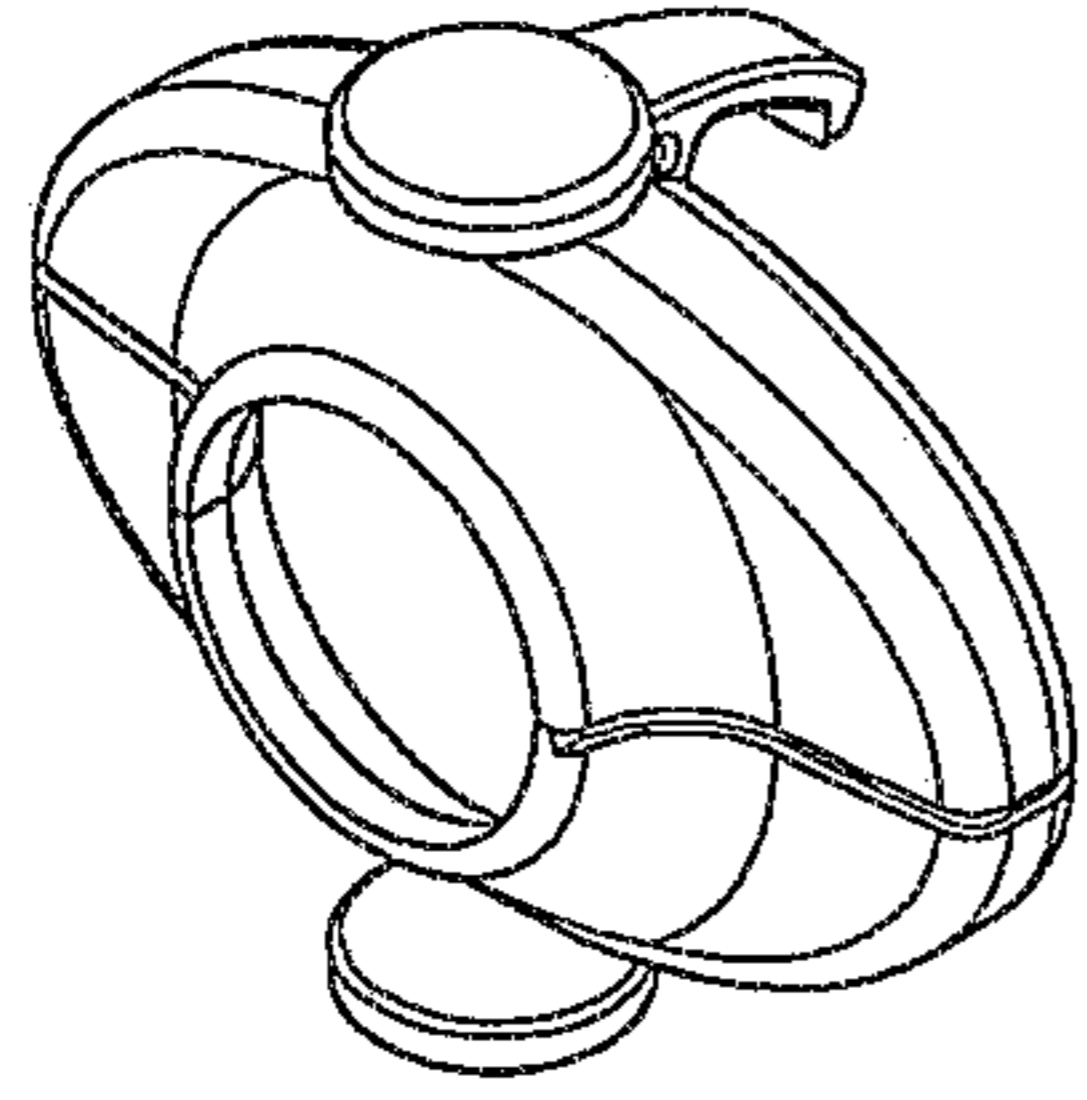
(56)

**References Cited**

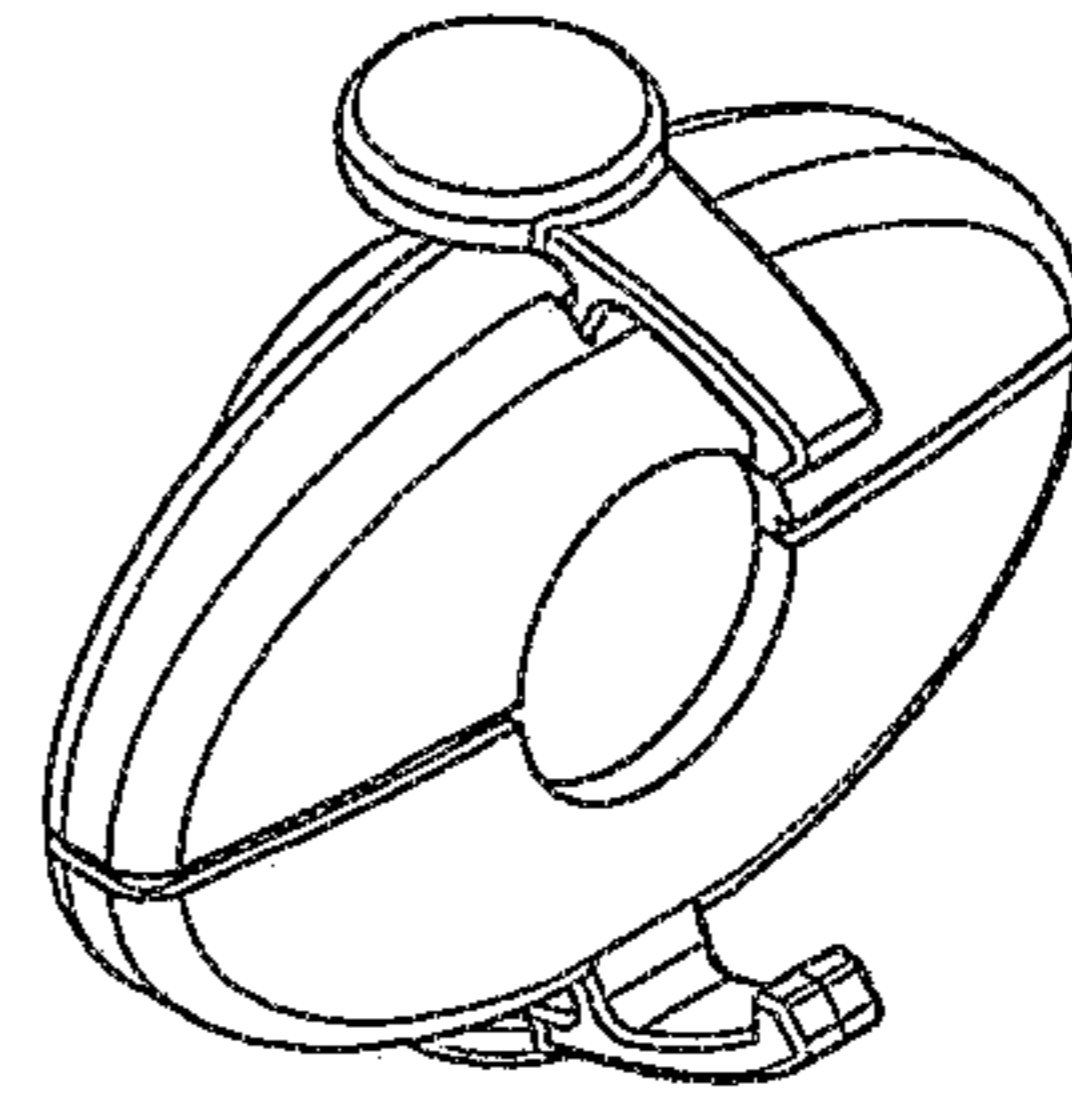
U.S. PATENT DOCUMENTS

2014/0005610 A1\* 1/2014 Kakiuchi ..... A61M 5/31586  
604/227

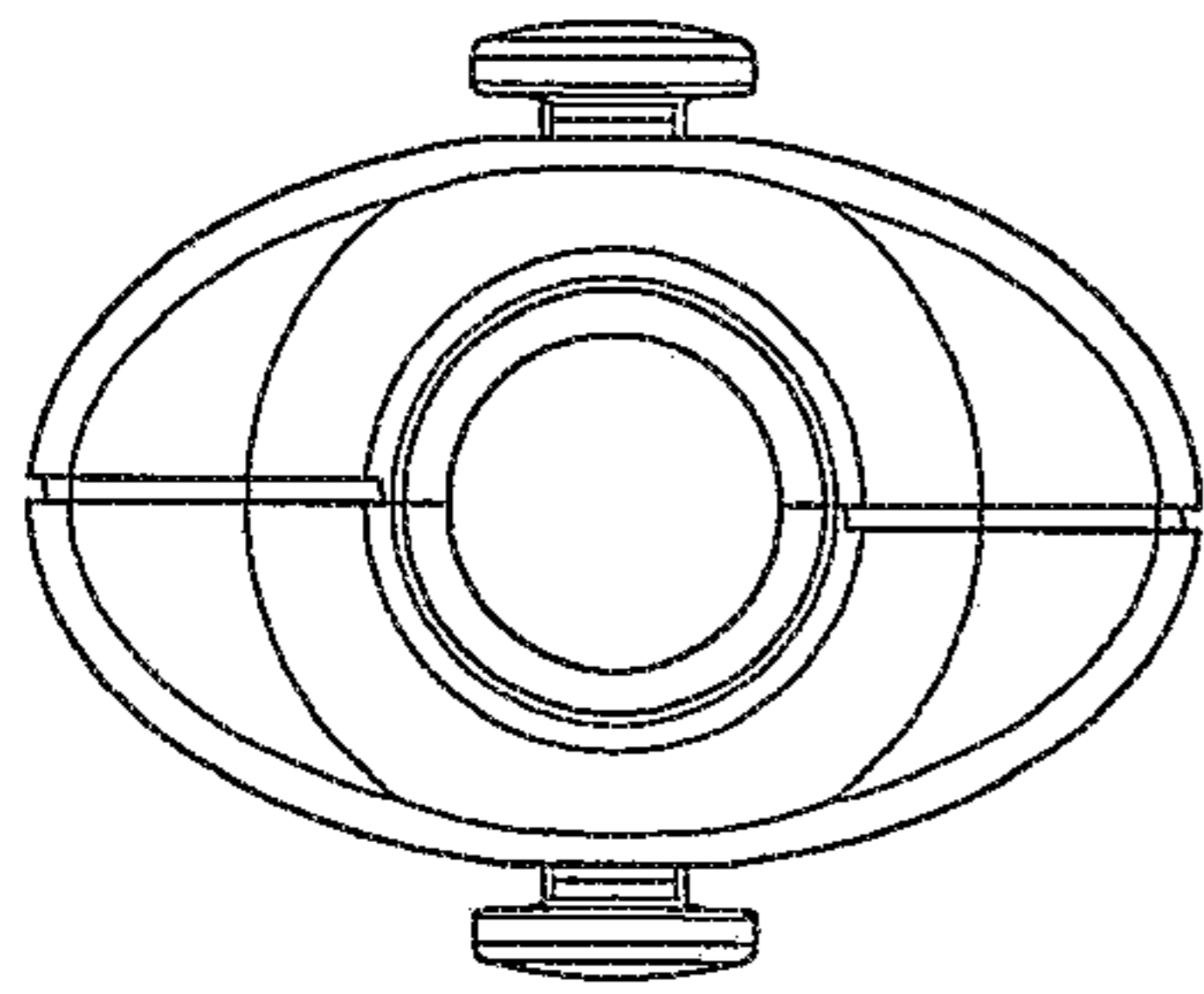
\* cited by examiner



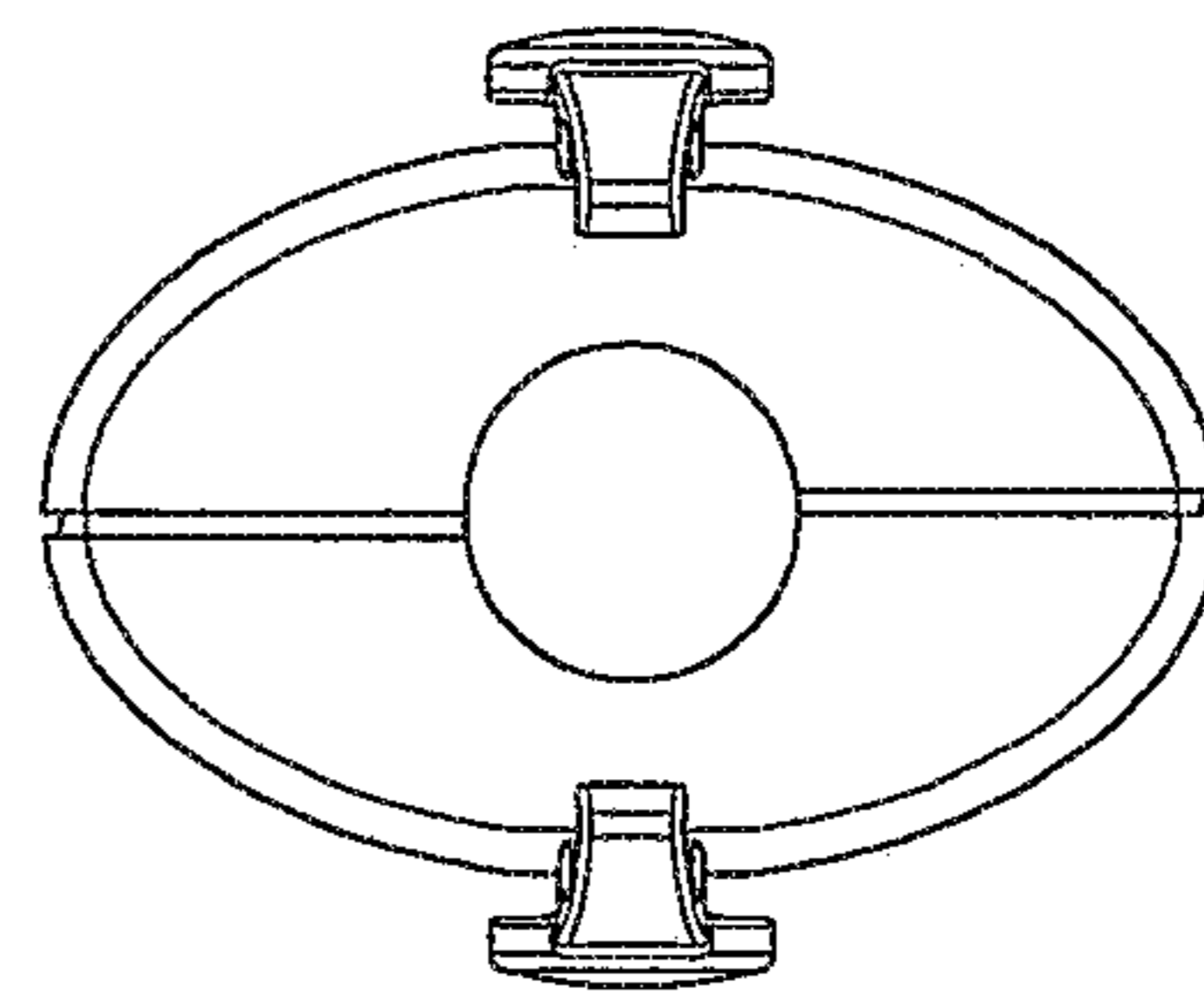
**FIG. 1**



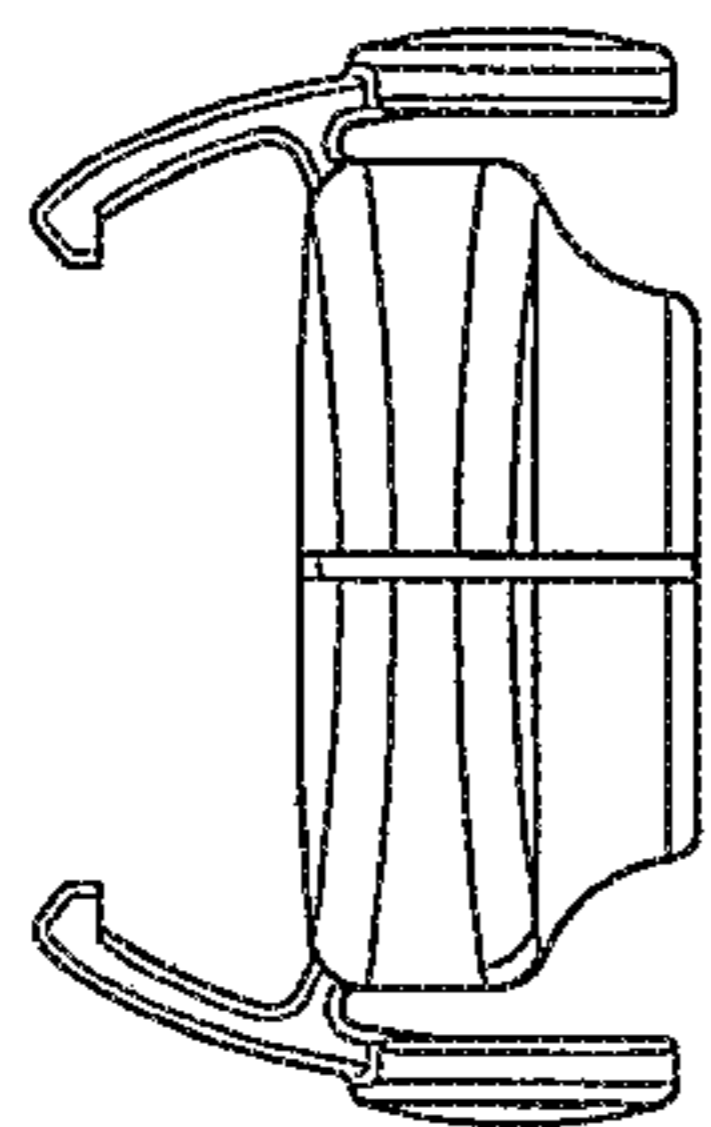
**FIG. 2**



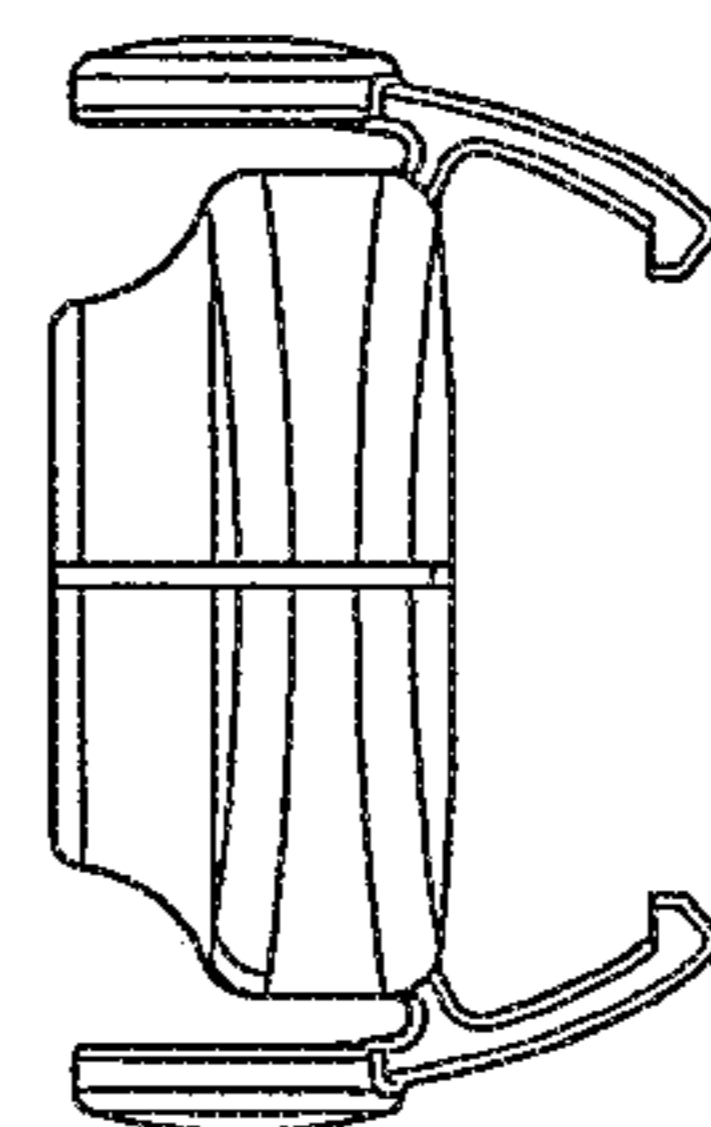
**FIG. 3**



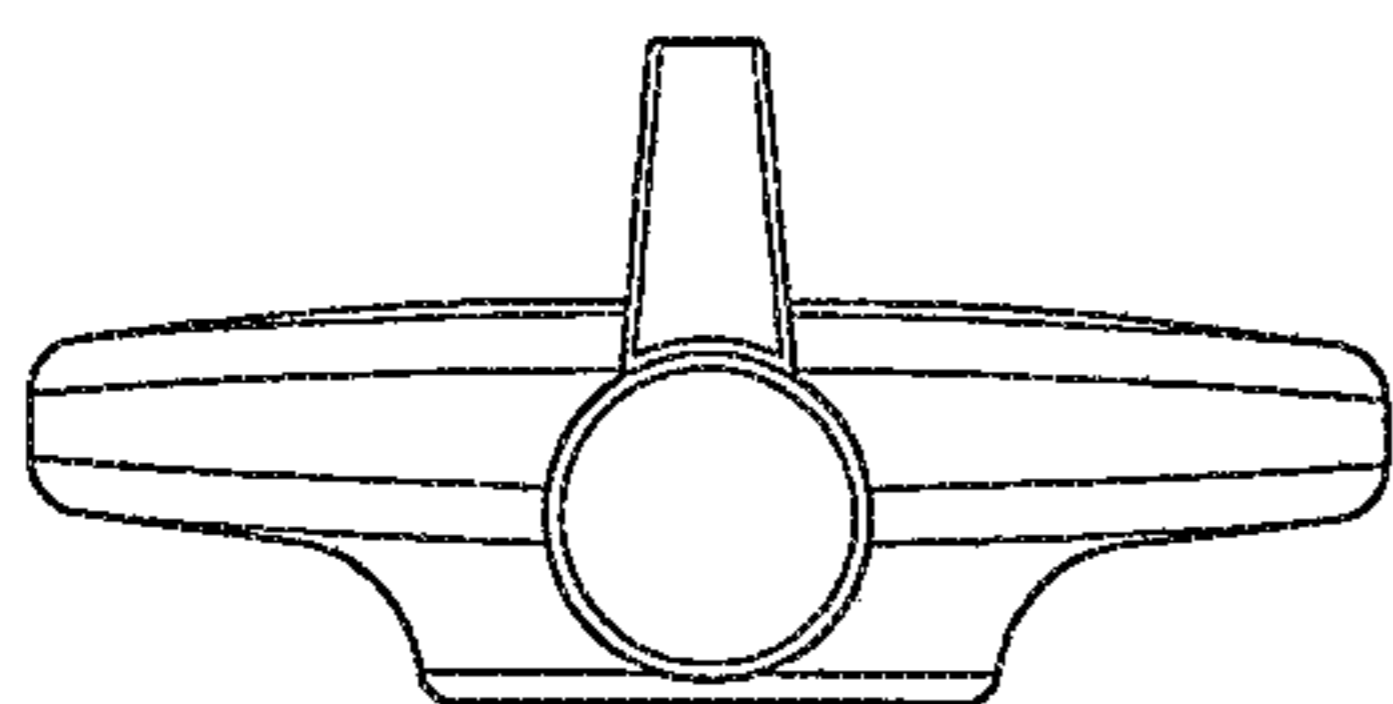
**FIG. 4**



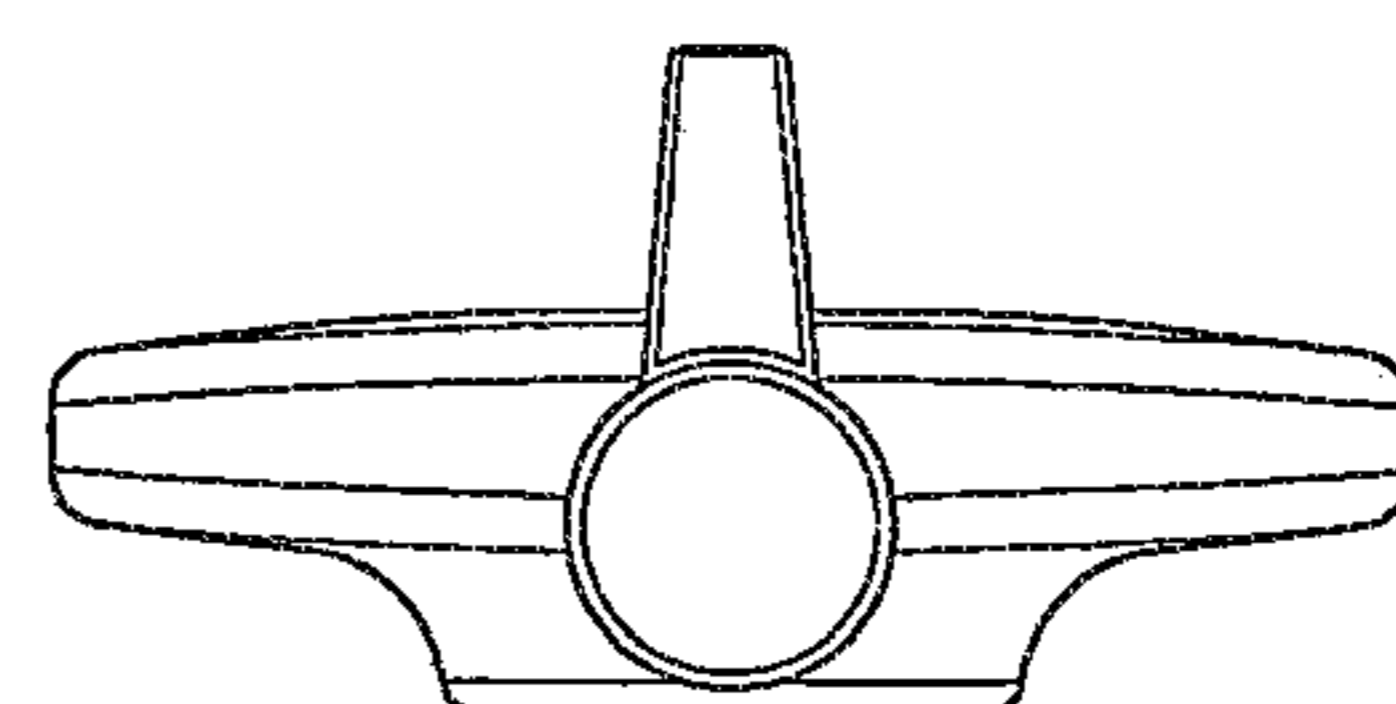
**FIG. 5**



**FIG. 6**



**FIG. 7**



**FIG. 8**