



US00D979051S

(12) **United States Design Patent**  
**Toth**

(10) **Patent No.:** **US D979,051 S**  
(45) **Date of Patent:** **\*\* Feb. 21, 2023**

- (54) **CAP**
- (71) Applicant: **Robert Toth**, Orefield, PA (US)
- (72) Inventor: **Robert Toth**, Orefield, PA (US)
- (\*\*) Term: **15 Years**
- (21) Appl. No.: **29/787,201**
- (22) Filed: **Jun. 4, 2021**

**Related U.S. Application Data**

- (62) Division of application No. 29/655,082, filed on Jun. 29, 2018, now Pat. No. Des. 925,732.
- (51) **LOC (14) Cl.** ..... **24-01**
- (52) **U.S. Cl.**  
USPC ..... **D24/129**
- (58) **Field of Classification Search**  
USPC ..... D24/112-114, 108, 133, 127-130, 186,  
D24/189, 190, 155, 131  
CPC ..... A61M 25/01; A61M 25/002; A61M  
25/0113; A61M 25/0111; A61M 39/06;  
A61M 25/0043; A61M 25/0067; A61M  
27/00; A61B 17/1325; A61B 17/135  
See application file for complete search history.

**References Cited**

**U.S. PATENT DOCUMENTS**

- 5,057,077 A 10/1991 Turner et al.
- D493,526 S \* 7/2004 Hwang ..... A61M 5/3134  
D24/130
- 8,728,048 B2 \* 5/2014 Cisco, Jr. .... A61F 5/453  
604/349
- D716,916 S \* 11/2014 Snow ..... D23/262
- D720,452 S 12/2014 Jordan
- D736,914 S \* 8/2015 Schultz ..... D24/129
- 9,168,354 B2 \* 10/2015 Hannon ..... A61M 25/0069
- D789,529 S 6/2017 Davis et al.

- D797,928 S 9/2017 Davis et al.
- D797,929 S 9/2017 Davis et al.
- D804,023 S 11/2017 Huang et al.
- D807,503 S 1/2018 Davis et al.
- D831,201 S \* 10/2018 Holtz ..... D24/129
- D832,431 S \* 10/2018 Turturro ..... D24/129
- D834,187 S \* 11/2018 Ryan ..... A61M 39/162  
D24/130
- D847,984 S 5/2019 Steele
- D851,242 S 6/2019 Khanicheh et al.
- 10,449,329 B2 \* 10/2019 Foley ..... A61M 25/0021
- D867,587 S 11/2019 Holtz et al.
- 10,463,833 B2 \* 11/2019 Clarke ..... A61M 25/007
- 10,569,073 B2 \* 2/2020 Hallisey ..... A61M 39/10
- D881,389 S 4/2020 Wang et al.
- D882,076 S 4/2020 Gavalis et al.
- D884,886 S 5/2020 Kangastupa
- D892,318 S 8/2020 Kubon et al.
- D892,319 S 8/2020 Park et al.
- D892,321 S \* 8/2020 Newton ..... D24/130

(Continued)

*Primary Examiner* — Mary Shannon Malley

(74) *Attorney, Agent, or Firm* — Caesar Rivise, PC

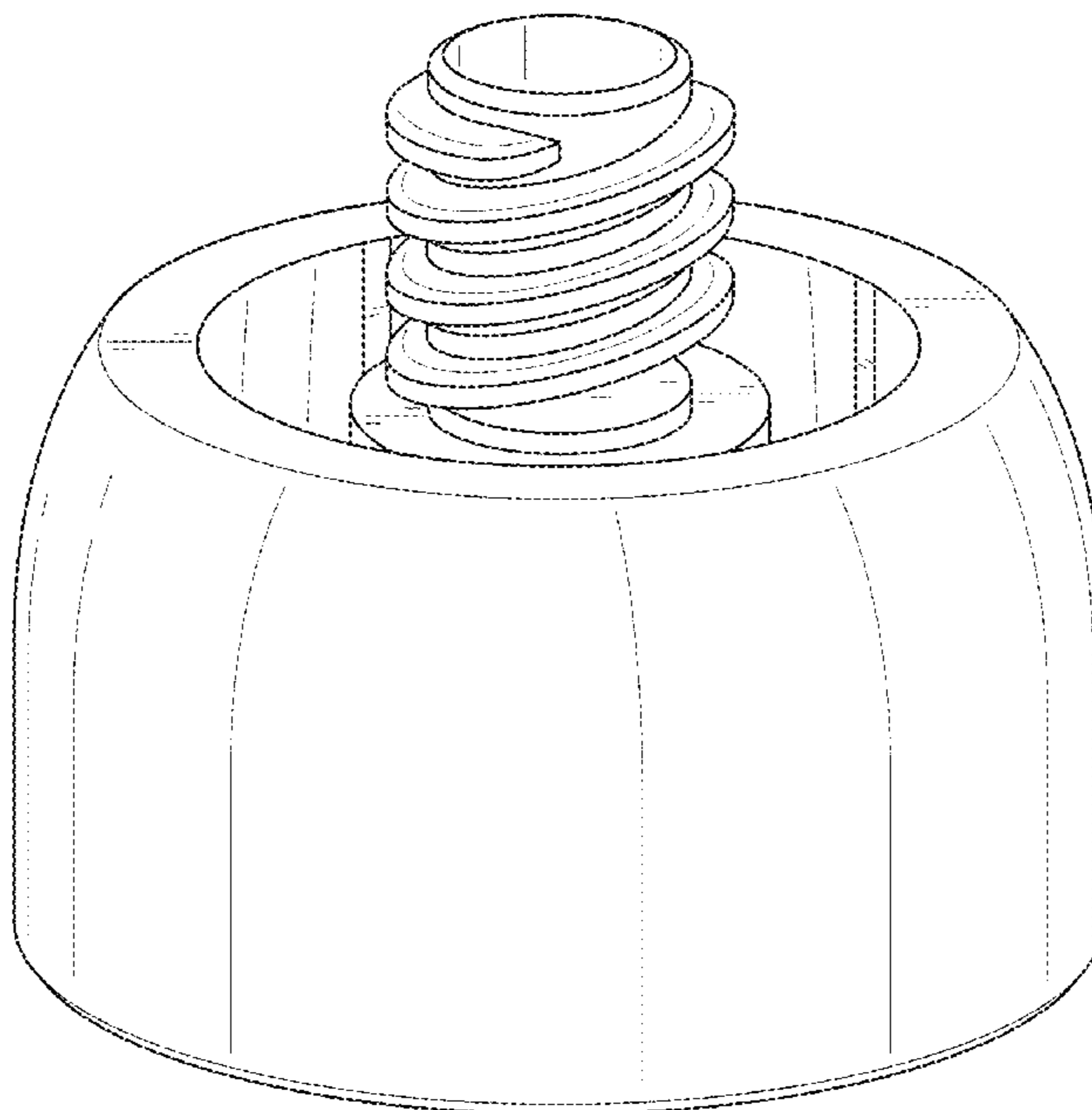
(57) **CLAIM**

The ornamental design for a cap, as shown and described.

**DESCRIPTION**

FIG. 1 is top perspective view of a cap showing my new design;  
 FIG. 2 is a bottom isometric view of the cap of FIG. 1;  
 FIG. 3 is a front elevational view of the cap of FIG. 1;  
 FIG. 4 is a rear elevational view of the cap of FIG. 1;  
 FIG. 5 is a left side elevational view of the cap of FIG. 1;  
 FIG. 6 is a right side elevational view of the cap of FIG. 1;  
 FIG. 7 is a top plan view of the cap of FIG. 1; and,  
 FIG. 8 is a bottom plan view of the cap of FIG. 1.  
 The broken lines illustrate portions of the cap that do not form part of the claimed design.

**1 Claim, 8 Drawing Sheets**



(56)

**References Cited**

U.S. PATENT DOCUMENTS

2005/0121464	A1	6/2005	Miller et al.
2005/0139565	A1	6/2005	Cohn
2007/0108158	A1	5/2007	Stribling et al.
2007/0278114	A1	12/2007	Kane et al.
2008/0119782	A1	5/2008	Steinman et al.
2008/0277310	A1	11/2008	Chacon
2010/0147885	A1	6/2010	Braxton et al.
2010/0294760	A1	11/2010	Butler et al.
2010/0331787	A1	12/2010	Fournie
2011/0186596	A1	8/2011	Fontana
2011/0308977	A1	12/2011	DiLiberto et al.
2012/0310177	A1	12/2012	Becker et al.
2015/0225131	A1	8/2015	Gewirtz et al.

\* cited by examiner

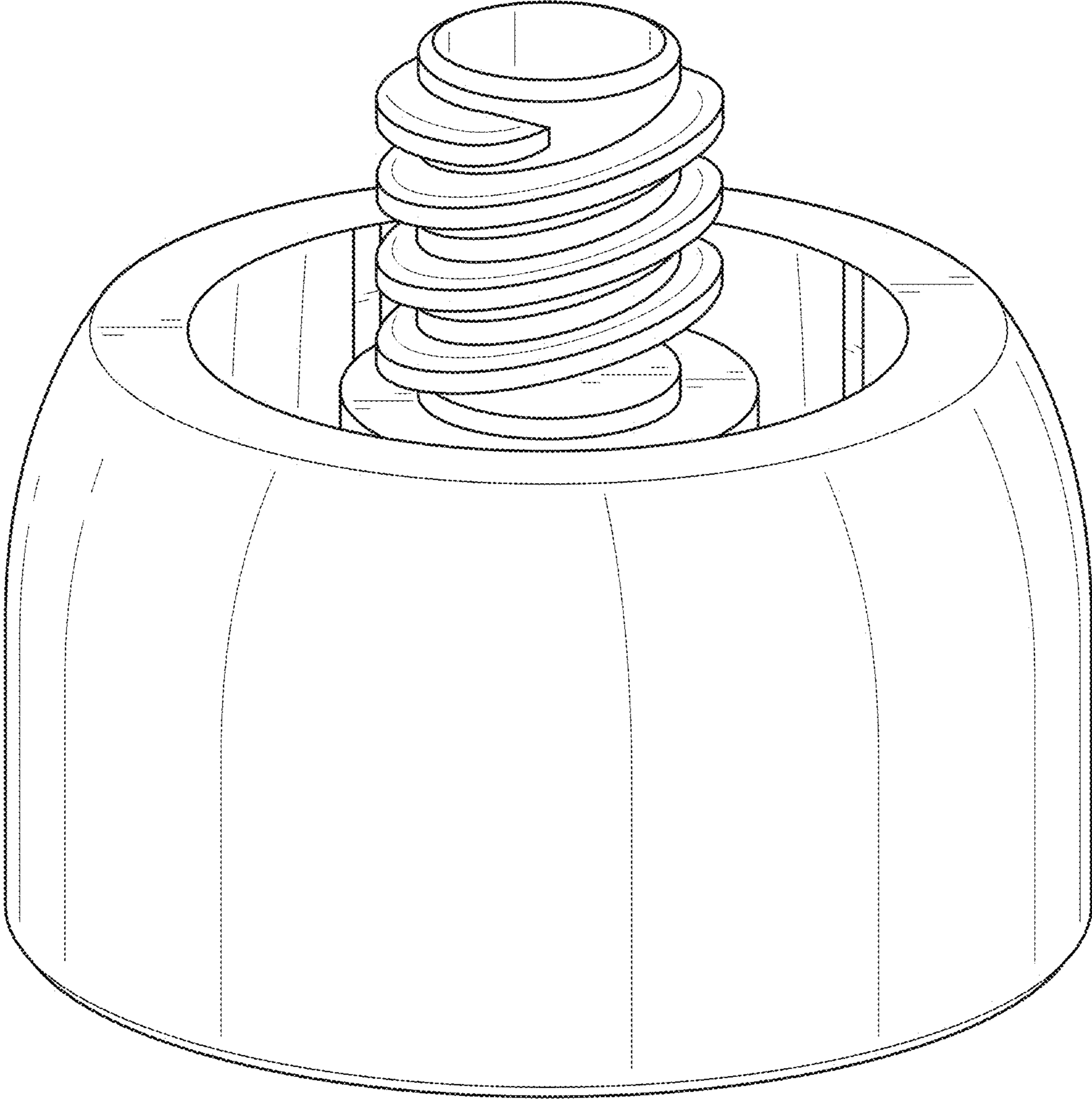


FIG. 1

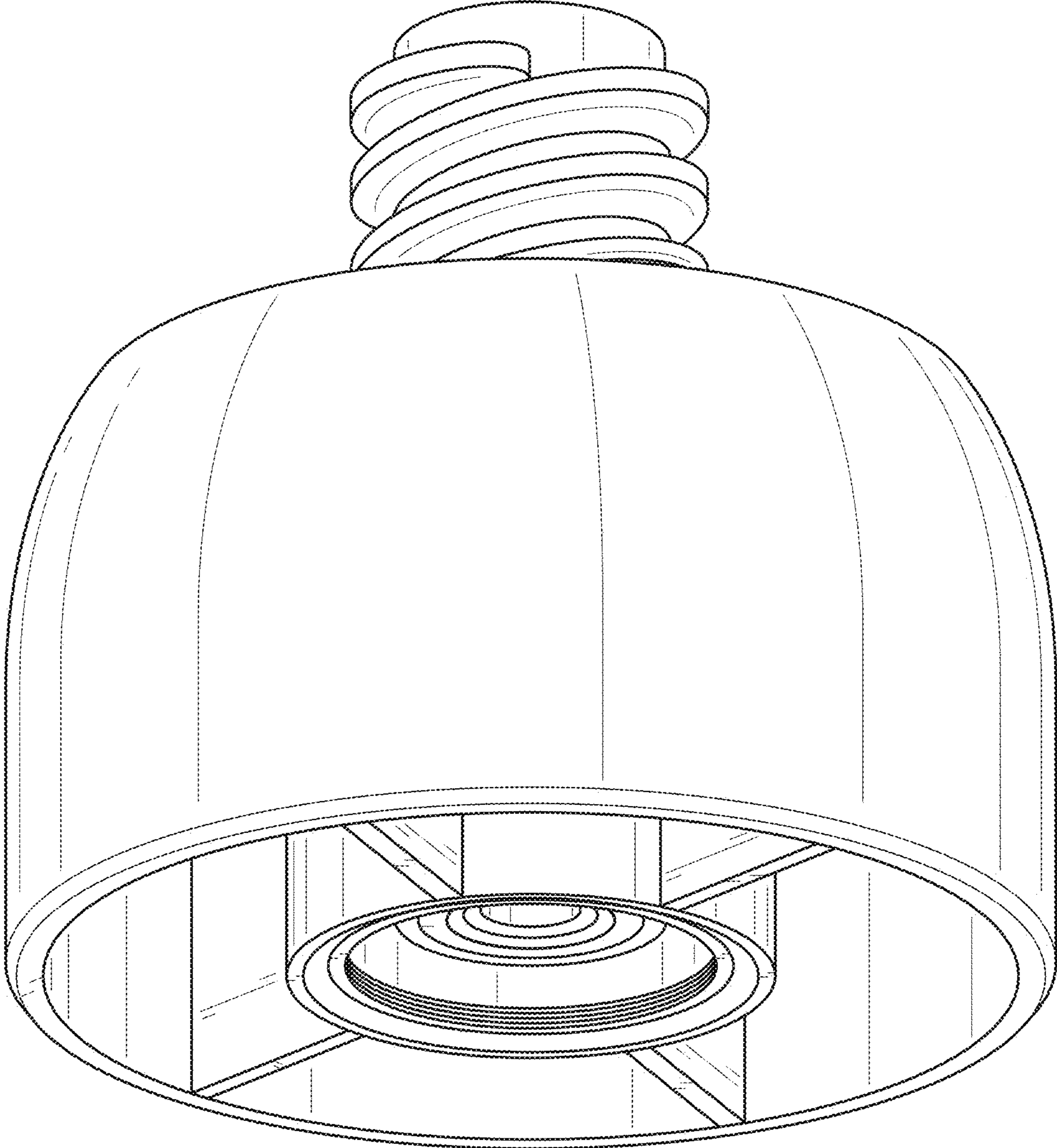


FIG. 2

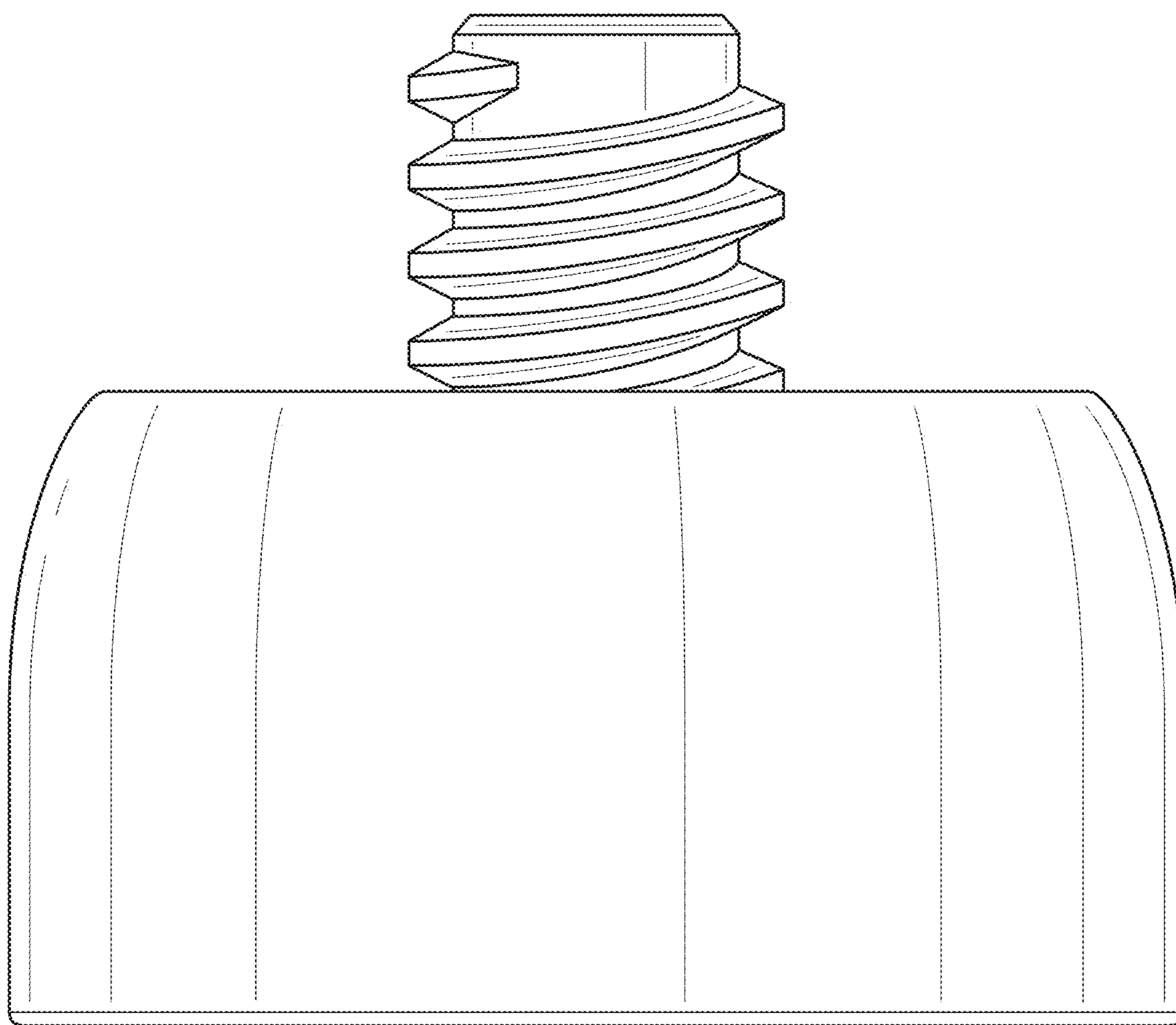


FIG. 3

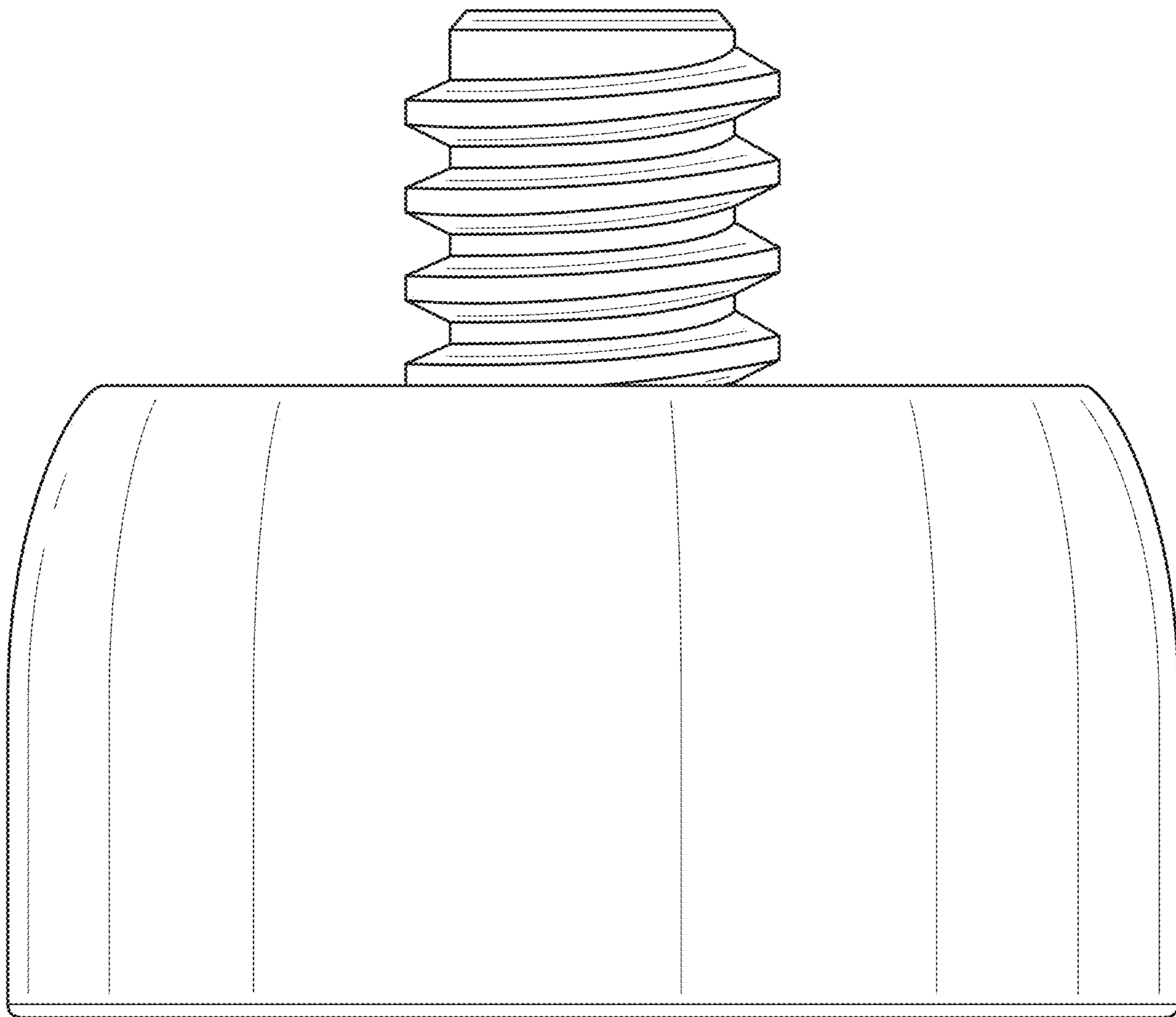


FIG. 4

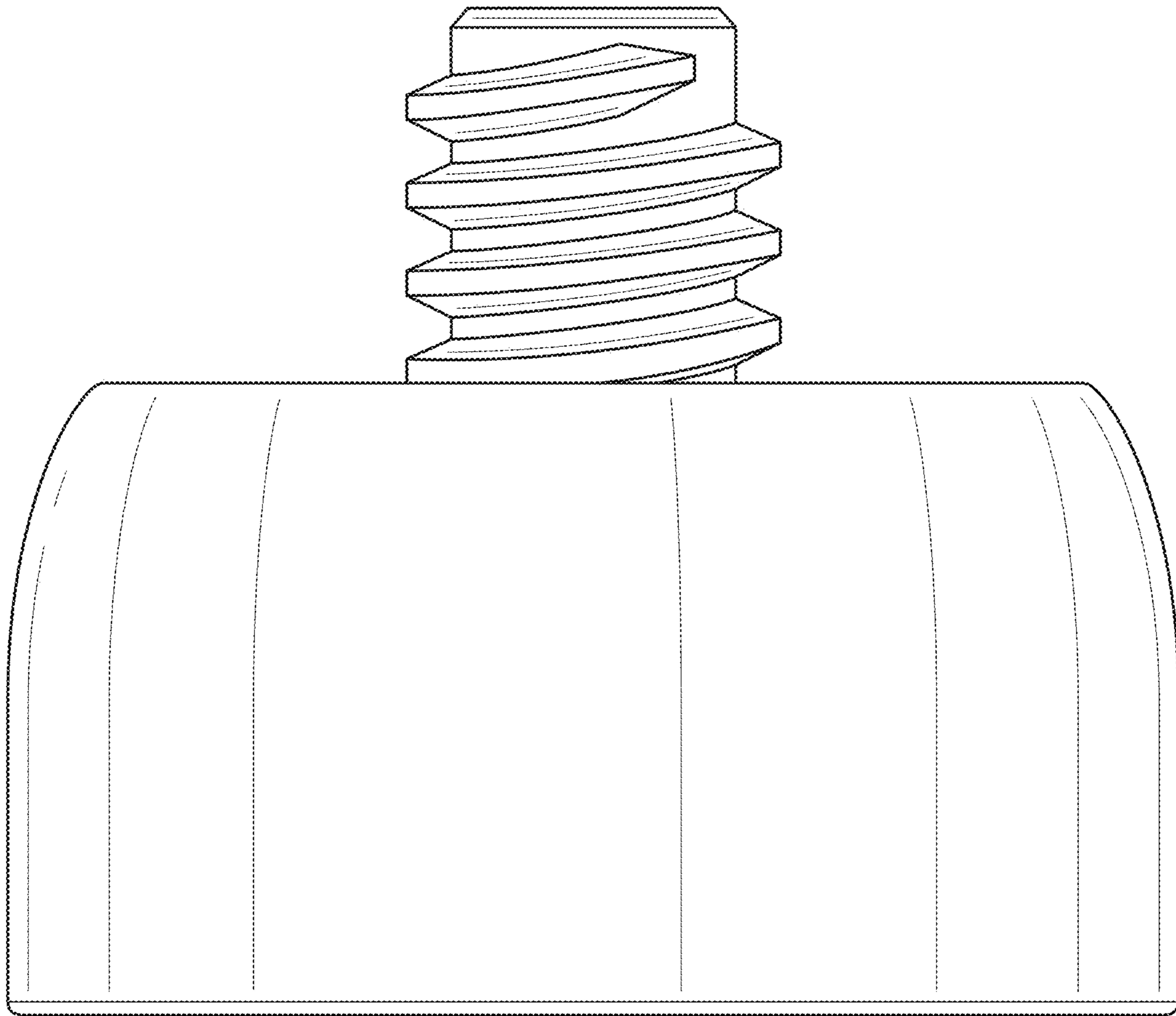


FIG. 5

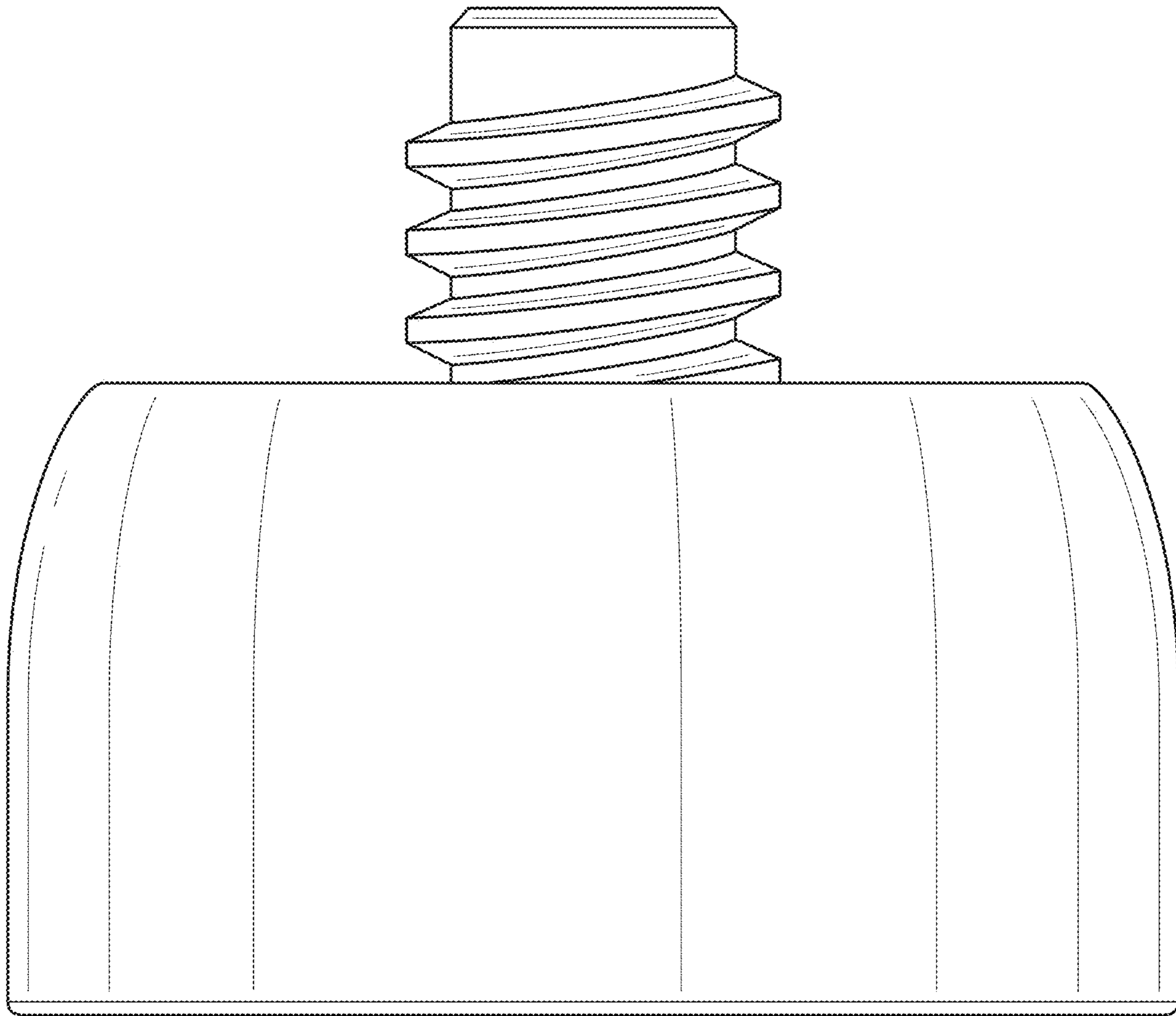


FIG. 6



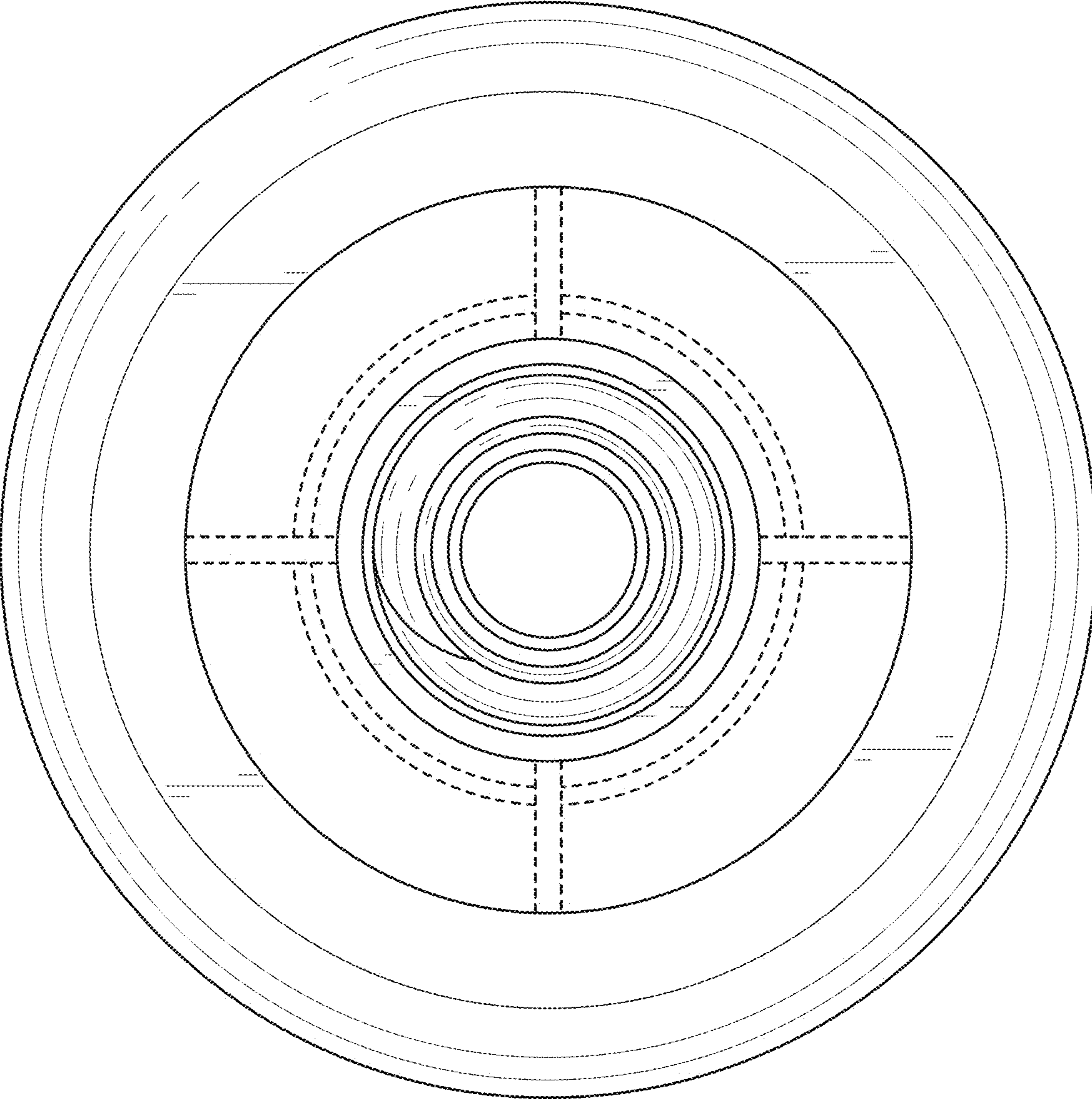


FIG. 7

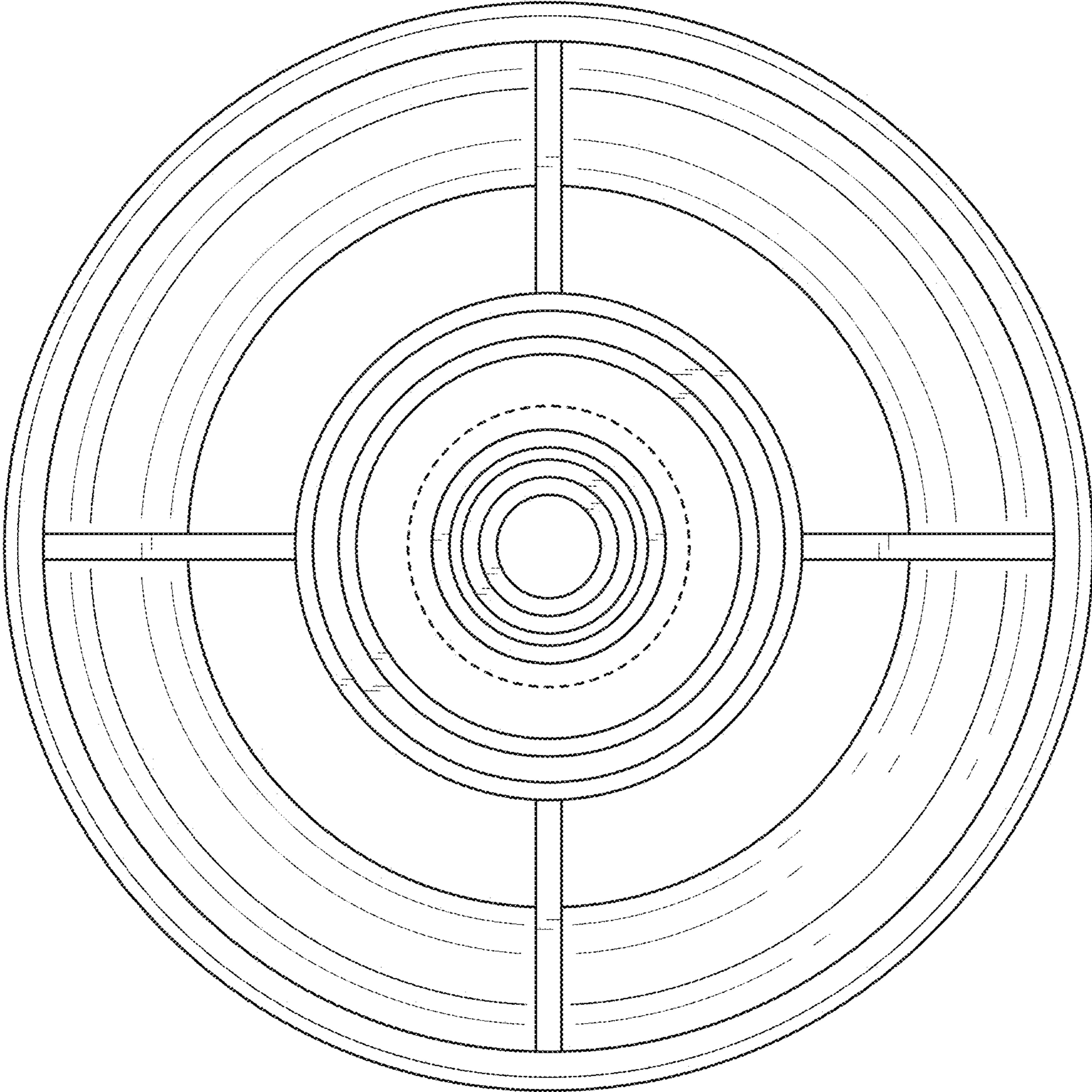


FIG. 8