



US00D979050S

(12) **United States Design Patent** (10) **Patent No.:** **US D979,050 S**
Law et al. (45) **Date of Patent:** **** Feb. 21, 2023**

(54) **BLOOD FLOW LINE** 8,328,748 B2 12/2012 Law et al.
8,333,724 B2 12/2012 Barrett et al.
(71) Applicant: **Fresenius Medical Care Holdings, Inc.**, Waltham, MA (US) D684,695 S * 6/2013 Green D24/169
8,517,968 B2 8/2013 Barrett et al.
8,523,799 B2 9/2013 Biesel et al.
(72) Inventors: **Perry N. Law**, Kaysville, UT (US); 8,632,487 B2 1/2014 Günther et al.
Louis LeeGrande Barrett, West Point, UT (US); 8,743,354 B2 6/2014 Barrett et al.
Christopher Yim Chau, Mission, TX (US) D725,261 S 3/2015 Barrett et al.
9,194,792 B2 11/2015 Barrett
9,285,305 B2 3/2016 Barrett et al.
(73) Assignee: **Fresenius Medical Care Holdings, Inc.**, Waltham, MA (US) 9,308,306 B2 4/2016 Barrett
D757,934 S 5/2016 Barrett et al.
D799,031 S 10/2017 Barrett et al.
9,849,225 B2 12/2017 Barrett et al.
9,945,838 B2 4/2018 Doyle
(**) Term: **15 Years** D829,119 S * 9/2018 Osawa D10/96
10,195,411 B2 2/2019 Chau et al.
(21) Appl. No.: **29/711,195** 2006/0033331 A1* 2/2006 Ziman A61M 39/10
285/330

(Continued)

(22) Filed: **Oct. 29, 2019**
(51) **LOC (14) Cl.** **24-02**
(52) **U.S. Cl.**
USPC **D24/129**
(58) **Field of Classification Search**
USPC D24/127-131, 112-114, 133, 186, 118;
606/181, 185; 604/264, 523-528, 272,
604/187, 158, 164.01-164.11, 181, 184,
604/227
CPC A61M 5/165; A61M 39/26; A61M
2005/1652
See application file for complete search history.

Primary Examiner — Nathan M Johnston
(74) *Attorney, Agent, or Firm* — Leydig, Voit & Mayer, Ltd.

(57) **CLAIM**

The ornamental design for a blood flow line, as shown and described.

DESCRIPTION

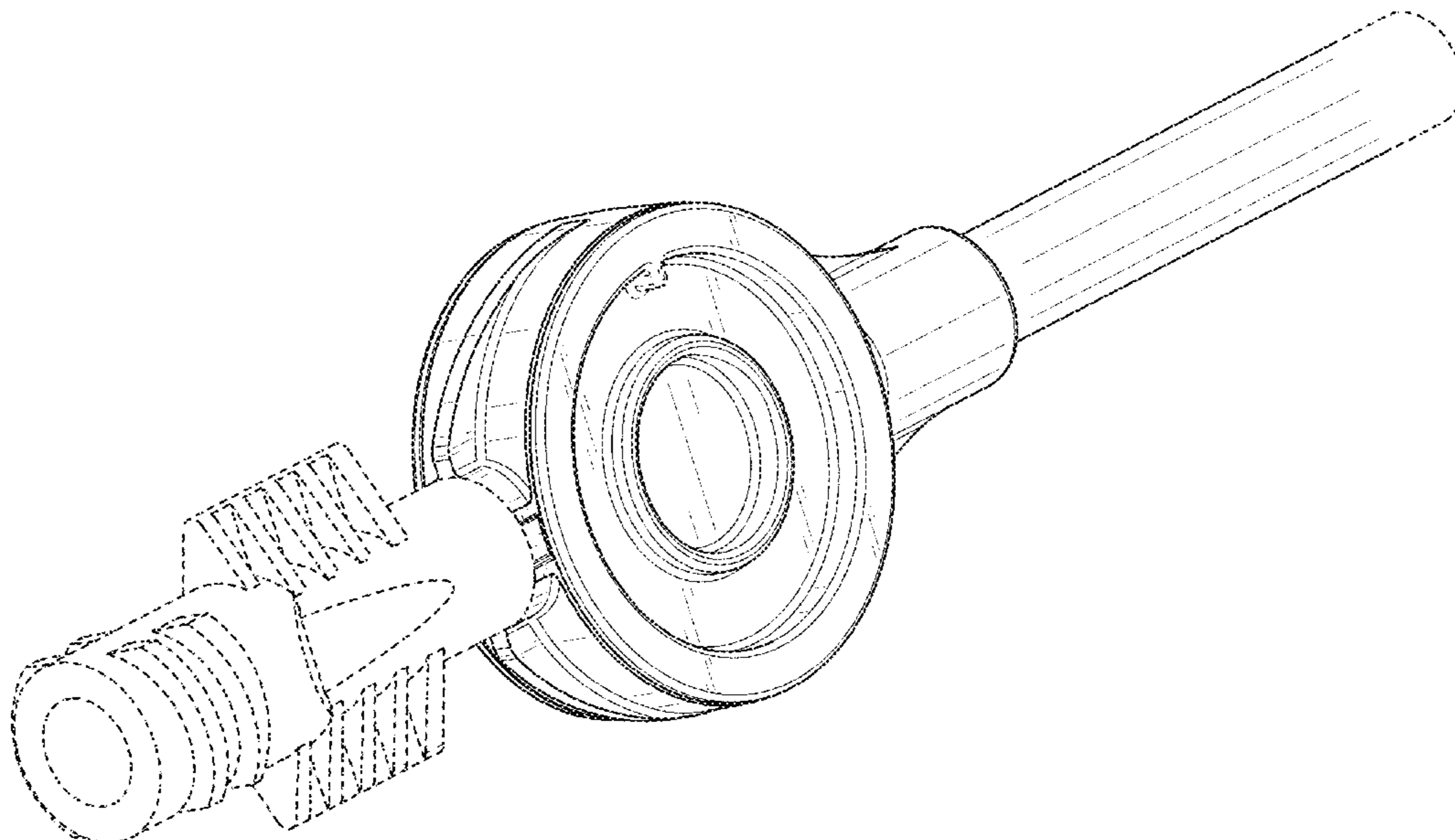
FIG. 1 is a top, front, left side perspective view of a blood flow line showing our new design;
FIG. 2 is a top plan view thereof;
FIG. 3 is a bottom plan view thereof;
FIG. 4 is a front elevational view thereof;
FIG. 5 is a rear elevational view thereof;
FIG. 6 is a left side elevational view thereof; and,
FIG. 7 is a right side elevational view thereof.
The broken lines shown in the drawings illustrate portions of the blood flow line which form no part of the claimed design.

(56) **References Cited**

U.S. PATENT DOCUMENTS

D206,714 S * 1/1967 Badkar D24/129
6,554,788 B1 * 4/2003 Hunley A61M 1/3609
604/4.01
D518,573 S * 4/2006 French D24/129
D623,302 S * 9/2010 Barrett D24/169
D625,824 S * 10/2010 Brackett D24/188
D654,999 S 2/2012 Barrett et al.
8,241,237 B2 8/2012 Gatti et al.

1 Claim, 7 Drawing Sheets



(56)

References Cited

U.S. PATENT DOCUMENTS

2010/0110416 A1* 5/2010 Barrett A61B 5/1495
702/19
2011/0160679 A1* 6/2011 Okiyama A61M 39/02
604/246
2011/0208160 A1* 8/2011 Wu A61M 5/165
604/512
2012/0154789 A1* 6/2012 Barrett F16B 2/22
356/41
2012/0218541 A1 8/2012 Barrett et al.
2013/0030348 A1* 1/2013 Lauer A61M 39/223
604/288.01
2014/0233026 A1 8/2014 Barrett et al.
2015/0238672 A1 8/2015 Barrett et al.

* cited by examiner

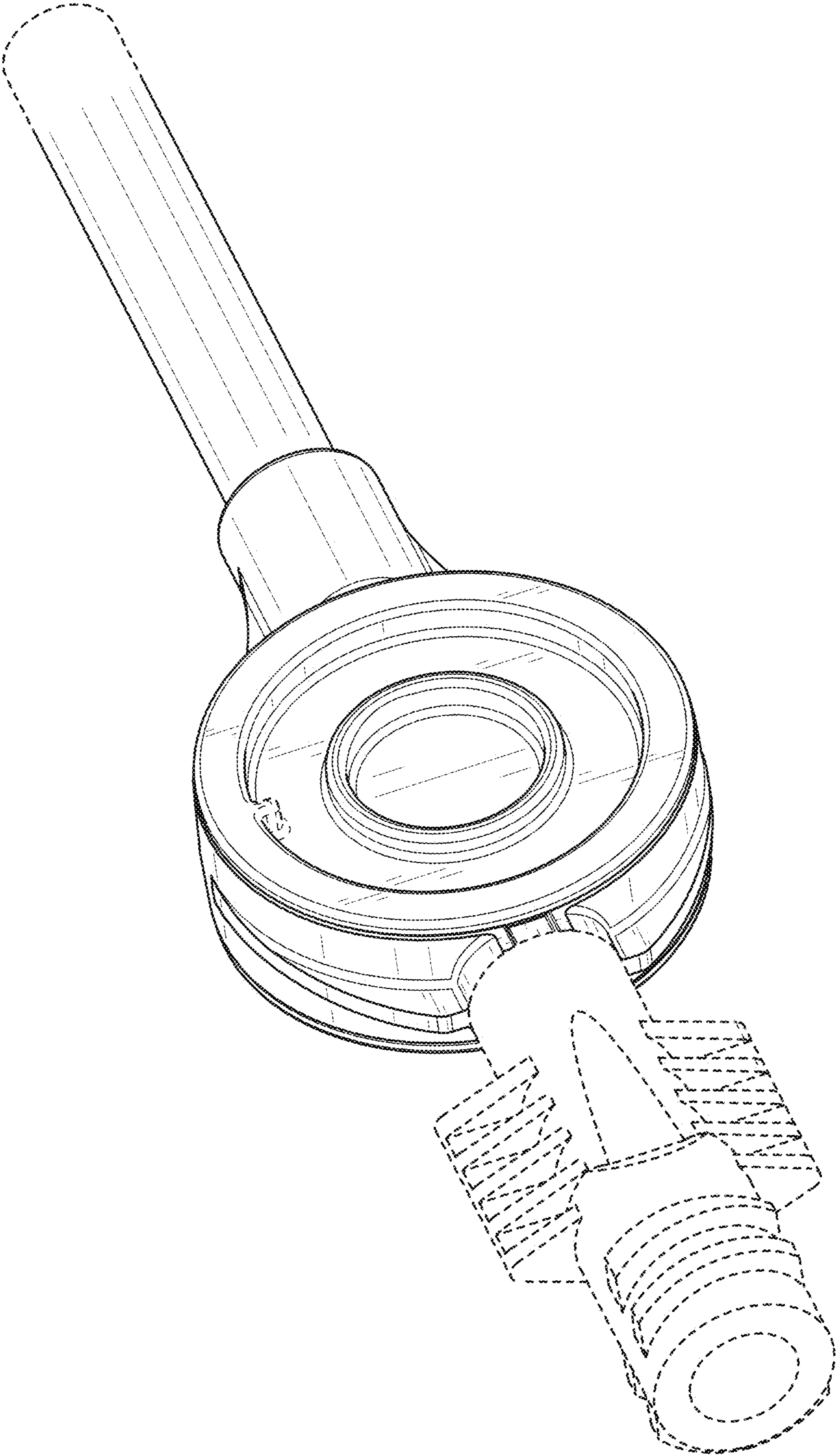


FIG. 1

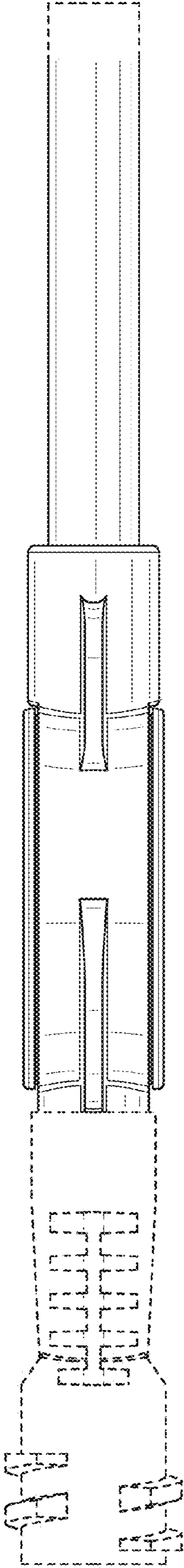


FIG. 2

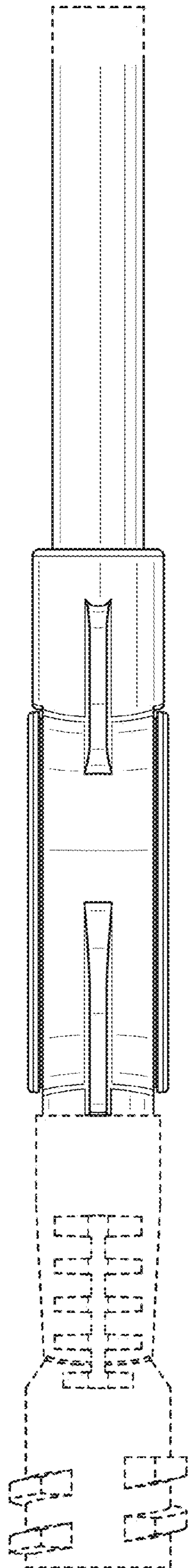


FIG. 3

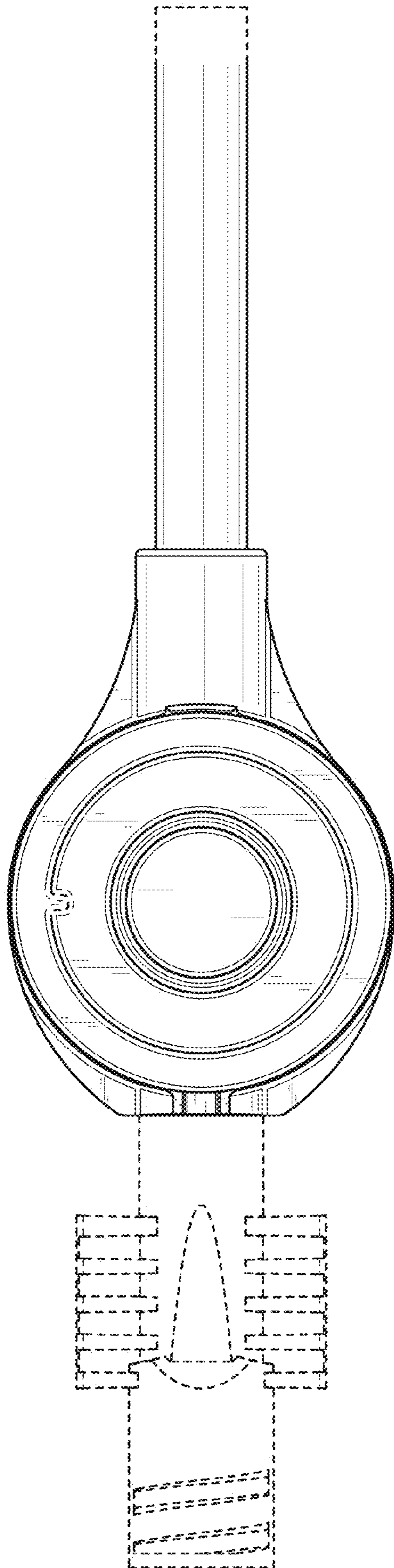


FIG. 4

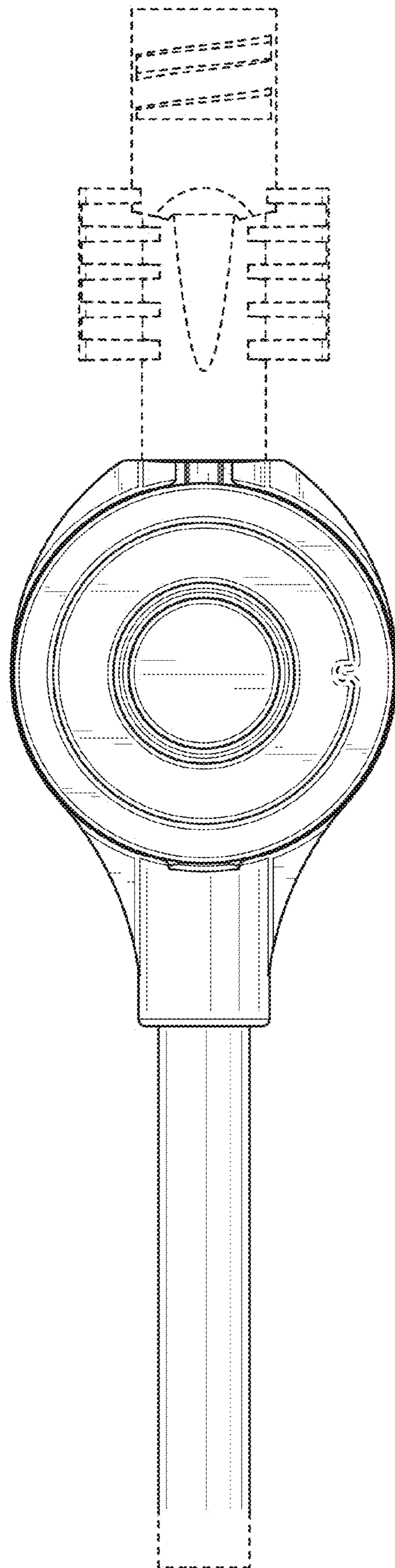


FIG. 5

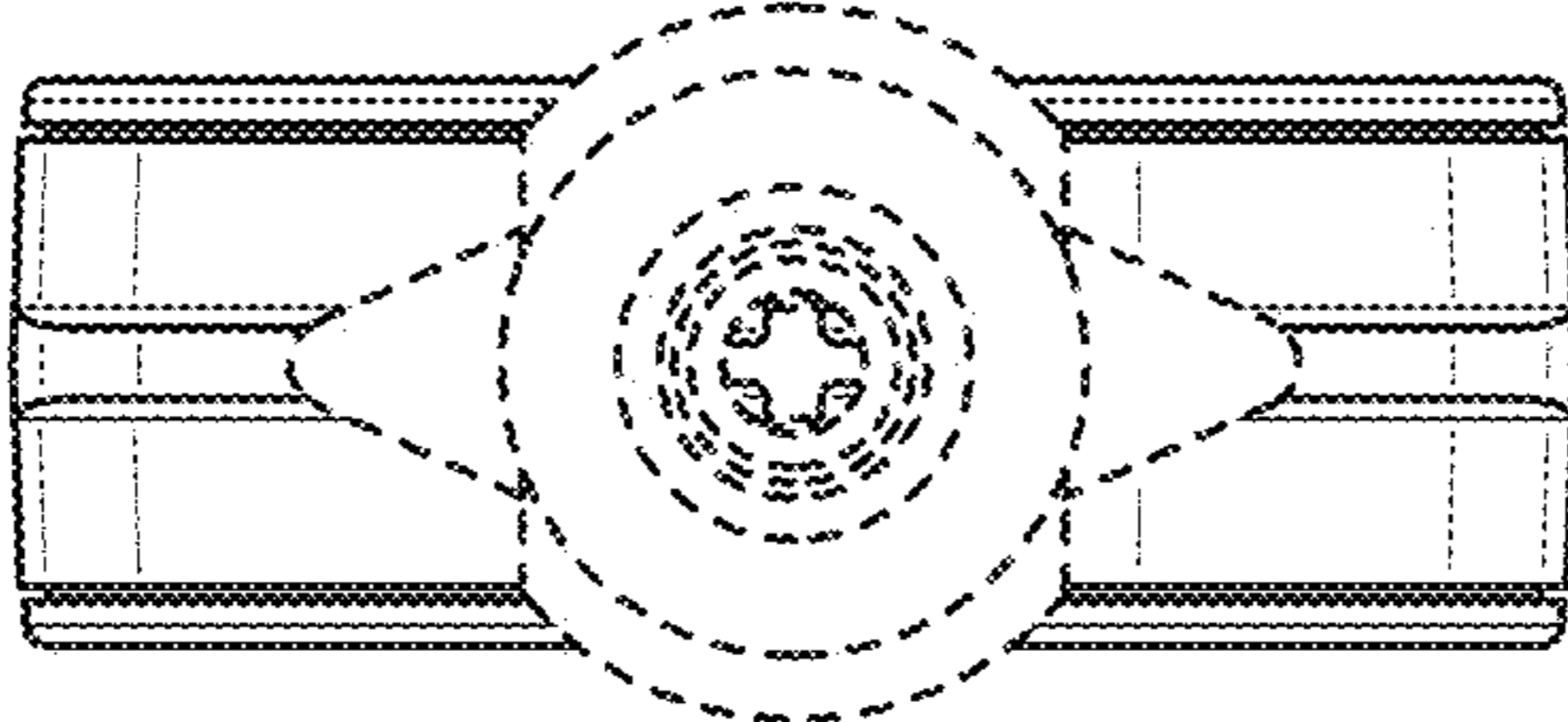


FIG. 6

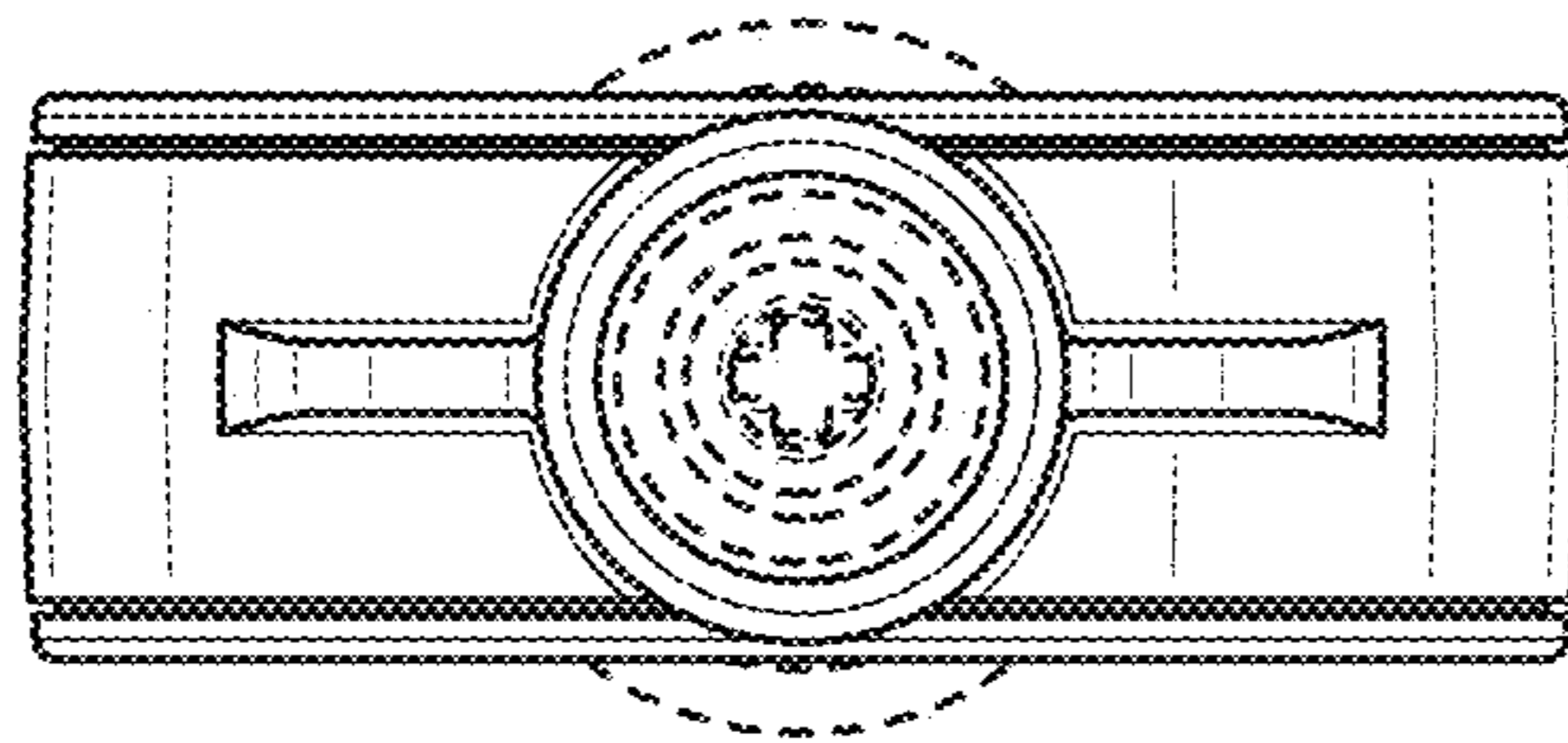


FIG. 7