

US00D979044S

(12) **United States Design Patent**
Hu

(10) **Patent No.:** **US D979,044 S**

(45) **Date of Patent:** **** Feb. 21, 2023**

- (54) **SNORKEL MASK**
- (71) Applicant: **Dongguan City Ren Tong Swimming & Diving Products Co., Ltd.**,
Dongguan (CN)
- (72) Inventor: **Guoren Hu**, Dongguan (CN)
- (**) Term: **15 Years**
- (21) Appl. No.: **29/802,974**
- (22) Filed: **Aug. 10, 2021**
- (51) **LOC (14) Cl.** **29-02**
- (52) **U.S. Cl.**
USPC **D24/110.2**
- (58) **Field of Classification Search**
USPC D24/110, 110.1–110.6, 127, 129;
D29/110
CPC A61M 16/06; A61M 16/0605; A61M
16/0616; A61M 16/0622; A61M 16/0633;
A61M 16/0644; A61M 16/0683; A61M
16/08; A61M 16/0816; A61M 16/0875;
B63C 11/12; B63C 11/16; B63C 11/186;
B63C 11/205
See application file for complete search history.

- 4,856,120 A * 8/1989 Hart B63C 11/12
2/430
- D325,106 S * 3/1992 Sugita D24/110.2
- 5,572,989 A * 11/1996 Lutz B63C 11/12
128/207.14
- D681,283 S * 4/2013 Wang Lee D29/110
- D908,205 S * 1/2021 Hwang D24/110.1
- D941,992 S * 1/2022 Hu D24/110.2
- D943,089 S * 2/2022 Hu D24/110.2
- D958,324 S * 7/2022 Koller, III D29/108
- D961,764 S * 8/2022 Hu D24/110.2

* cited by examiner

Primary Examiner — Richard Kearney

Assistant Examiner — Michael Hoffman

(74) *Attorney, Agent, or Firm* — Prakash Nama; Global IP Services, PLLC

(57) **CLAIM**

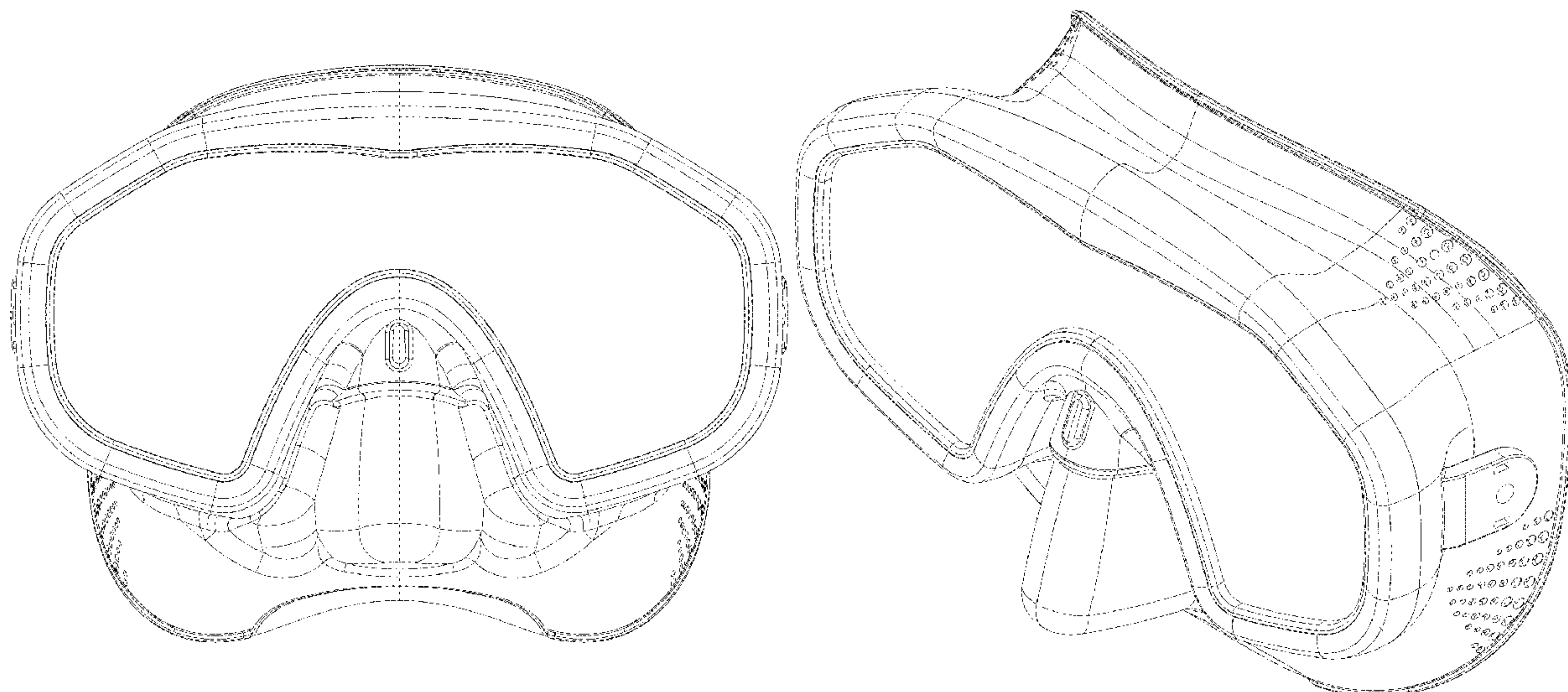
The ornamental design for a snorkel mask, as shown.

DESCRIPTION

FIG. 1 is a front elevational view of a snorkel mask showing my new design;
 FIG. 2 is a rear elevational view thereof;
 FIG. 3 is a left side view thereof;
 FIG. 4 is a right side view thereof;
 FIG. 5 is a top plan view thereof;
 FIG. 6 is a bottom plan view thereof;
 FIG. 7 is a perspective view thereof;
 FIG. 8 is a second perspective view thereof;
 FIG. 9 is a third perspective view thereof; and,
 FIG. 10 is a fourth perspective view thereof.

1 Claim, 10 Drawing Sheets

- (56) **References Cited**
U.S. PATENT DOCUMENTS
D193,048 S * 6/1962 Schwartz D24/110.2
D256,962 S * 9/1980 Fireman D24/110.2
D290,763 S * 7/1987 Walsh D24/110.2
D290,764 S * 7/1987 Berenson D24/110.2



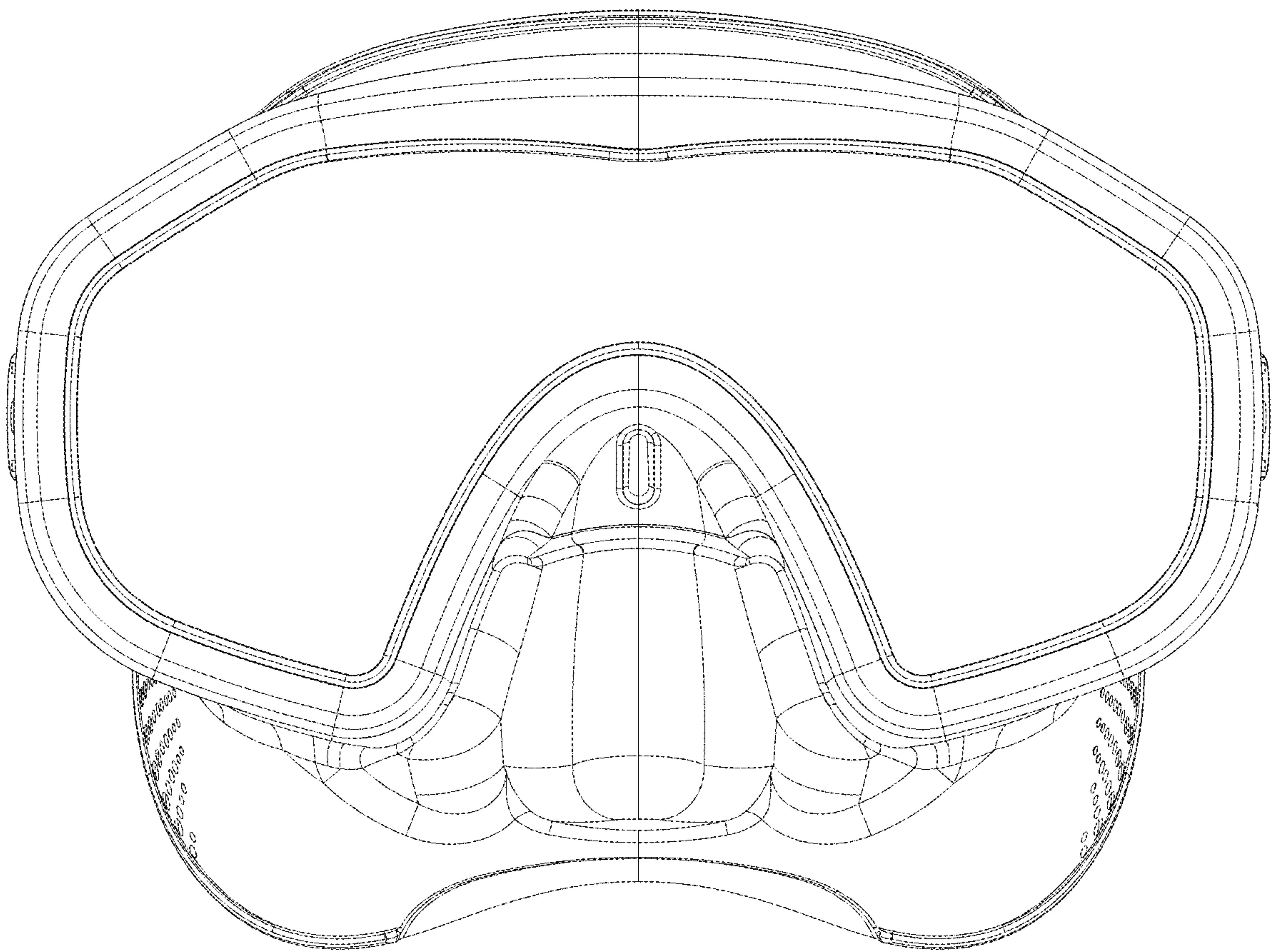


FIG. 1

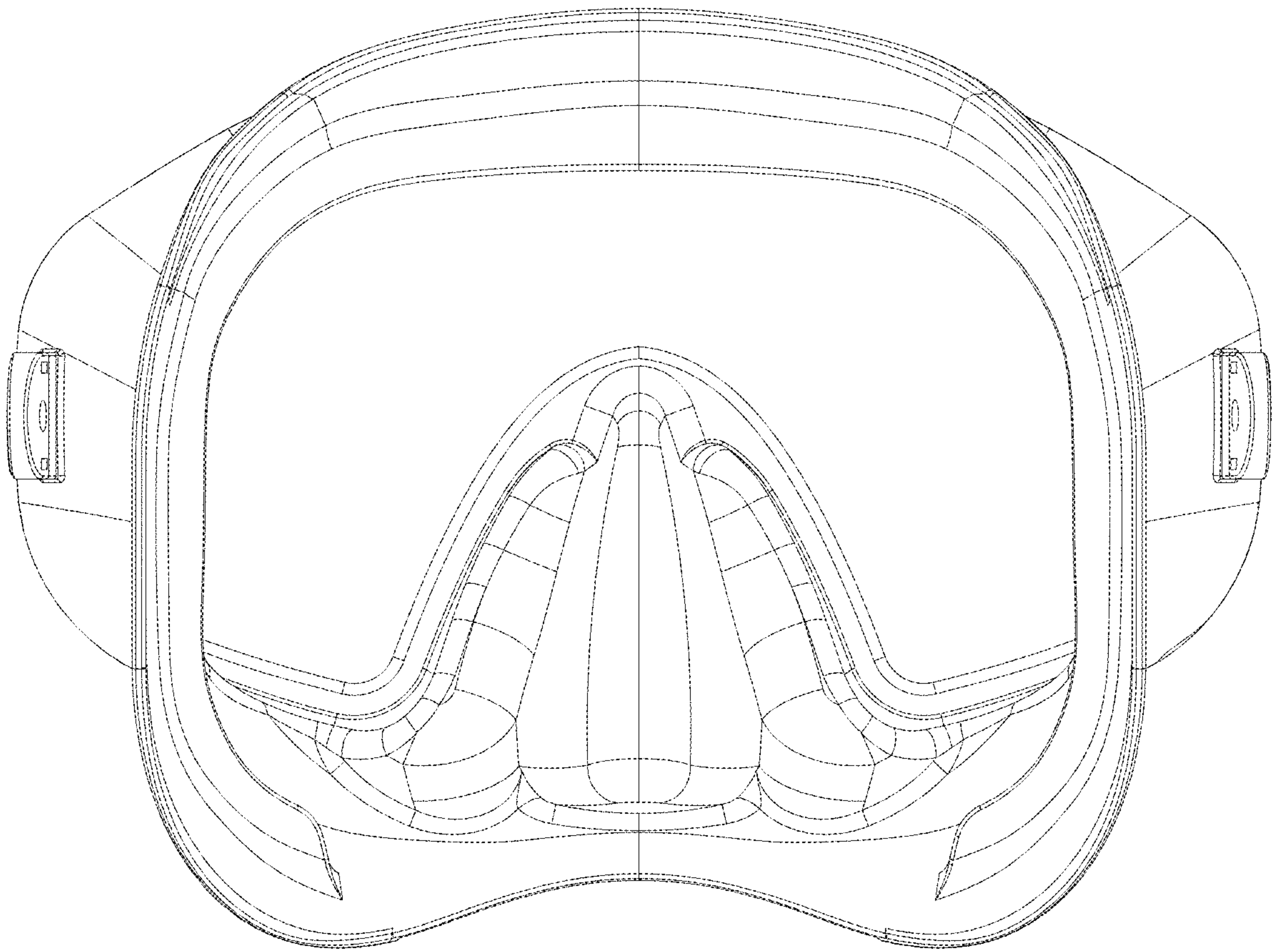


FIG. 2

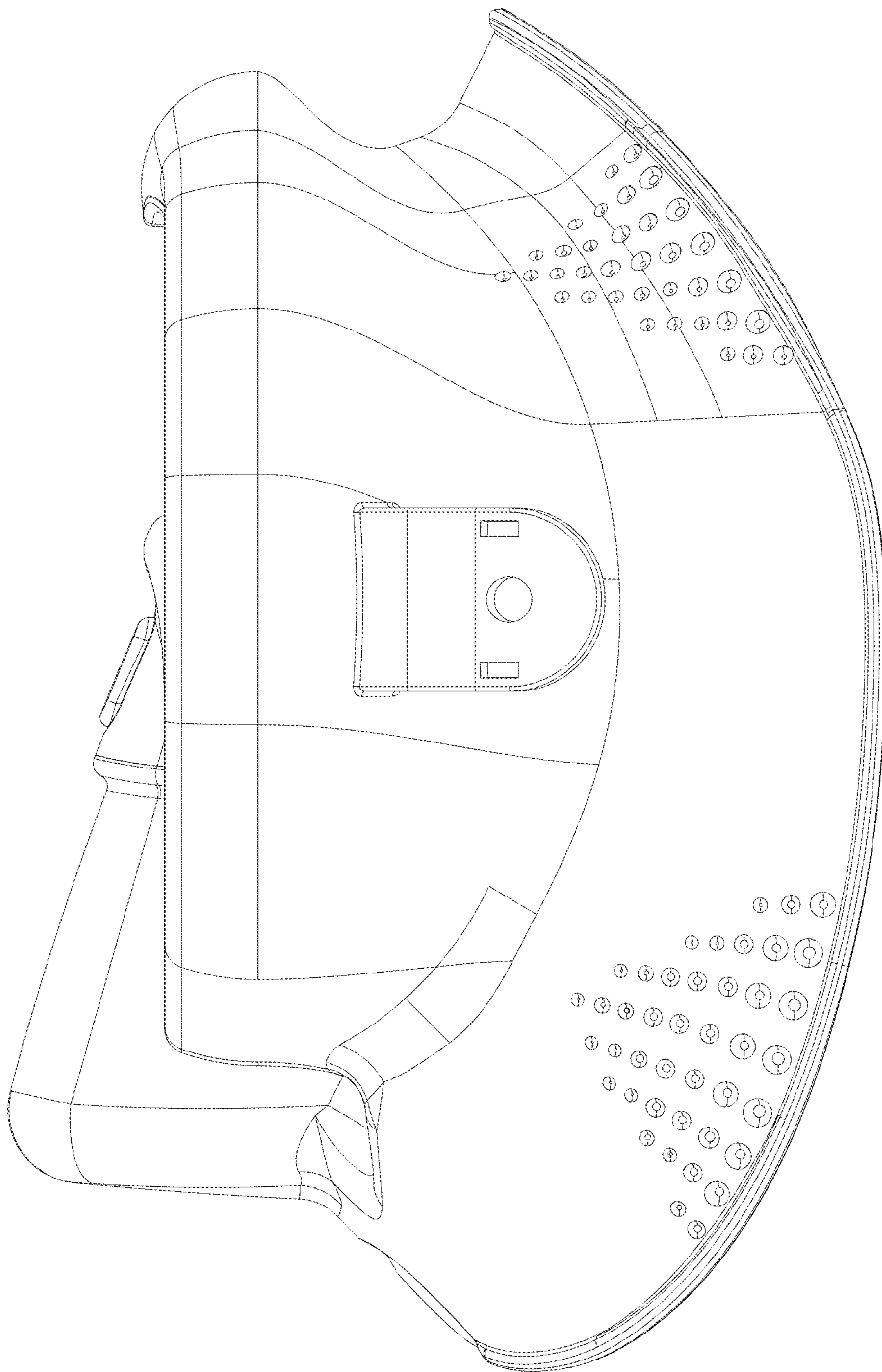


FIG. 3

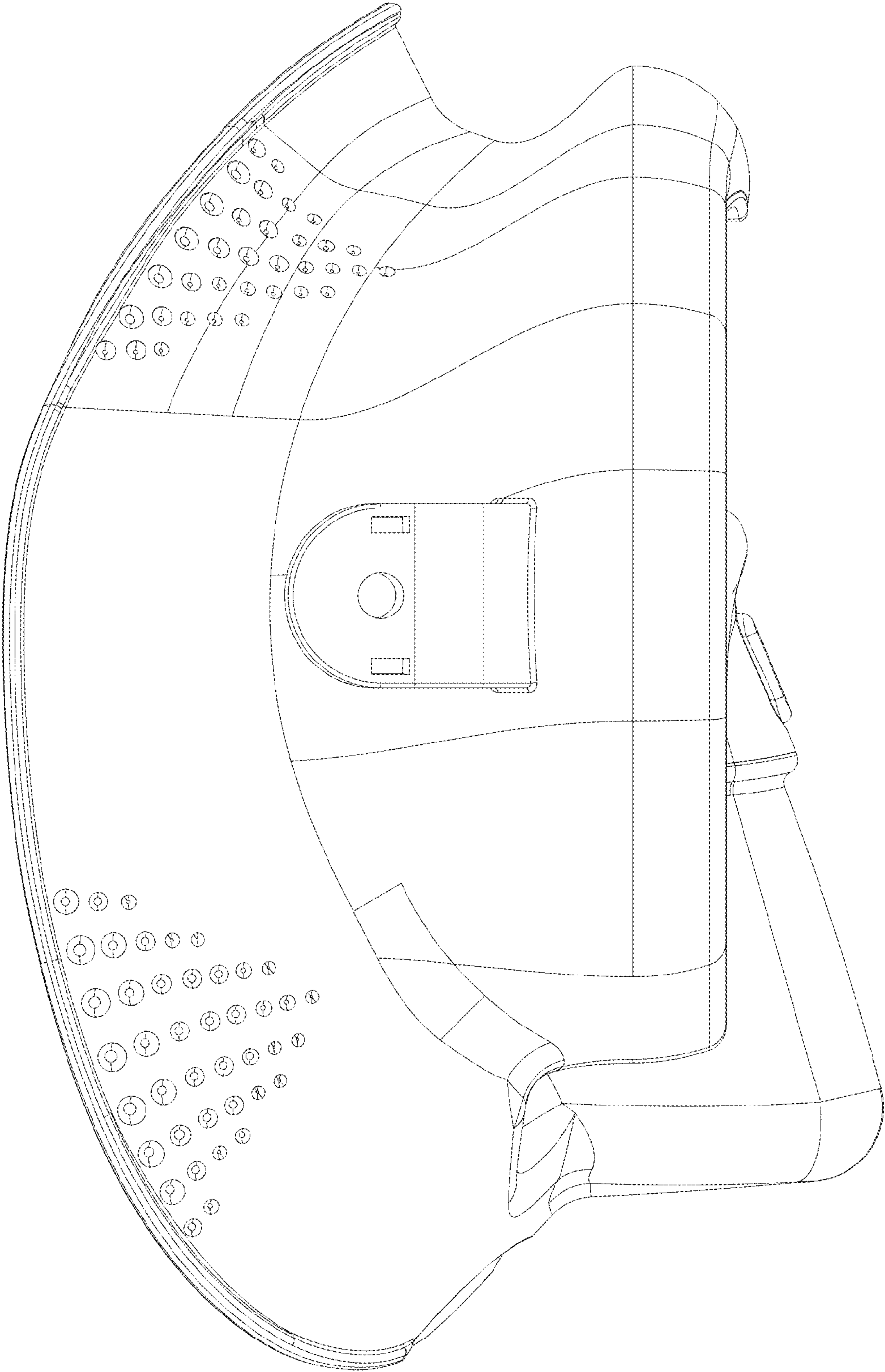


FIG. 4

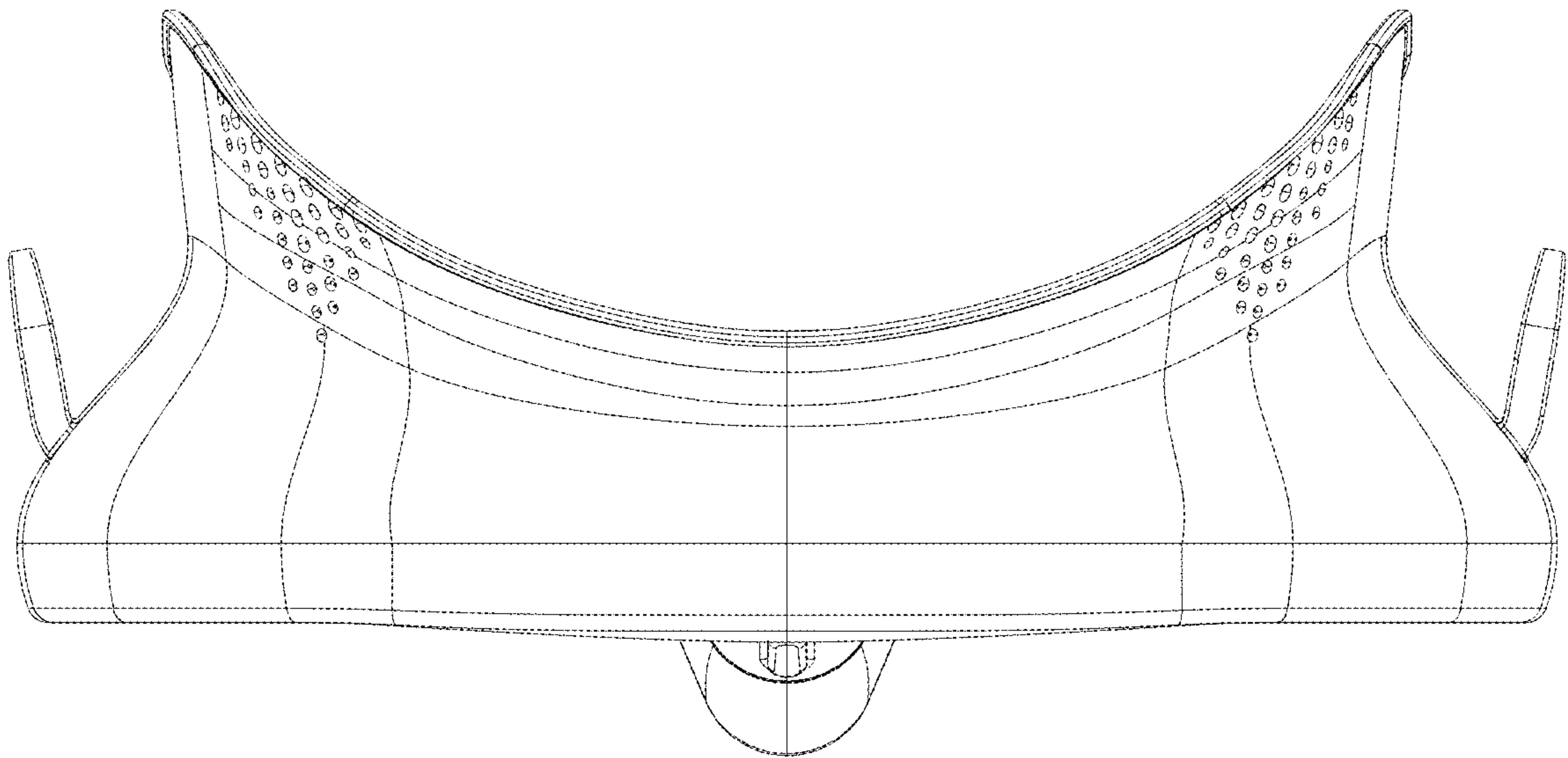


FIG. 5

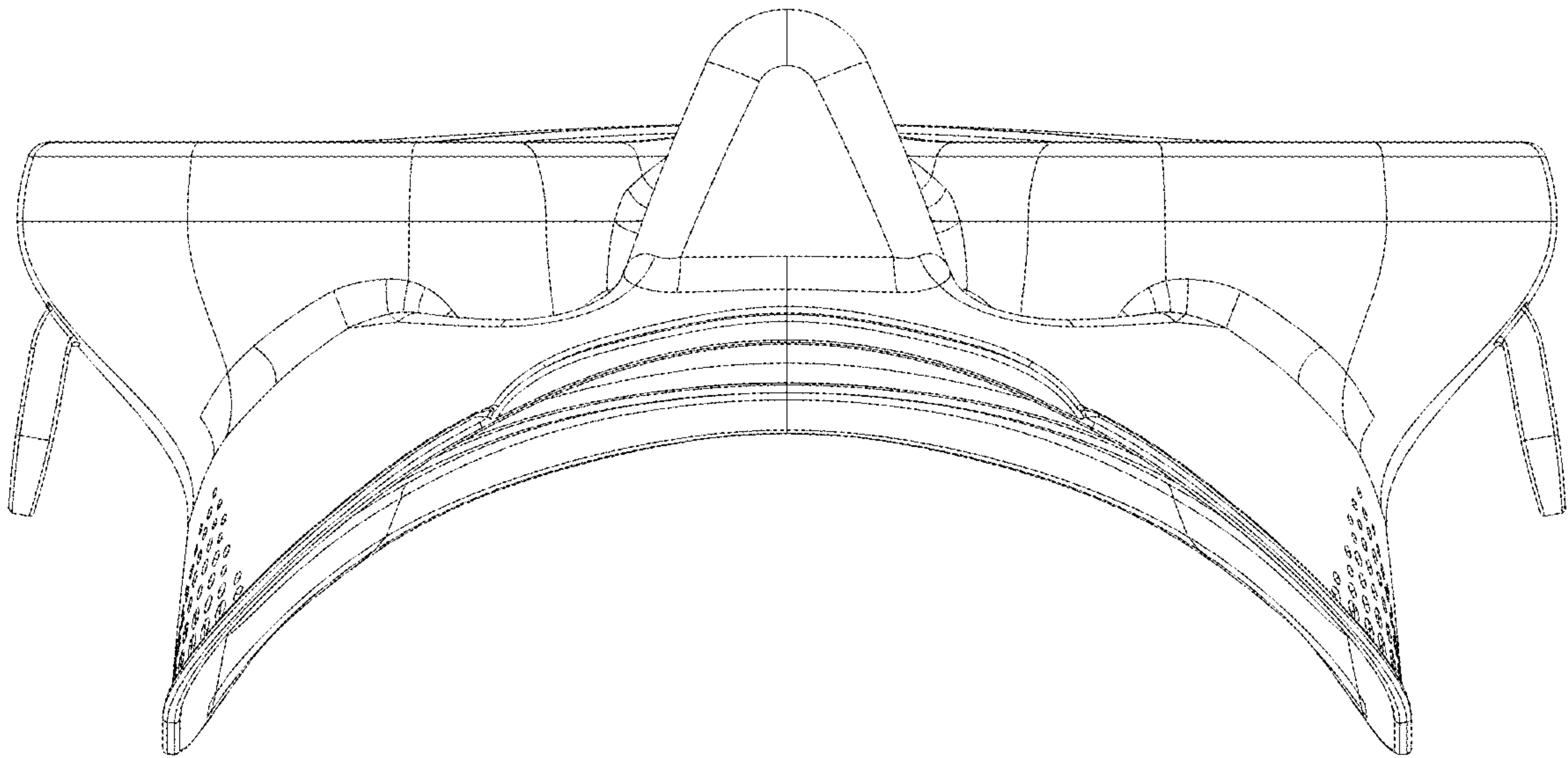


FIG. 6

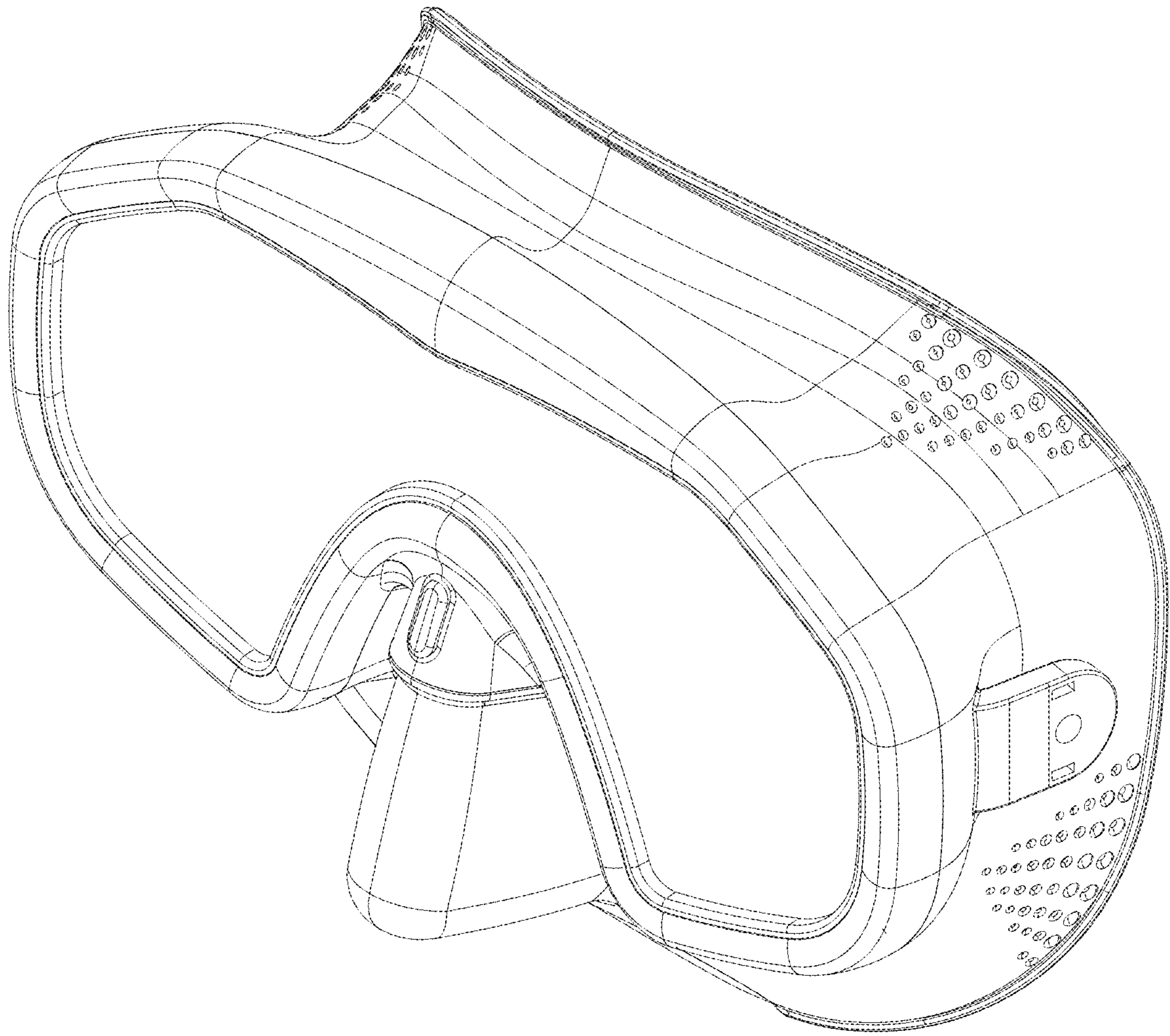


FIG. 7

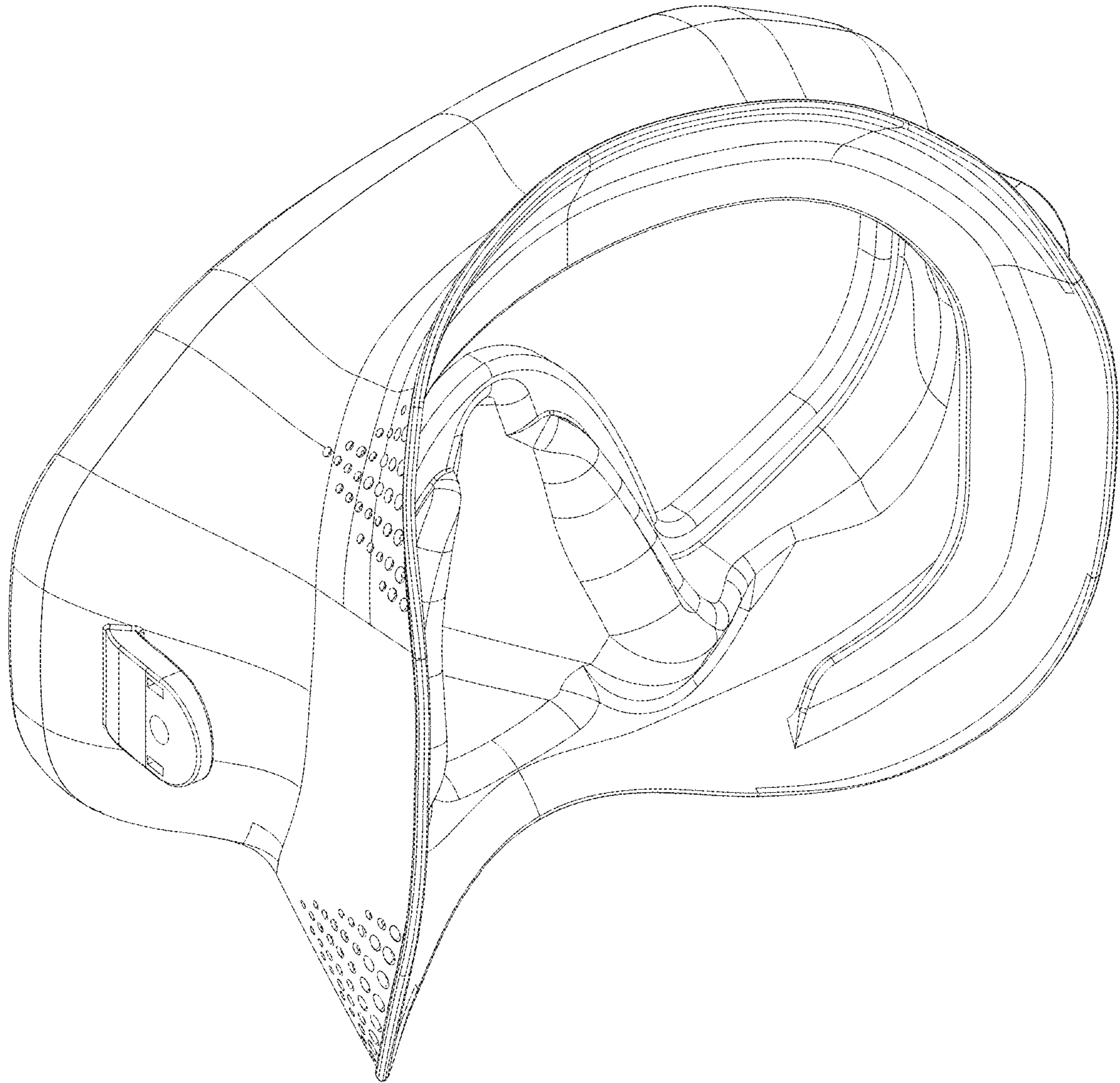


FIG. 8

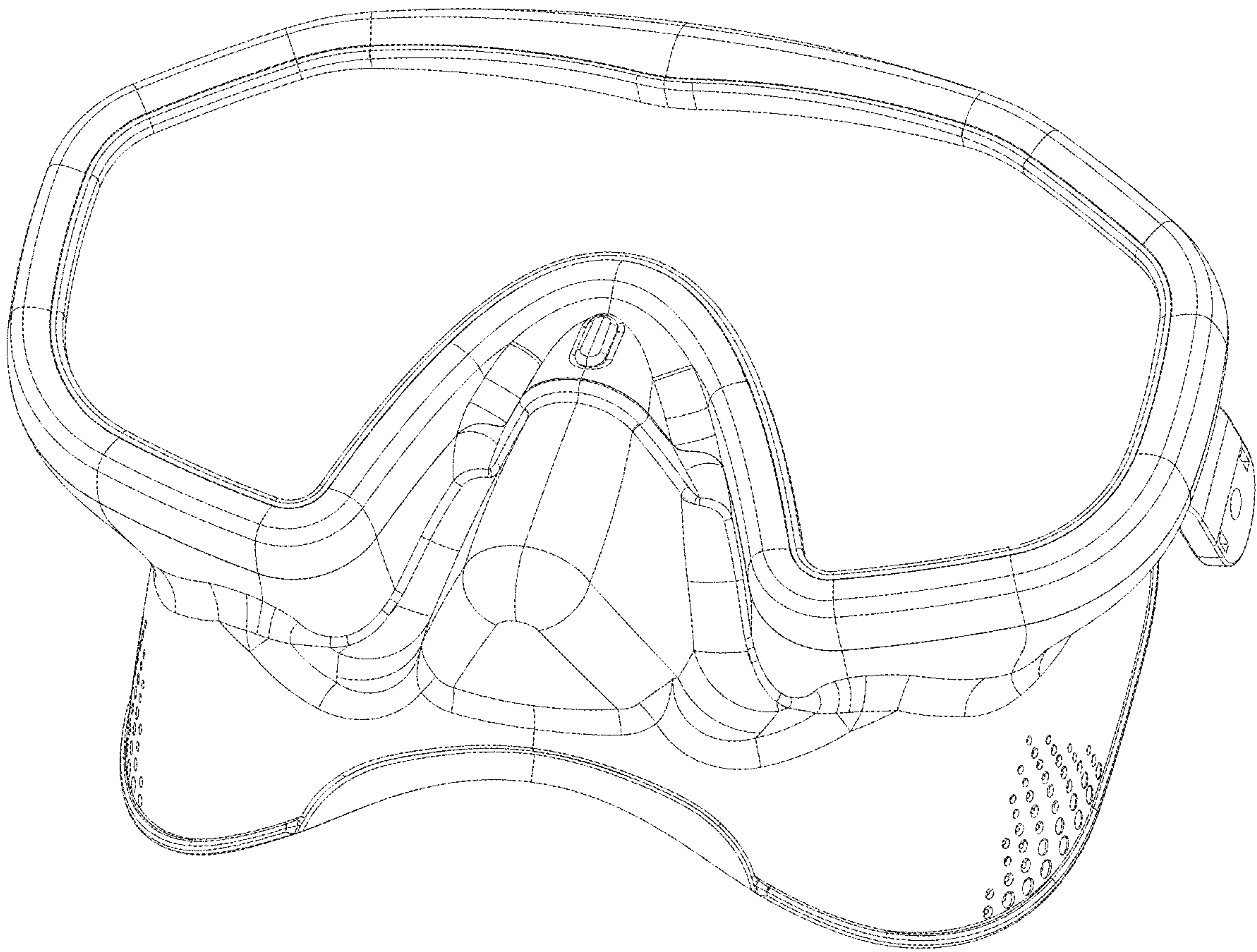


FIG. 9

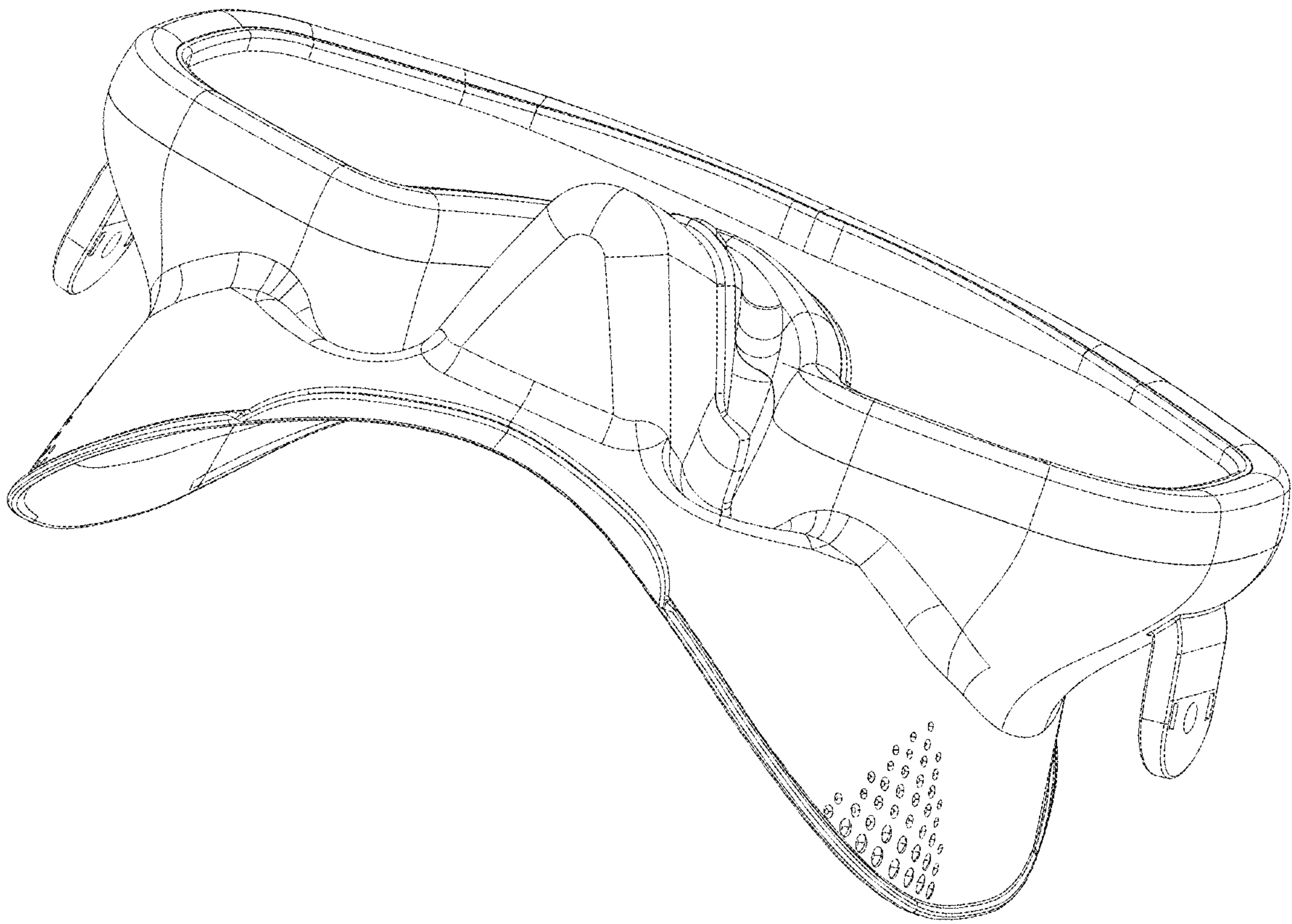


FIG. 10