



US00D979042S

(12) **United States Design Patent**
Xu

(10) **Patent No.:** **US D979,042 S**

(45) **Date of Patent:** **** Feb. 21, 2023**

(54) **VENTILATION HOOD**

(71) Applicant: **Mengdie Xu**, Zhejiang (CN)

(72) Inventor: **Mengdie Xu**, Zhejiang (CN)

(**) Term: **15 Years**

(21) Appl. No.: **29/762,721**

(22) Filed: **Dec. 18, 2020**

(51) **LOC (14) Cl.** **23-03**

(52) **U.S. Cl.**
USPC **D23/393**

(58) **Field of Classification Search**
USPC D23/333, 351, 353, 356, 370, 371, 372,
D23/373, 385, 386, 387, 388, 390, 392,
D23/393, 394

CPC F24F 1/0041; F24F 1/0047; F24F 1/0317;
F24F 7/003; F24F 7/04; F24F 7/08; F24F
7/013; F24F 13/02; F24F 13/0209; F24F
13/0218; F24F 13/06; F24F 13/068; F24F
13/08; F24F 13/082; F24F 13/084; F24F
2007/0025

See application file for complete search history.

(56) **References Cited**

U.S. PATENT DOCUMENTS

- D192,946 S * 5/1962 Parsons D23/351
- D275,603 S * 9/1984 Brown D23/373
- D292,312 S * 10/1987 Van Ee D23/371
- D378,125 S * 2/1997 Vannier D23/364
- 5,711,091 A * 1/1998 Bos D06F 58/20
52/220.8
- D448,468 S * 9/2001 Koessler D23/373
- 6,796,100 B1 * 9/2004 Venezia E04D 13/152
52/302.1
- D560,276 S * 1/2008 Whittenberger D23/386
- 7,334,420 B1 * 2/2008 Garris F24F 13/32
62/263
- D634,085 S * 3/2011 Lin D32/31

- 8,152,607 B2 * 4/2012 Carrig B08B 15/02
454/49
- D675,719 S * 2/2013 Eicher D23/393
- D675,723 S * 2/2013 Garcia D23/393
- D678,994 S * 3/2013 Miyake D23/371
- D705,419 S * 5/2014 Leonard D23/373
- D730,509 S * 5/2015 Funnell, II D23/372
- D788,904 S * 6/2017 Hanig A01F 25/14
D23/393
- D789,512 S * 6/2017 Cross D23/393
- 2004/0231657 A1 * 11/2004 Cheon F24C 15/2028
126/299 R
- 2015/0241122 A1 * 8/2015 Cross F24H 3/0411
454/289

OTHER PUBLICATIONS

Island Range Hood Installation, Jun. 12, 2014, YouTube, site visited Dec. 1, 2022: <https://www.youtube.com/watch?v=AjB42shF1Ts> (Year: 2014).*

(Continued)

Primary Examiner — Jack Reickel

Assistant Examiner — Bobby W Jones, II

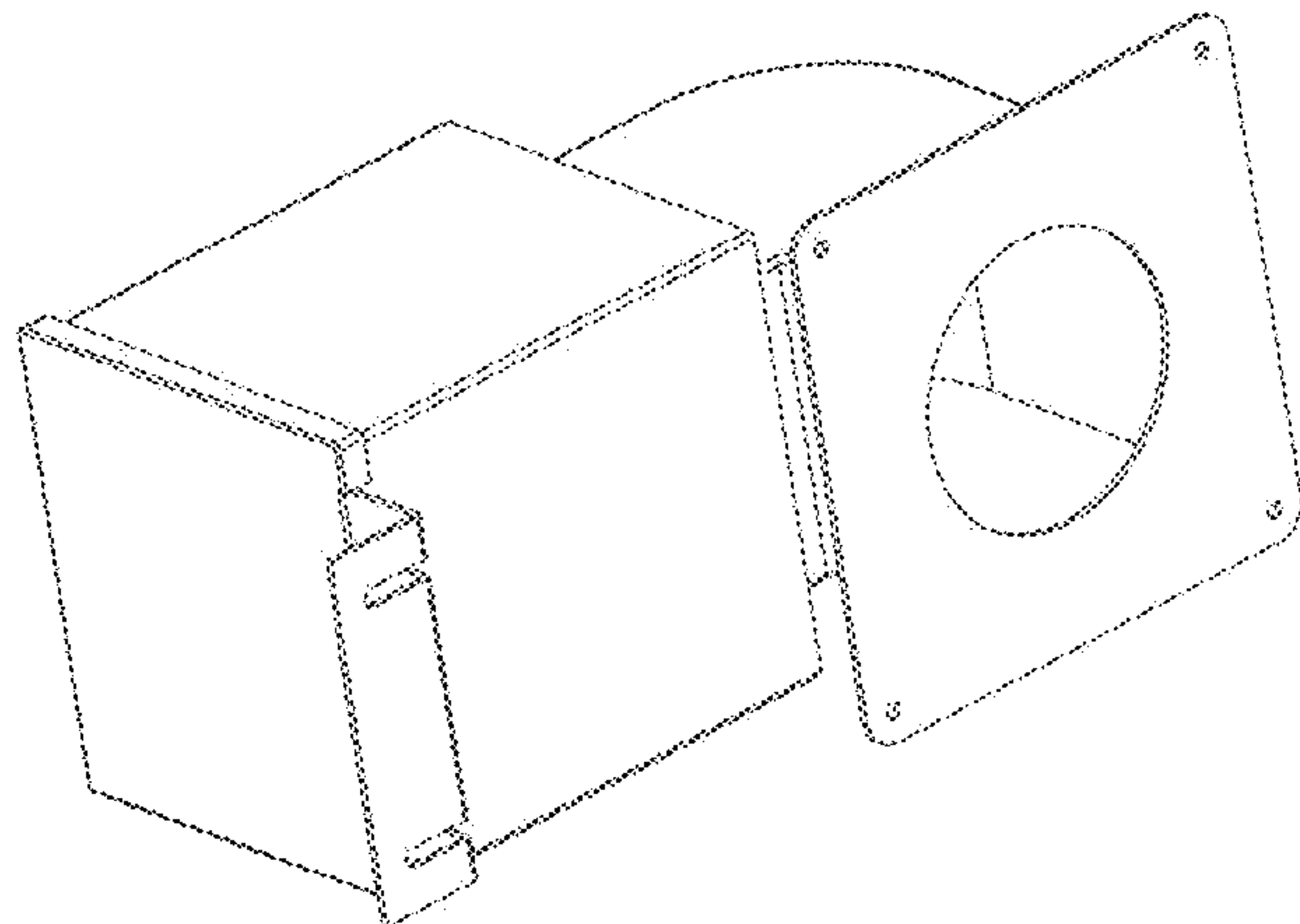
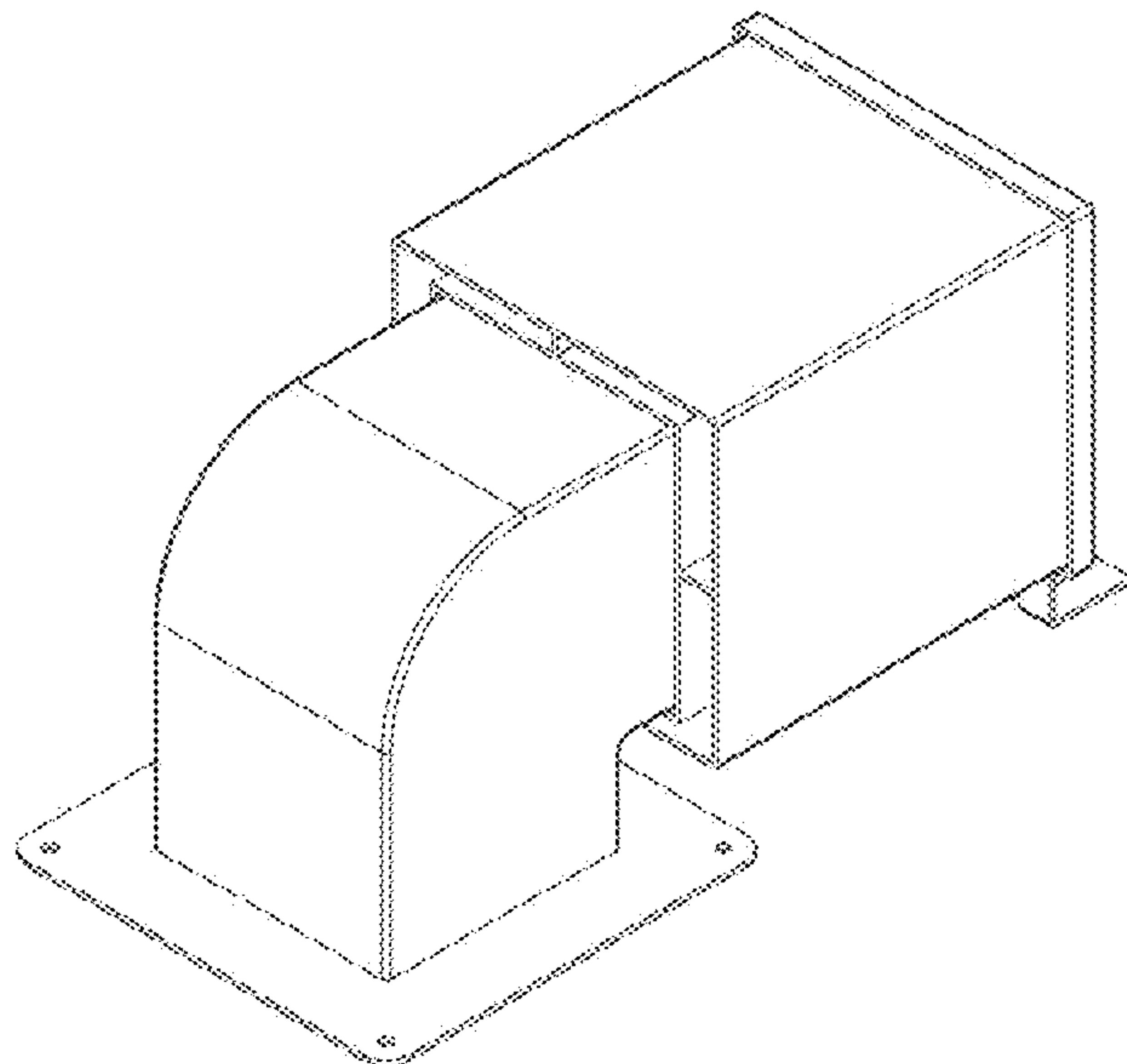
(57) **CLAIM**

The ornamental design for a ventilation hood, as shown and described.

DESCRIPTION

FIG. 1 is a perspective view of a ventilation hood showing my new design;
FIG. 2 is an alternative perspective view thereof;
FIG. 3 is a front view thereof;
FIG. 4 is a back view thereof;
FIG. 5 is a left side view thereof;
FIG. 6 is a right side view thereof;
FIG. 7 is a top view thereof; and,
FIG. 8 is a bottom view thereof.

1 Claim, 8 Drawing Sheets



(56)

References Cited

OTHER PUBLICATIONS

Baoshishan Solder Fume Extractor, Jan. 23, 2019, Amazon, site visited Dec. 1, 2022: <https://www.amazon.ca/dp/B07MCX93CH/> (Year: 2019).*

Imperial VT0503 Outdoor Exhaust Vent, Dec. 17, 2019, Amazon, site visited Dec. 1, 2022: <https://www.amazon.ca/dp/B07NRC13HP/> (Year: 2019).*

* cited by examiner

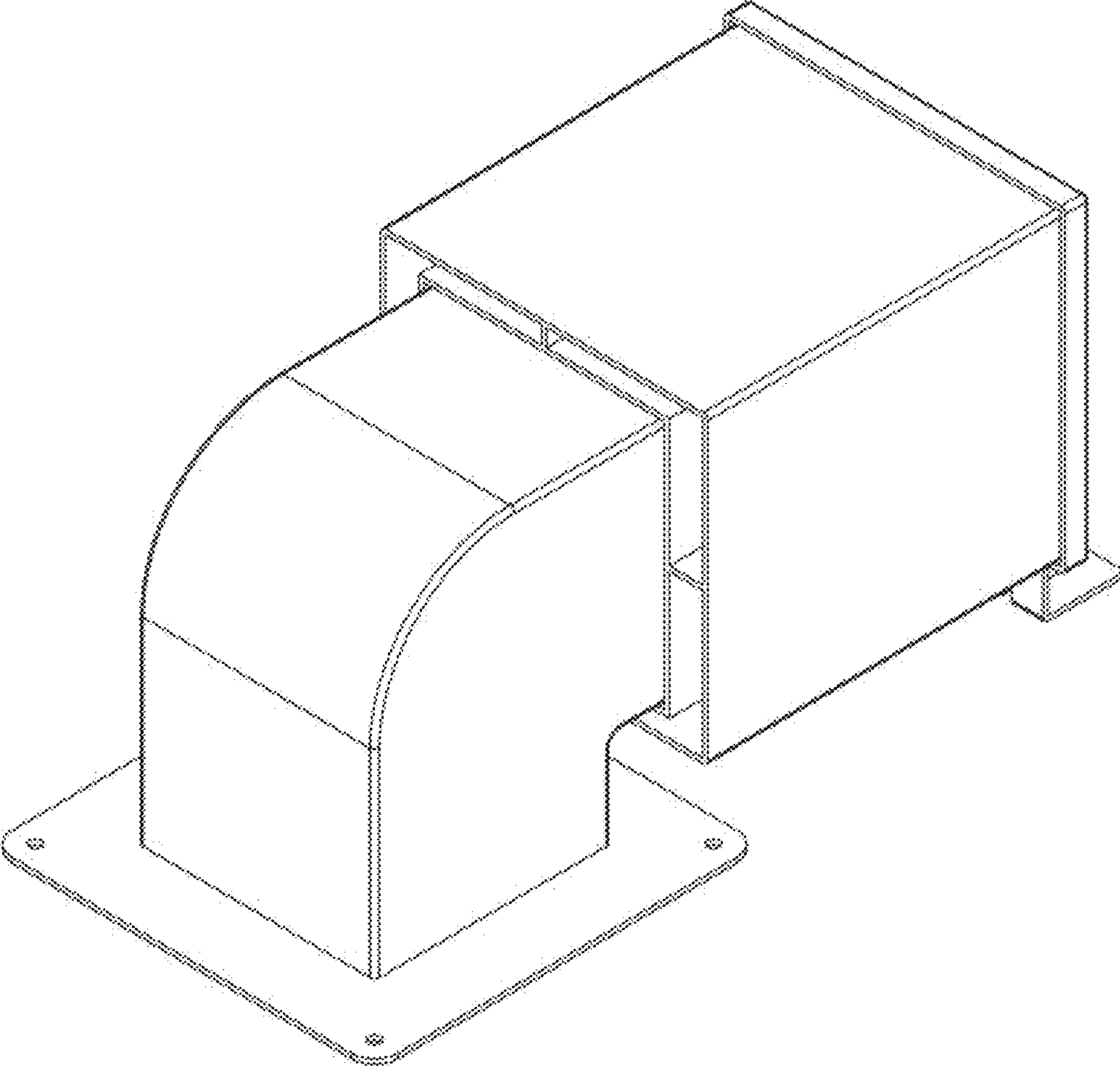


FIG. 1

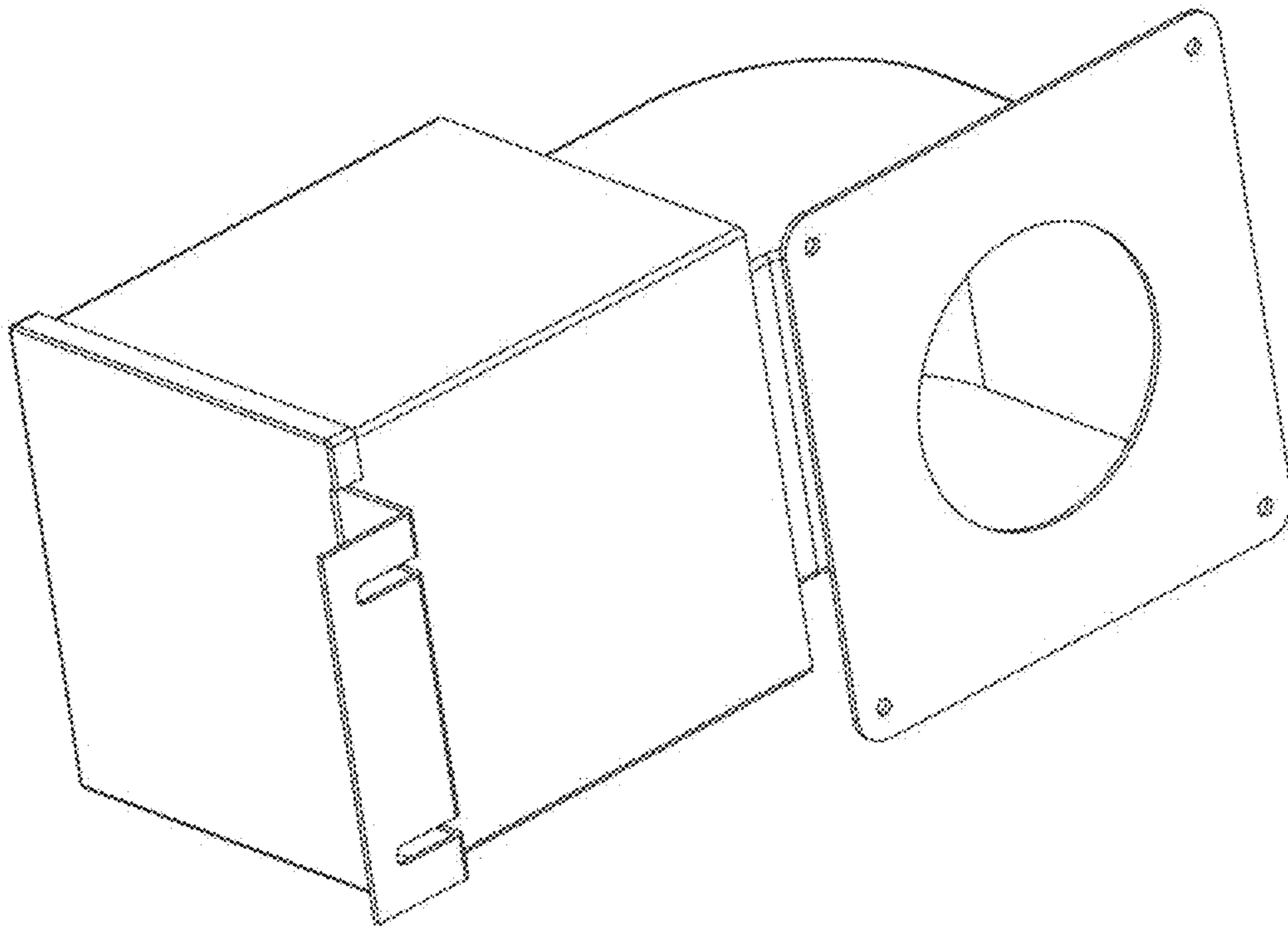


FIG. 2

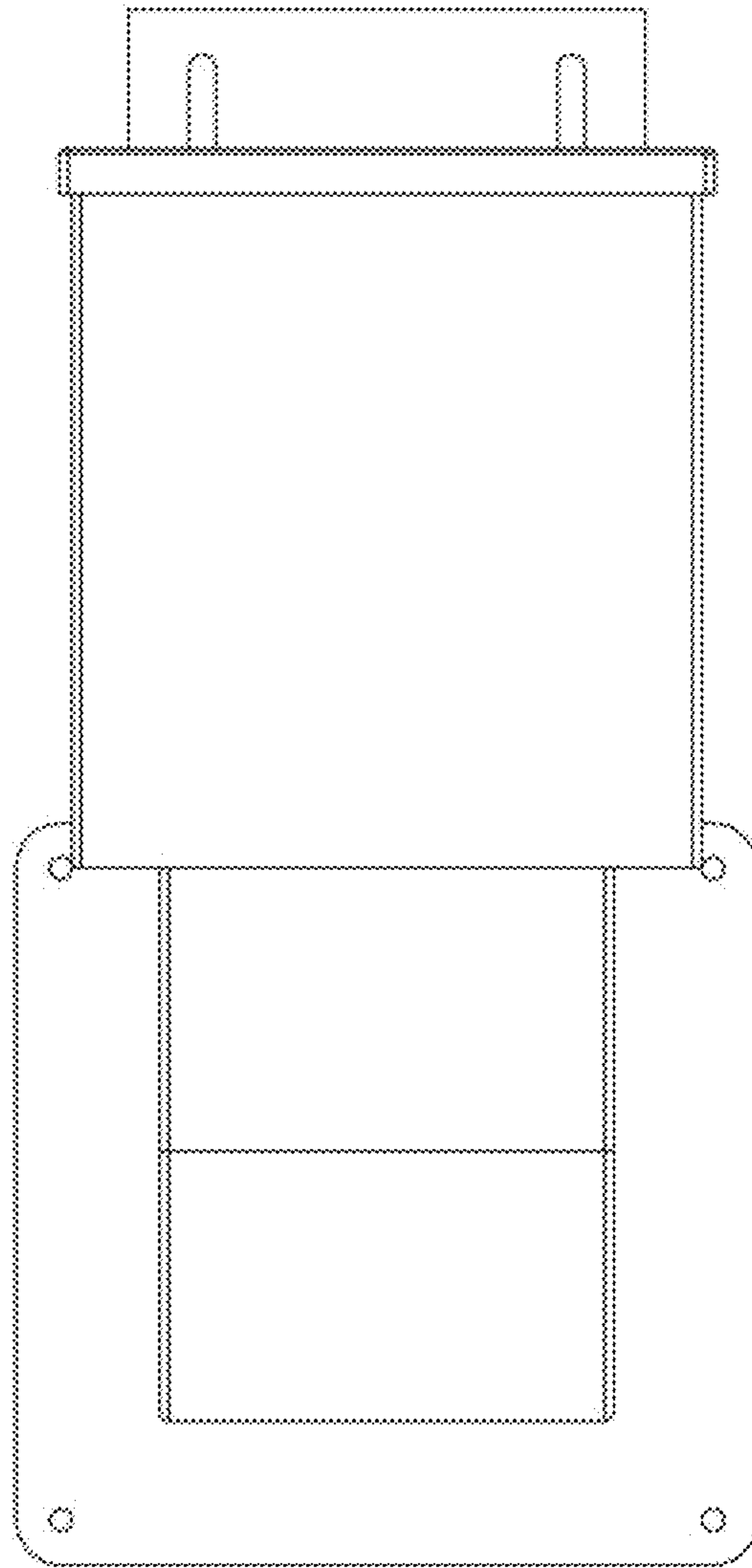


FIG. 3

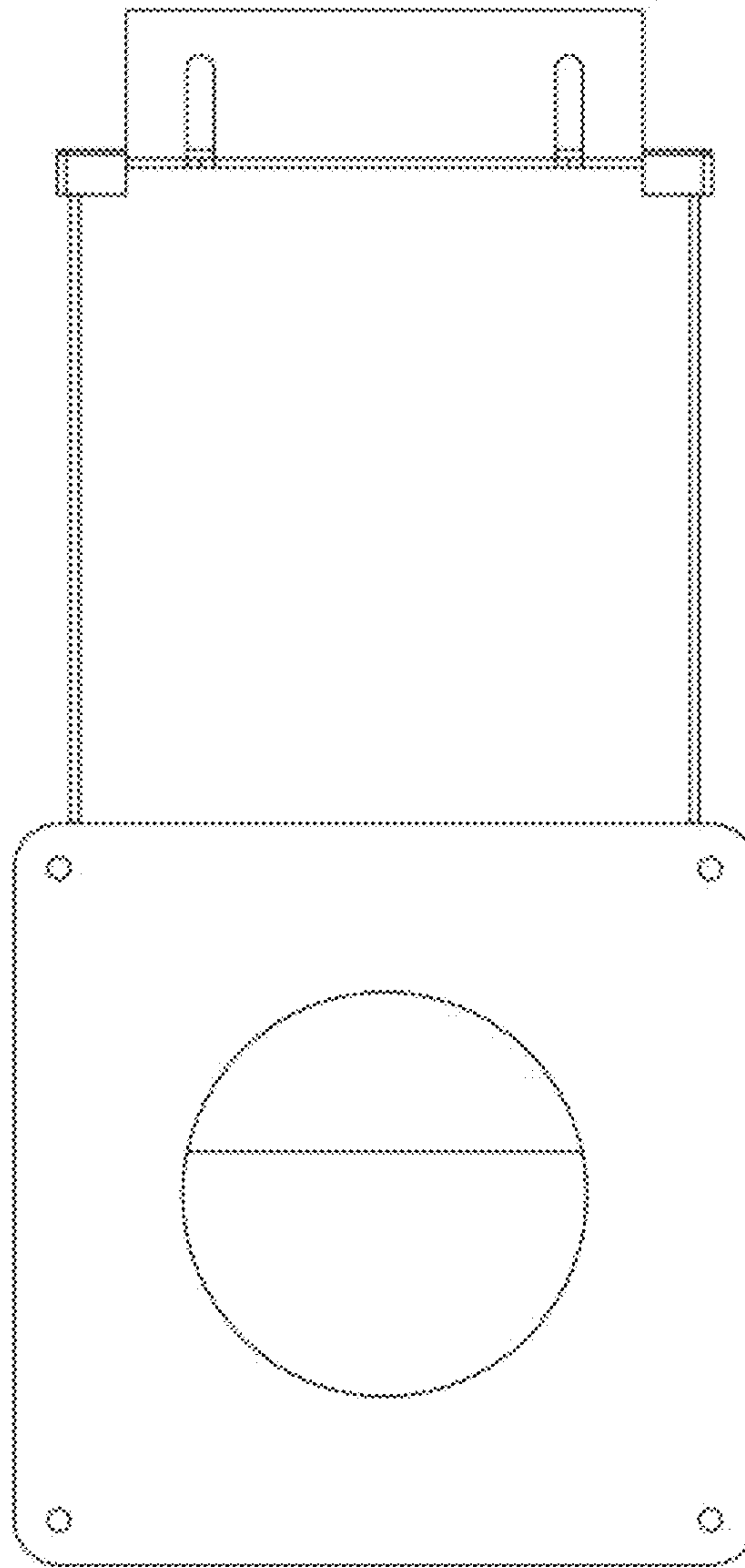


FIG. 4

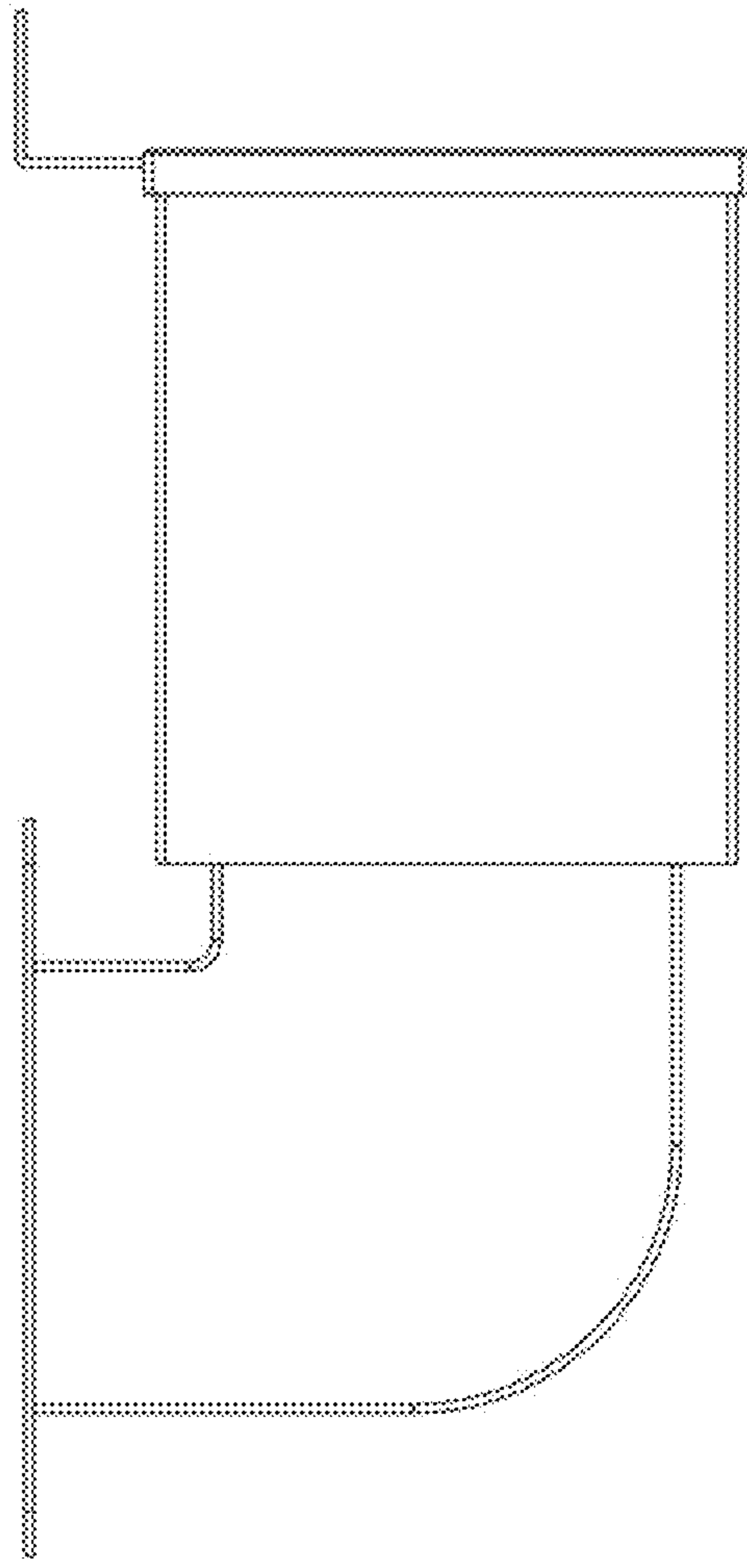


FIG. 5

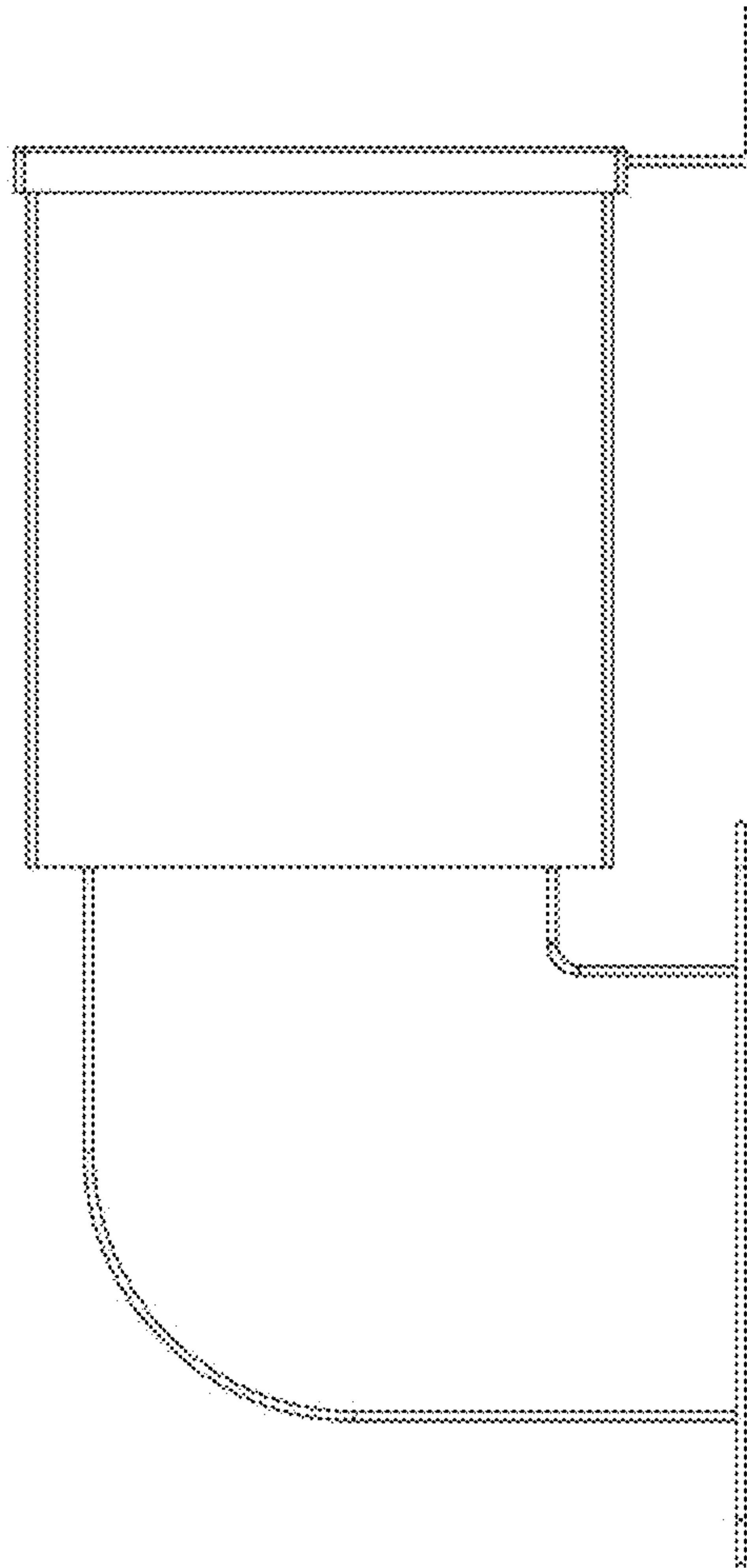


FIG. 6

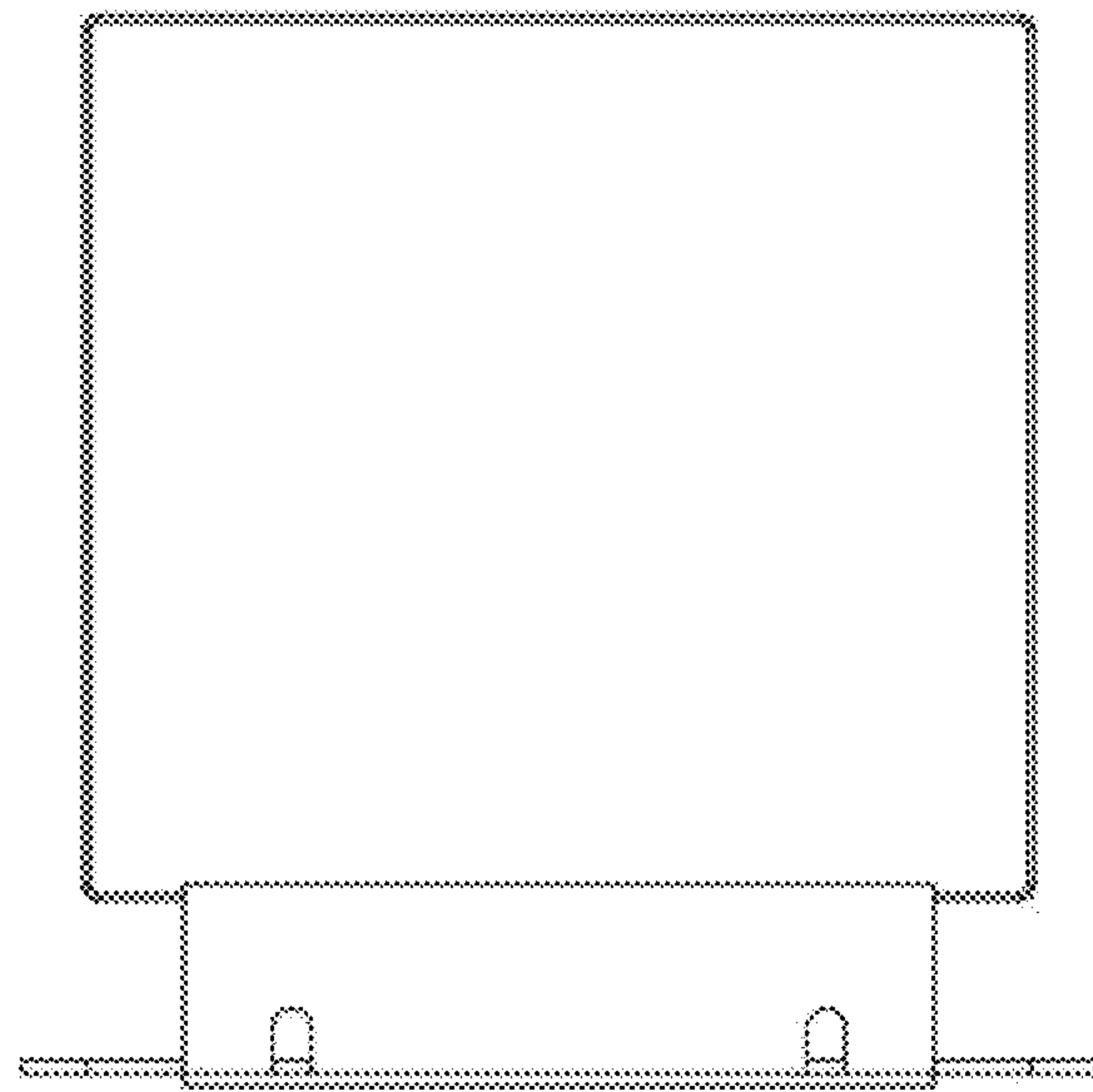


FIG. 7

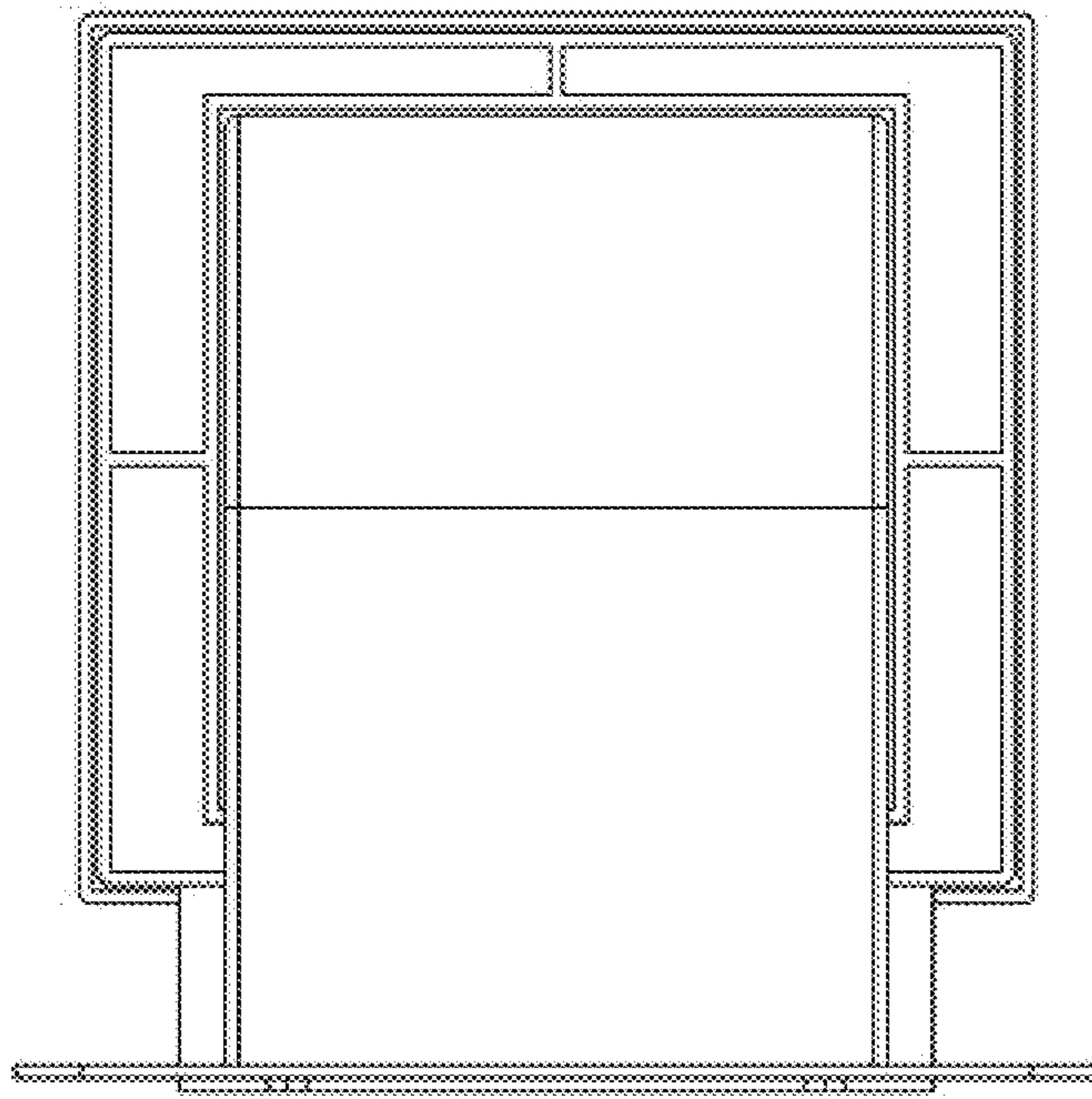


FIG. 8