



US00D979041S

(12) **United States Design Patent**
Hu et al.

(10) **Patent No.:** **US D979,041 S**

(45) **Date of Patent:** **** Feb. 21, 2023**

(54) **WEARABLE FAN**

(71) Applicant: **SHENZHEN WILLSEA
E-COMMERCE CO. LIMITED,**
Shenzhen (CN)

(72) Inventors: **Wentao Hu,** Shenzhen (CN); **Zhenjie Mo,** Shenzhen (CN)

(73) Assignee: **SHENZHEN WILLSEA
E-COMMERCE CO. LIMITED,**
Shenzhen (CN)

(**) Term: **15 Years**

(21) Appl. No.: **29/652,893**

(22) Filed: **Dec. 31, 2020**

(51) **LOC (14) Cl.** **23-04**

(52) **U.S. Cl.**
USPC **D23/380; D23/382**

(58) **Field of Classification Search**
USPC D23/333, 370, 378–382, 411–414;
D26/59; D14/205
CPC F24F 2221/38; F04D 25/084; F04D
25/0673; F04D 25/166; A42B 3/286
See application file for complete search history.

(56) **References Cited**

U.S. PATENT DOCUMENTS

D731,999 S *	6/2015	Cepress	D14/205
D800,088 S *	10/2017	Kim	D14/205
D824,364 S *	7/2018	Kim	H04R 25/00
				D14/206
D851,061 S *	6/2019	Zeng	D14/205
D862,679 S *	10/2019	Zhou	D23/380
D903,087 S *	11/2020	Zhou	D23/370
D908,857 S *	1/2021	Cao	D23/380
D919,074 S *	5/2021	Cai	D23/380

D936,818 S *	11/2021	Xu	D23/382
D939,074 S *	12/2021	He	D23/382
D956,202 S *	6/2022	Yang	D23/382
2021/0324865 A1 *	10/2021	Park	F04D 25/084
2022/0118288 A1 *	4/2022	Space	B01D 46/0047

OTHER PUBLICATIONS

Upgraded Neck Reading Light Rechargeable LED Book Lights for Reading in Bed, date first available Dec. 2, 2021, site visited Sep. 21, 2022, available at <https://www.amazon.com/dp/B09MW1VFC8/ref=sspa_dk_detail_3?ie=UTF8&psc=1&pd_rd_i=&pd_rd_i=B09MW1VFC8p13NParams&s=hi&sp_csd=d2lkZ2V0TmFtZT1zcF9kZXRhaWw>.*
Portable Neck Fan with LED Light Hand-free Mini USB Personal Fan with 3 Wind Speeds and 3 Lighting Modes, date first video/image available Jul. 20, 2022, site visited Sep. 21, 2022, available at <https://www.amazon.com/LBTbate-Oscillating-Portable-Personal-Traveling/dp/B07SKDKJJP?ref_=ast_sto_dp&th=1>.*

(Continued)

Primary Examiner — Sharon S Oum
(74) *Attorney, Agent, or Firm* — Bayes PLLC

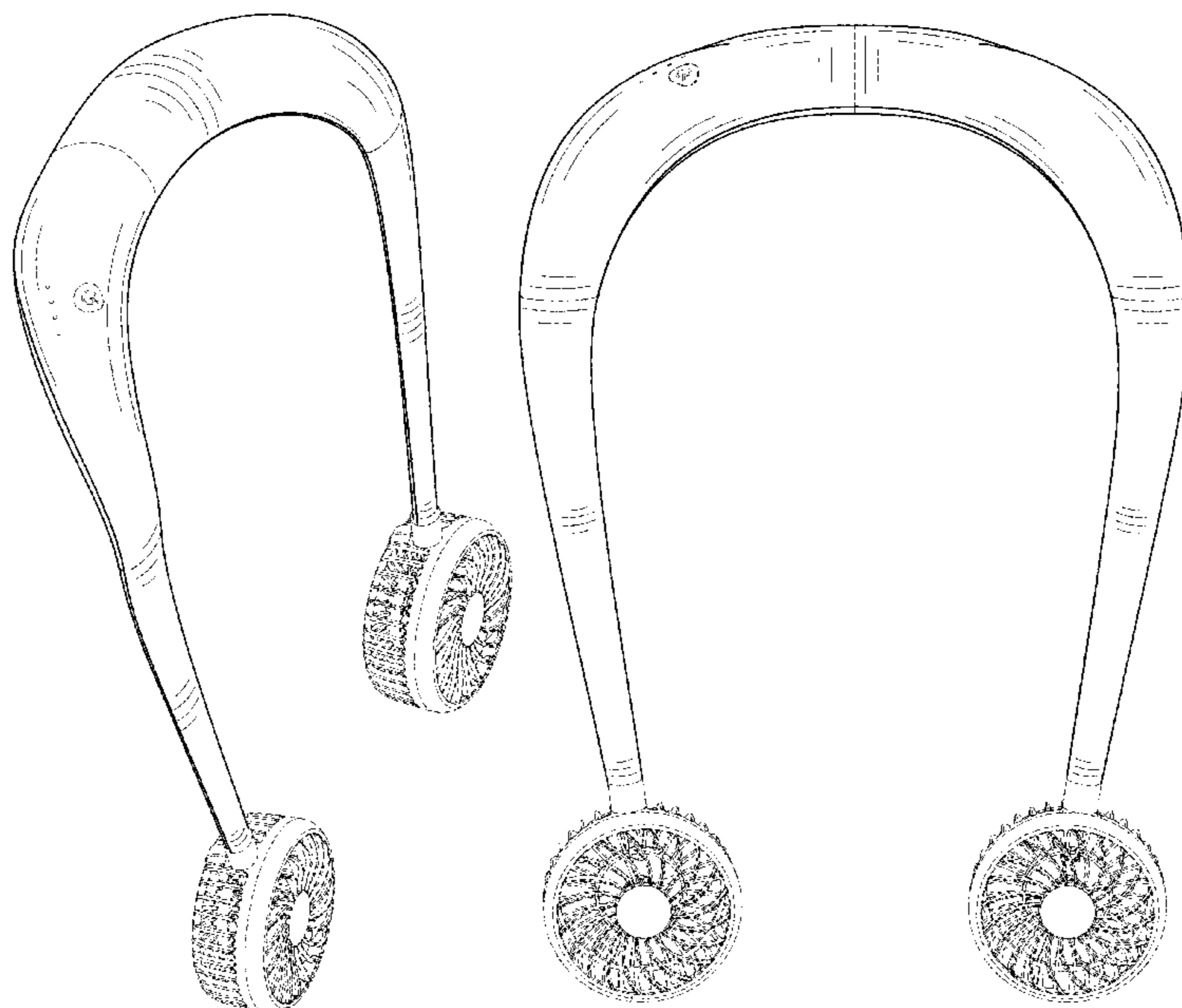
(57) **CLAIM**

The ornamental design for wearable fan, as shown and described.

DESCRIPTION

FIG. 1 is a bottom front perspective view of a wearable fan; FIG. 2 is a top front perspective view thereof; FIG. 3 is a front view thereof; FIG. 4 is a rear view thereof; FIG. 5 is a left side view thereof; FIG. 6 is a right side view thereof; FIG. 7 is a top view thereof; and, FIG. 8 is a bottom view thereof.
The broken lines in the figures show portions of the wearable fan that form no part of the claimed design.

1 Claim, 8 Drawing Sheets



(56)

References Cited

OTHER PUBLICATIONS

Hang neck fan, Registration No. 306191567, Application No. 202030397409.8, application date Jul. 21, 2020, date published Nov. 24, 2020, published in CN, site visited Sep. 22, 2022, available at www.orbit.com.*

Hang neck fan, Registration No. 305776600, Application No. 201930634846.4, application date Nov. 18, 2019, date published May 12, 2020, published in CN, site visited Sep. 22, 2022, available at www.orbit.com.*

* cited by examiner

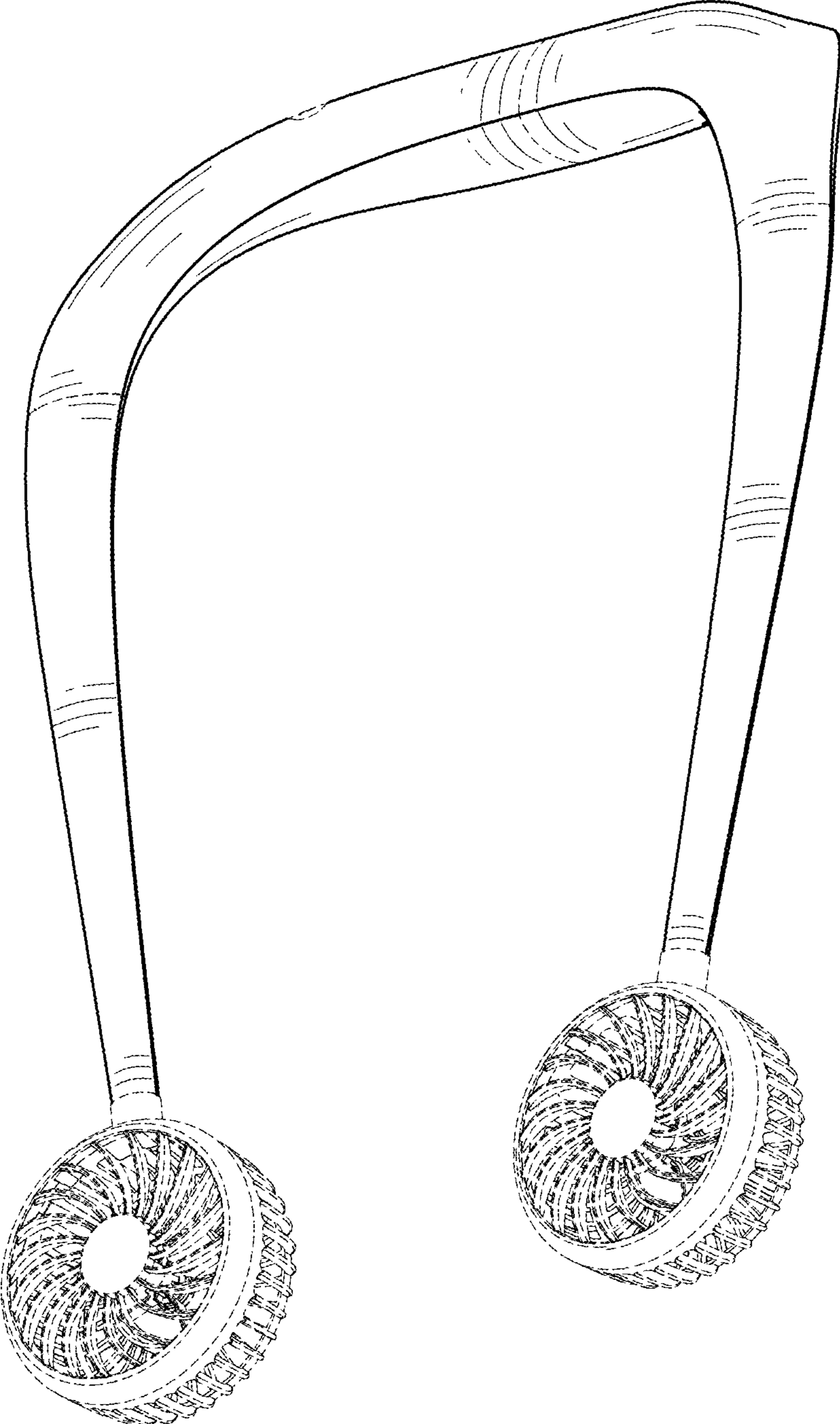


FIG. 1

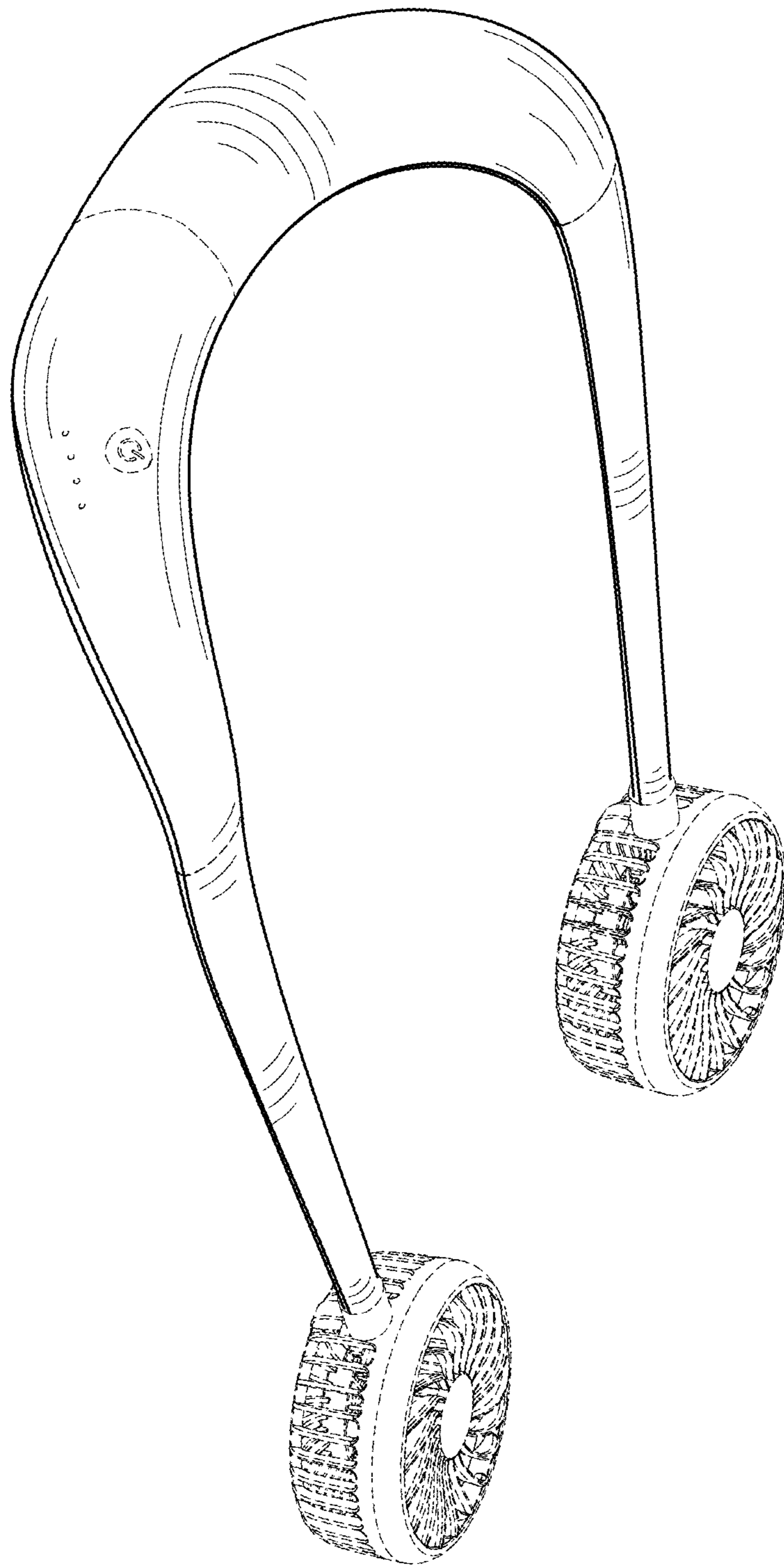


FIG. 2

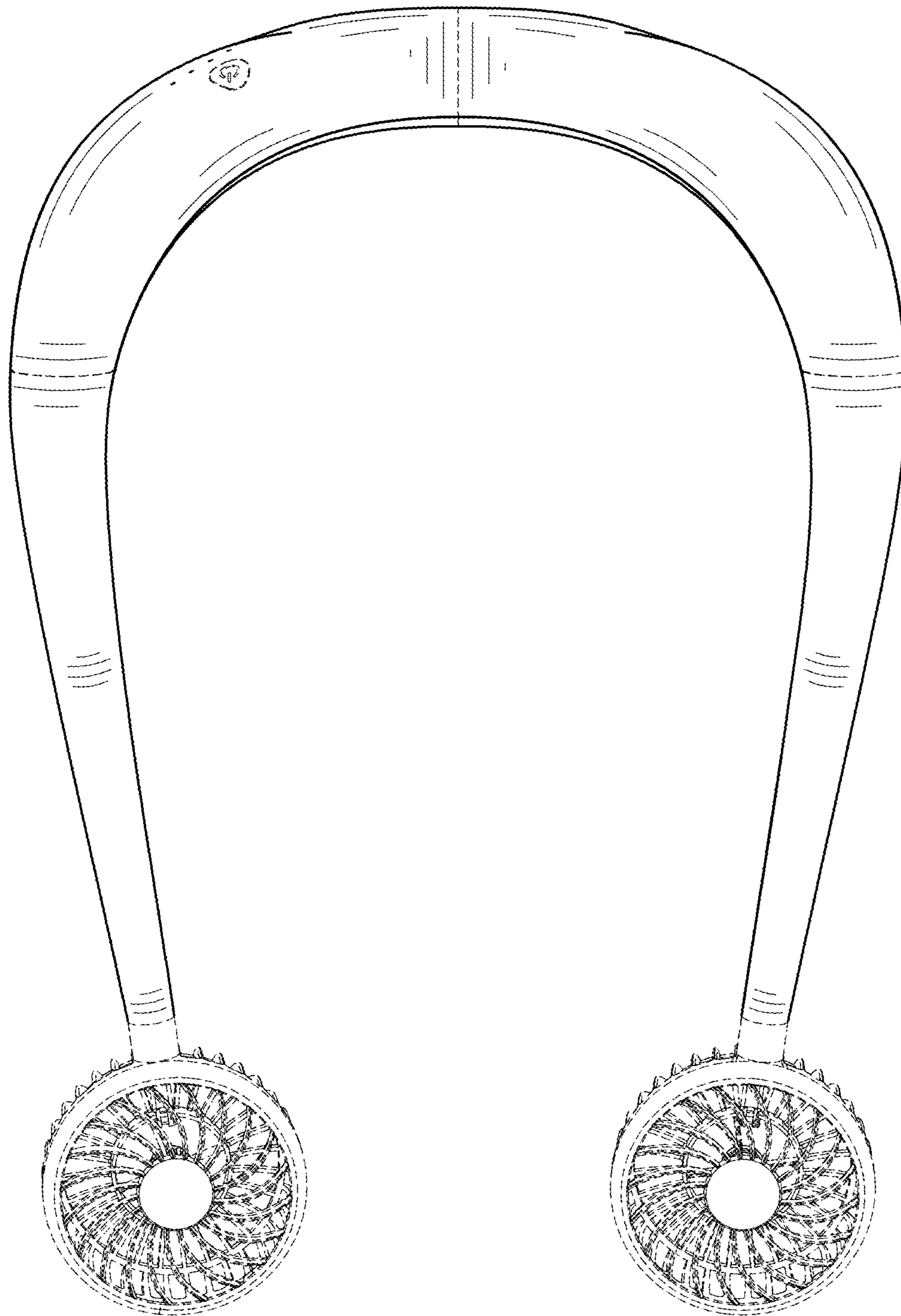


FIG. 3

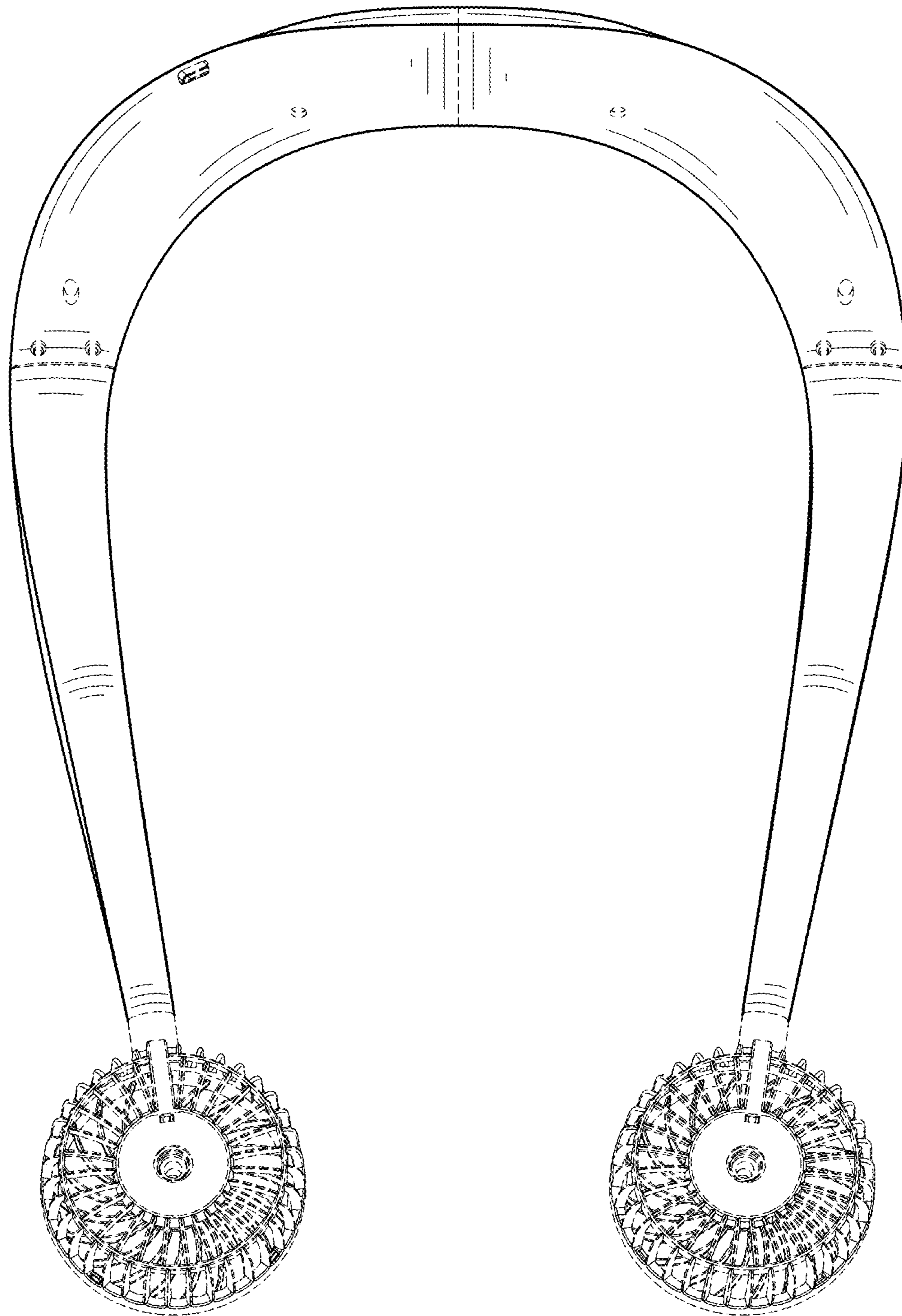


FIG. 4

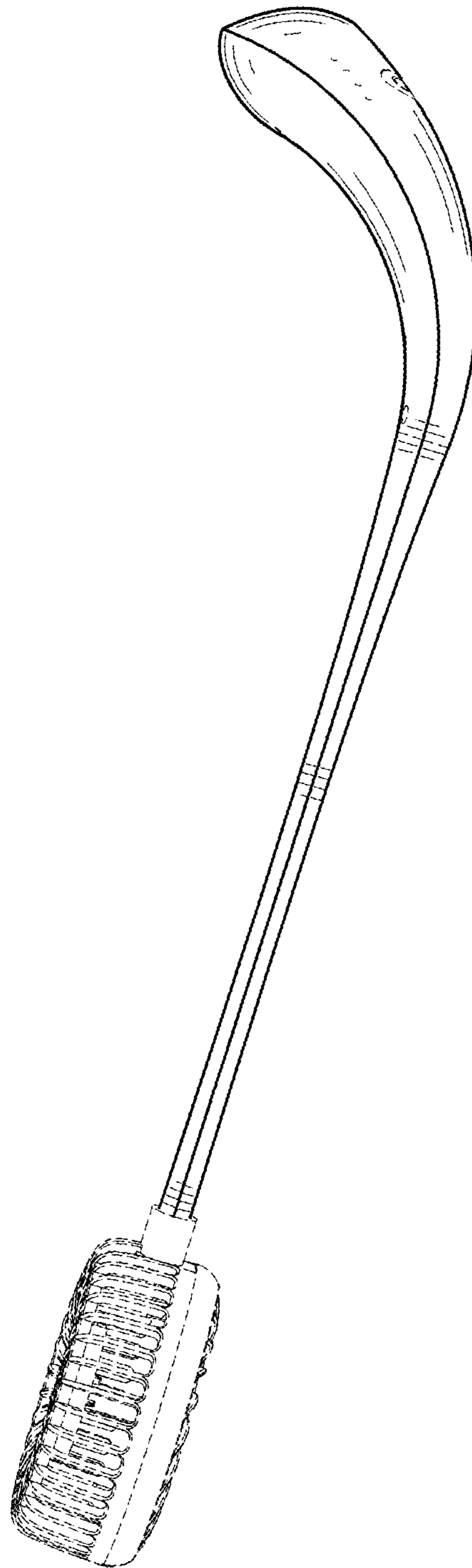


FIG. 5

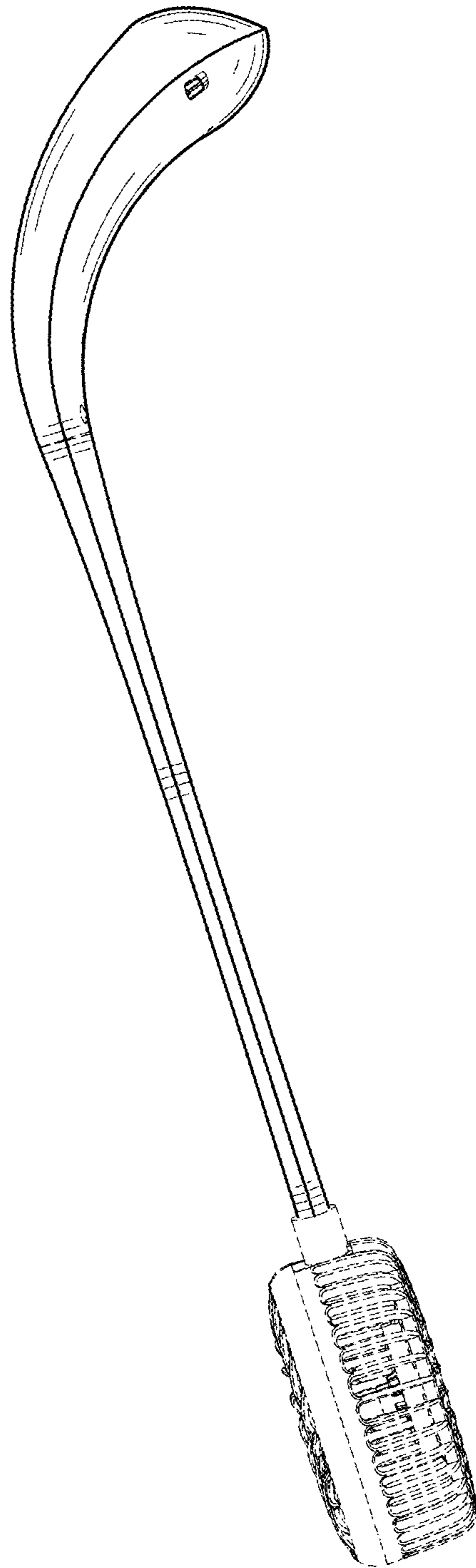


FIG. 6

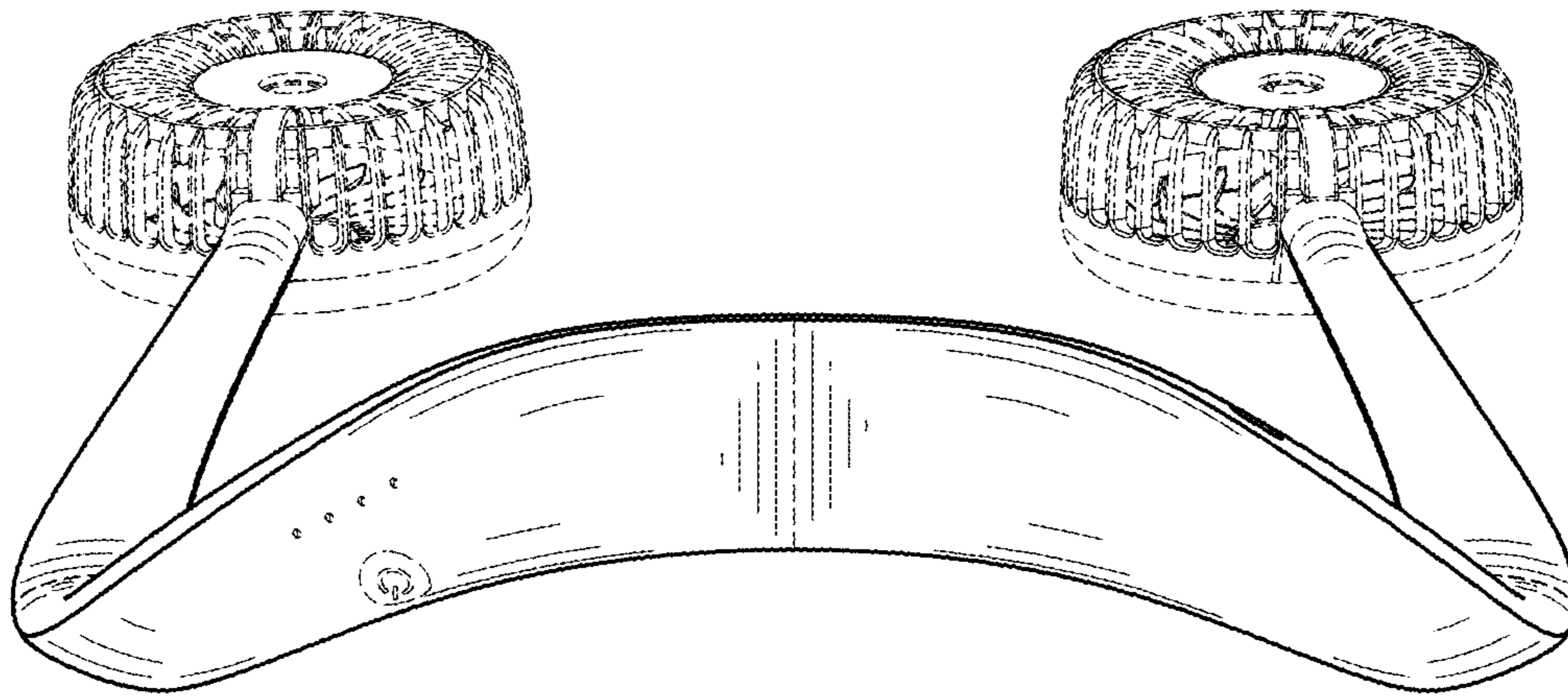


FIG. 7

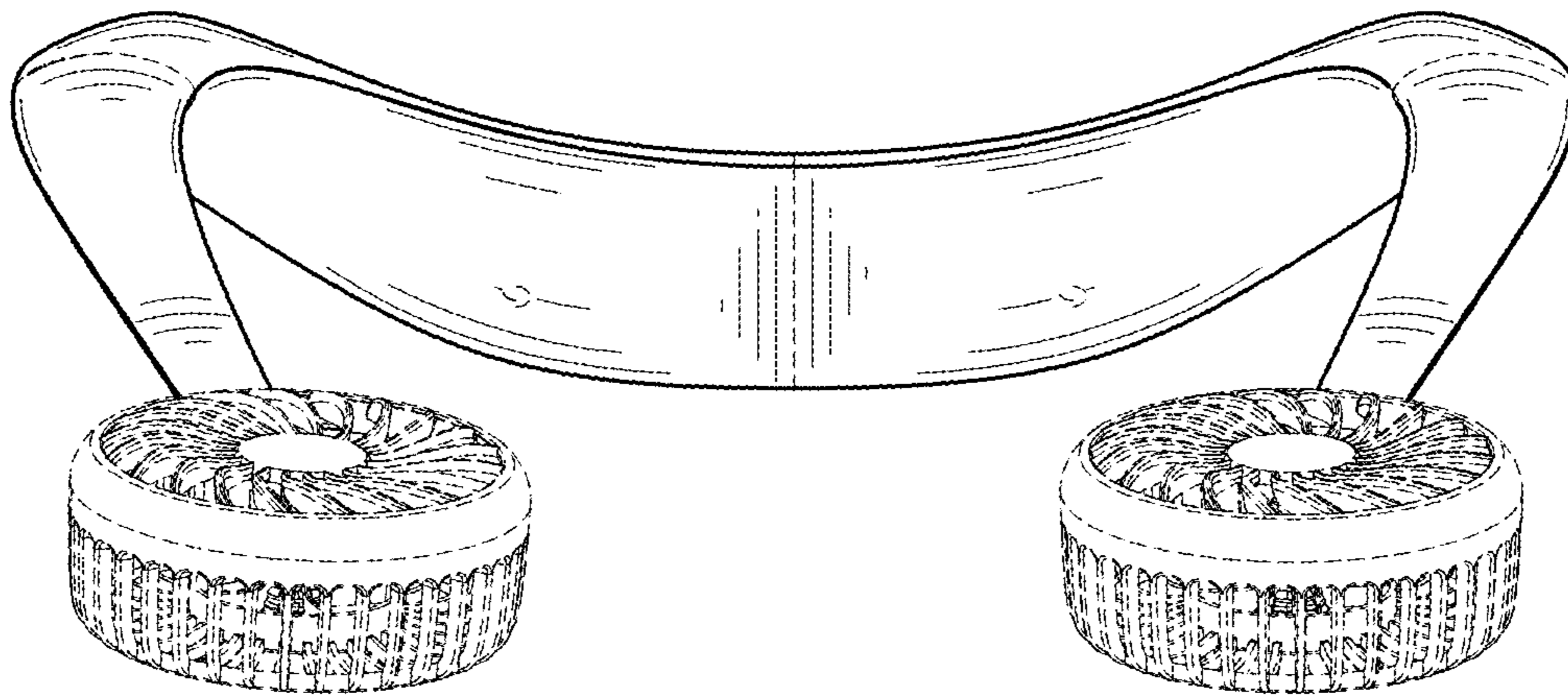


FIG. 8