



US00D979039S

(12) **United States Design Patent**  
**Indio da Costa**

(10) **Patent No.:** **US D979,039 S**

(45) **Date of Patent:** **\*\* Feb. 21, 2023**

(54) **CEILING FAN**

(71) Applicant: **Luiz Augusto de Siqueira Indio da Costa**, Rio de Janeiro (BR)

(72) Inventor: **Luiz Augusto de Siqueira Indio da Costa**, Rio de Janeiro (BR)

(\*\*) Term: **15 Years**

(21) Appl. No.: **29/713,349**

(22) Filed: **Nov. 15, 2019**

**Related U.S. Application Data**

(62) Division of application No. 29/605,460, filed on May 26, 2017, now Pat. No. Des. 884,144.

(51) **LOC (14) Cl.** ..... **23-04**

(52) **U.S. Cl.**  
USPC ..... **D23/377**

(58) **Field of Classification Search**  
USPC ..... D26/59; D23/370, 377, 385, 411-414  
CPC ..... F04D 25/088; F04D 19/002  
See application file for complete search history.

(56) **References Cited**

**U.S. PATENT DOCUMENTS**

D346,438 S *	4/1994	Caldwell	.....	D23/385
D421,797 S *	3/2000	Collmar	.....	D23/385
D475,775 S	6/2003	Da Costa		
D510,763 S *	10/2005	Da Costa	.....	D23/377
D515,196 S	2/2006	Indio Da Costa		
D612,476 S *	3/2010	Noble	.....	D23/377
D614,757 S *	4/2010	Noble	.....	D23/377
8,133,028 B2	3/2012	Liu		
D675,720 S *	2/2013	Martin Conillas	.....	D23/370
D678,997 S	3/2013	Gajewski		

(Continued)

**FOREIGN PATENT DOCUMENTS**

BR 30 2013 005396-2 F 1/2015

**OTHER PUBLICATIONS**

IC\_Air Solo, [online], [retrieved on May 19, 2017]. Retrieved from Internet, <URL: <http://indiodacostadesignstore.com/ventiladores/>>.

(Continued)

*Primary Examiner* — Janice Hallmark

(74) *Attorney, Agent, or Firm* — Renner, Otto, Boisselle & Sklar, LLP

(57) **CLAIM**

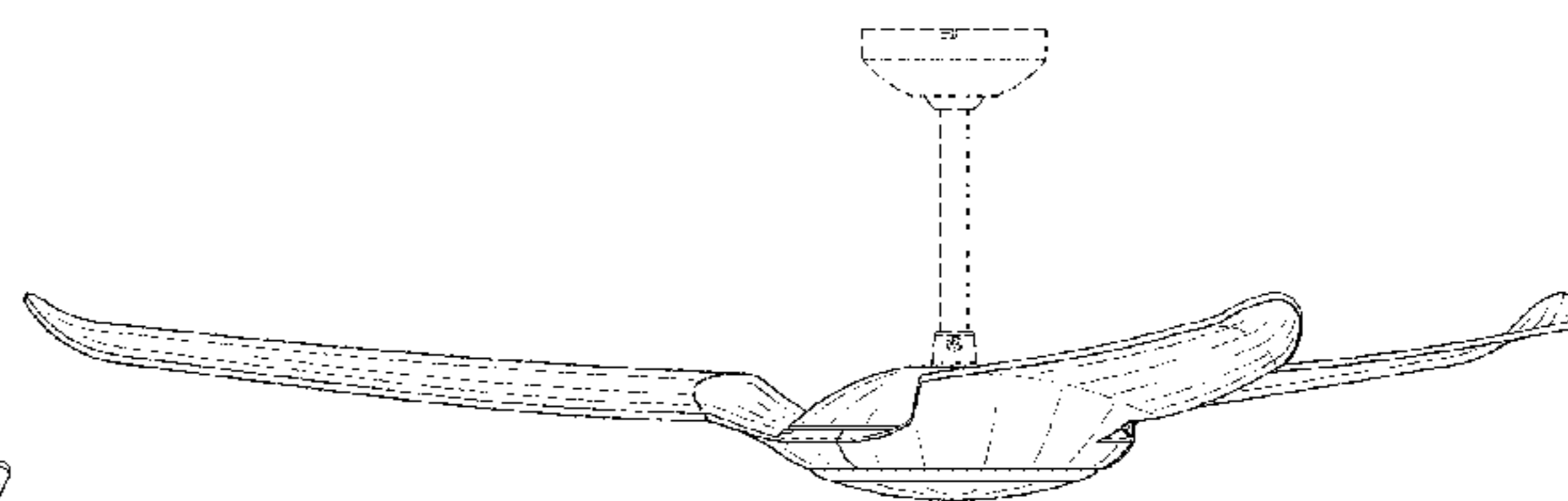
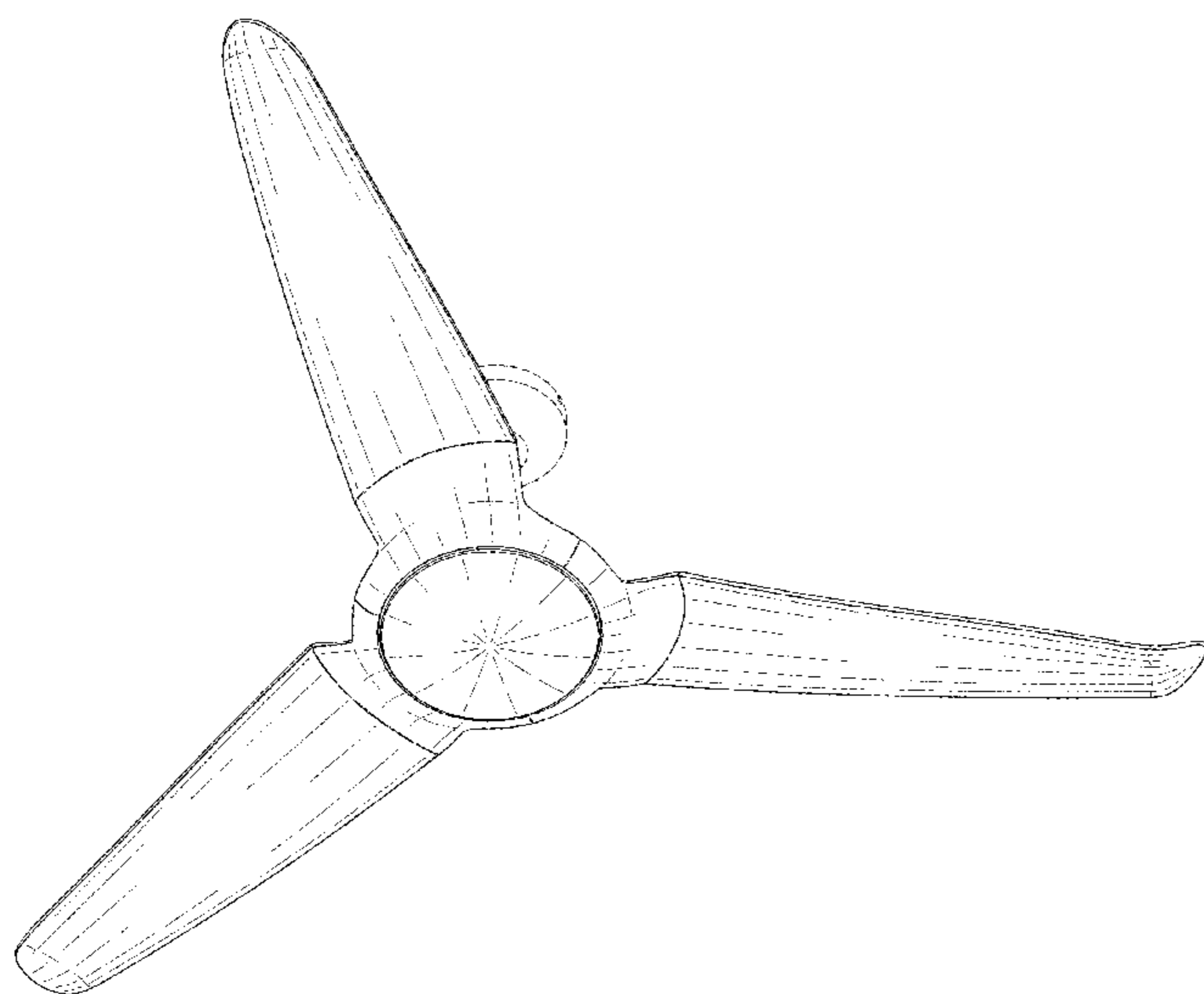
The ornamental design for a ceiling fan, as shown and described.

**DESCRIPTION**

FIG. 1 is a top, front, right perspective view of a first embodiment of a ceiling fan showing my new design; FIG. 2 is a bottom, front, right perspective view thereof; FIG. 3 is a top plan view thereof; FIG. 4 is a bottom plan view thereof; FIG. 5 is a front elevation view thereof; FIG. 6 is a rear elevation view thereof; FIG. 7 is a right side elevation view thereof; FIG. 8 is a left side elevation view thereof; FIG. 9 is a top, front, right perspective view of a second embodiment of a ceiling fan showing my new design; FIG. 10 is a bottom, front, right perspective view thereof; FIG. 11 is a top plan view thereof; FIG. 12 is a bottom plan view thereof; FIG. 13 is a front elevation view thereof; FIG. 14 is a rear elevation view thereof; FIG. 15 is a right side elevation view thereof; and, FIG. 16 is a left side elevation view thereof.

The broken line showing represents unclaimed portions of the article and forms no part of the claimed design. The embodiment shown in FIGS. 9-16 include a translucent light cover on the bottom of the main fan body, shown using diagonal double lines.

**1 Claim, 12 Drawing Sheets**



(56)

## References Cited

## U.S. PATENT DOCUMENTS

D680,210	S	4/2013	Chan	
D690,409	S *	9/2013	Noble	D23/379
D692,120	S	10/2013	Noble	
D715,418	S *	10/2014	Schulzman	D26/59
D716,436	S *	10/2014	Johnson	D26/59
D741,468	S	10/2015	Ertze	
D741,988	S *	10/2015	Pan	D23/377
D761,949	S *	7/2016	Badarello	D23/377
D762,296	S *	7/2016	Badarello	D23/377
D770,027	S *	10/2016	Noble	D23/385
D772,393	S	11/2016	Cliff	
D797,917	S *	9/2017	Oleson	D23/385
D798,433	S *	9/2017	Badarello	D23/413
D799,661	S *	10/2017	Holmes	D23/385
D800,288	S *	10/2017	Jones	D23/385
D800,291	S *	10/2017	Wang	D23/385
D807,490	S	1/2018	Ruan	
D807,492	S *	1/2018	Hidalgo	D23/377
D807,493	S *	1/2018	Hidalgo	D23/377
D828,915	S	9/2018	Haggar	
D835,250	S *	12/2018	Baek	D23/377
D835,251	S *	12/2018	Baek	D23/377
D842,447	S *	3/2019	Hornig	D23/377
D849,225	S	5/2019	Schulzman	
D850,602	S *	6/2019	Flores	D26/59
D855,788	S *	8/2019	Haggar	D23/377
D857,874	S *	8/2019	Hidalgo	D26/59
D858,735	S *	9/2019	Wang	D23/377
D861,849	S *	10/2019	Hidalgo	D23/377
D865,936	S *	11/2019	Lee	D23/377
D879,282	S *	3/2020	Noble	D23/377
D880,677	S *	4/2020	Gajewski	D23/377
D884,144	S *	5/2020	Indio da Costa	D23/377
D890,909	S *	7/2020	Streng	D23/377
D907,756	S *	1/2021	Birchler	D23/377
D937,404	S *	11/2021	Streng	D23/413
D940,293	S *	1/2022	Yao	D23/377
D940,847	S *	1/2022	Wang	D23/377
D946,740	S *	3/2022	Holmes Bradley	D23/377
D947,354	S *	3/2022	Quan	D23/377
D969,296	S *	11/2022	Williams	D23/377
D969,300	S *	11/2022	Pan	D23/377
2015/0110625	A1	4/2015	De Siqueira Indio Da Costa	
2021/0388844	A1 *	12/2021	Rhoades	F21V 33/0096

## OTHER PUBLICATIONS

Aeratron AE3, distributed by MacroAir, [online], [retrieved on May 19, 2017]. Retrieved from Internet, <URL: <http://aeratronfans.com/shop/ae3>>.

Aeratron AE2, distributed by MacroAir, [online], [retrieved on May 19, 2017]. Retrieved from Internet, <URL: <http://aeratronfans.com/shop/ae2>>.

MinkaAire Wing, [online], [retrieved on May 19, 2017]. Retrieved from Internet, <URL: <http://www.minkagroup.net/minka-aire/products>>.

MinkaAire Wave, [online], [retrieved on May 19, 2017]. Retrieved from Internet, <URL: <http://www.minkagroup.net/minka-aire/products>>.

MinkaAire Force, [online], [retrieved on May 19, 2017]. Retrieved from Internet, <URL: <http://www.minkagroup.net/minka-aire/products>>.

MinkaAire Aviation, [online], [retrieved on May 19, 2017]. Retrieved from Internet, <URL: <http://www.minkagroup.net/minka-aire/products>>.

MinkaAire Pancake, [online], [retrieved on May 19, 2017]. Retrieved from Internet, <URL: <http://www.minkagroup.net/minka-aire/products>>.

MinkaAire Artemis, [online], [retrieved on May 19, 2017]. Retrieved from Internet, <URL: <http://www.minkagroup.net/minka-aire/products>>.

Possini Abstract, distributed by Lamps Plus, [online], [retrieved on May 19, 2017]. Retrieved from Internet, <URL: [http://www.lampsplus.com/products/56-inch-abstract-brushed-nickel-ceiling-fan\\_8y358.html](http://www.lampsplus.com/products/56-inch-abstract-brushed-nickel-ceiling-fan_8y358.html)>.

Possini Ozone, distributed by Lamps Plus, [online], [retrieved on May 19, 2017]. Retrieved from Internet, <URL: [http://www.lampsplus.com/products/60-inch-ozone-led-brushed-nickel-ceiling-fan-8-inch-extension\\_6c046-6c066-82303.html](http://www.lampsplus.com/products/60-inch-ozone-led-brushed-nickel-ceiling-fan-8-inch-extension_6c046-6c066-82303.html)>.

Monte Carlo Fans Lily, [online], [retrieved on May 19, 2017]. Retrieved from Internet, <URL: <http://www.montecarlofans.com/fa2533-pg1/Lily-Collection.htm>>.

TroposAir Vogue, [online], [retrieved on May 19, 2017]. Retrieved from Internet, <URL: <http://dansceilingfans.com/content/troposair-vogue-60-oil-rubbed-bronze-dc-motor-ceiling-fan-remote>>.

Craftmade Vogue, [online], [retrieved on May 19, 2017]. Retrieved from Internet, <URL: <http://www.craftmade.com/vogue-vg54ti2>>.

BigAssSolutions Haiku, [online], [retrieved on May 19, 2017]. Retrieved from Internet, <URL: <https://www.haikuhome.com/learn-more-haiku-fans>>.

\* cited by examiner

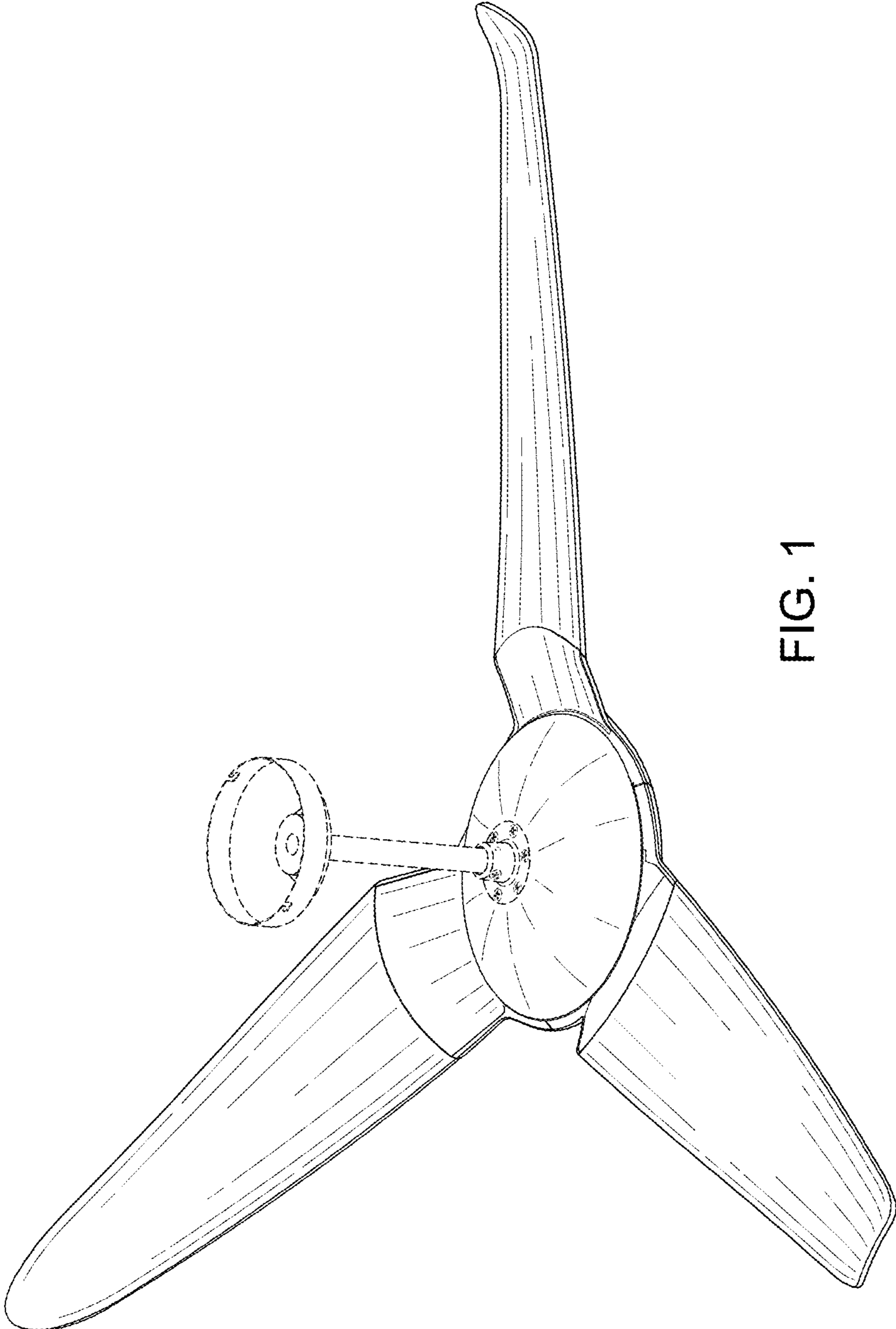


FIG. 1

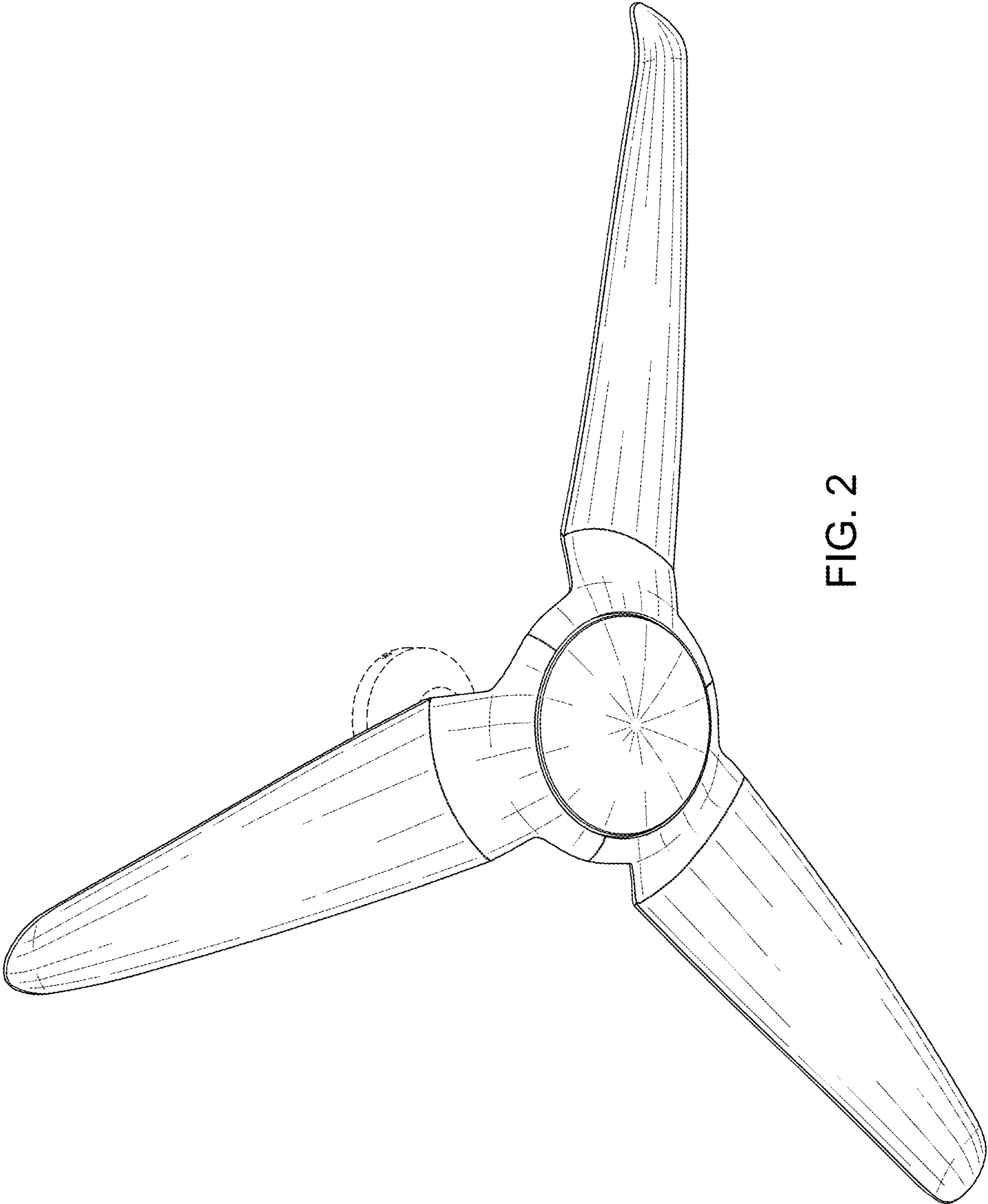


FIG. 2

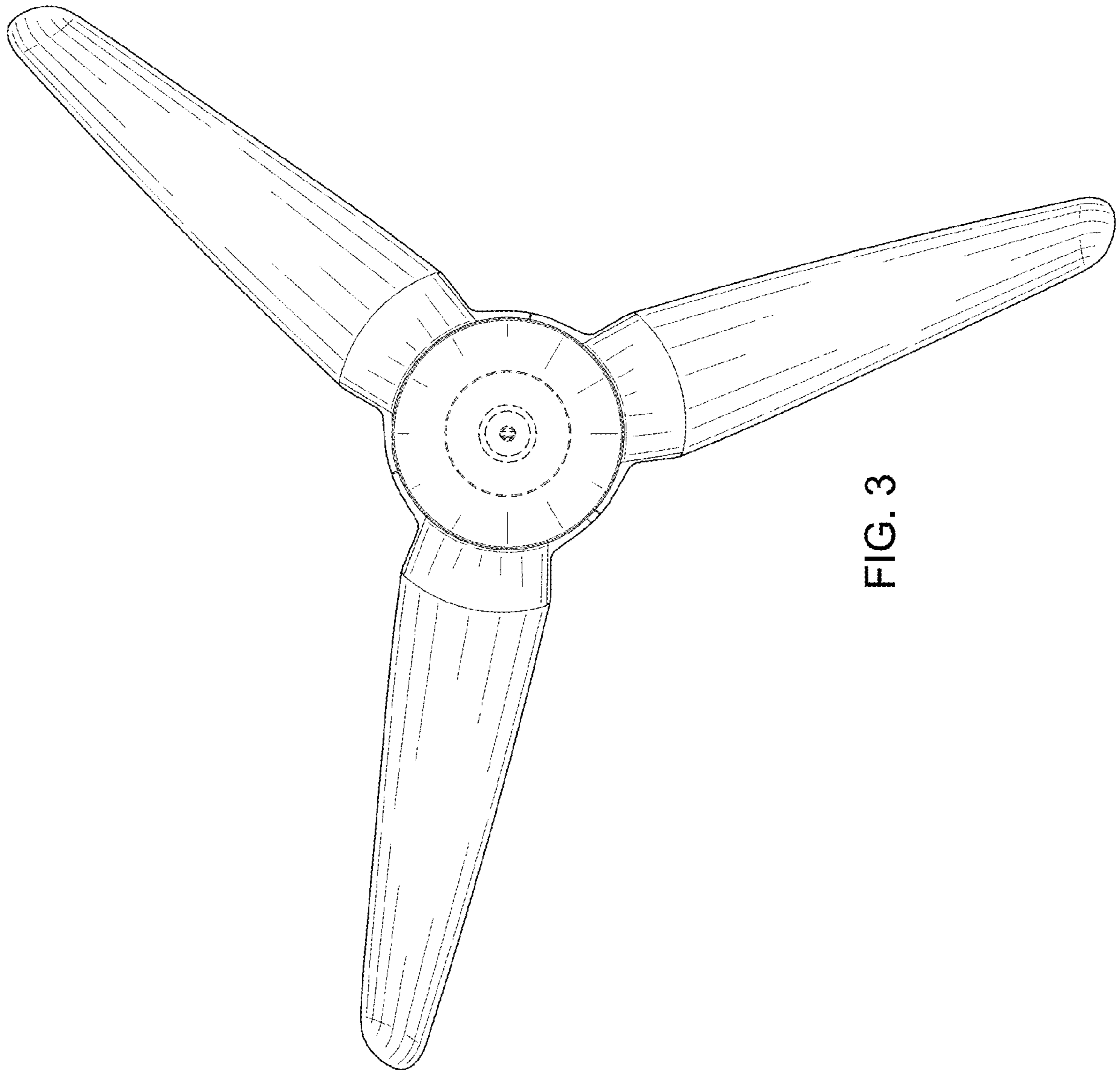


FIG. 3

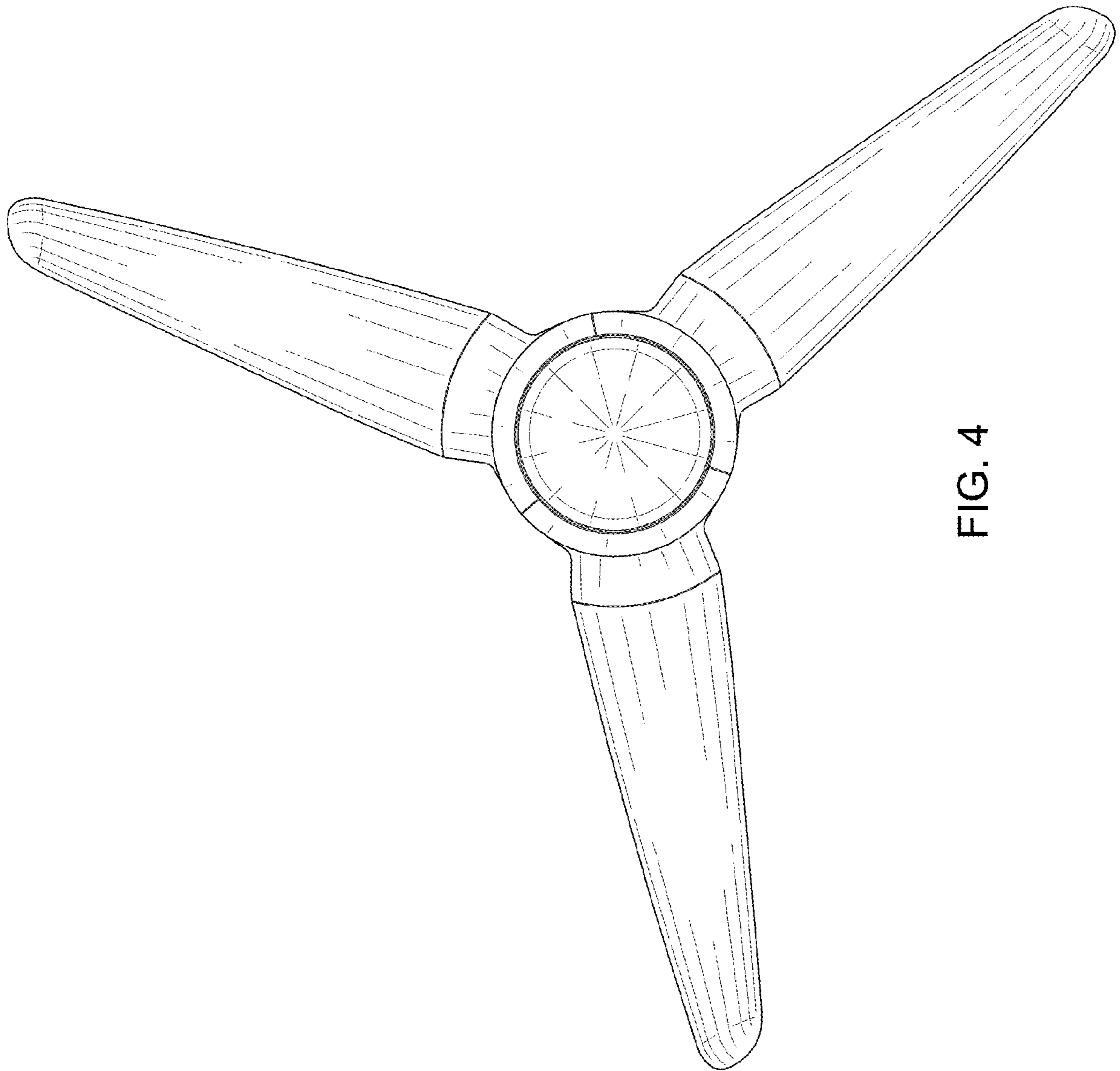


FIG. 4

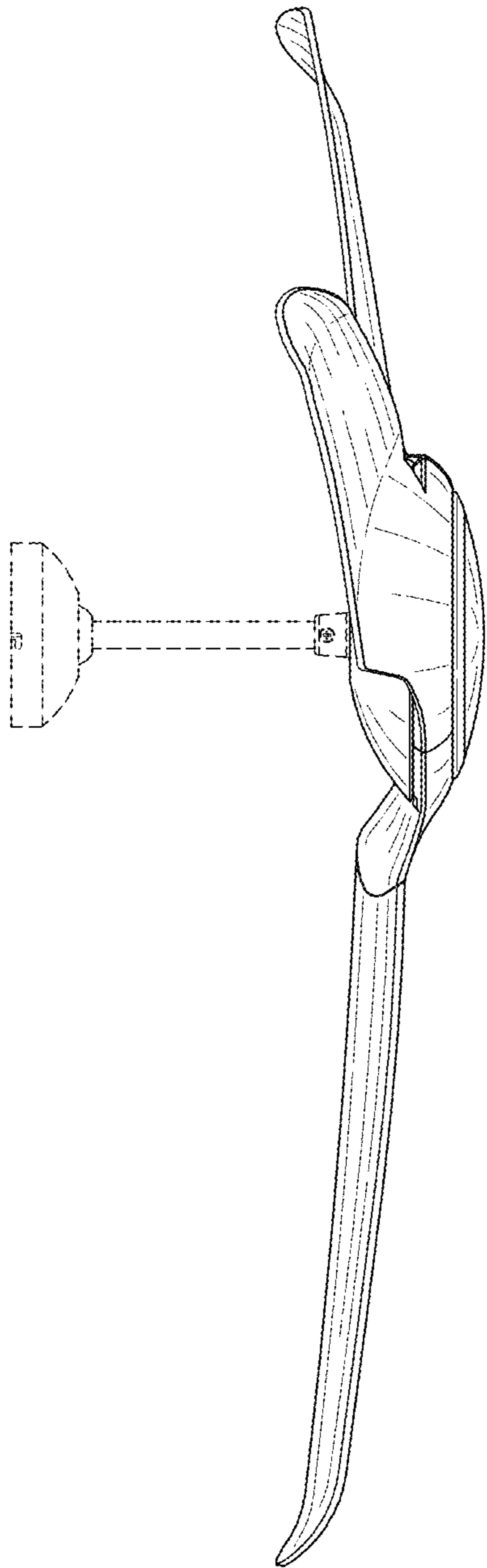


FIG. 5

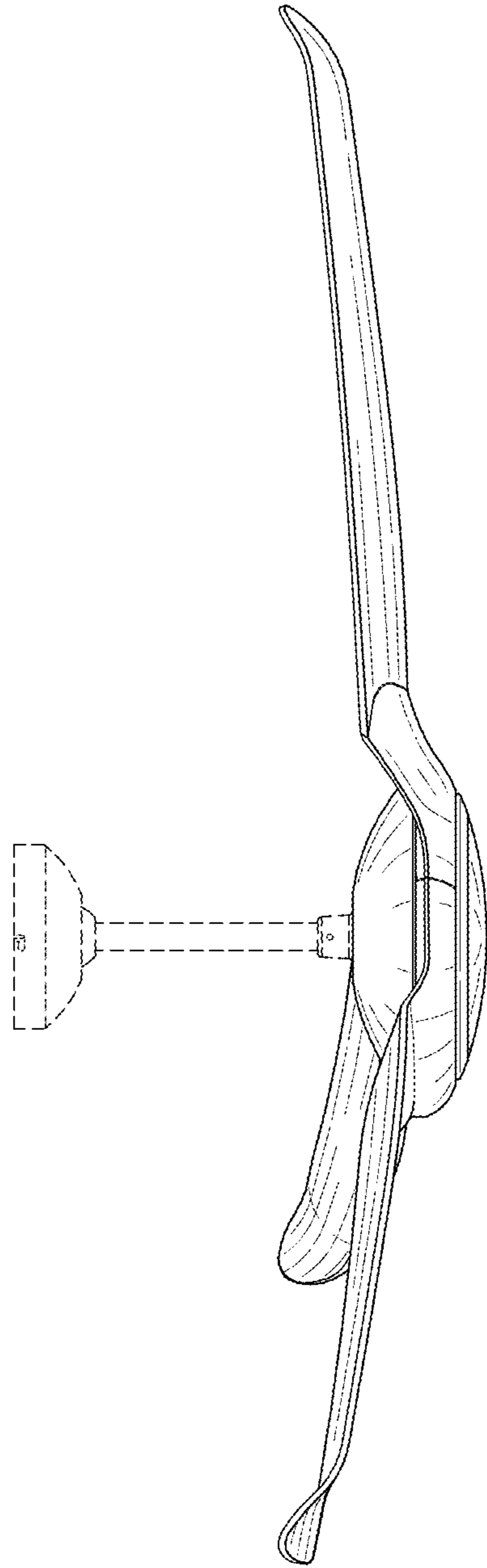


FIG. 6

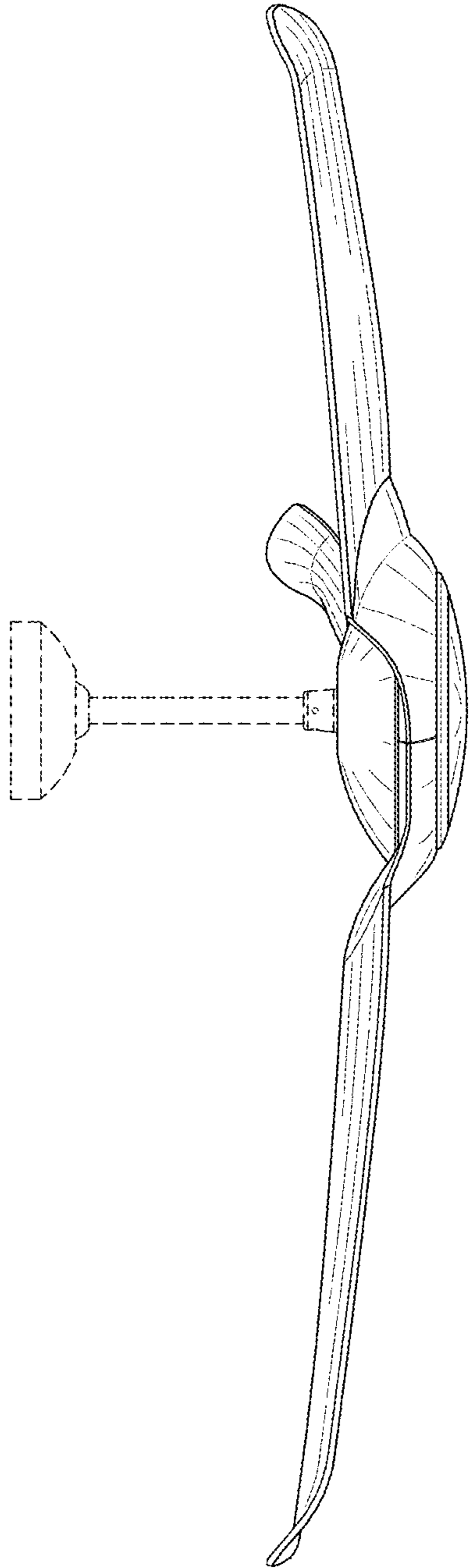


FIG. 7

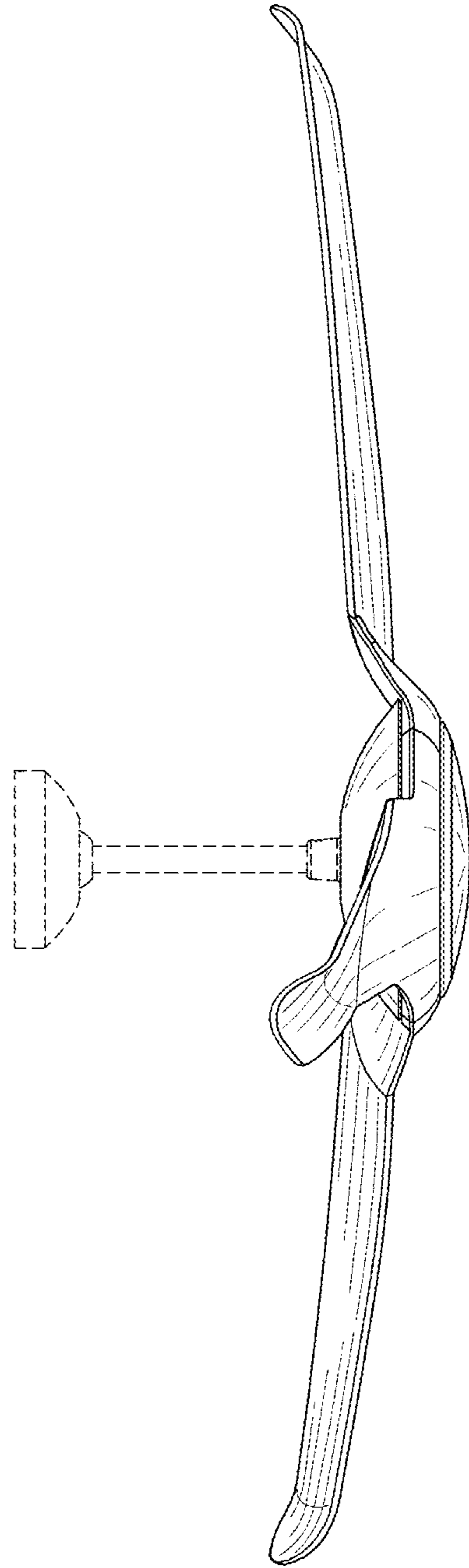


FIG. 8



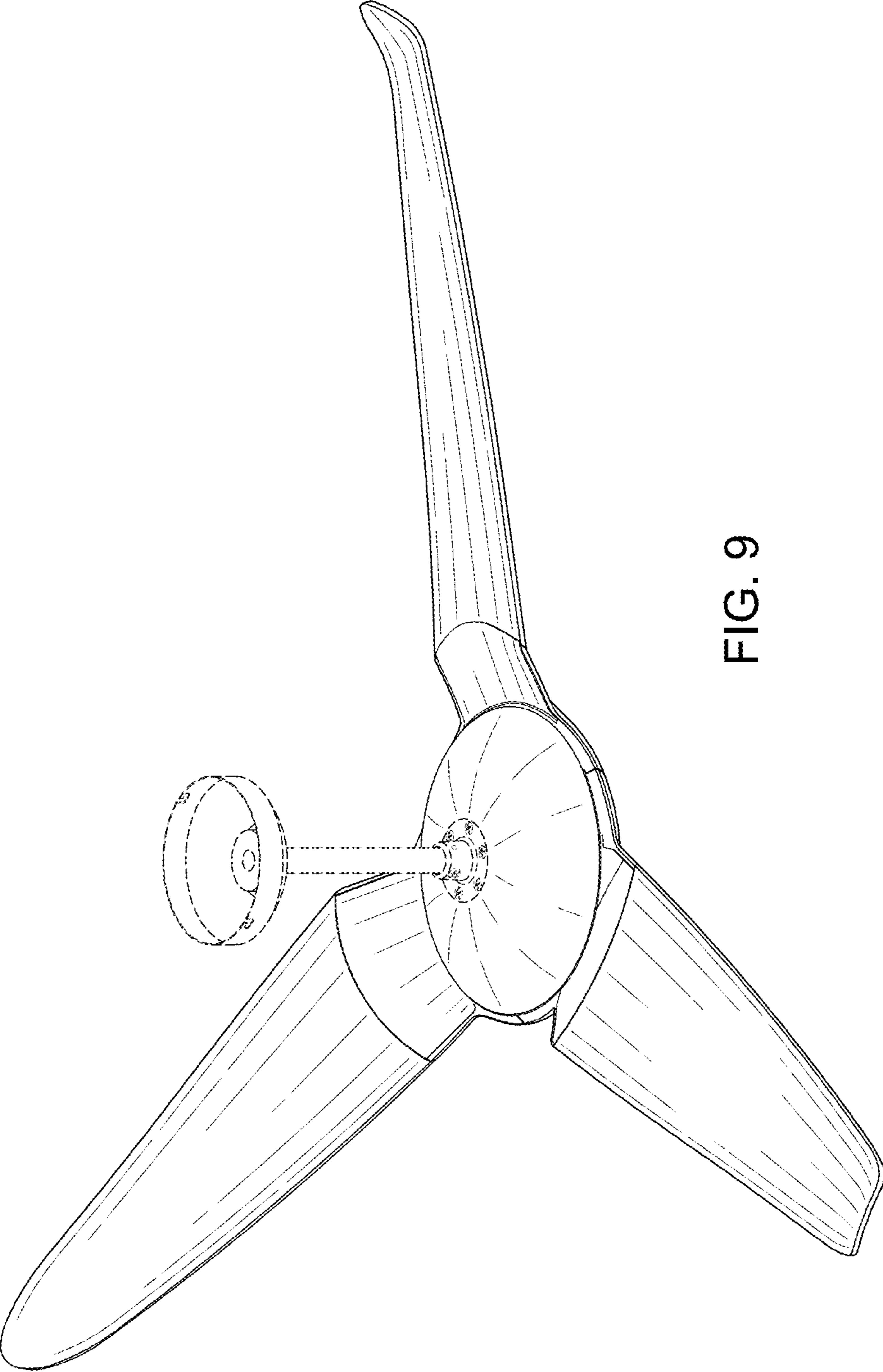


FIG. 9

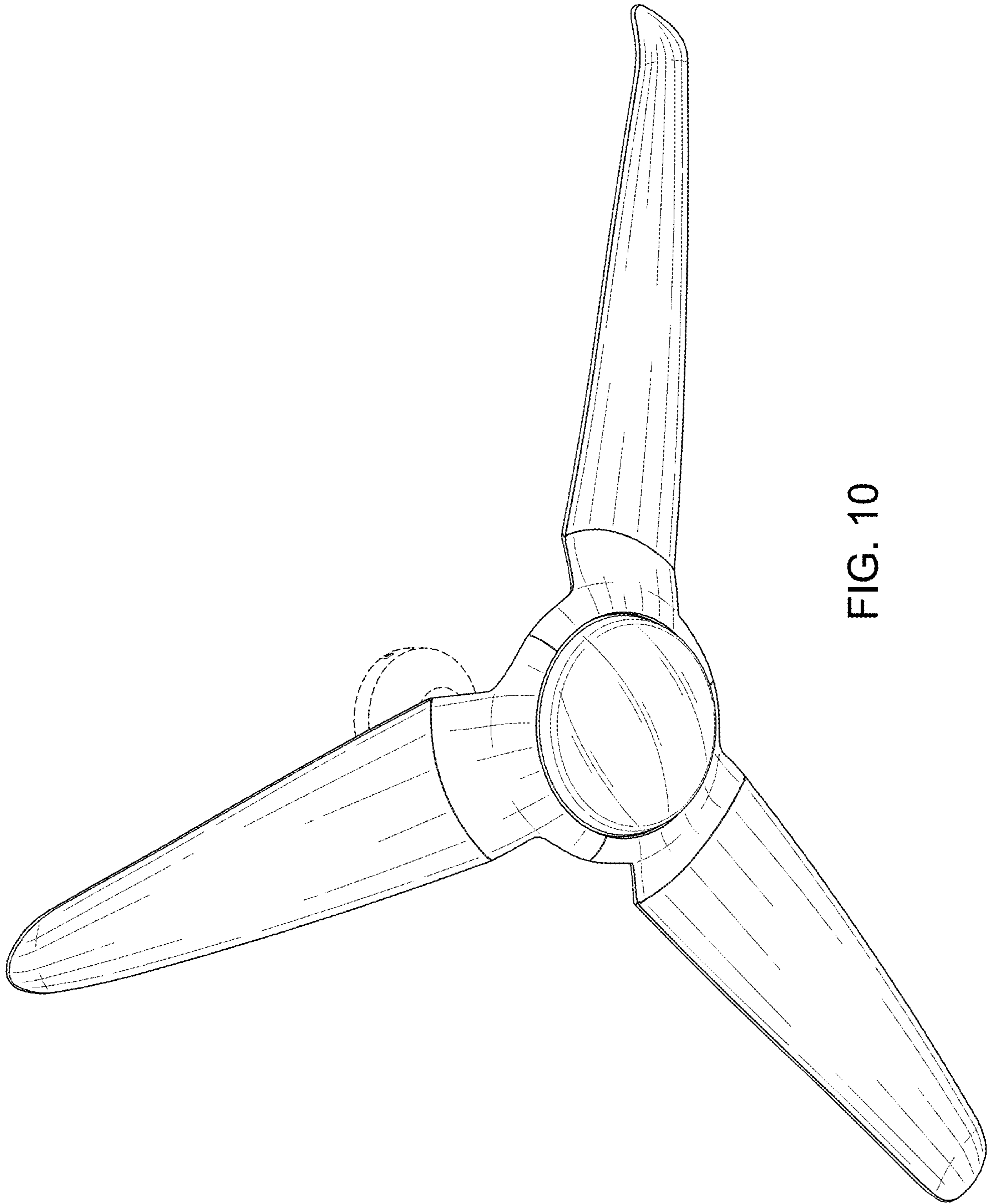


FIG. 10

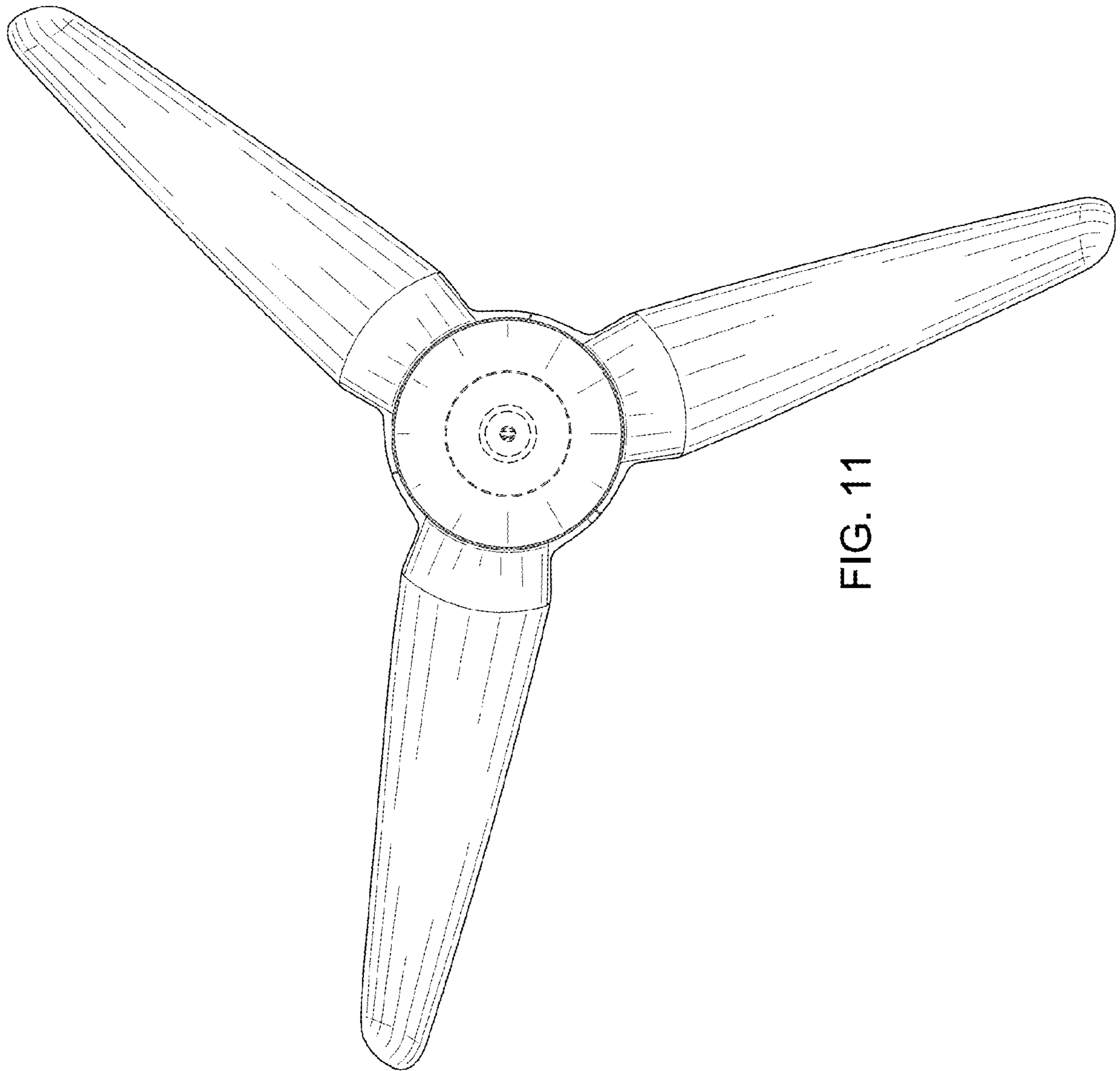


FIG. 11

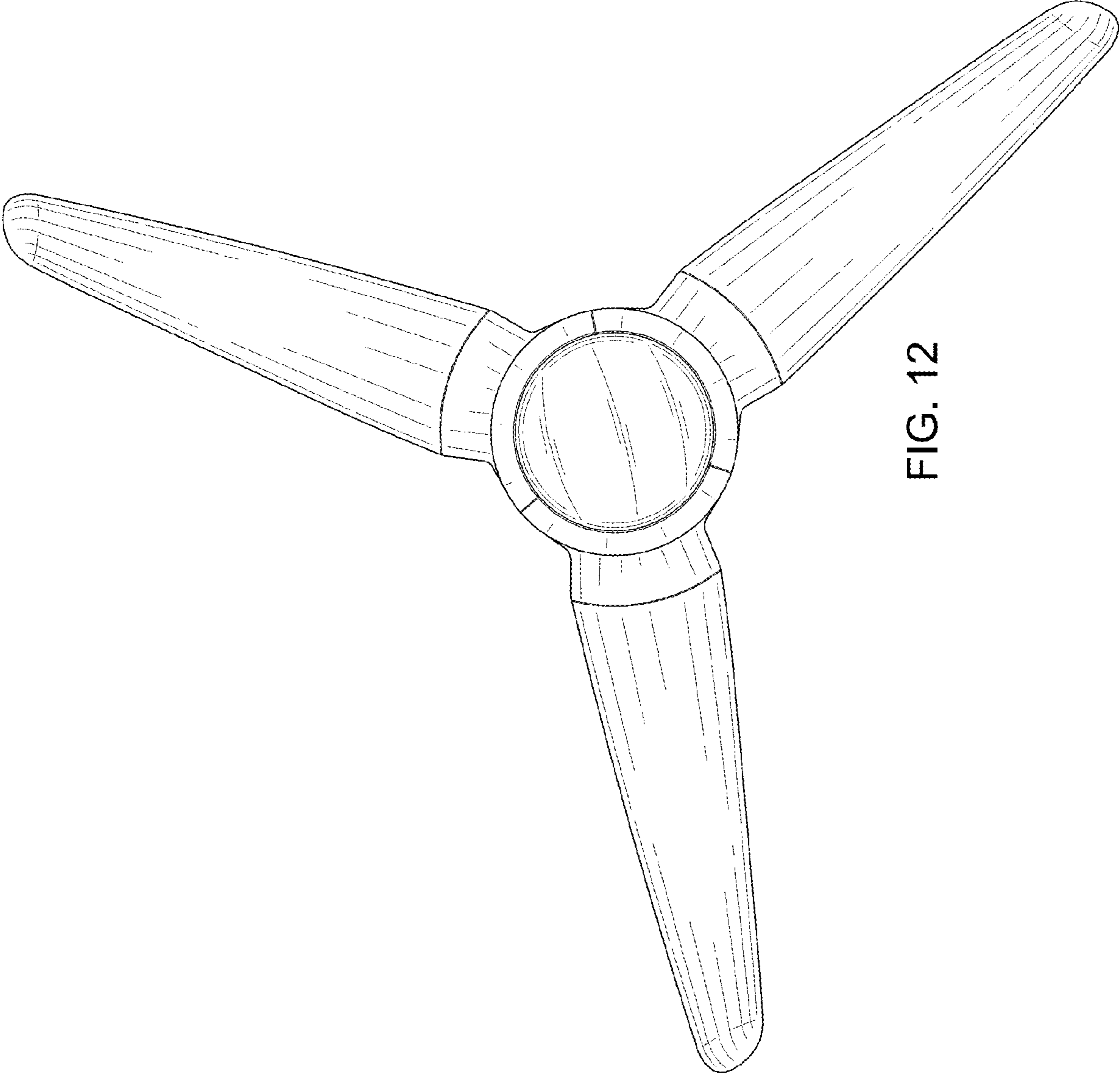


FIG. 12

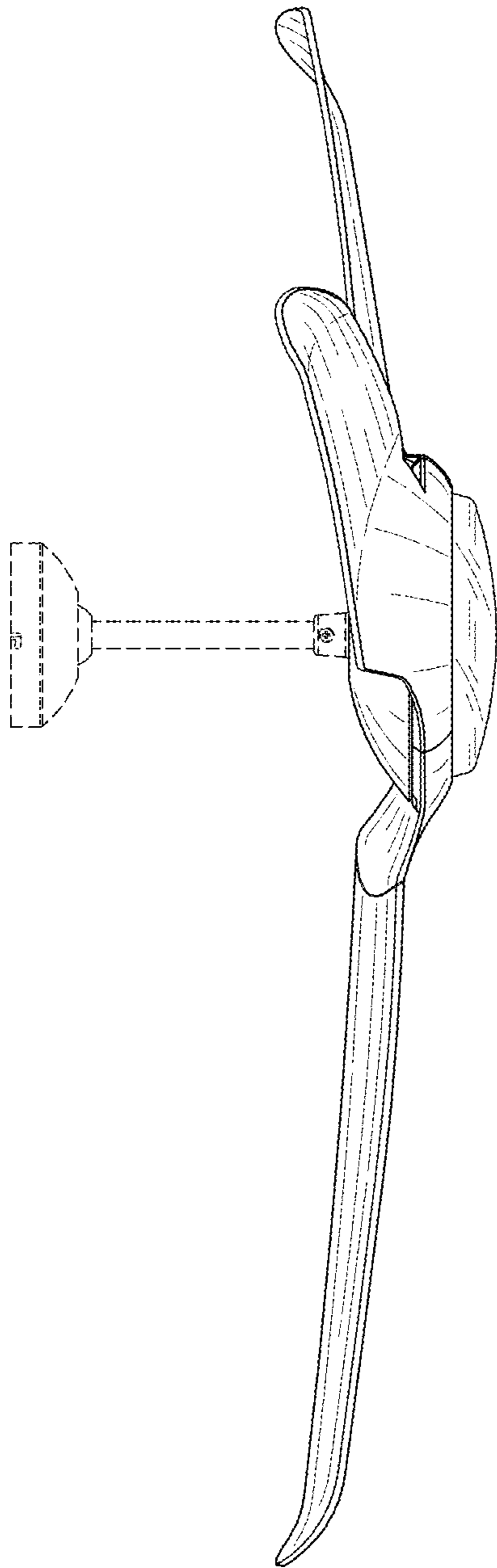


FIG. 13

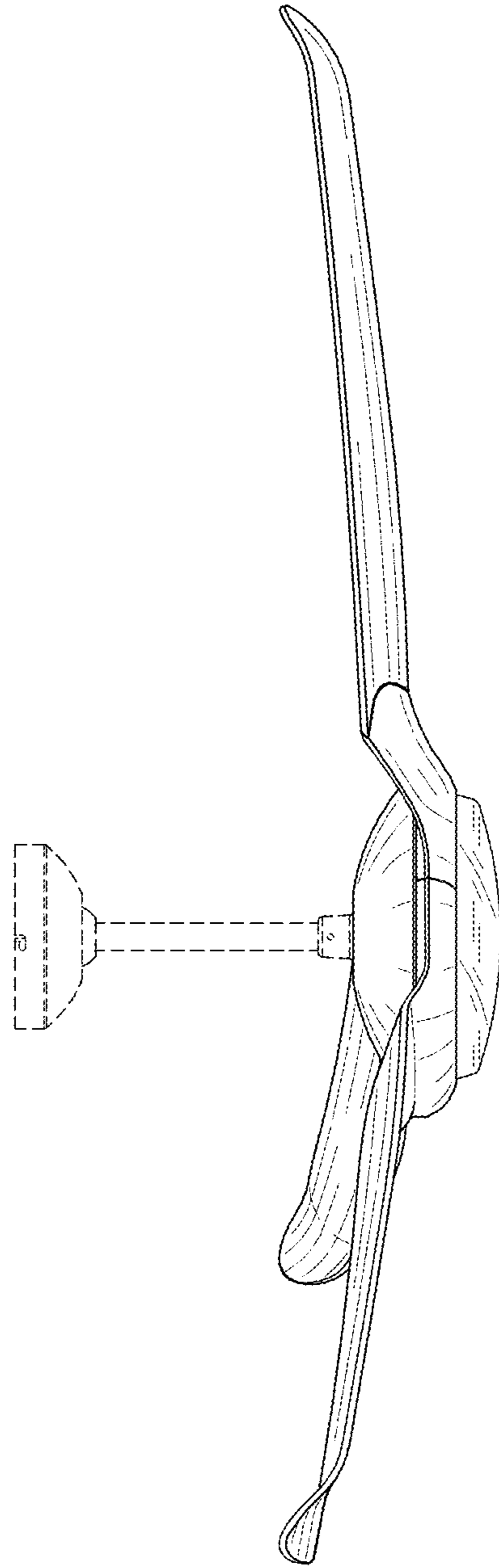


FIG. 14

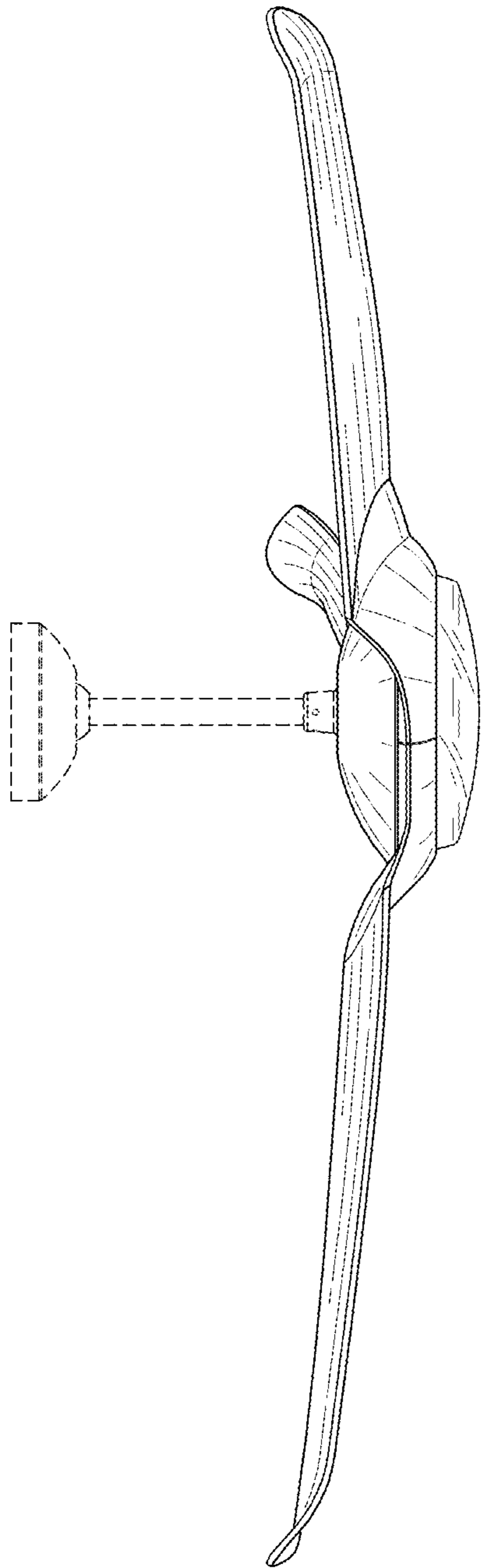


FIG. 15

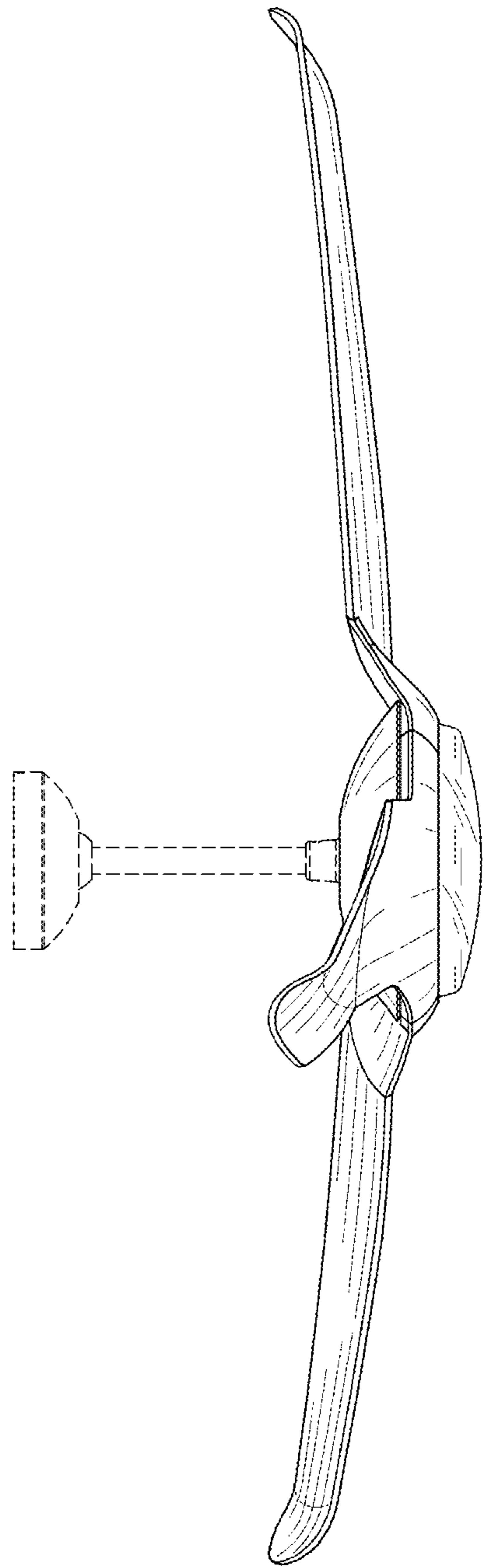


FIG. 16