



US00D979038S

(12) **United States Design Patent**
Shave et al.

(10) **Patent No.:** **US D979,038 S**

(45) **Date of Patent:** **** Feb. 21, 2023**

- (54) **FAN**
- (71) Applicant: **The Yankee Candle Company, Inc.**,
South Deerfield, MA (US)
- (72) Inventors: **Robert Earle Shave**, Brockton, MA
(US); **James A. Layer**, Amherst, MA
(US); **Alfredo David Carreno**, Portage,
MI (US)
- (73) Assignee: **The Yankee Candle Company, Inc.**,
South Deerfield, MA (US)
- (**) Term: **15 Years**
- (21) Appl. No.: **29/707,207**
- (22) Filed: **Sep. 26, 2019**
- (51) **LOC (14) Cl.** **23-04**
- (52) **U.S. Cl.**
USPC **D23/370; D23/366**
- (58) **Field of Classification Search**
USPC **D23/208, 360-362, 366-369, 370,**
D23/381-383, 386
CPC **A61L 9/02; A61L 9/03; A61L 9/12; A61L**
9/035; A61L 9/125
See application file for complete search history.

(56) **References Cited**
U.S. PATENT DOCUMENTS

D451,991 S *	12/2001	Israel	D23/377
D468,627 S *	1/2003	Dampney	D23/369
D473,638 S *	4/2003	Cruver, IV	D23/366
D485,340 S *	1/2004	Wu	D23/366
D507,636 S *	7/2005	Baraky	D23/366
D516,692 S *	3/2006	Caserta	D23/366
D535,377 S *	1/2007	Caserta	D23/366
D551,750 S *	9/2007	Wefler	D23/366

D659,818 S *	5/2012	Belongia	D23/366
D661,790 S *	6/2012	Majerowski	D23/366
D686,718 S *	7/2013	Gordon	D23/366
D694,383 S *	11/2013	Grzybowski	D23/370
D700,694 S *	3/2014	Sordo	D23/366
D700,959 S *	3/2014	Sickinger	D23/355
D829,876 S *	10/2018	Arinsmier	D23/366
D831,813 S *	10/2018	Davis	D23/366
D834,168 S *	11/2018	Davis	D23/366
D843,556 S *	3/2019	Robinson	D23/366
D846,725 S *	4/2019	Meeker	D23/366
D875,230 S *	2/2020	Gobber	D23/366
D879,277 S *	3/2020	Sanders	D23/366
D899,574 S *	10/2020	Arinsmier	D23/366
D905,221 S *	12/2020	Gobber	D23/366
D926,302 S *	7/2021	Lee	D23/364
2010/0243754 A1 *	9/2010	Harris	A01M 1/2033 239/34
2021/0213471 A1 *	7/2021	Richard	B05B 11/0005

* cited by examiner

Primary Examiner — Sharon S Oum

(74) *Attorney, Agent, or Firm* — Husch Blackwell LLP

(57) **CLAIM**

We claim the ornamental design for a fan, as shown and described.

DESCRIPTION

FIG. 1 is a perspective view of a fan;
FIG. 2 is a front elevation view of the fan;
FIG. 3 is a left elevation view of the fan;
FIG. 4 is a right elevation view of the fan;
FIG. 5 is a top plan view of the fan;
FIG. 6 is a bottom plan view of the fan; and,
FIG. 7 is a rear elevation view of the fan.
Broken lines shown in the drawing views illustrate portions of the fan, and form no part of the claimed design.

1 Claim, 7 Drawing Sheets

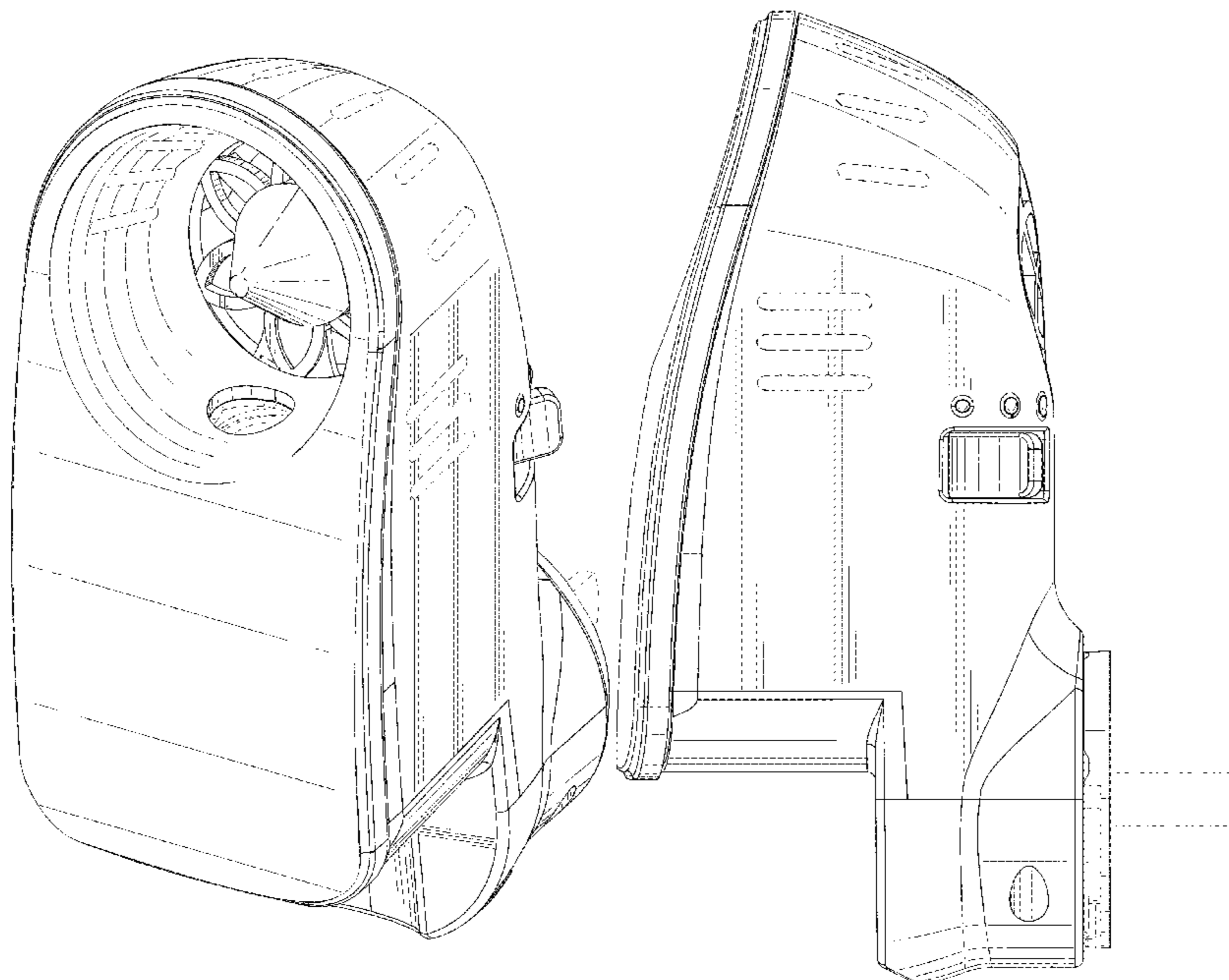


FIG 1

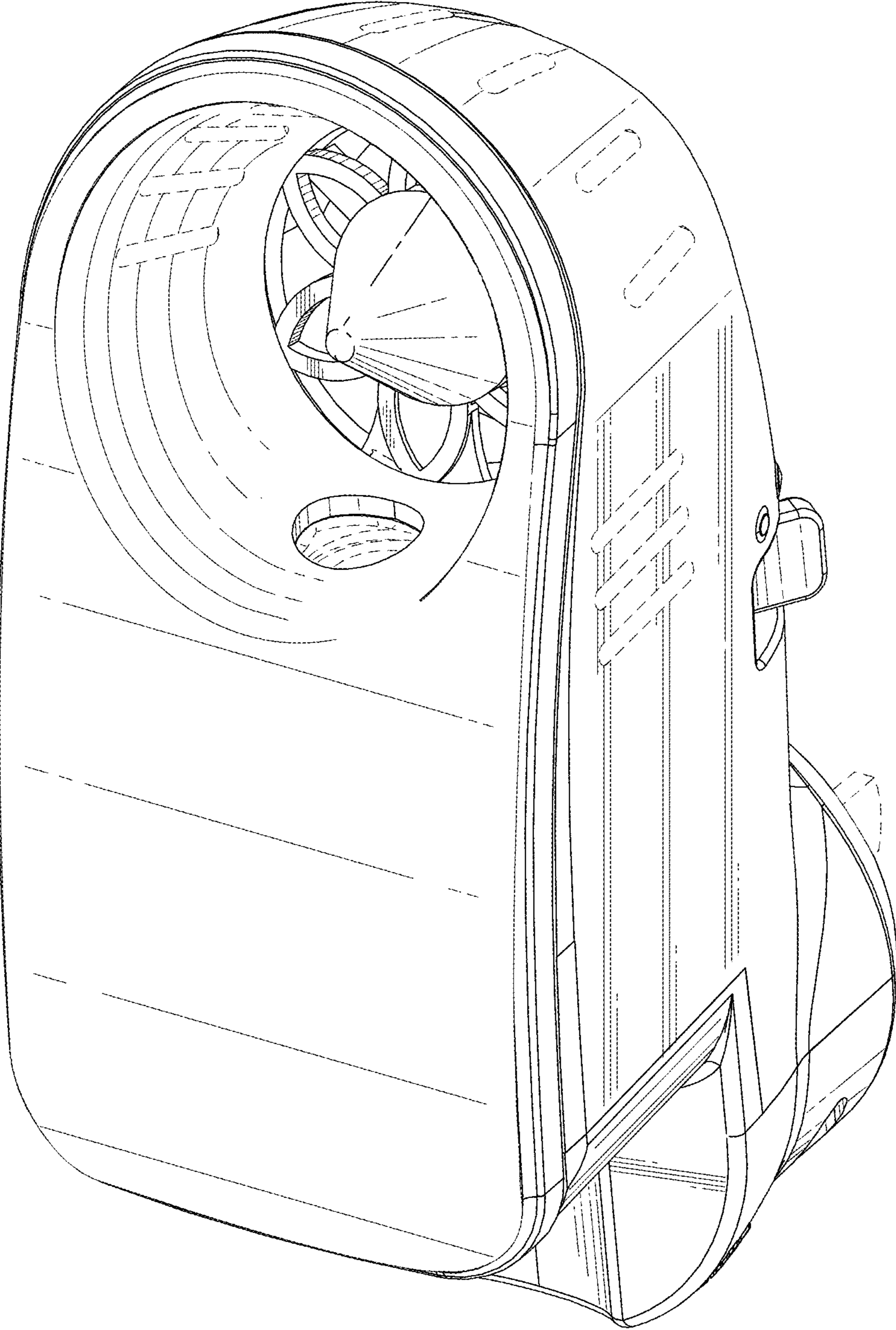


FIG. 2

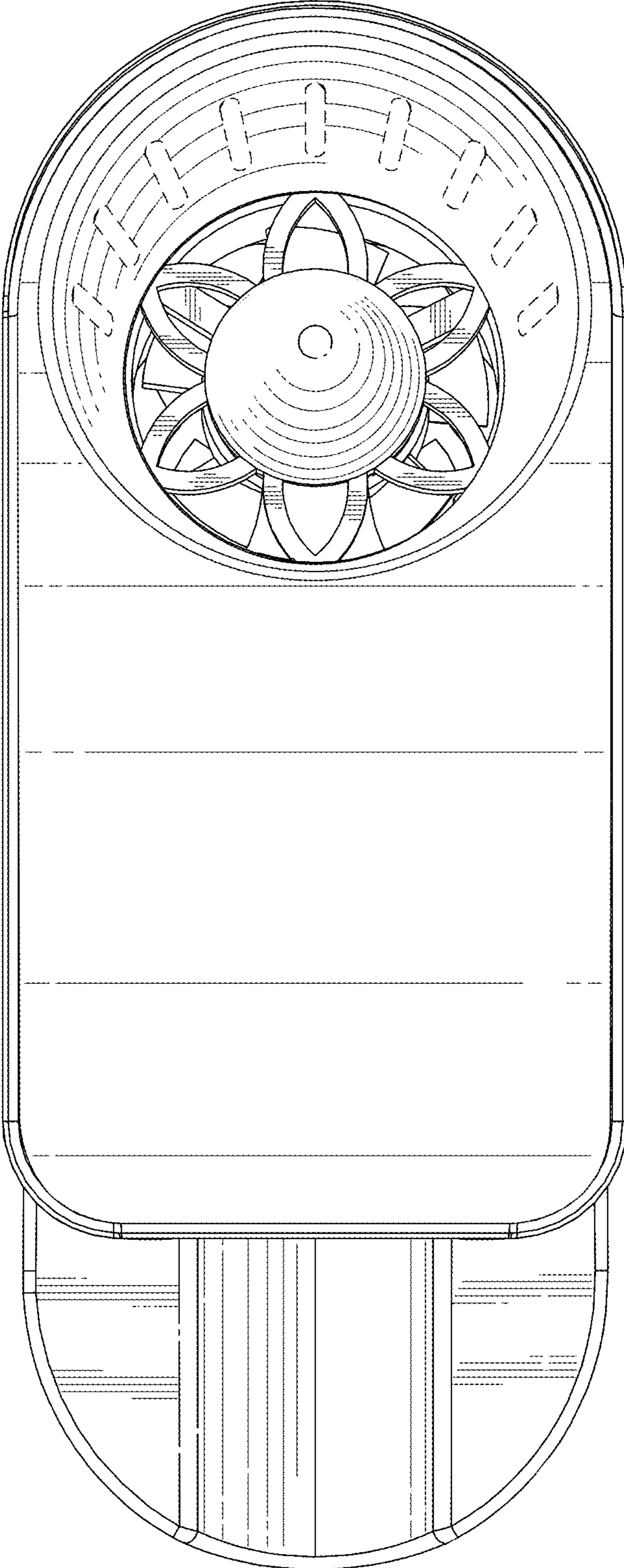


FIG. 3

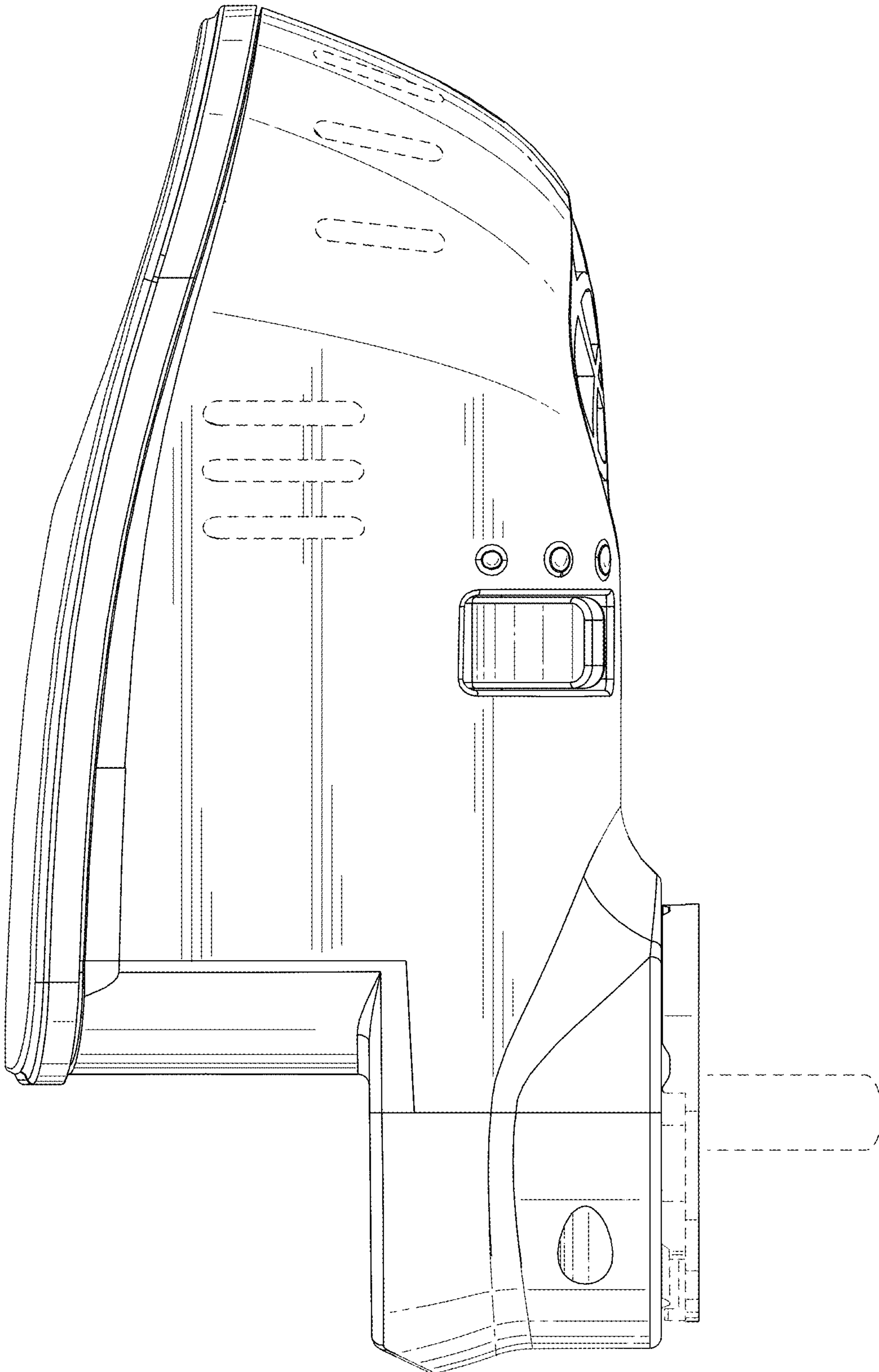


FIG. 4

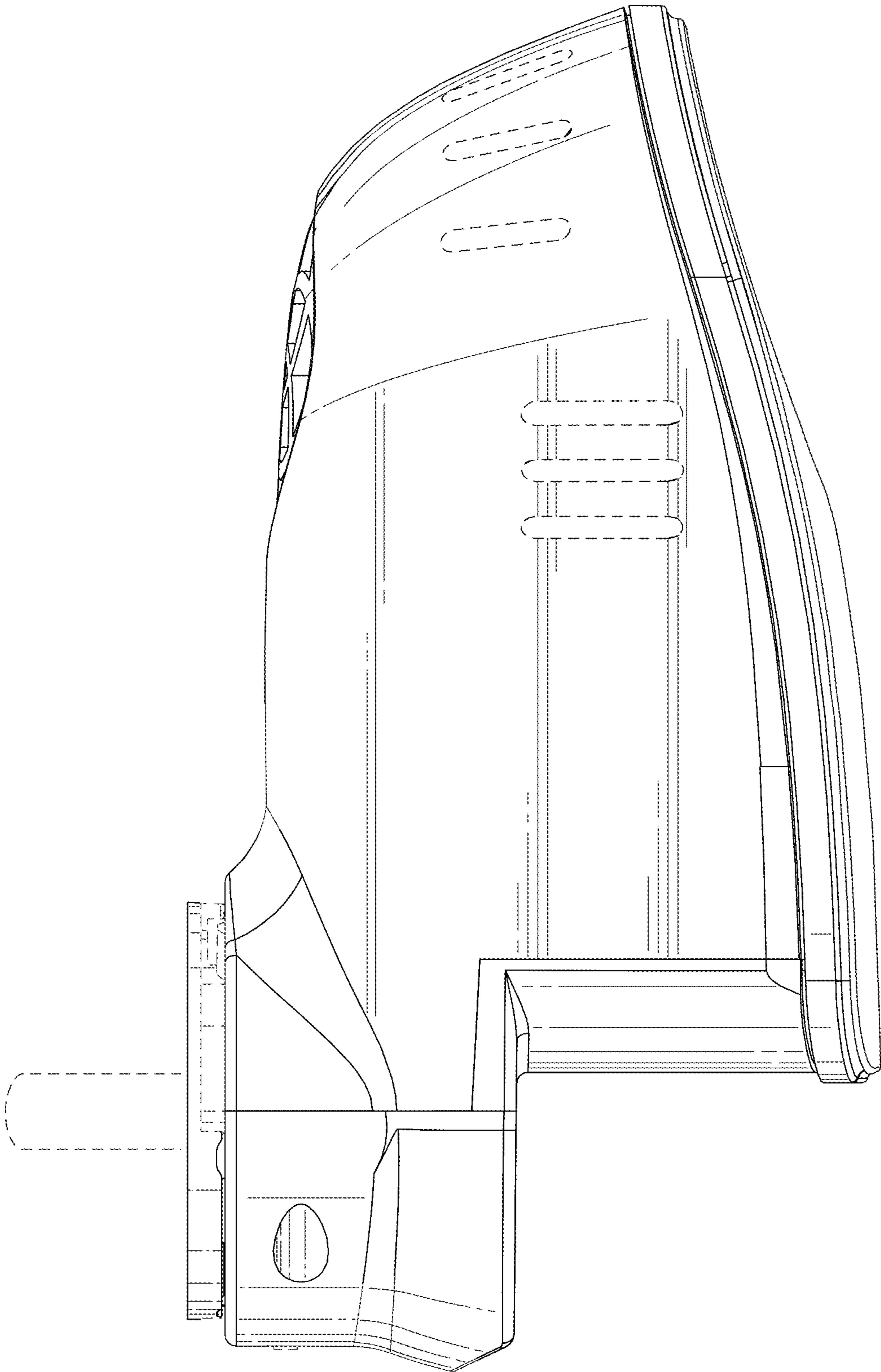


FIG. 5

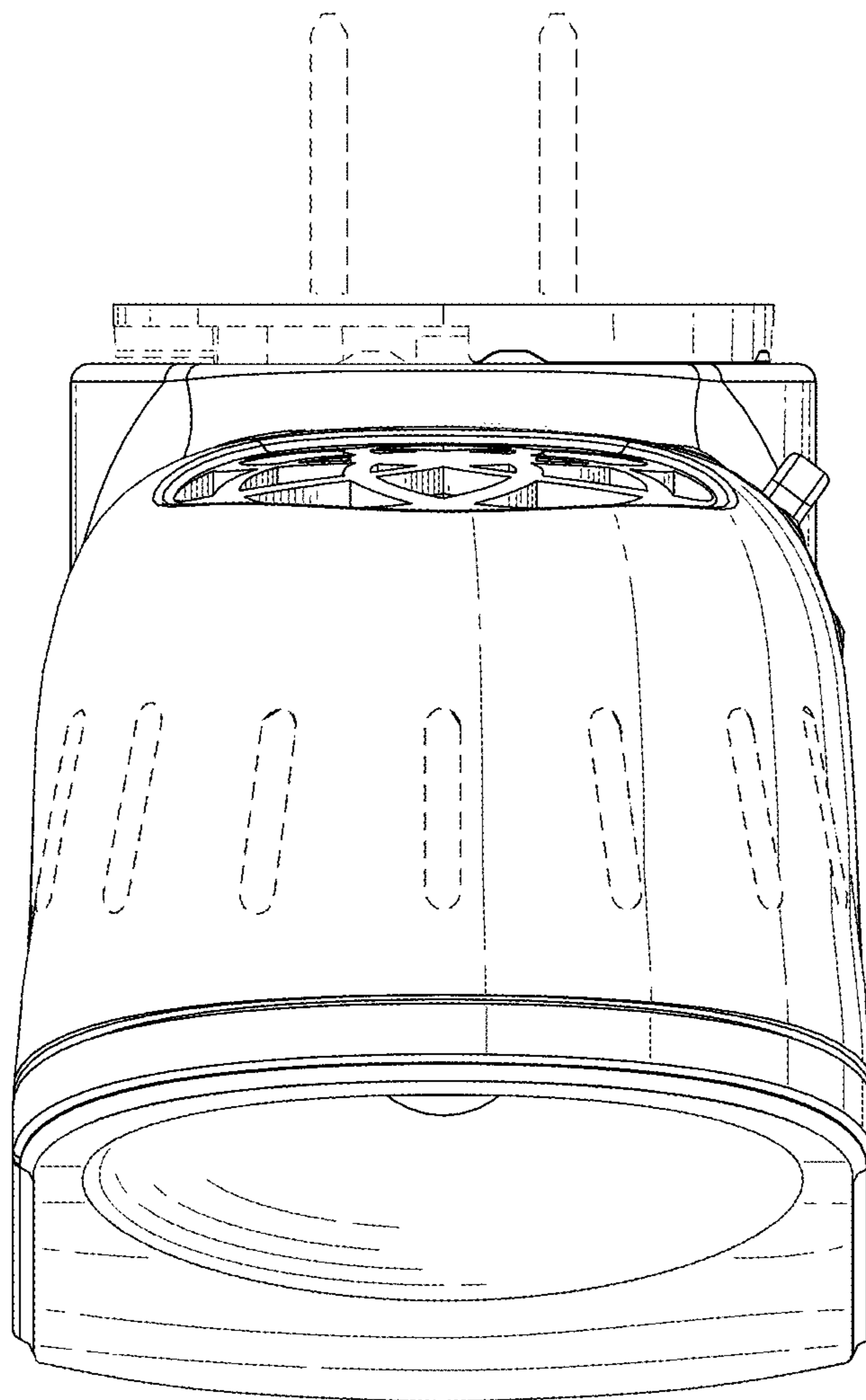


FIG. 6

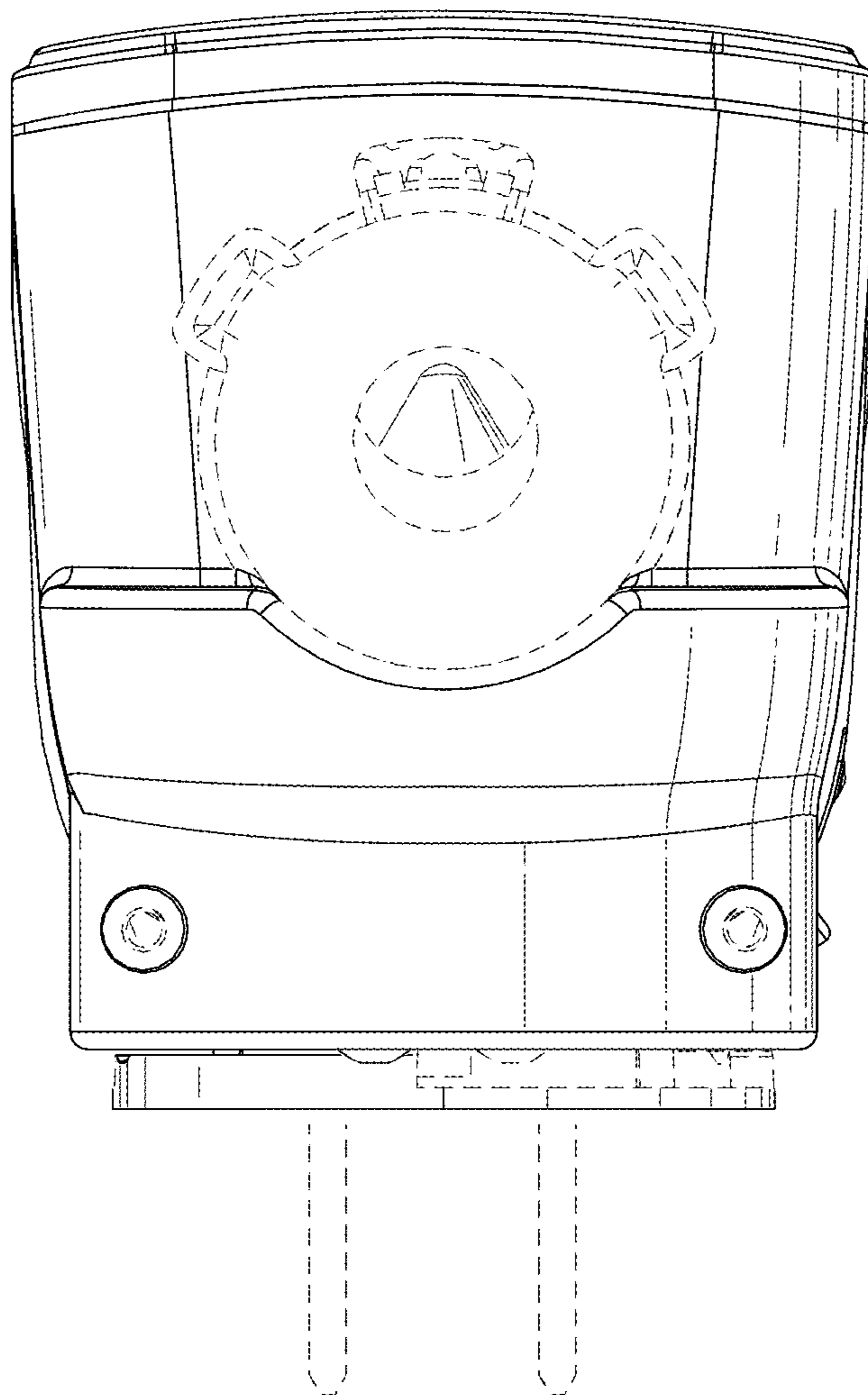


FIG. 7

