



US00D979032S

(12) **United States Design Patent**
Campbell et al.

(10) **Patent No.:** **US D979,032 S**
(45) **Date of Patent:** **** Feb. 21, 2023**

(54) **AIR FILTRATION MODULE**

(71) Applicant: **DSS PureAir, Inc.**, West Henrietta, NY (US)

(72) Inventors: **Neil J. Campbell**, Woodbine, MD (US); **Iyam Lynch**, Winston-Salem, NC (US); **Michelle Campbell**, Pittsburgh, PA (US)

(73) Assignee: **DSS, Inc.**, West Henrietta, NY (US)

(**) Term: **15 Years**

(21) Appl. No.: **29/856,707**

(22) Filed: **Oct. 17, 2022**

Related U.S. Application Data

(62) Division of application No. 29/737,150, filed on Jun. 5, 2020, now Pat. No. Des. 967,382.

(51) **LOC (14) Cl.** **23-04**

(52) **U.S. Cl.**
USPC **D23/365**

(58) **Field of Classification Search**
USPC D23/209, 210, 259, 260, 261, 262, 267, D23/268, 309, 311, 351-367, 386, 387, D23/388, 397, 412; D25/68, 69, 112; D8/354; D24/162
CPC E04D 13/08; E04D 13/064; E04D 13/076; E04D 13/0646; E04D 13/0725; E04B 2/78; E04C 2/38; E04F 11/032; E04F 11/038; E04F 2011/0209; E03D 11/13; E03D 11/16; E03D 11/17; E03D 11/135; E03D 11/143; A47K 13/24; A01M 31/02; A01M 31/025; E04H 4/1218; A61L 9/00; A61L 9/02; A61L 9/012; A61L 9/03; A61L 9/032; A61L 9/035; A61L 9/037; A61L 9/04; A61L 9/12; A61L 9/122; A61L 2209/16; B01D 35/28; B01D 35/30; B01D 46/0002; B01D 46/0005; B01D 46/0006; B01D 46/0008; B01D

46/0009; B01D 46/0013; B01D 46/0015; B01D 46/10; B01D 46/12; B01D 46/2422; B01D 46/4236; B01D 46/521; B01D 2267/60; F24F 3/00; F24F 3/12; F24F 3/14; F24F 3/16

See application file for complete search history.

(56) **References Cited**

U.S. PATENT DOCUMENTS

5,853,445	A *	12/1998	Wong	B01D 46/10
					55/502
D754,315	S *	4/2016	Morin	D23/365
D809,115	S *	1/2018	Morin	D23/365
10,870,076	B1 *	12/2020	Lynch	B01D 46/0008
10,926,209	B1 *	2/2021	Lynch	B01D 46/0013
11,103,821	B1 *	8/2021	Campbell	B01D 46/0013
D947,347	S *	3/2022	Lim	D23/365

(Continued)

Primary Examiner — Gino Colan

Assistant Examiner — David OBrien

(74) *Attorney, Agent, or Firm* — Remenick PLLC

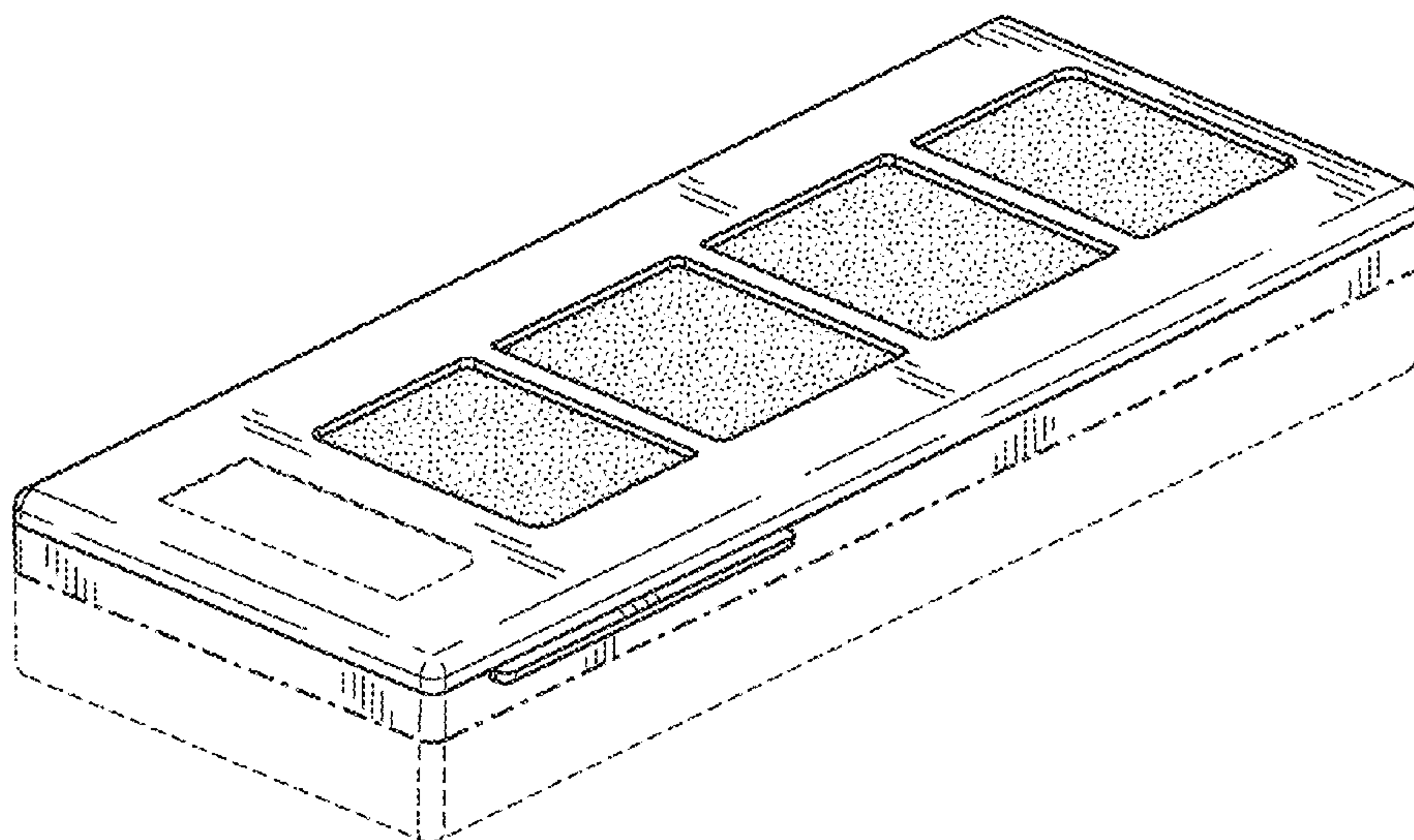
(57) **CLAIM**

The ornamental design for an air filtration module, as shown and described.

DESCRIPTION

FIG. 1 is an upper perspective view of an embodiment of an air filtration module;
FIG. 2 is a bottom perspective view thereof;
FIG. 3 is a top view thereof;
FIG. 4 is a bottom view thereof;
FIG. 5 is a right side view thereof;
FIG. 6 is a left side view thereof;
FIG. 7 is a front view thereof; and,
FIG. 8 is a rear view thereof.
The broken lines shown in the figures are for the purpose of illustrating portions of the air filtration module and form no part of the claimed design.

1 Claim, 3 Drawing Sheets



(56)

References Cited

U.S. PATENT DOCUMENTS

D967,380 S * 10/2022 Campbell D23/365
D967,381 S * 10/2022 Campbell D23/365
D967,382 S * 10/2022 Campbell D23/365
2010/0126129 A1* 5/2010 Kim B01D 46/10
55/494

* cited by examiner

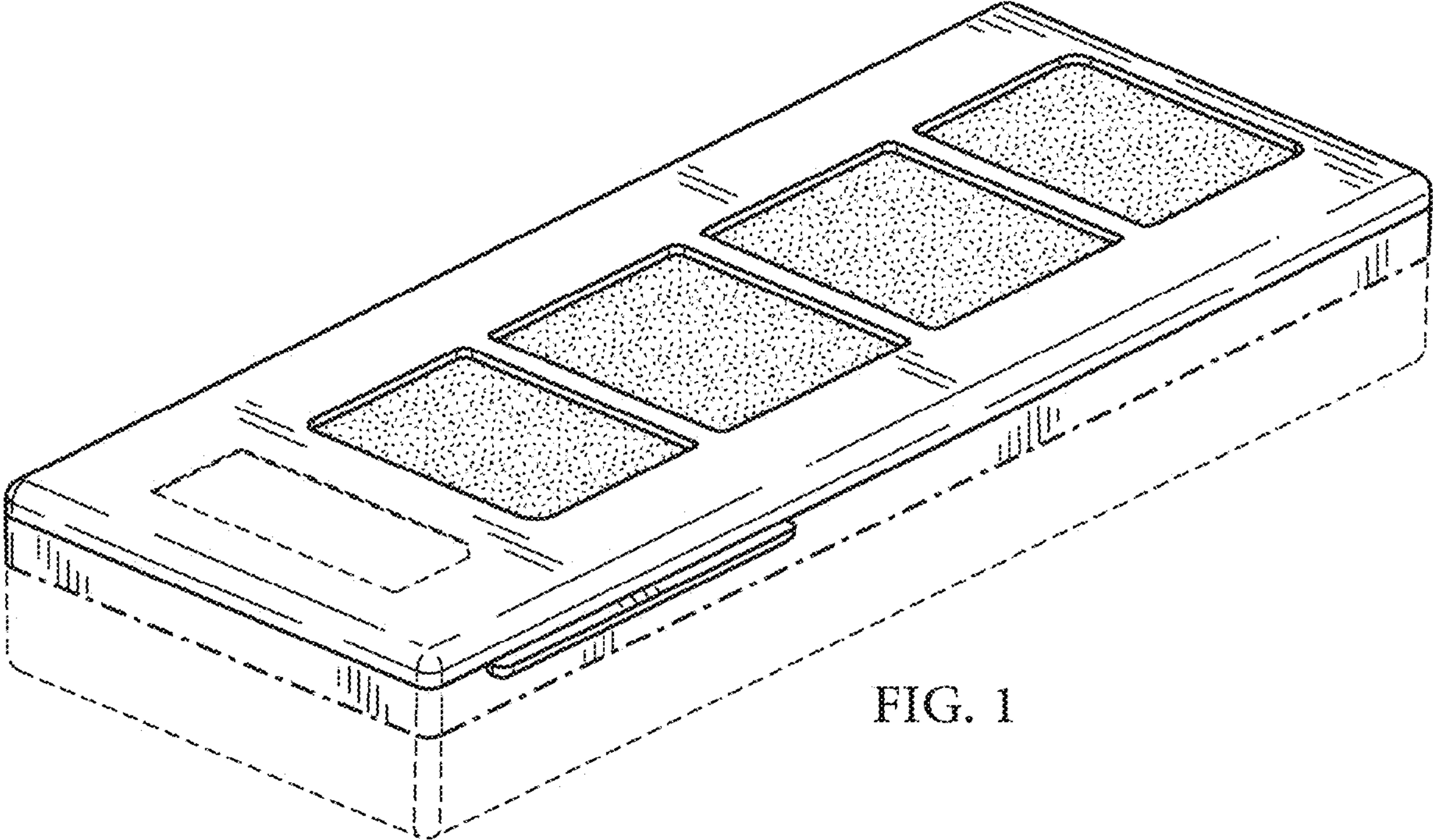


FIG. 1

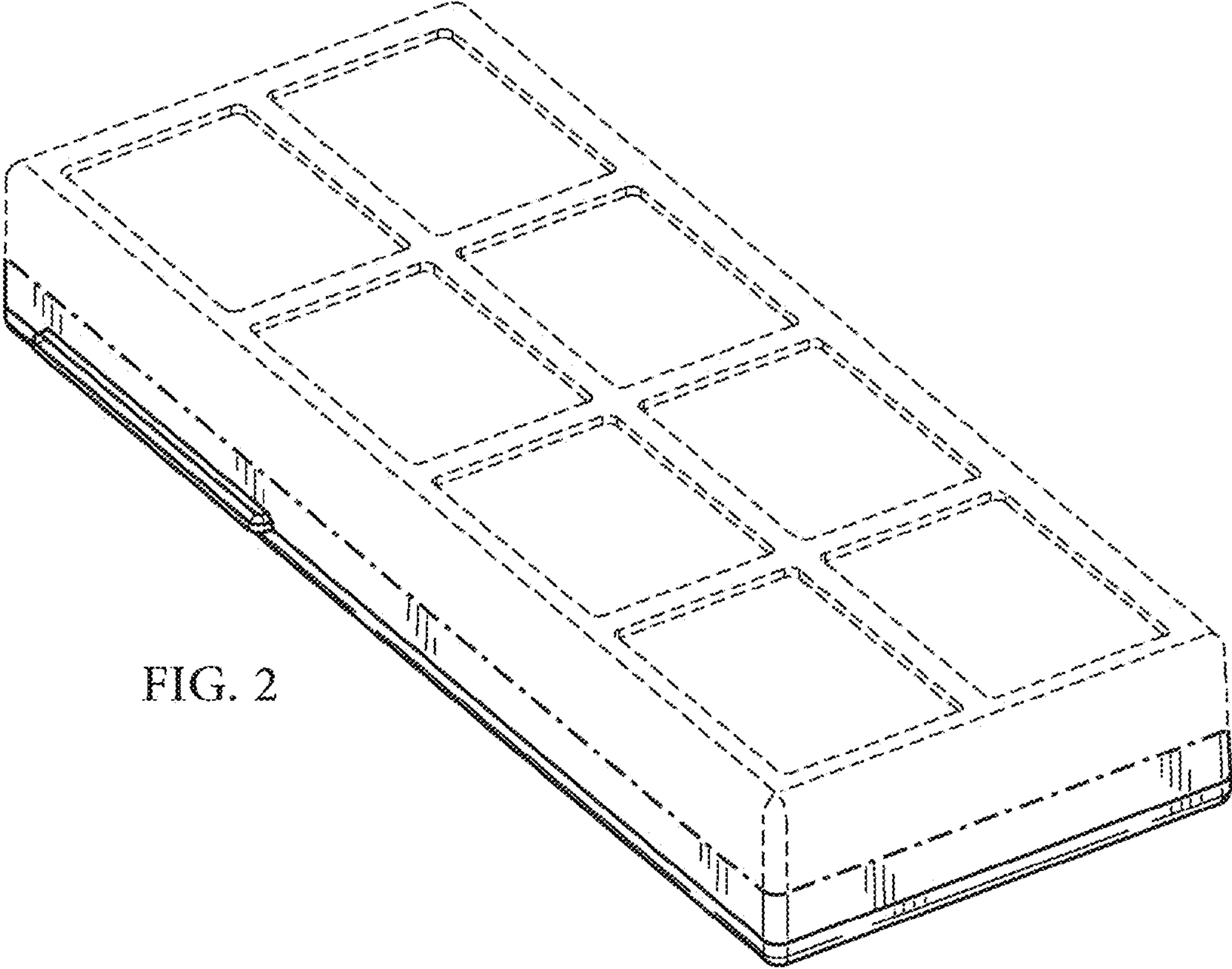


FIG. 2

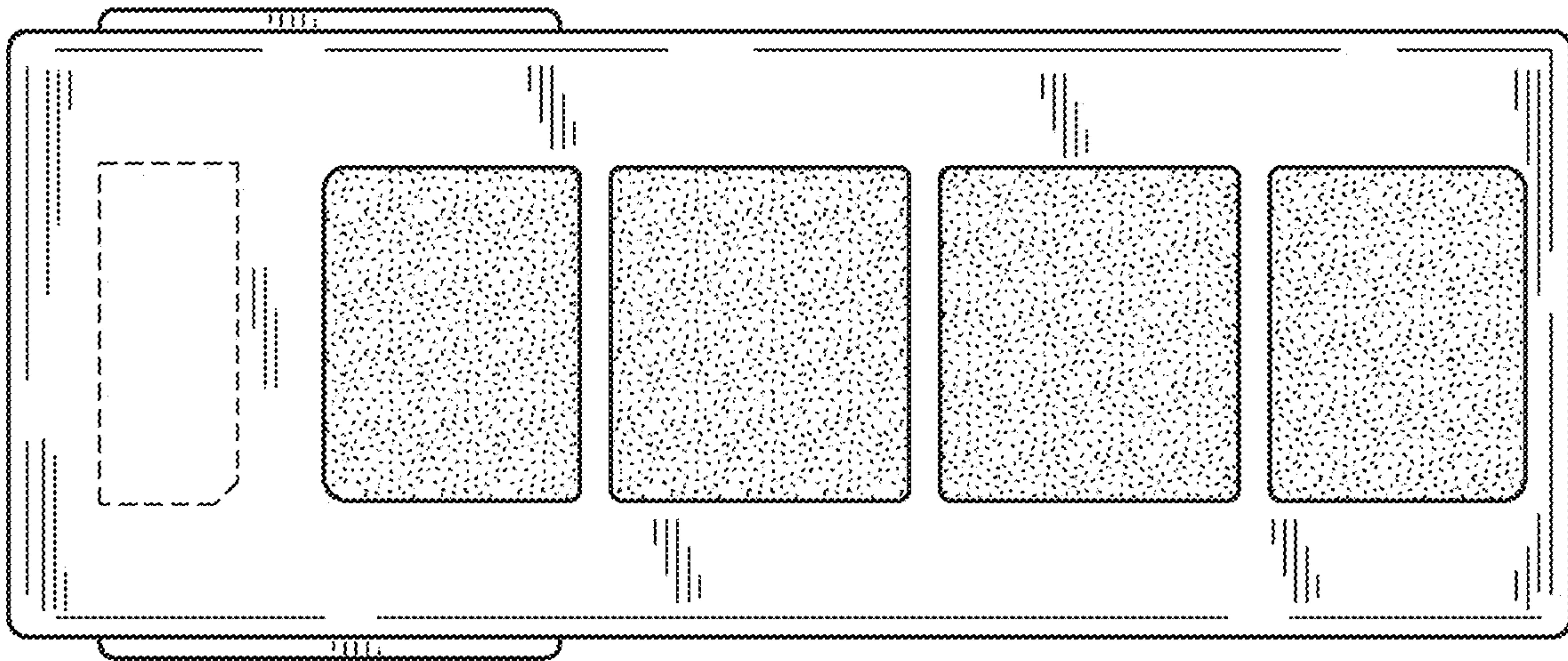


FIG. 3

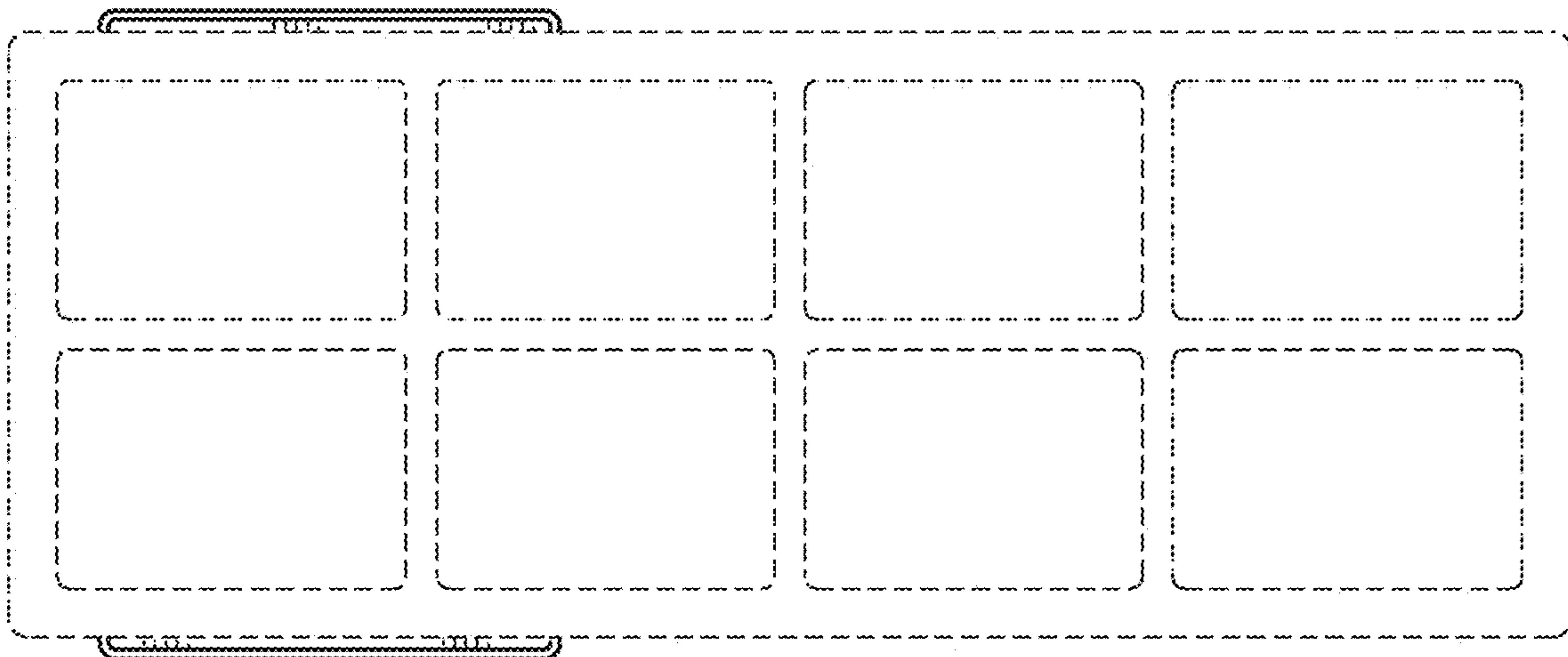


FIG. 4

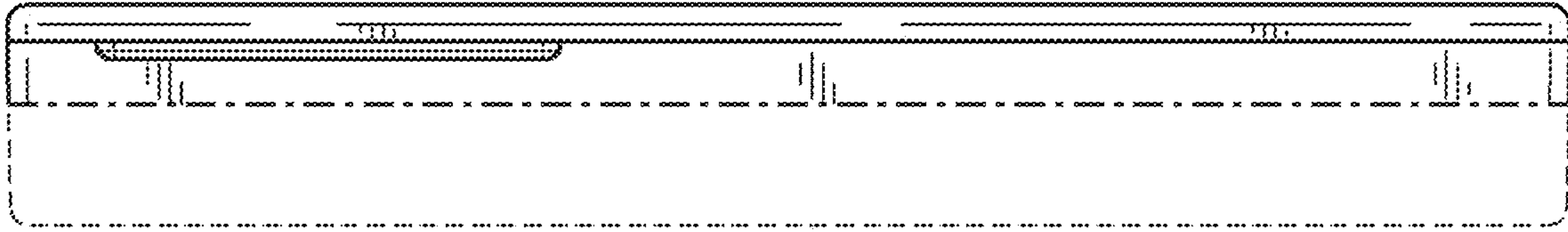


FIG. 5

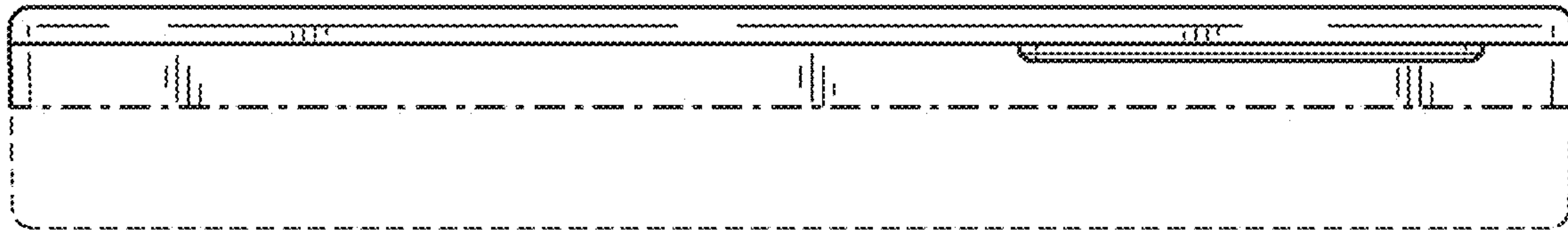


FIG. 6

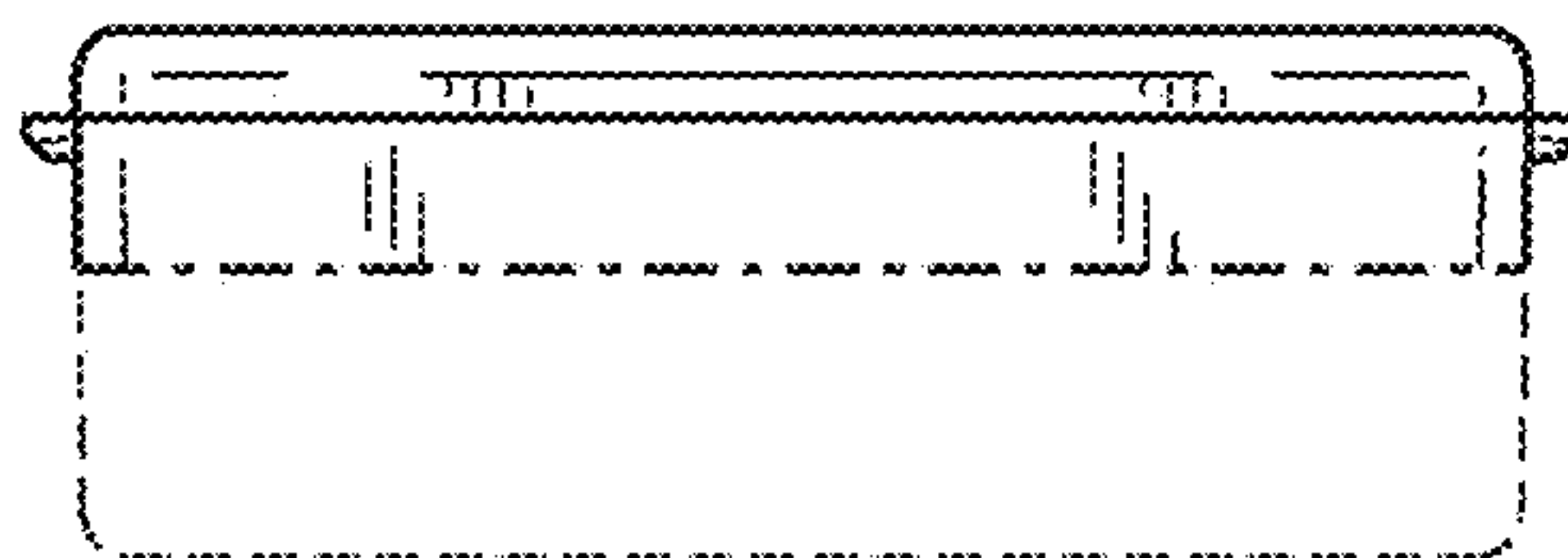


FIG. 7

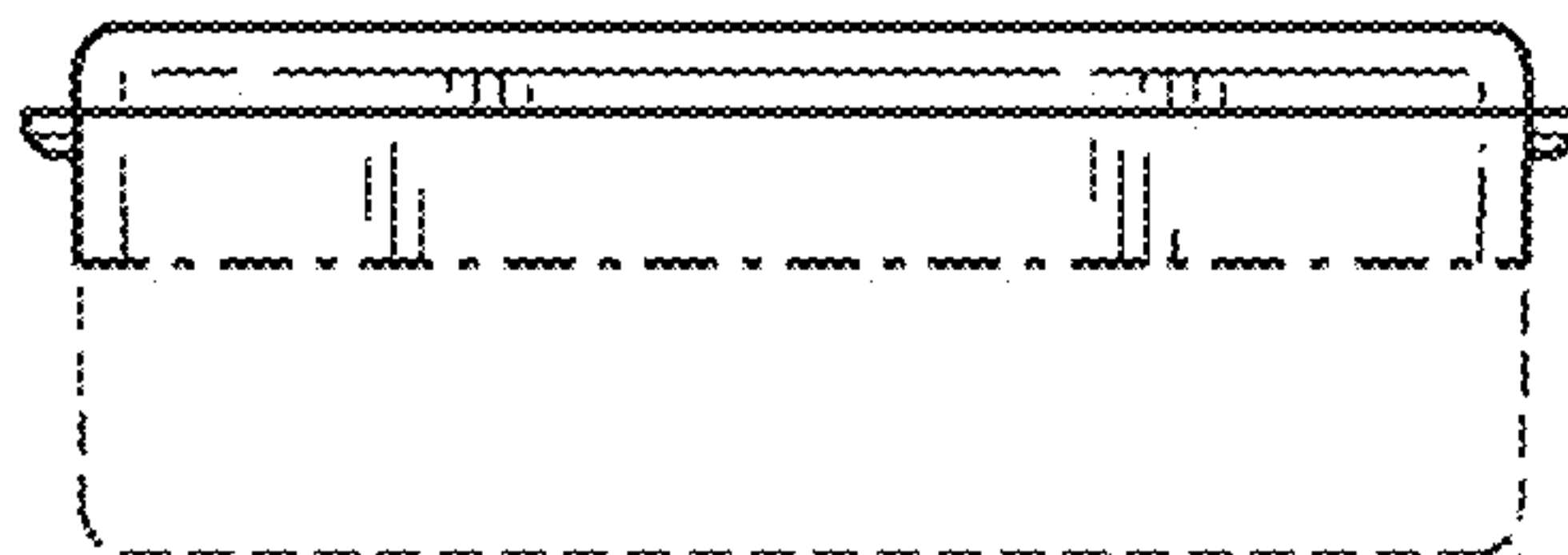


FIG. 8