



US00D979031S

(12) **United States Design Patent**
Maw et al.

(10) **Patent No.:** **US D979,031 S**
(45) **Date of Patent:** **** Feb. 21, 2023**

- (54) **FILTER CARTRIDGE**
- (71) Applicant: **SoClean, Inc.**, Peterborough, NH (US)
- (72) Inventors: **Kurt Michael Maw**, Salem, MA (US);
Robert A. Charles, New Boston, NH (US)
- (73) Assignee: **SOCLEAN INC.**, Peterborough, NH (US)

D859,624 S * 9/2019 Hyon D23/365
 D884,141 S * 5/2020 Cannon D23/366
 D894,363 S * 8/2020 Cannon D23/366

(Continued)

(**) Term: **15 Years**

(21) Appl. No.: **29/733,034**

(22) Filed: **Apr. 29, 2020**

(51) **LOC (14) Cl.** **23-04**

(52) **U.S. Cl.**
USPC **D23/365**

(58) **Field of Classification Search**
USPC D23/200, 207, 209, 260, 261, 332, 333,
D23/351-367, 370, 388, 393, 397, 412;
D24/162

CPC ... A61L 9/00; A61L 9/02; A61L 9/012; A61L
9/03; A61L 9/032; A61L 9/035; A61L
9/037; A61L 9/04; A61L 9/12; A61L
9/122; A61L 2209/16; F24F 3/00; F24F
3/12; F24F 3/14; F24F 3/16; F24F 8/20;
F24F 8/80; F24F 8/108; B01D 46/0002;
B01D 46/0005; B01D 46/0006; B01D
46/0008; B01D 46/0009; B01D 46/0013;
B01D 46/0015; B01D 46/10; B01D
46/12; B01D 46/2422; B01D 46/4236;
B01D 46/521; B01D 2267/60; B01D
27/00; F41A 9/25; F41A 9/84

See application file for complete search history.

(56) **References Cited**

U.S. PATENT DOCUMENTS

D858,731 S * 9/2019 Hyon D23/365
 D858,732 S * 9/2019 Hyon D23/365

OTHER PUBLICATIONS

SoClean. "SoClean3_Filter." www.soclean.com. Wed. Jan. 1, 2022.
Shown in pp. 1, 2 & 5. PN1407. Available from URL: <https://www.soclean.com/soclean3/product/soclean-3-filter> (Year: 2021).*

(Continued)

Primary Examiner — Gino Colan

Assistant Examiner — David Obrien

(74) *Attorney, Agent, or Firm* — Grossman, Tucker,
Perreault & Pflieger, PLLC

(57) **CLAIM**

The ornamental design for a filter cartridge, as shown and described.

DESCRIPTION

FIG. 1 is a front view of a filter cartridge, showing the new design;

FIG. 2 is a rear view thereof;

FIG. 3 is a left side view thereof;

FIG. 4 is a right side view thereof;

FIG. 5 is a bottom view thereof;

FIG. 6 is a top view thereof;

FIG. 7 is a front top right perspective view thereof;

FIG. 8 is a front top left perspective view thereof;

FIG. 9 is a rear top left perspective view thereof;

FIG. 10 is a rear top right perspective view thereof;

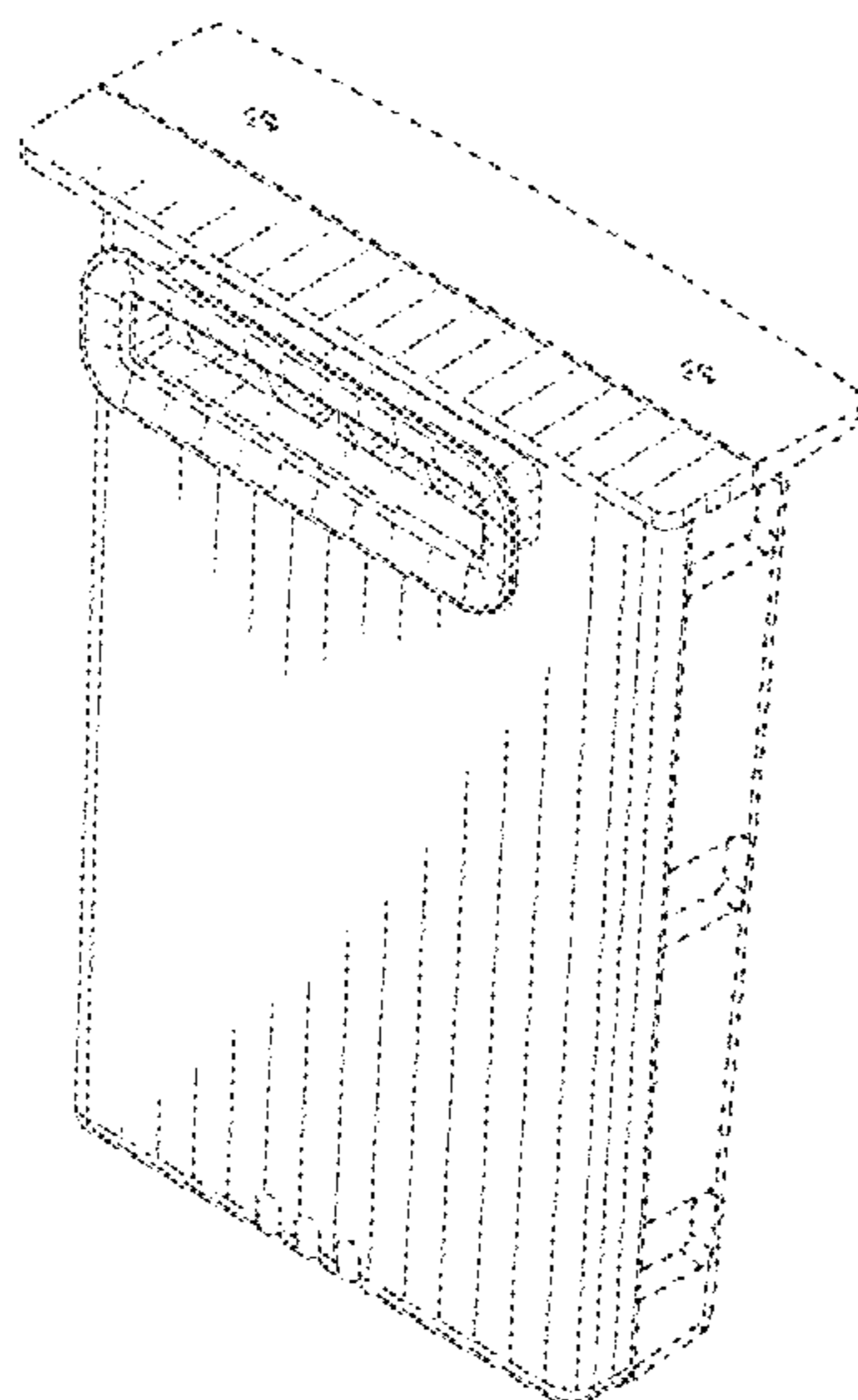
FIG. 11 is a front bottom right perspective view thereof;

FIG. 12 is a front bottom left perspective view thereof;

FIG. 13 is a rear bottom left perspective view thereof; and,
FIG. 14 is a rear bottom right perspective view thereof.

Any broken lines in the figures show portions of the filter cartridge that form no part of the claimed design.

1 Claim, 14 Drawing Sheets



(56)

References Cited

U.S. PATENT DOCUMENTS

D907,209 S * 1/2021 Maw D24/162
D907,210 S * 1/2021 Maw D24/162

OTHER PUBLICATIONS

U.S. Appl. No. 29/684,188, filed Mar. 19, 2019.
U.S. Appl. No. 29/684,196, filed Mar. 19, 2019.
U.S. Appl. No. 29/684,206, filed Mar. 19, 2019.
U.S. Appl. No. 29/684,213, filed Mar. 19, 2019.
International (PCT) Application No. PCT/US2020/023631, filed
Mar. 19, 2020.

* cited by examiner

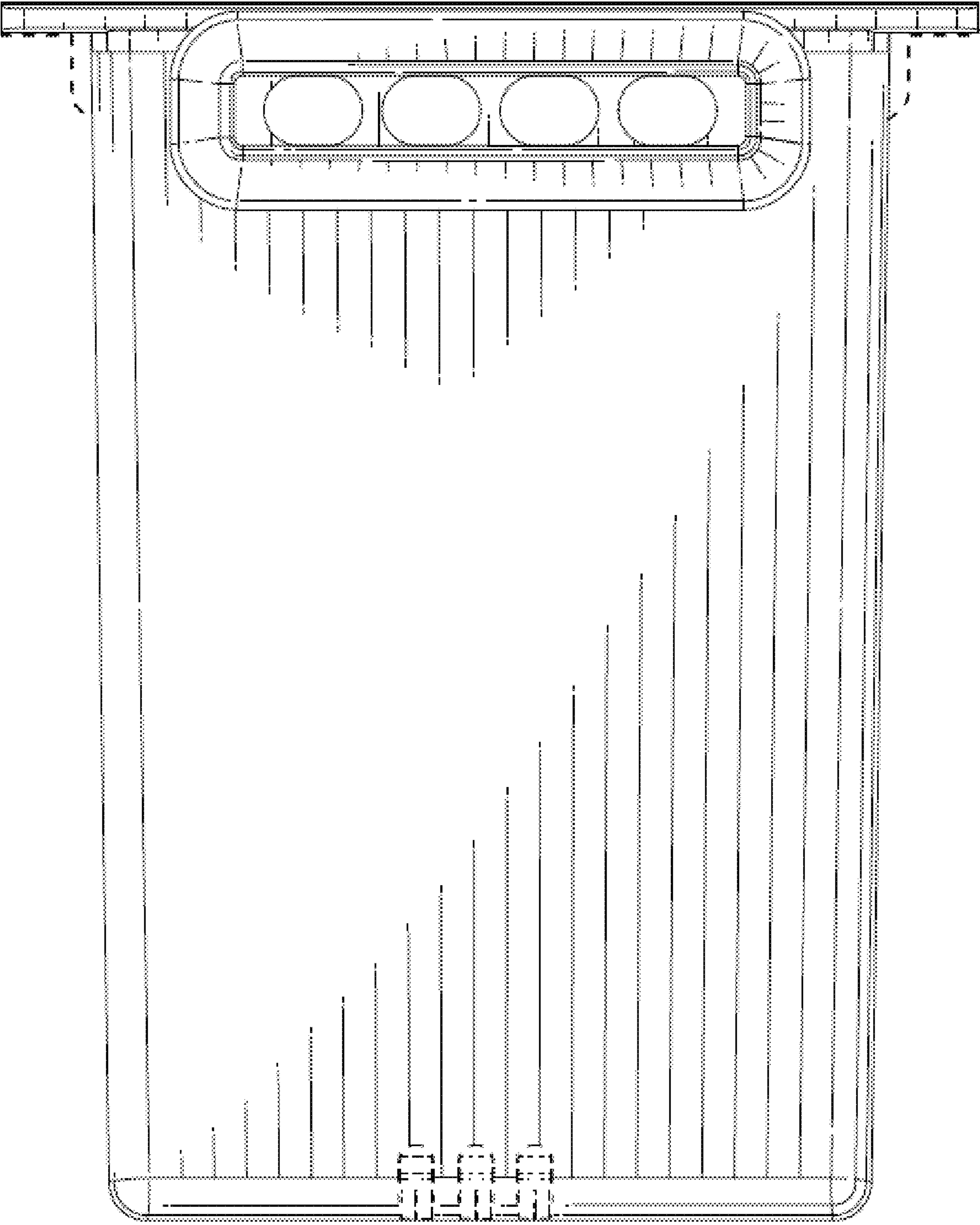


FIG. 1

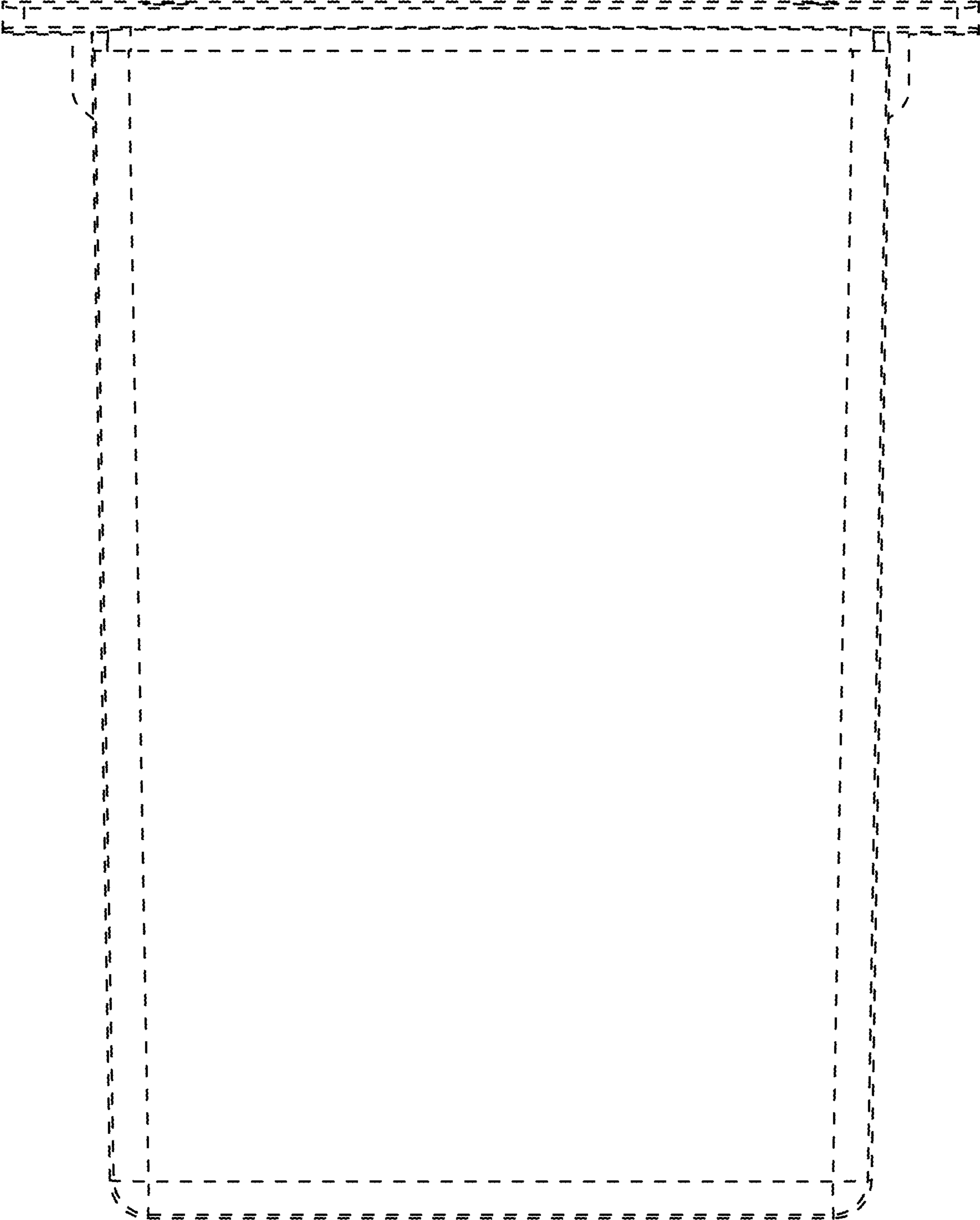


FIG. 2

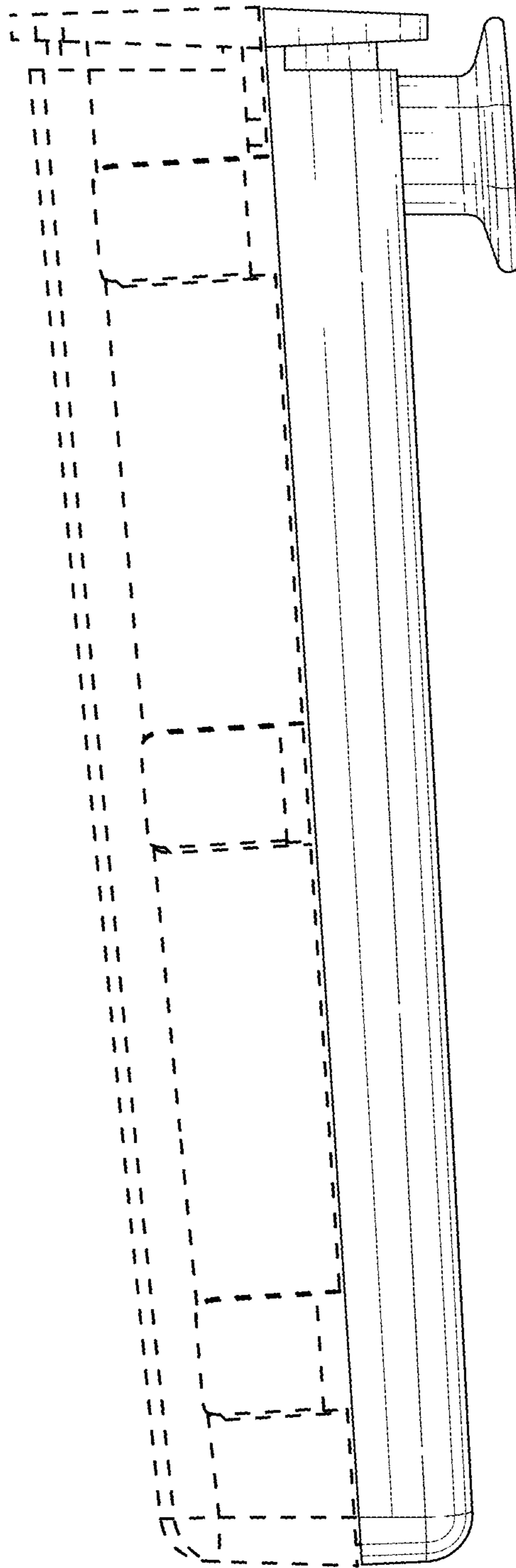


FIG. 3

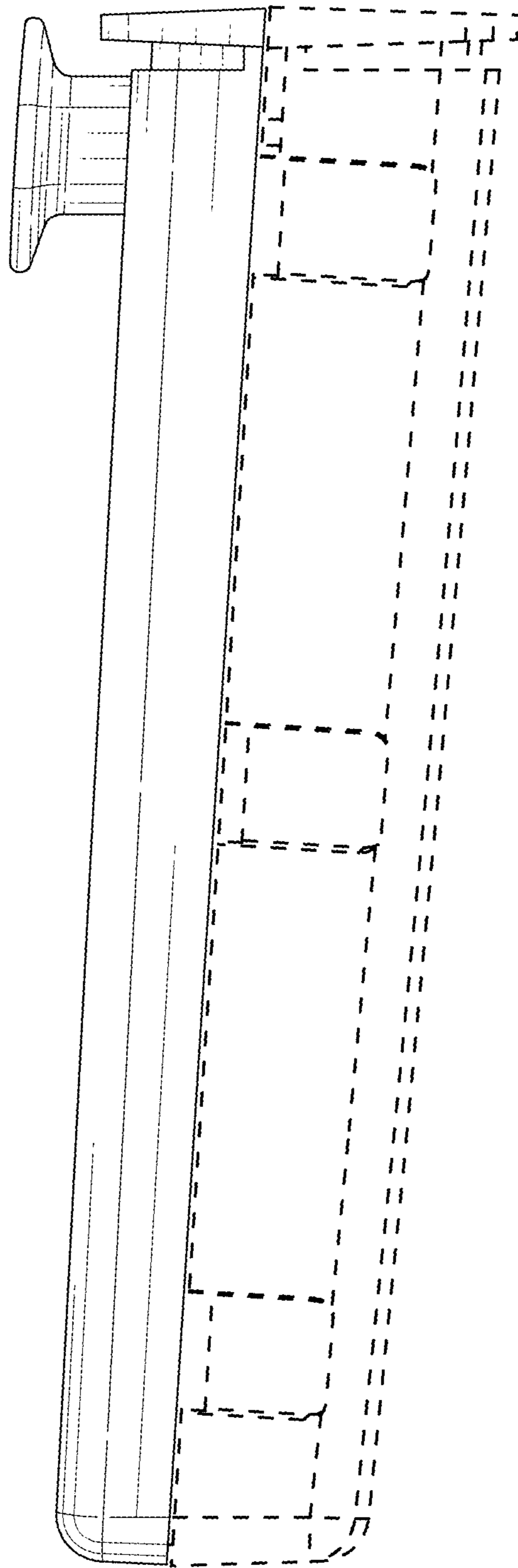


FIG. 4

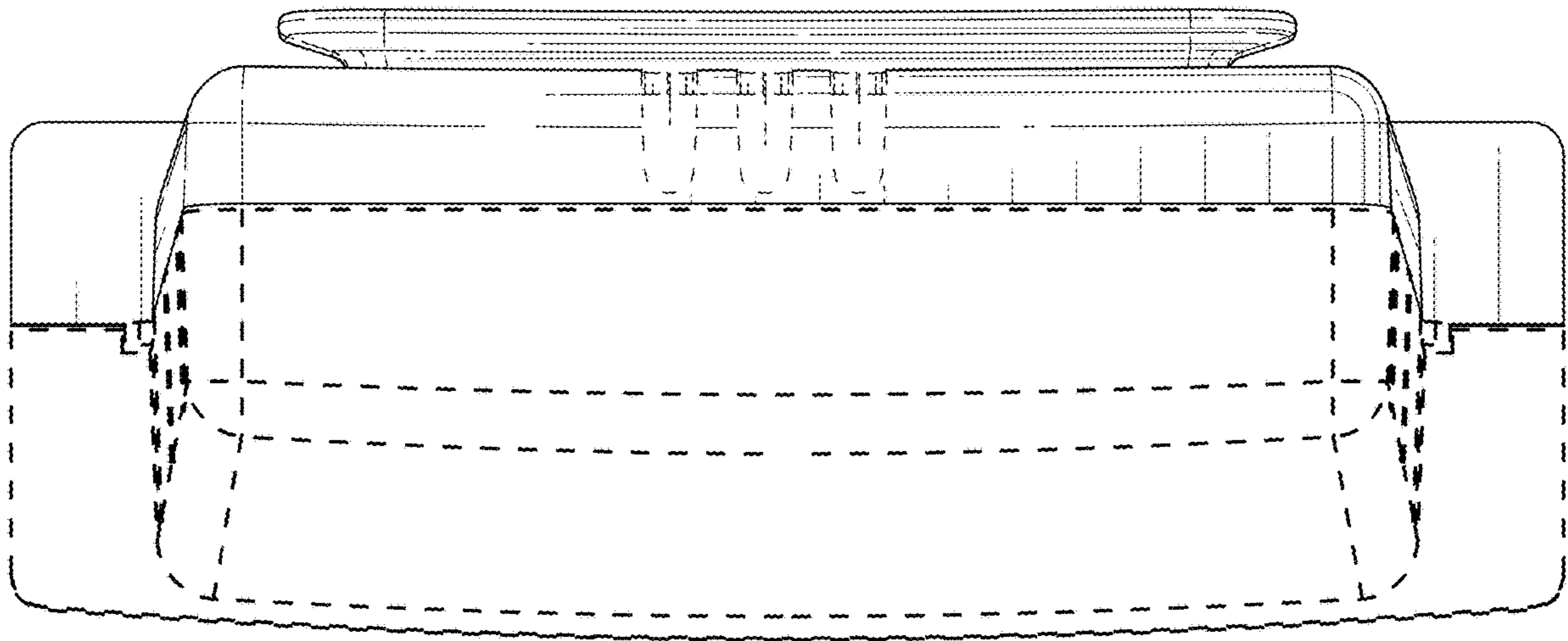


FIG. 5

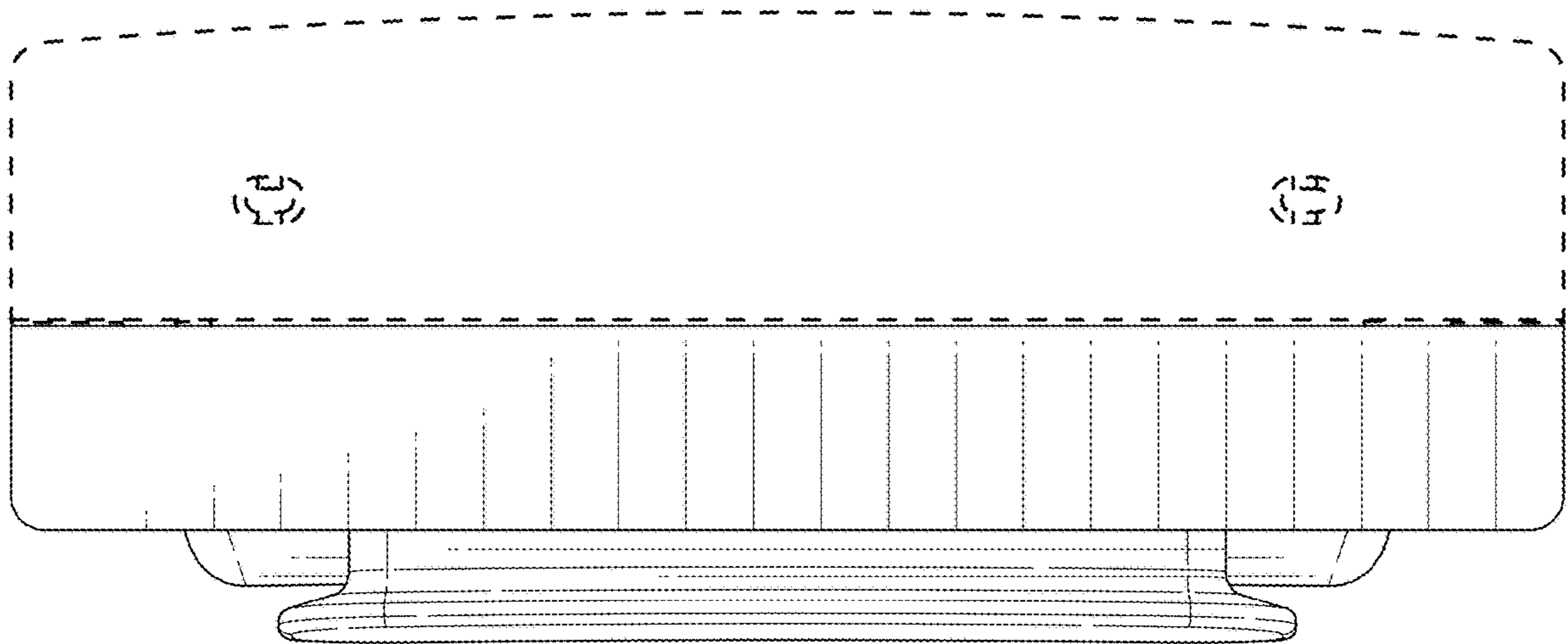


FIG. 6

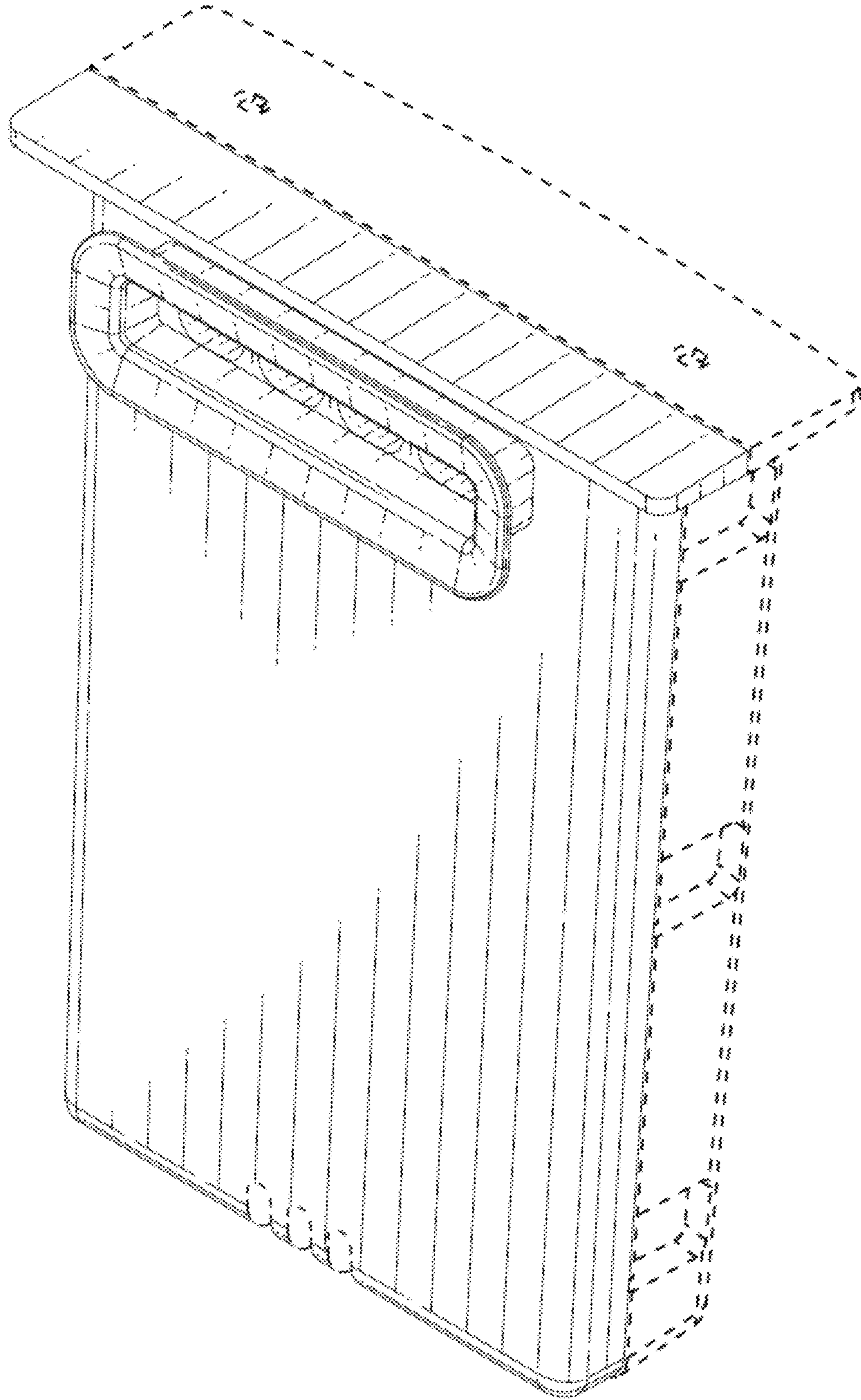


FIG. 7

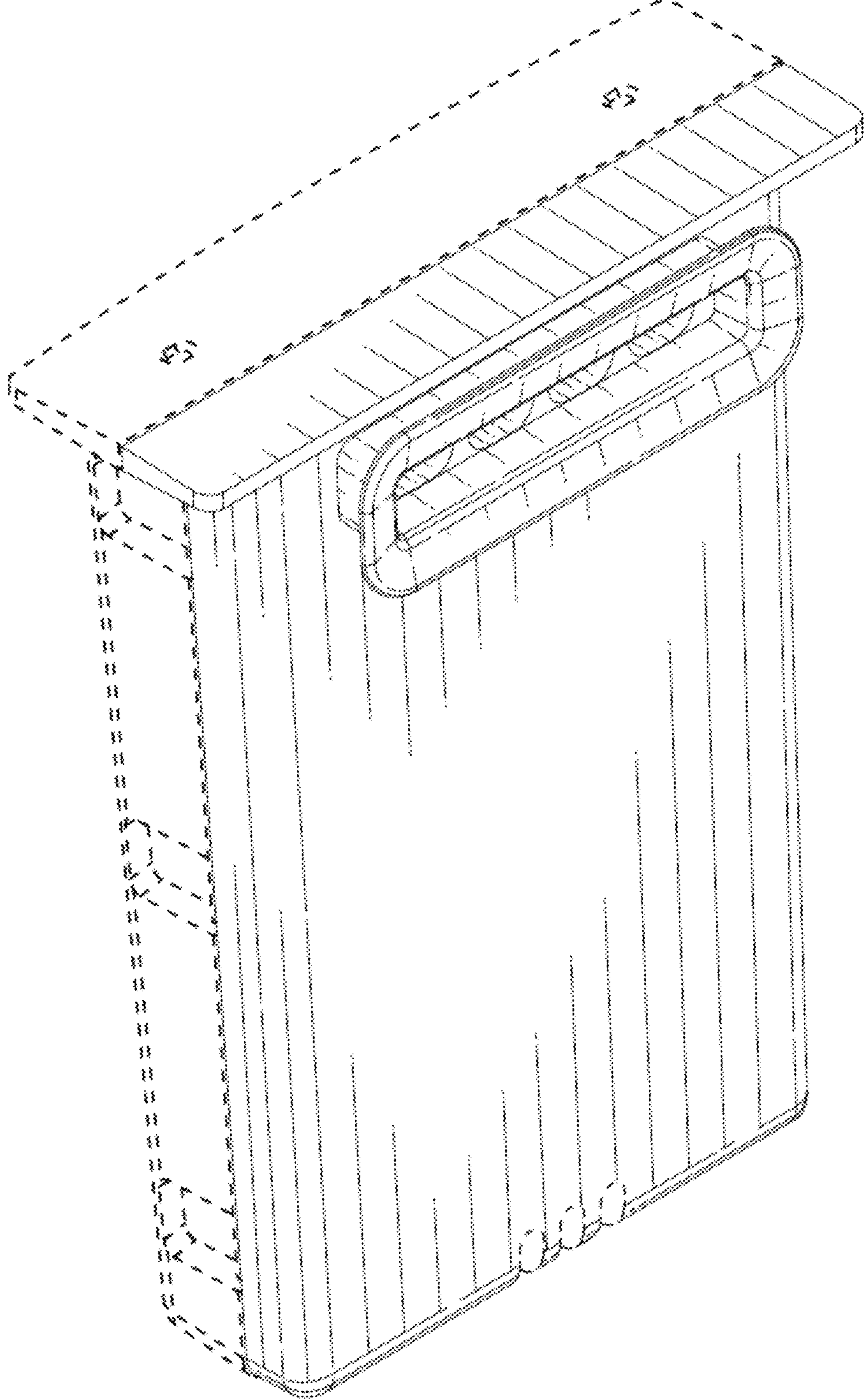


FIG. 8

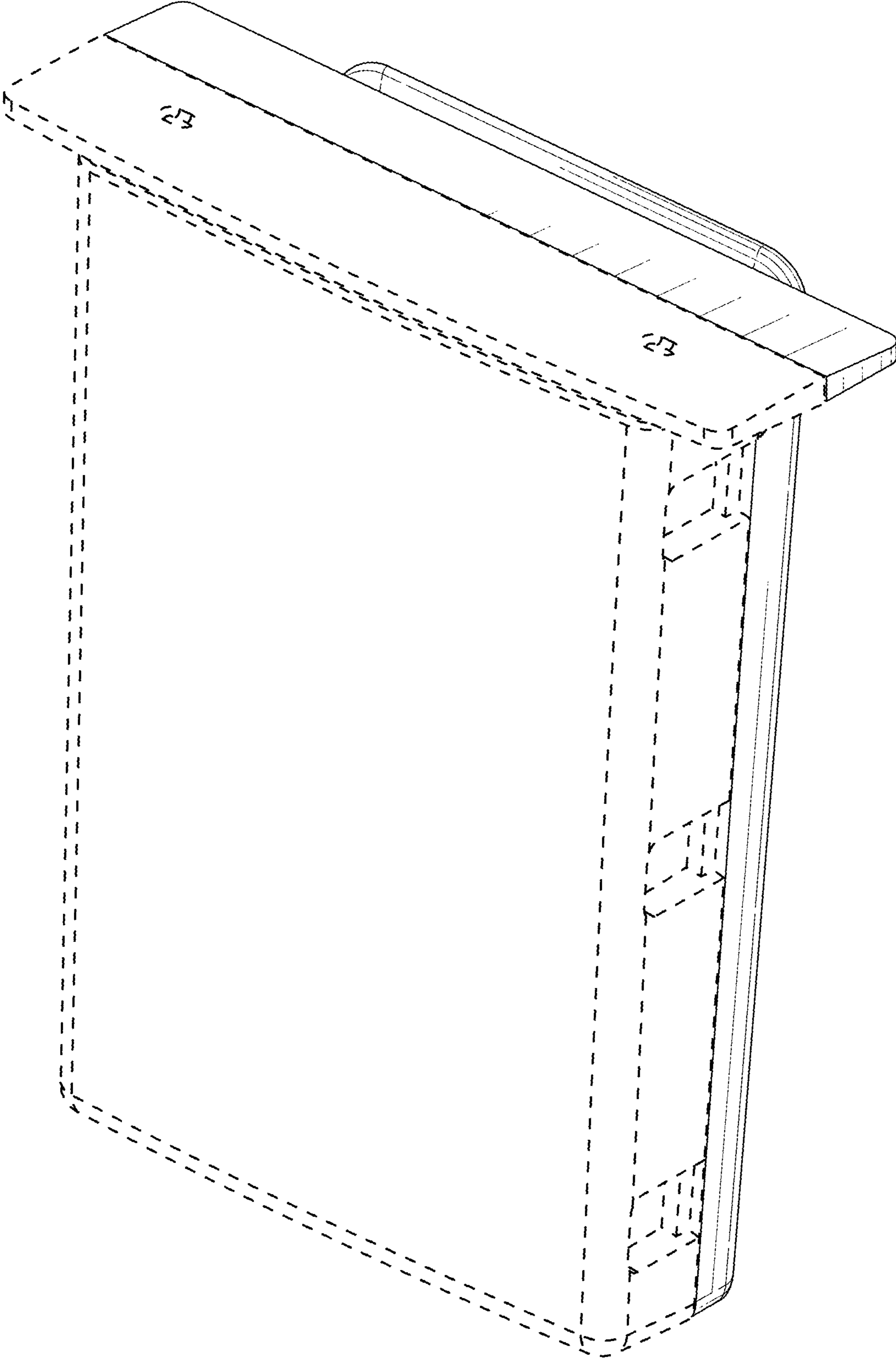


FIG. 9

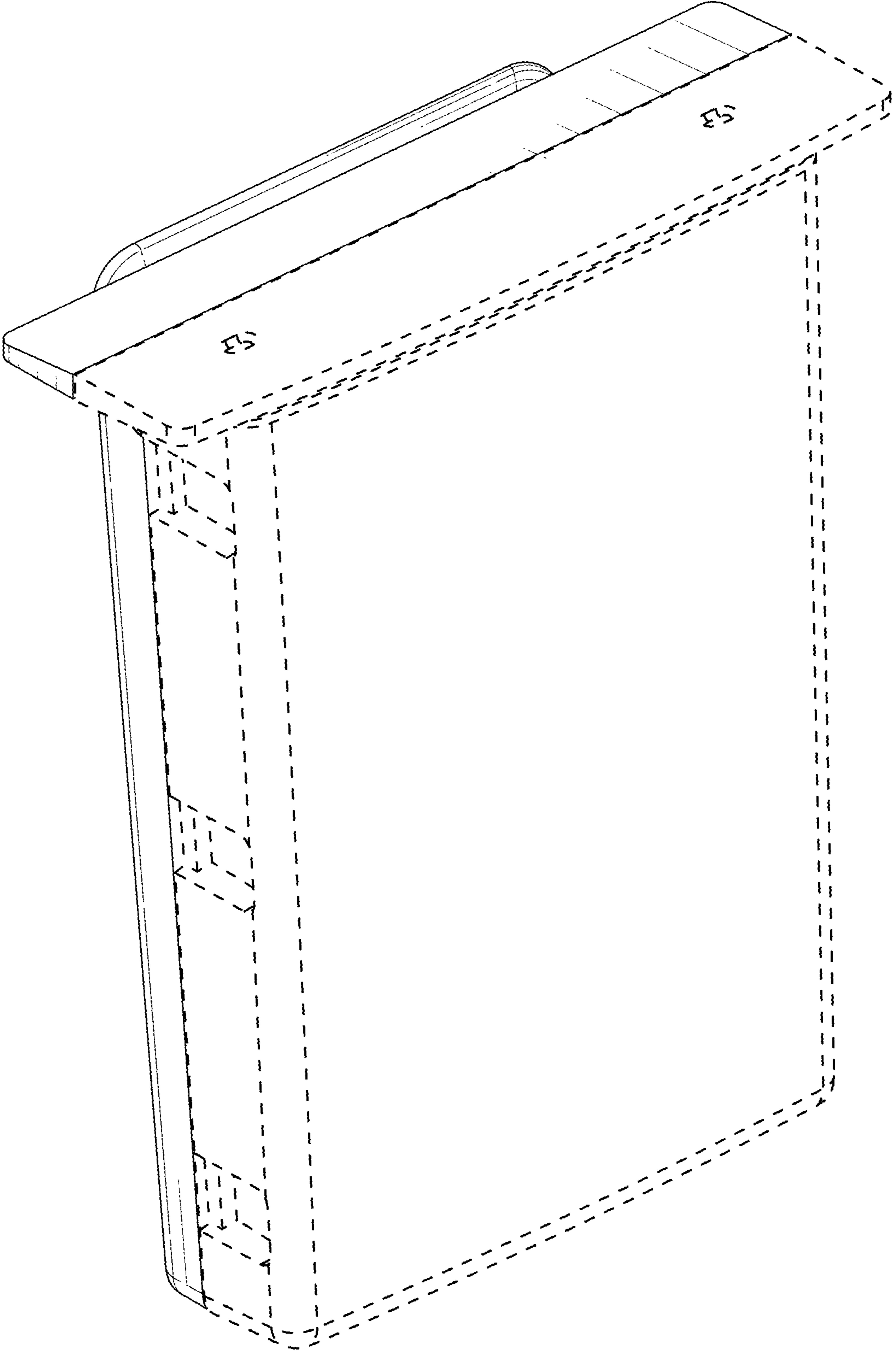


FIG. 10

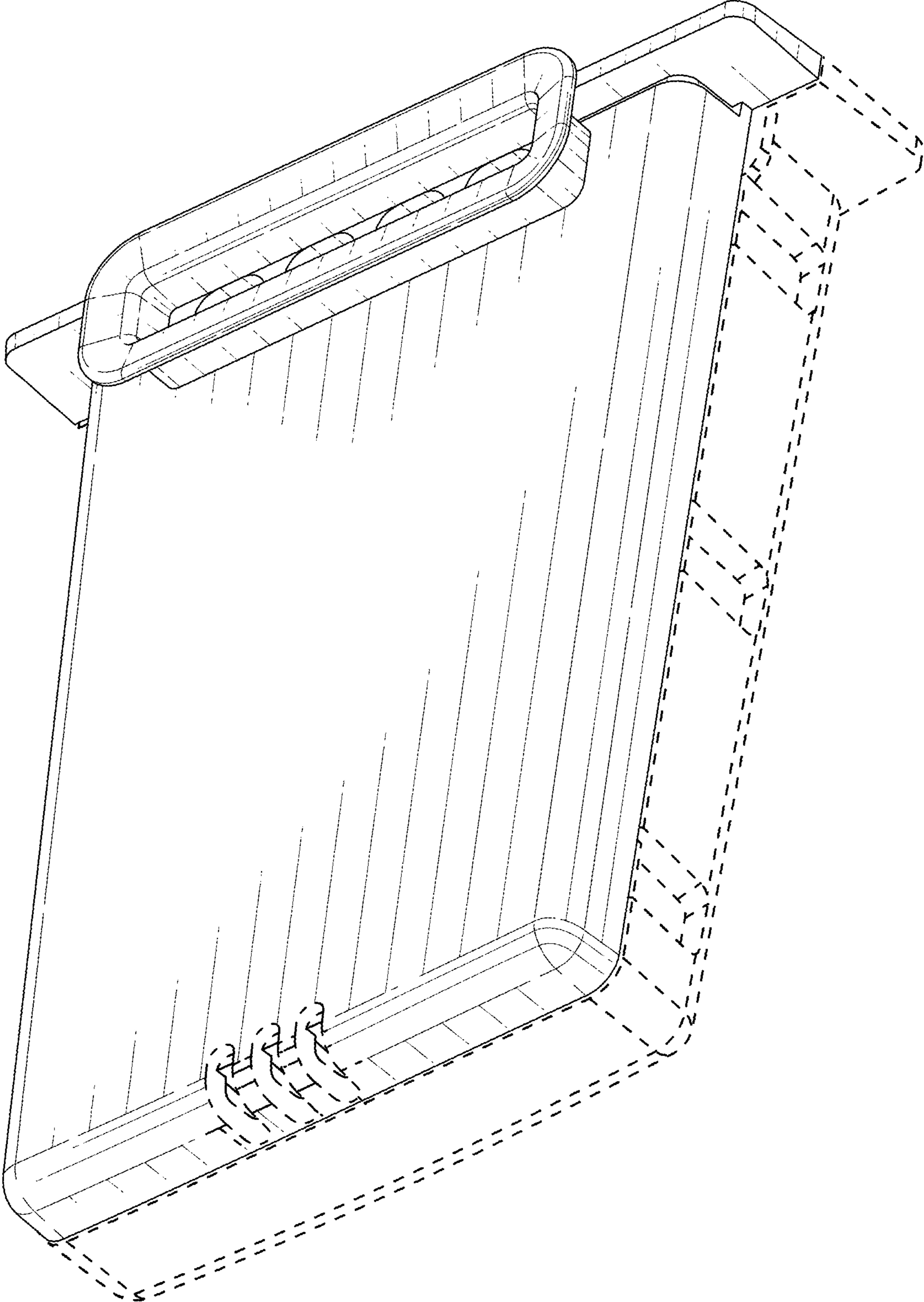


FIG. 11

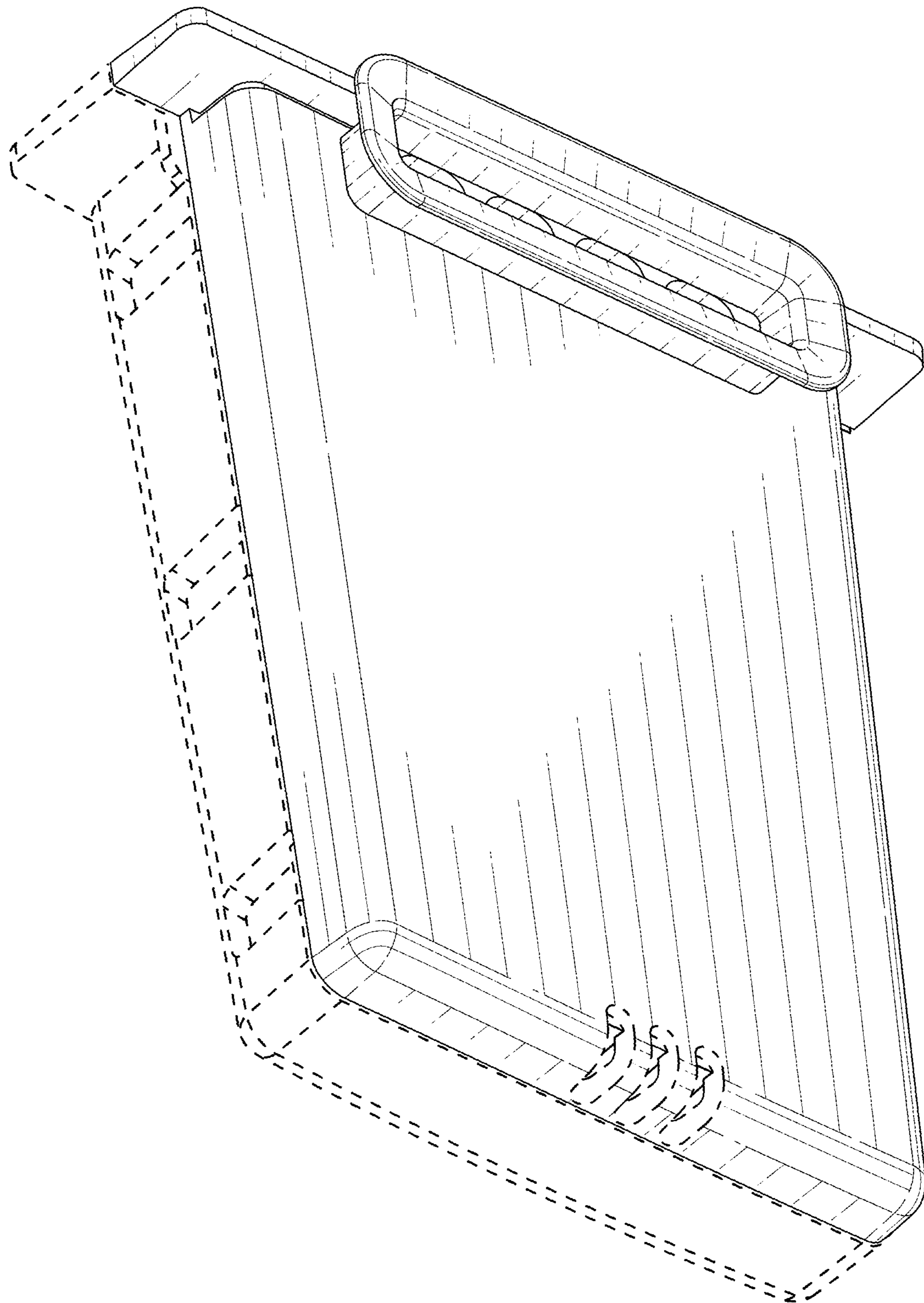


FIG. 12

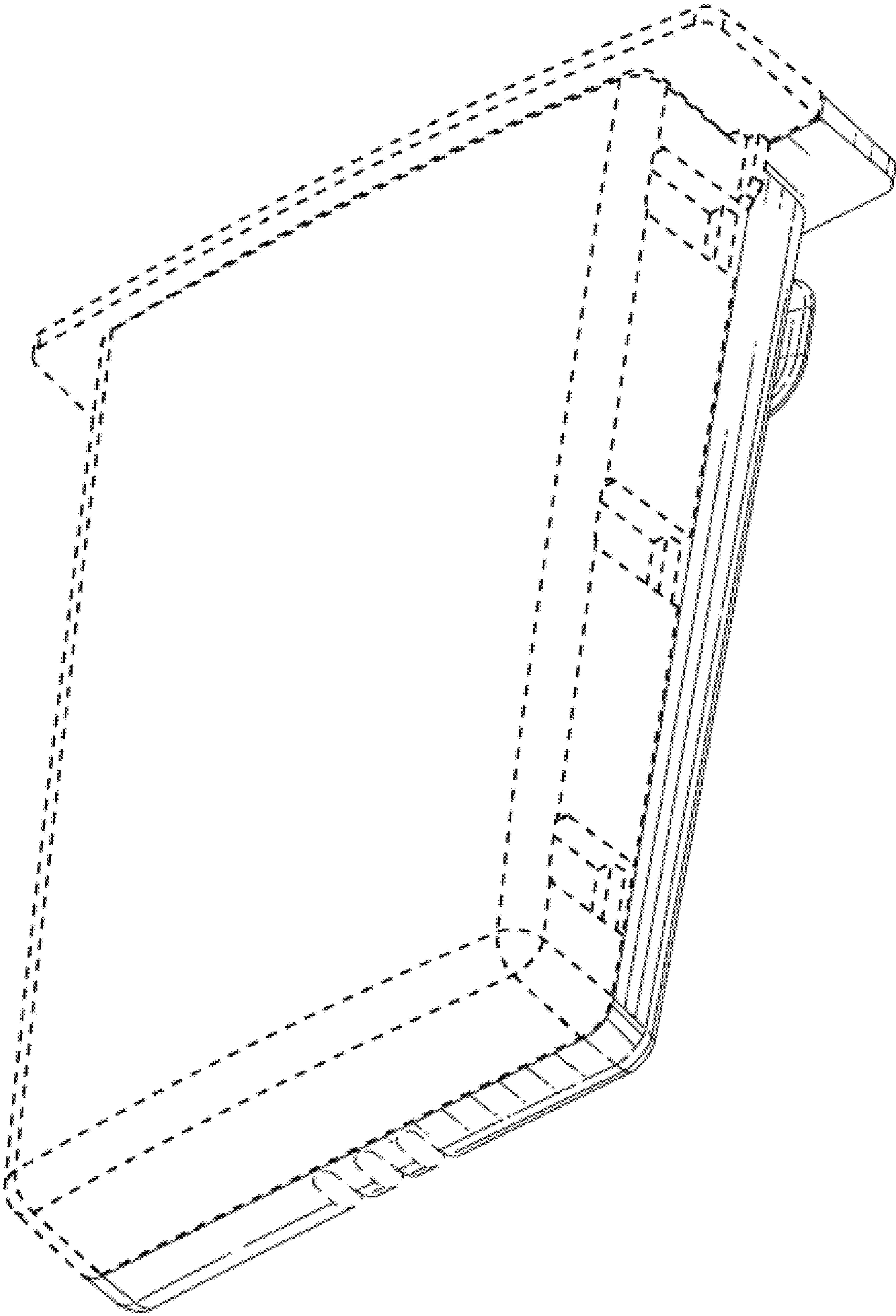


FIG. 13

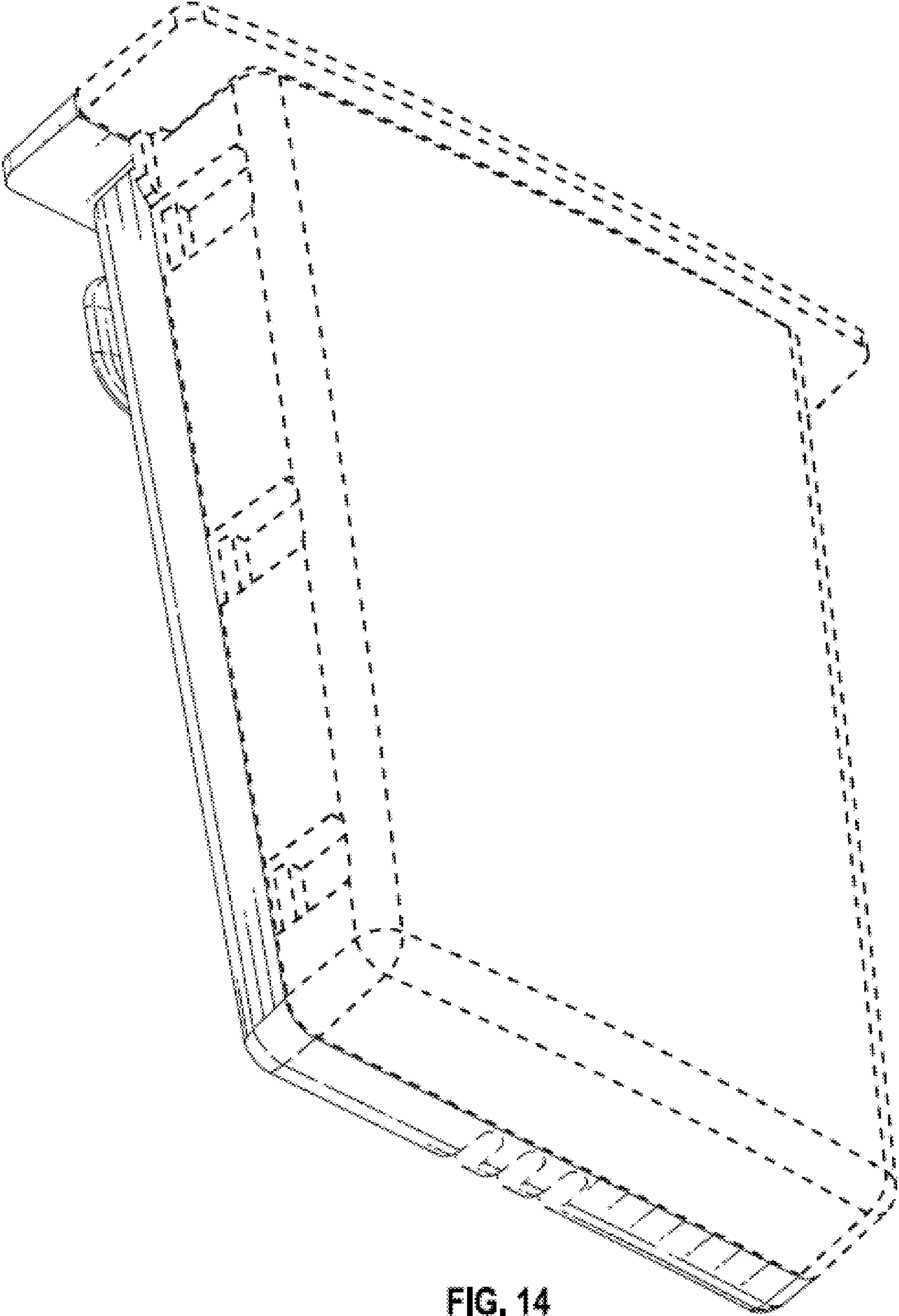


FIG. 14