



US00D979027S

(12) **United States Design Patent**
Haji et al.

(10) **Patent No.:** **US D979,027 S**

(45) **Date of Patent:** **** Feb. 21, 2023**

(54) **COMBINATION AIR PURIFIER AND SURFACE SANITIZER**

D822,813 S * 7/2018 Seo D23/356
D831,815 S * 10/2018 Davis, II D23/366
D836,188 S * 12/2018 Li D23/356
D839,405 S * 1/2019 Hu D23/366

(71) Applicant: **Next Gen Design and Development LLC**, Ferndale, MI (US)

(Continued)

(72) Inventors: **Hadir Haji**, Bloomfield Township, MI (US); **Taylor Spencer**, Rochester Hills, MI (US)

FOREIGN PATENT DOCUMENTS

CN 303795699 * 8/2016
CN 305357863 * 9/2019

(Continued)

(73) Assignee: **NEXT GEN DESIGN AND DEVELOPMENT LLC**, Ferndale, MI (US)

OTHER PUBLICATIONS

(**) Term: **15 Years**

Pure Daily Care Ultimate Aromatherapy Diffuser, first available Nov. 15, 2018[online], [site visited Aug. 15, 2022], Available from internet, URL:<<https://www.amazon.ca/dp/B07JD2GDKN>> (Year: 2018).*

(Continued)

(21) Appl. No.: **29/762,085**

(22) Filed: **Dec. 15, 2020**

(51) **LOC (14) Cl.** **23-04**

(52) **U.S. Cl.**

USPC **D23/364**

(58) **Field of Classification Search**

USPC D23/332, 336, 351, 355-356, 359, D23/364-366, 378, 499

CPC F24F 1/029; F24F 1/035; F24F 1/0287; F24F 6/06; F24F 6/14; F24F 13/06; F24F 13/20; F24F 13/222; F24F 3/16; F24F 3/1405; A61L 2/10; A61L 2/24; A61L 2202/16

See application file for complete search history.

Primary Examiner — David G Muller

Assistant Examiner — Jamaal Rasheed

(74) *Attorney, Agent, or Firm* — Dickinson Wright PLLC

(57) **CLAIM**

The ornamental design for a combination air purifier and surface sanitizer, as shown and described.

DESCRIPTION

FIG. 1 is a top perspective view of the combination air purifier and surface sanitizer showing my new design:

FIG. 2 is a bottom perspective view thereof;

FIG. 3 is a rear view thereof;

FIG. 4 is a front view thereof;

FIG. 5 is a right side view thereof;

FIG. 6 is a left side view thereof;

FIG. 7 is a top view thereof; and,

FIG. 8 is a bottom view thereof.

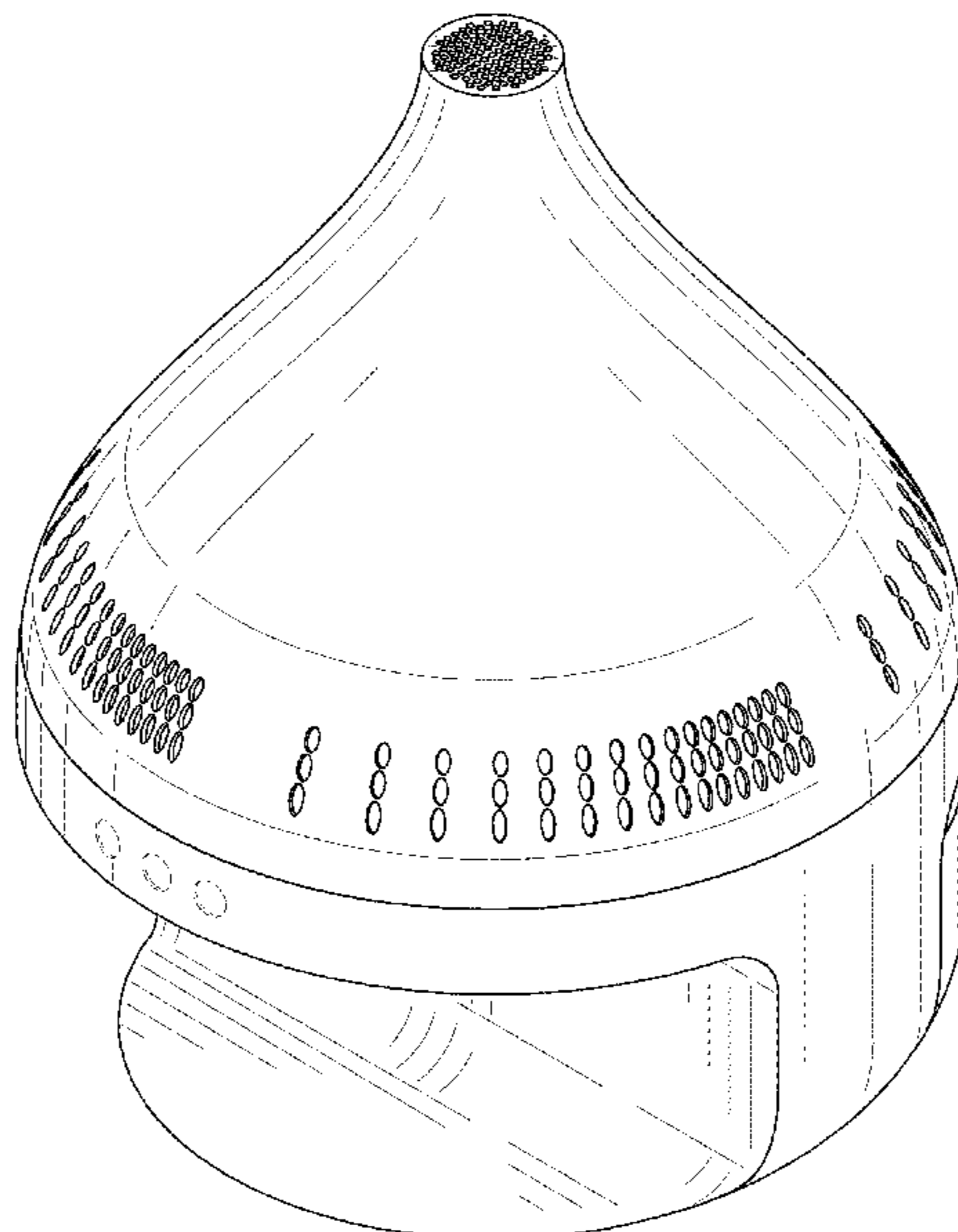
The broken lines depict portions of the combined air purifier and surface sanitizer that form no part of the claimed design.

(56) **References Cited**

U.S. PATENT DOCUMENTS

6,189,740 B1 2/2001 Wade et al.
6,354,469 B1 3/2002 Pozzi
D729,917 S * 5/2015 Seo D23/356
D771,785 S * 11/2016 Huang D23/366
D810,264 S * 2/2018 Lu D23/366
D811,570 S * 2/2018 Tang D23/356

1 Claim, 8 Drawing Sheets



(56)

References Cited

U.S. PATENT DOCUMENTS

D849,915 S * 5/2019 Chen D23/366
D851,227 S * 6/2019 Chen D23/356
D857,870 S * 8/2019 Yang D23/366
D859,626 S * 9/2019 Hu D23/366
D885,548 S * 5/2020 Cui D23/366
D885,549 S * 5/2020 Cui D23/366
D897,512 S * 9/2020 Wu D23/356
D900,370 S * 10/2020 Meng D26/51
D913,479 S * 3/2021 Yang D23/366
D919,796 S * 5/2021 Chen D23/366
D939,070 S * 12/2021 Yang D23/356
D956,195 S * 6/2022 Xu D23/356
D958,958 S * 7/2022 Yang D23/366
2022/0184539 A1 * 6/2022 Haji A61L 2/24

FOREIGN PATENT DOCUMENTS

JP D1292690 * 2/2007
WO 2018019592 A1 2/2018

OTHER PUBLICATIONS

Asakuki 400ml Essential Oil Diffuser, first available Apr. 2, 2021 [online], [site visited Aug. 15, 2022]. Available from internet, URL:<<https://www.amazon.com/ASAKUKI-Essential-Aromatherapy-Waterless-Humidifier/dp/B091K4TYD?th=1> > (Year: 2021).*

* cited by examiner

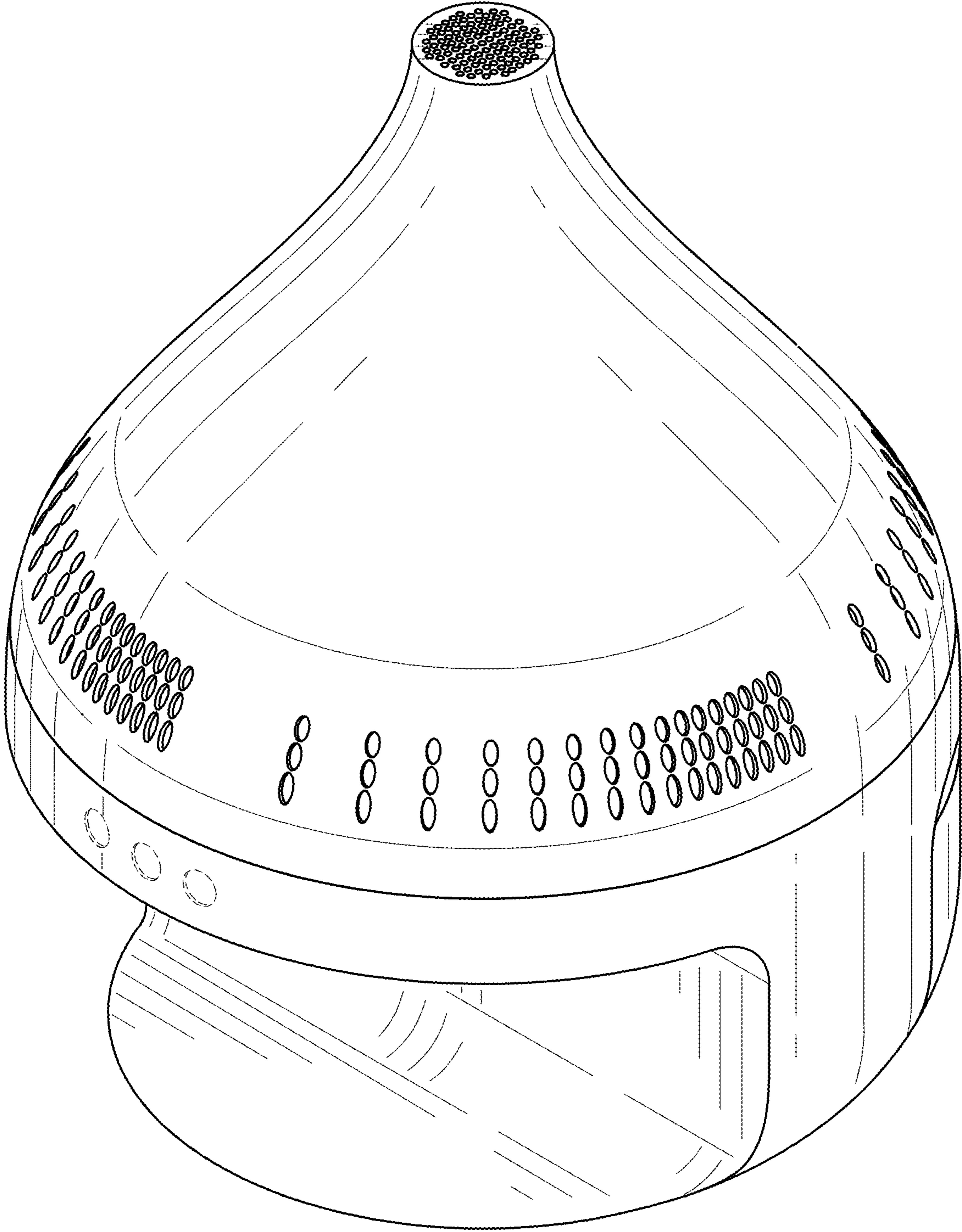


FIG. 1

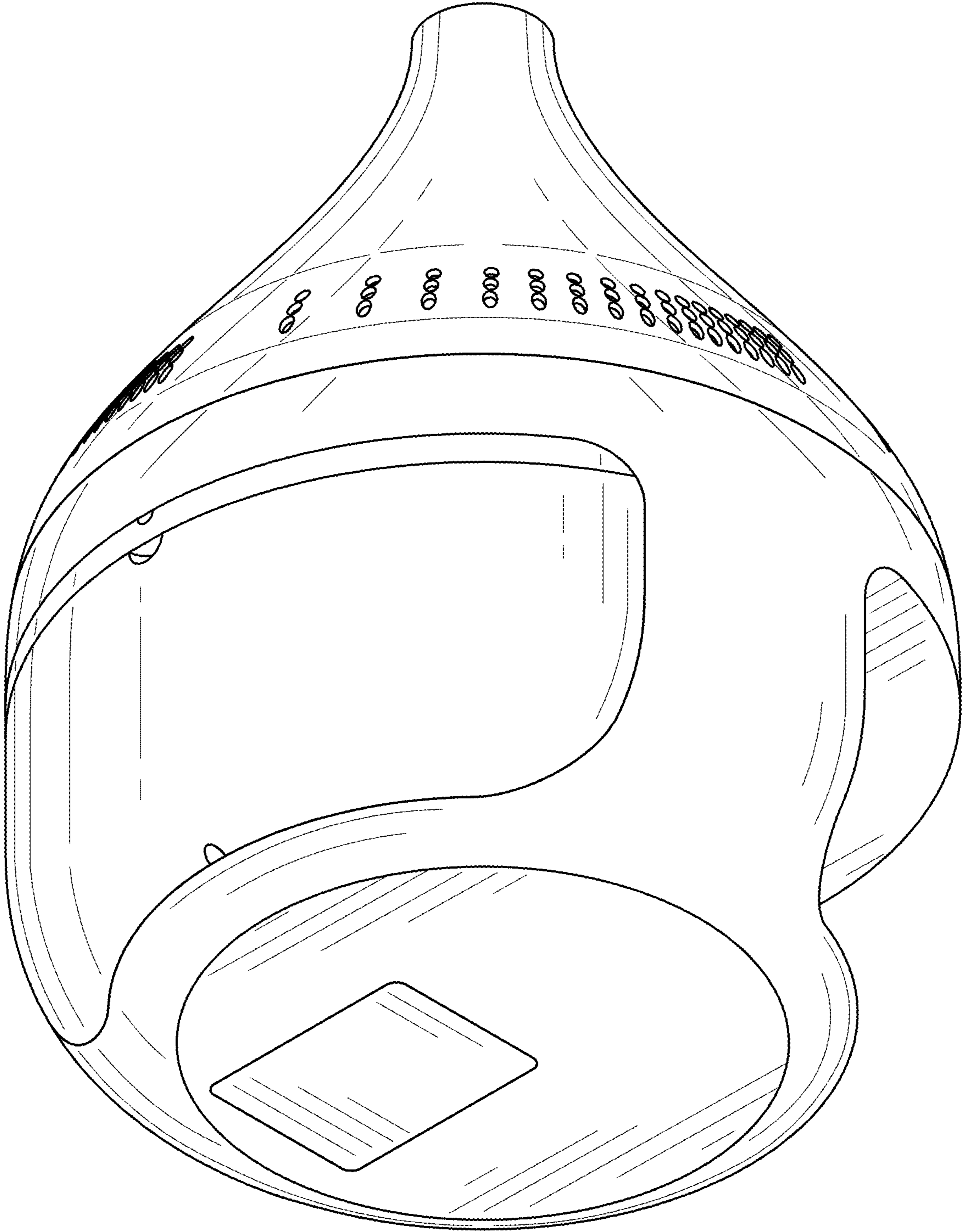


FIG. 2

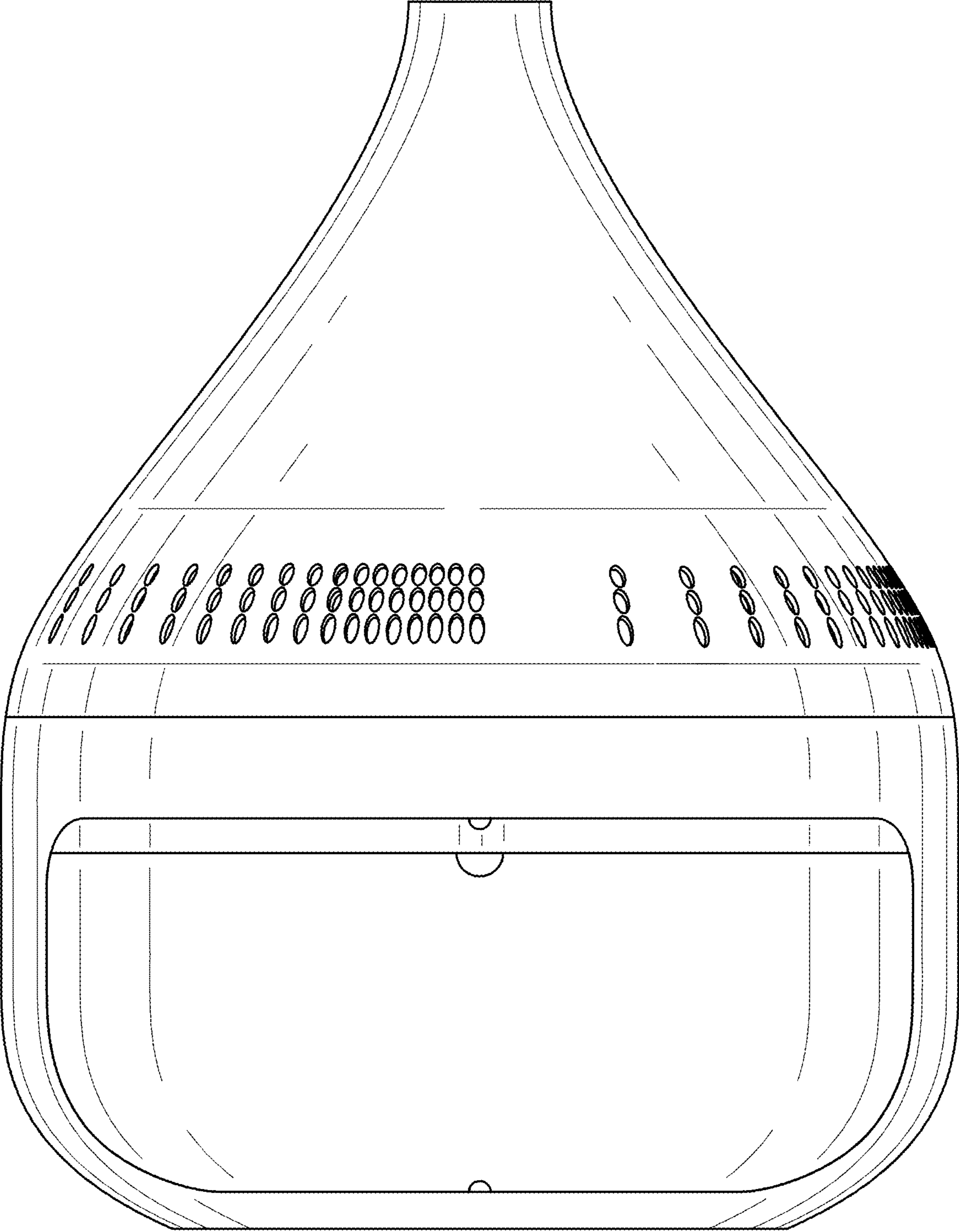


FIG. 3

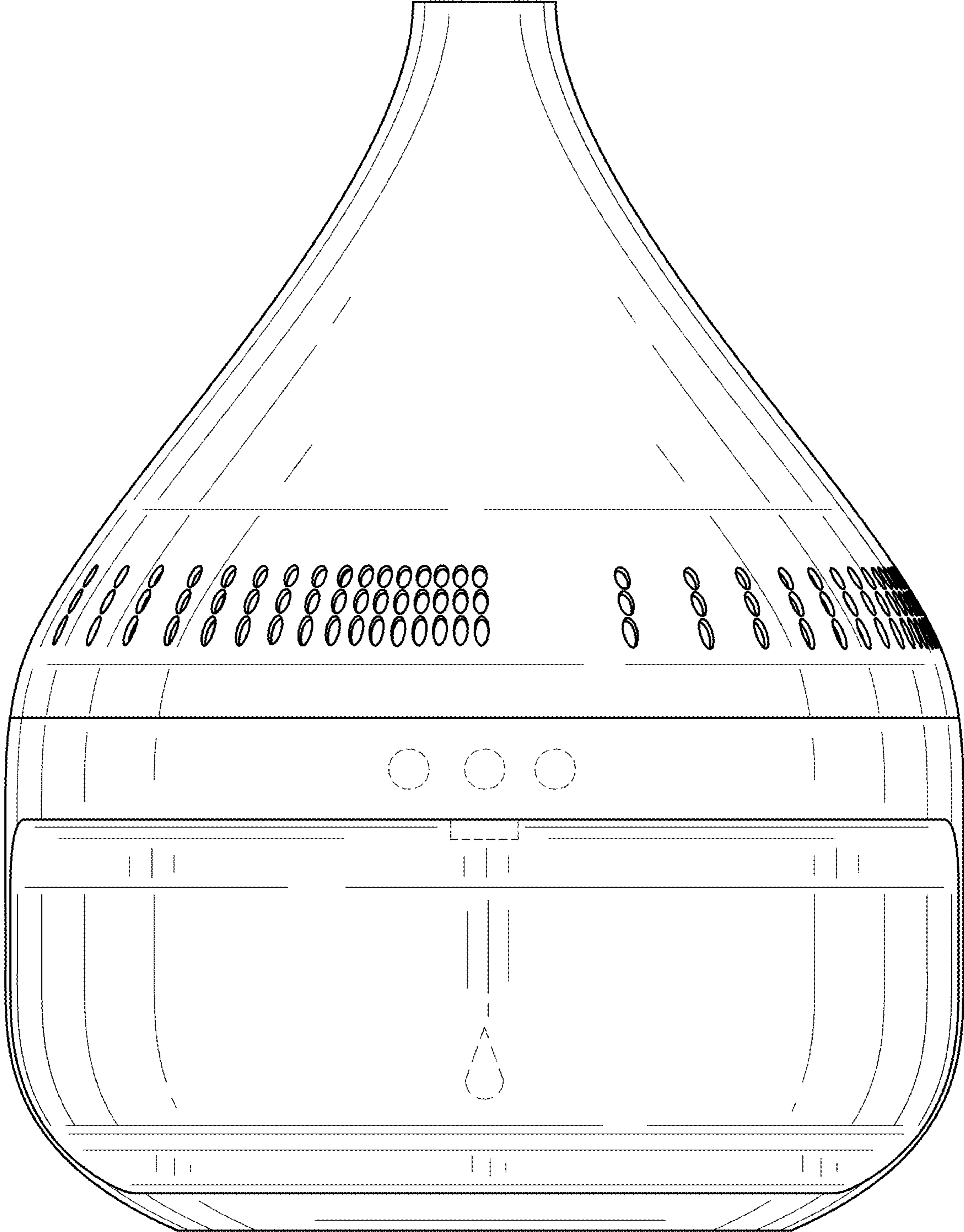


FIG. 4

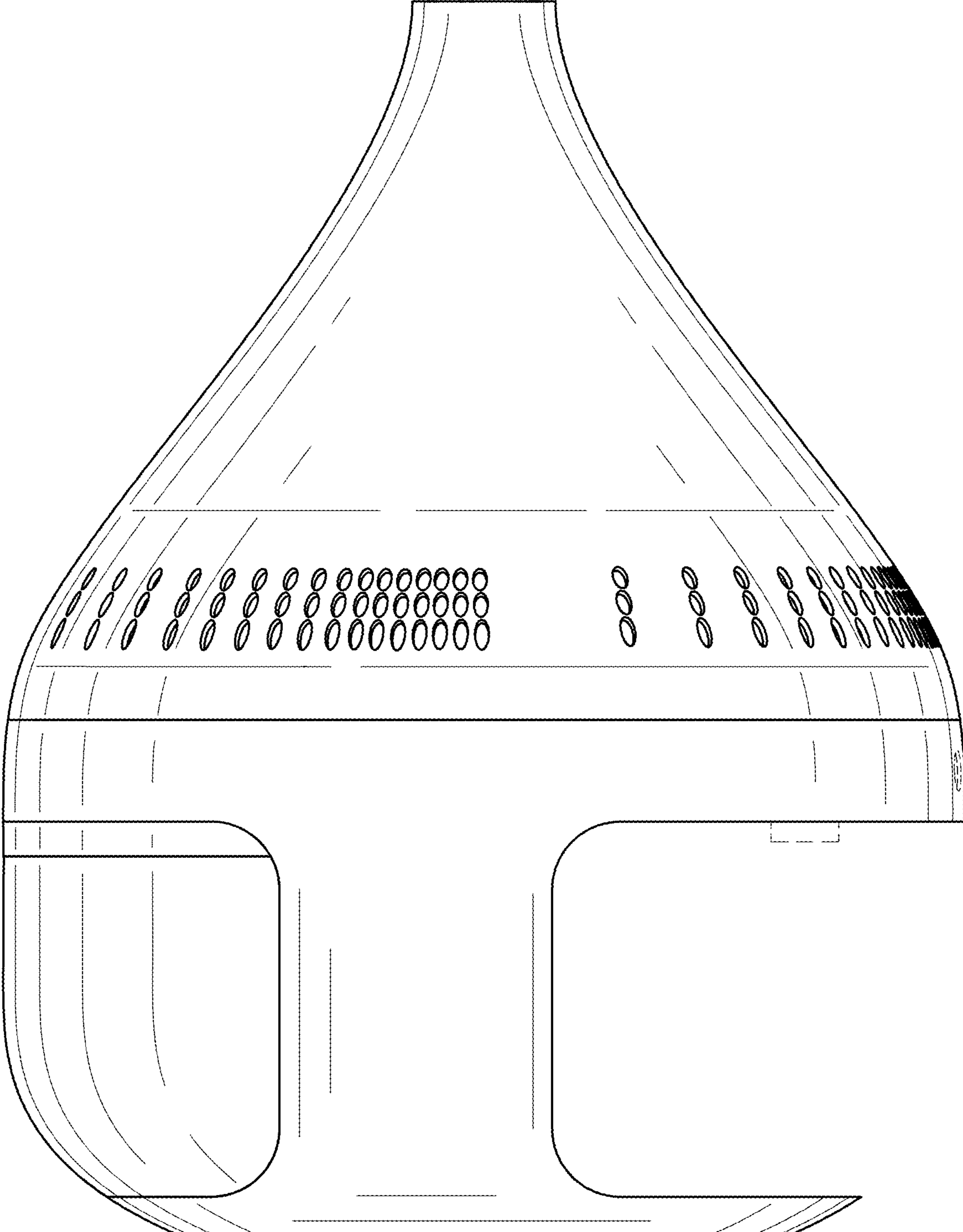


FIG. 5

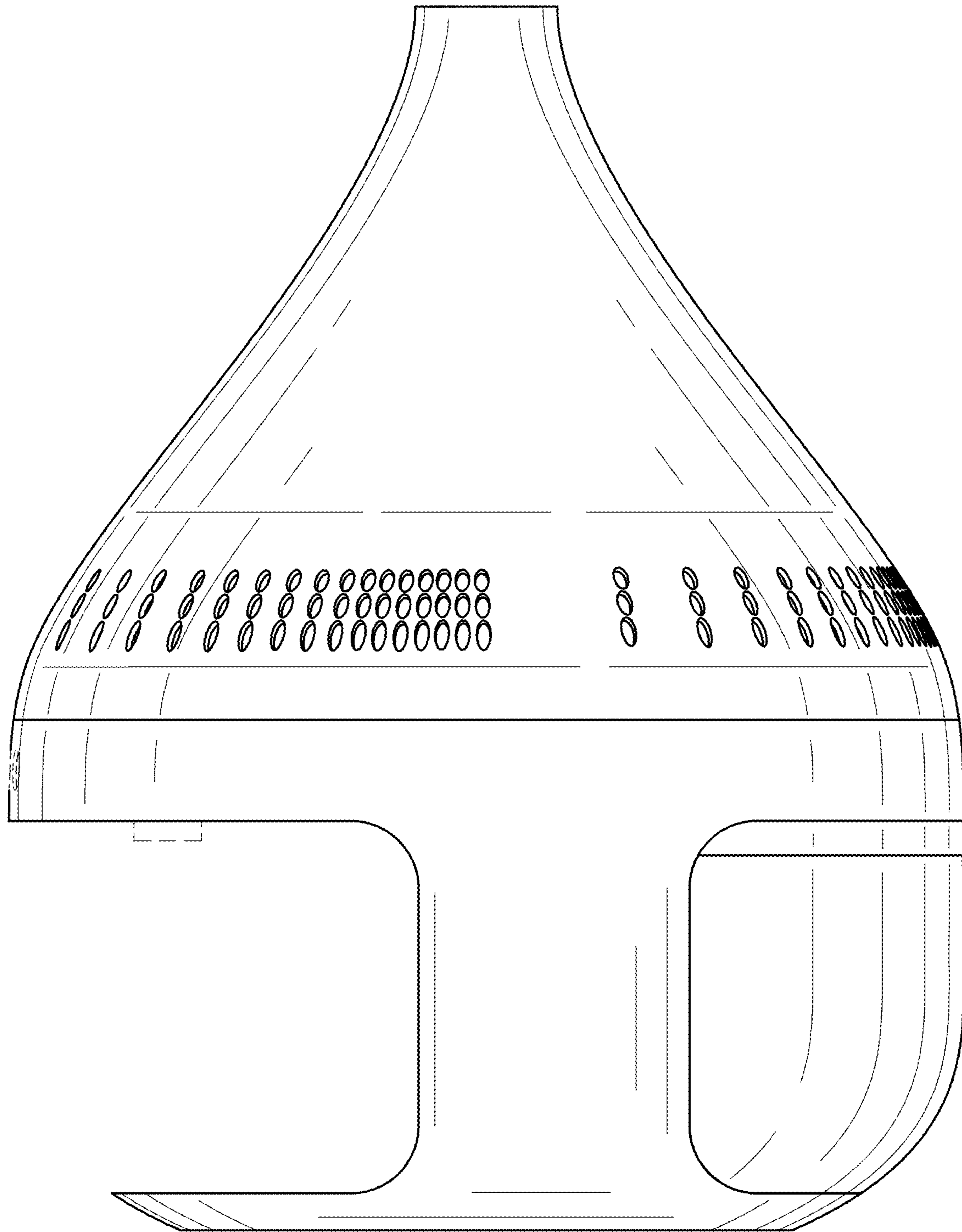


FIG. 6

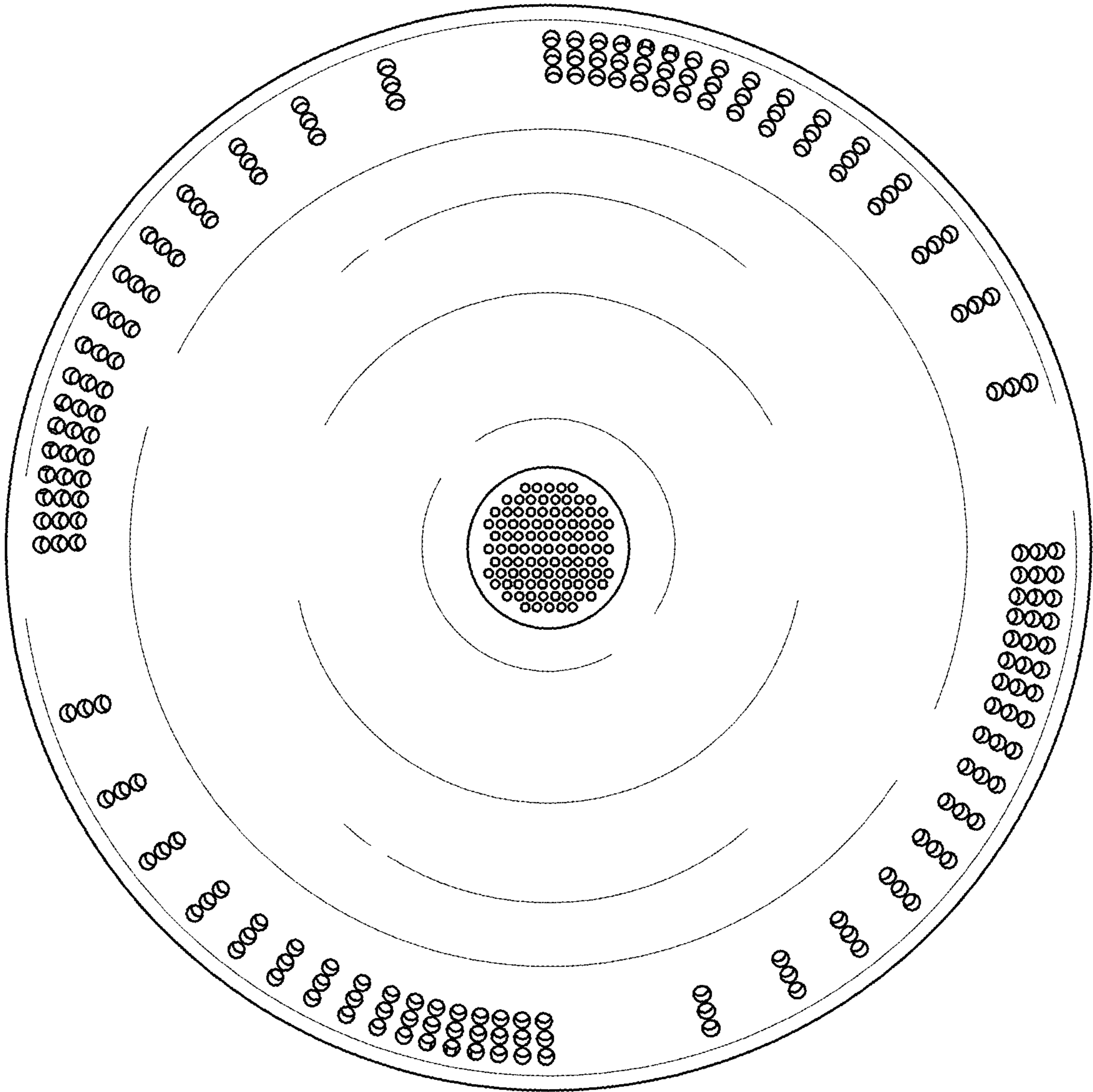


FIG. 7

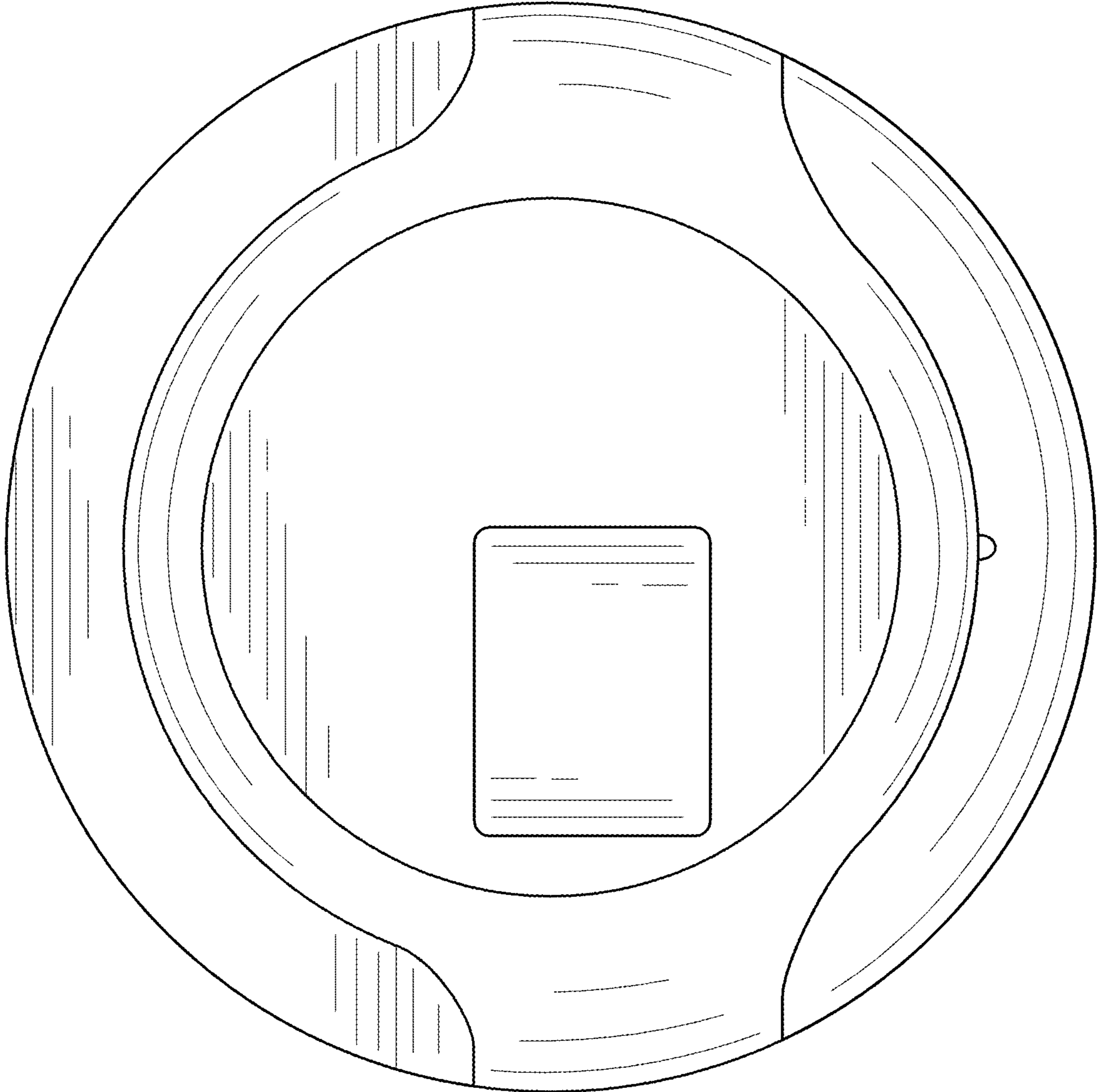


FIG. 8