

US00D979025S

(12) **United States Design Patent**
Long

(10) **Patent No.:** **US D979,025 S**

(45) **Date of Patent:** **** Feb. 21, 2023**

(54) **HUMIDIFIER**

(71) Applicant: **Shenzhen Aspron Technology Company Limited, Shenzhen (CN)**

(72) Inventor: **Rong Long, Shenzhen (CN)**

(73) Assignee: **Shenzhen Aspron Technology Company Limited, Shenzhen (CN)**

(**) Term: **15 Years**

(21) Appl. No.: **29/778,972**

(22) Filed: **Apr. 15, 2021**

(30) **Foreign Application Priority Data**

Mar. 2, 2021 (CN) 202130113222.5

(51) **LOC (14) Cl.** **23-04**

(52) **U.S. Cl.**
USPC **D23/356**

(58) **Field of Classification Search**
USPC D23/355-366, 352, 369, 332, 333, 335,
D23/336, 342, 351
CPC .. A61L 9/16; A61L 9/22; B01D 47/00; B01D
47/027; B01D 2221/02; B01D 2259/4508;
B03C 3/155; B03C 3/368; F24F 3/16;
F24F 13/20; F24F 13/28
See application file for complete search history.

(56) **References Cited**

U.S. PATENT DOCUMENTS

D374,480 S * 10/1996 Micoley D23/358
D376,419 S * 12/1996 Seaman D23/358
D393,703 S * 4/1998 Gilbertson D23/355

D402,744 S * 12/1998 Zuege D23/358
D408,511 S * 4/1999 Allen D23/358
D419,658 S * 1/2000 Matchett D23/358
D425,975 S * 5/2000 Wolfe D23/358
D595,827 S * 7/2009 Satou D23/364
D886,269 S * 6/2020 Sakamoto D23/356
D899,571 S * 10/2020 Li D23/359
D948,017 S * 4/2022 Chen D23/364

* cited by examiner

Primary Examiner — David G Muller

(74) *Attorney, Agent, or Firm* — ScienBiziP, P.C.

(57) **CLAIM**

The ornamental design for a humidifier, as shown and described.

DESCRIPTION

FIG. 1 is a front perspective view of a humidifier showing my design.

FIG. 2 is a front elevation view of a humidifier in FIG. 1.

FIG. 3 is a rear elevation view of a humidifier in FIG. 1.

FIG. 4 is a left side elevation view of a humidifier in FIG. 1.

FIG. 5 is a right side elevation view of a humidifier in FIG. 1.

FIG. 6 is a top plan view of a humidifier in FIG. 1.

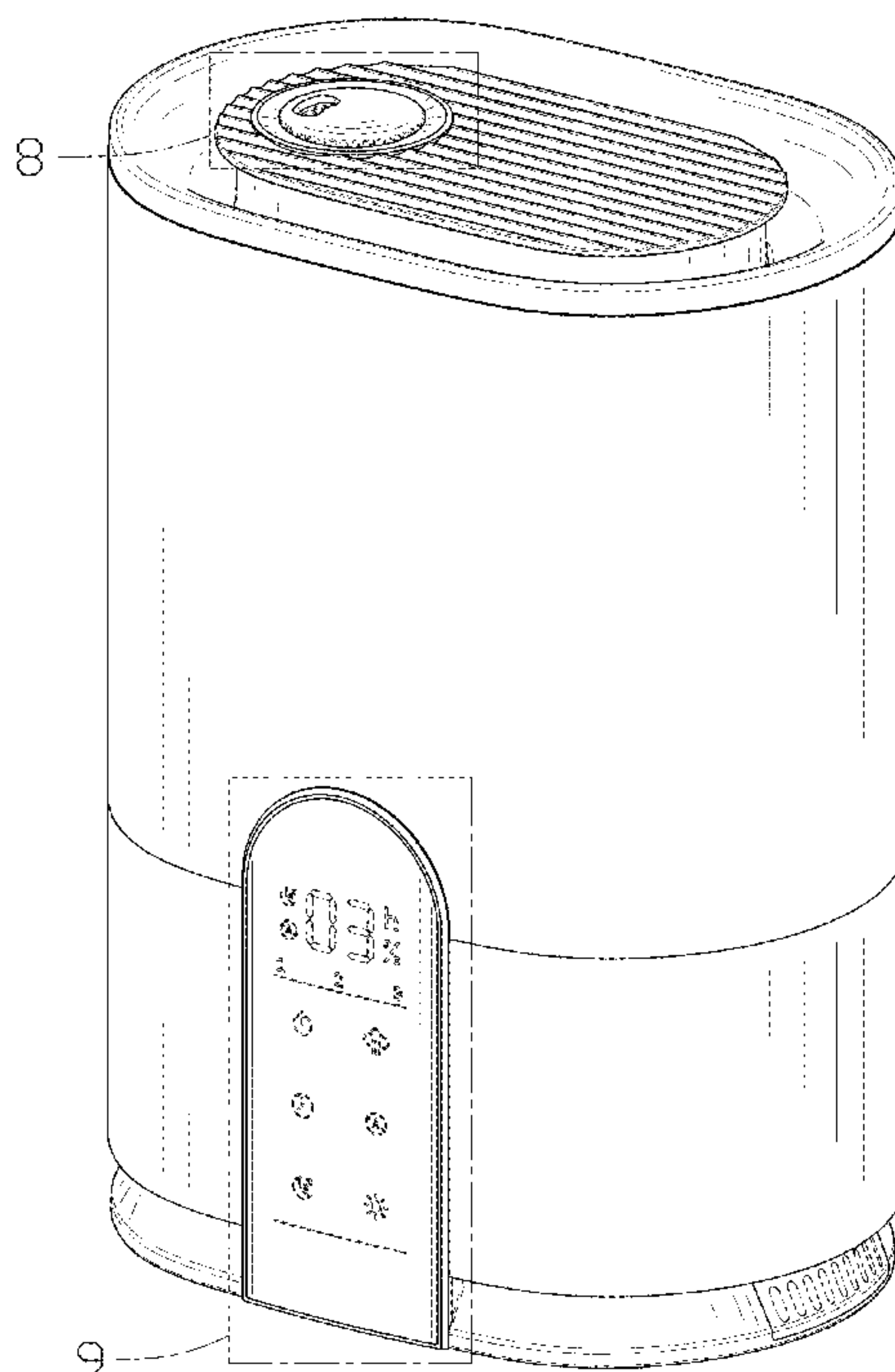
FIG. 7 is a bottom plan view of a humidifier in FIG. 1.

FIG. 8 is an enlarged view of a portion of the humidifier labeled 8 in FIG. 1; and,

FIG. 9 is an enlarged view of a portion of the humidifier labeled 9 in FIG. 1.

The broken lines in the drawings are employed to show unclaimed portions of the humidifier, and form no part of the claimed design.

1 Claim, 9 Drawing Sheets



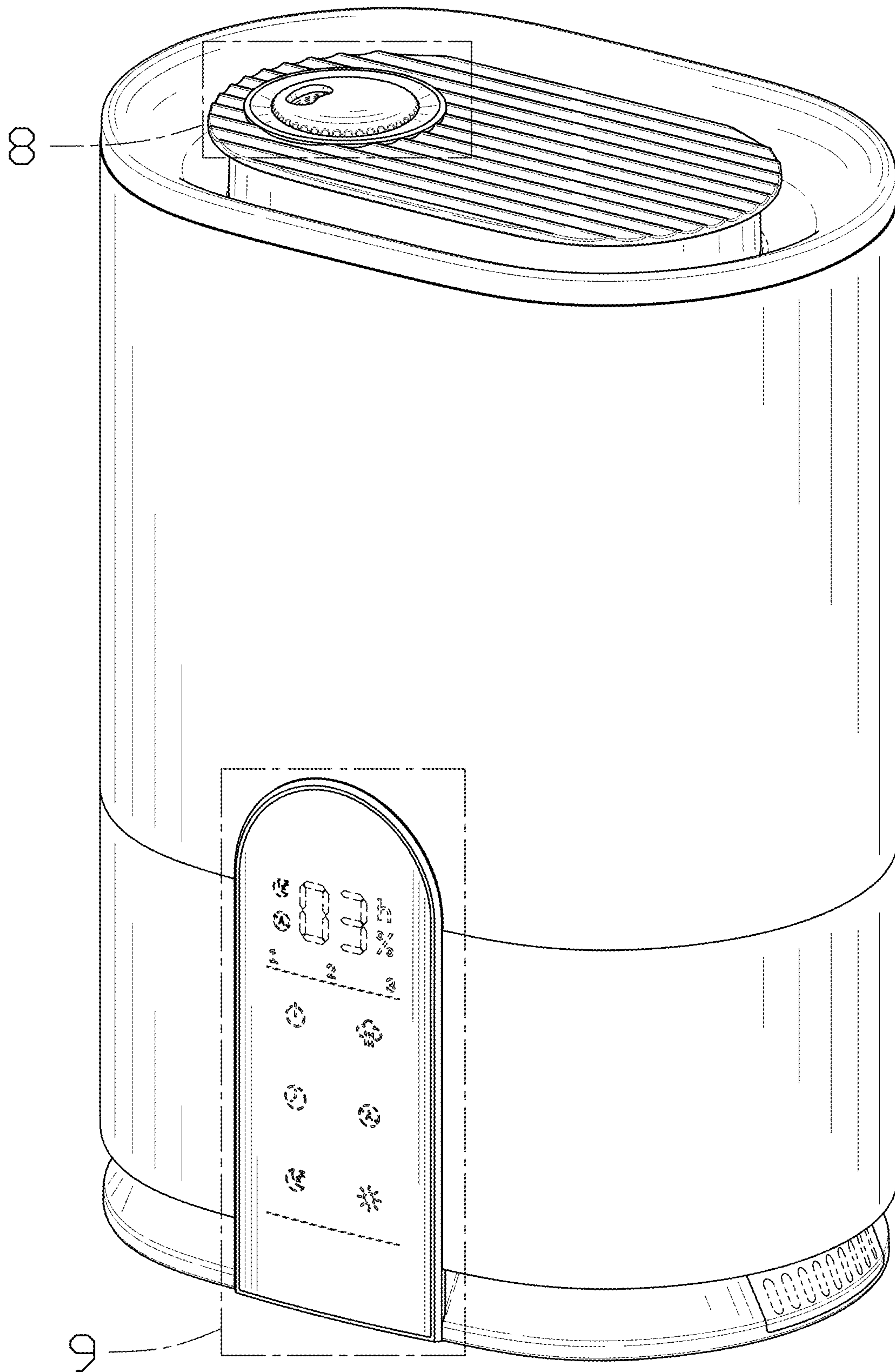


FIG. 1

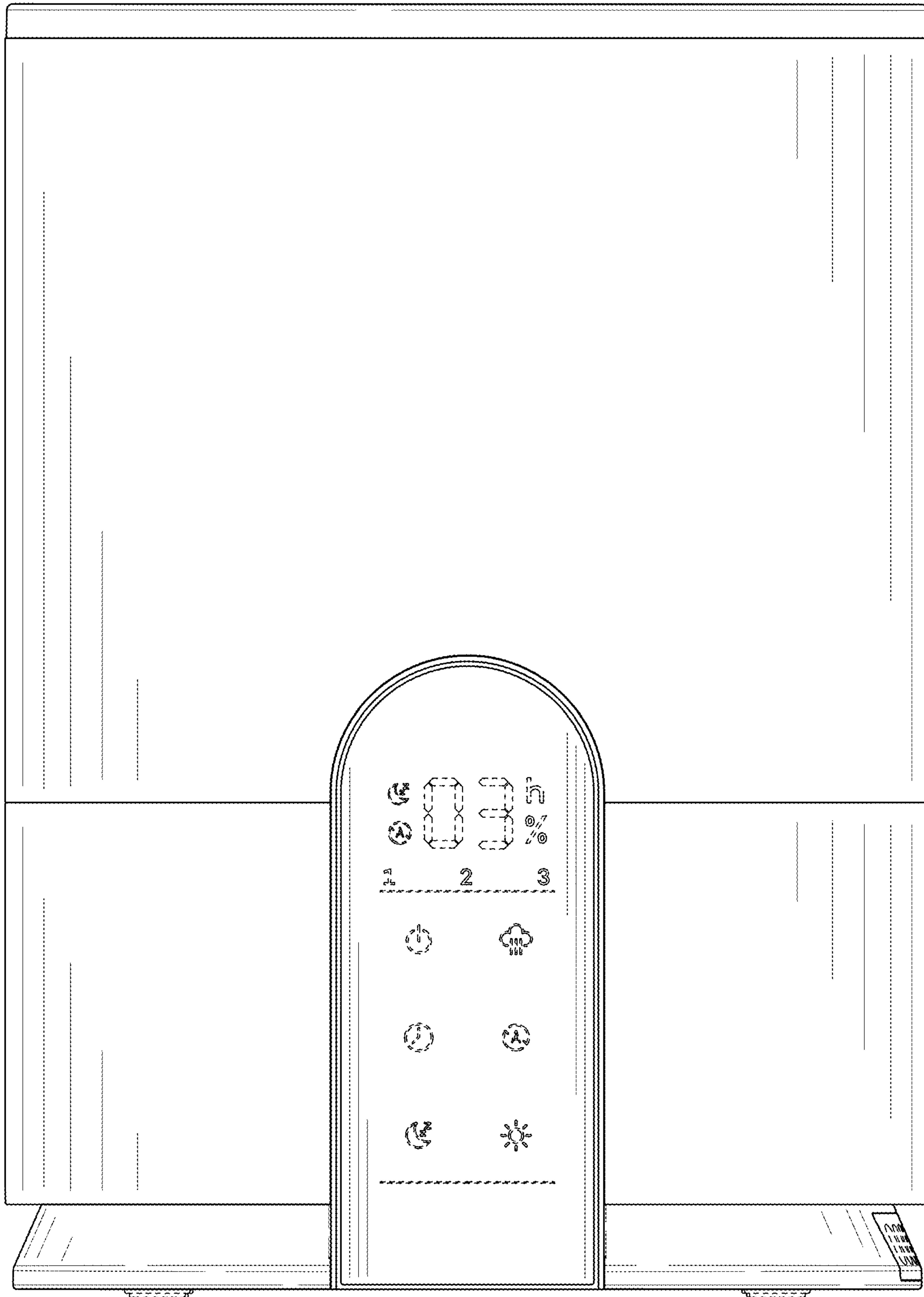


FIG. 2

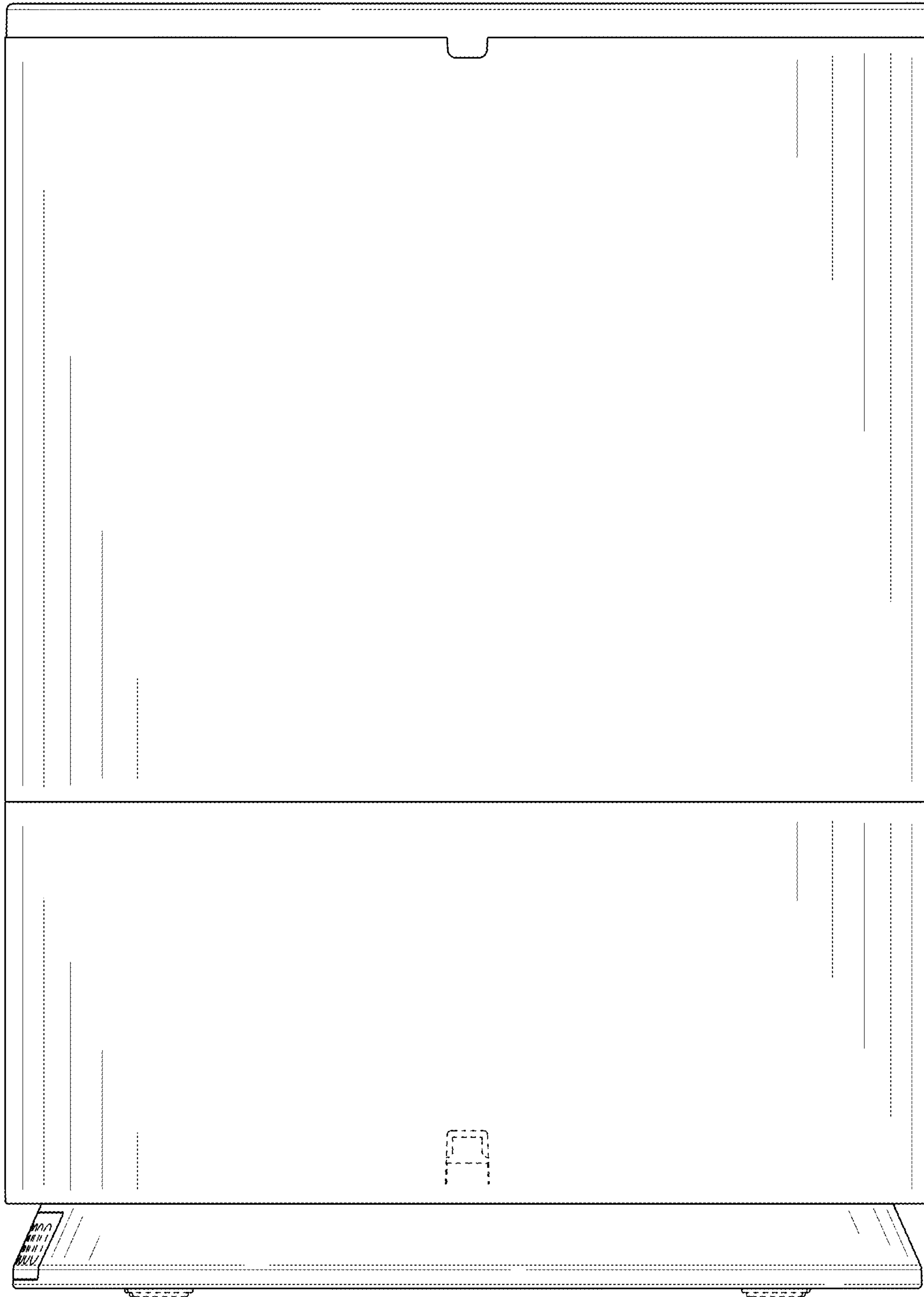


FIG. 3

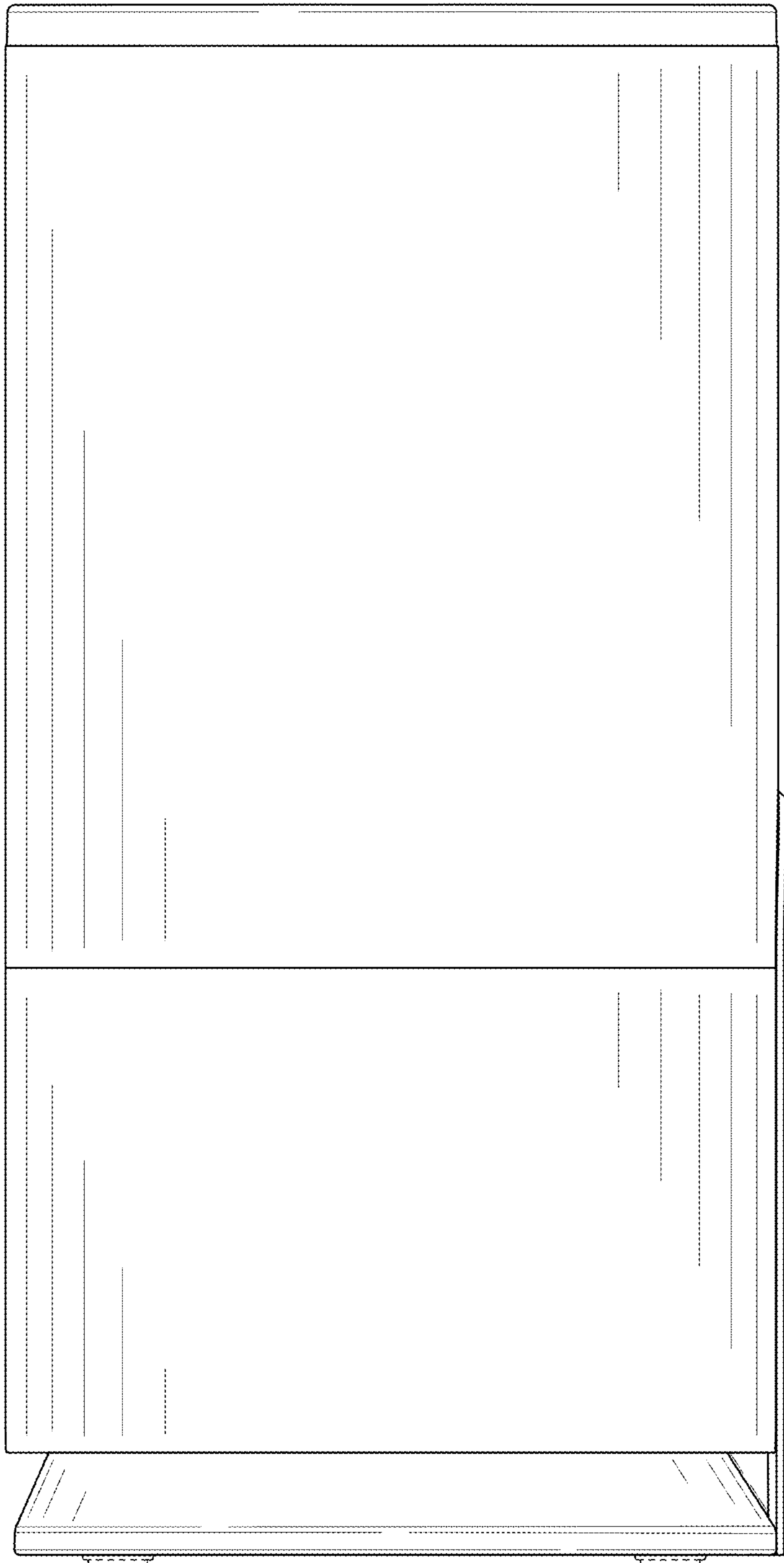


FIG. 4

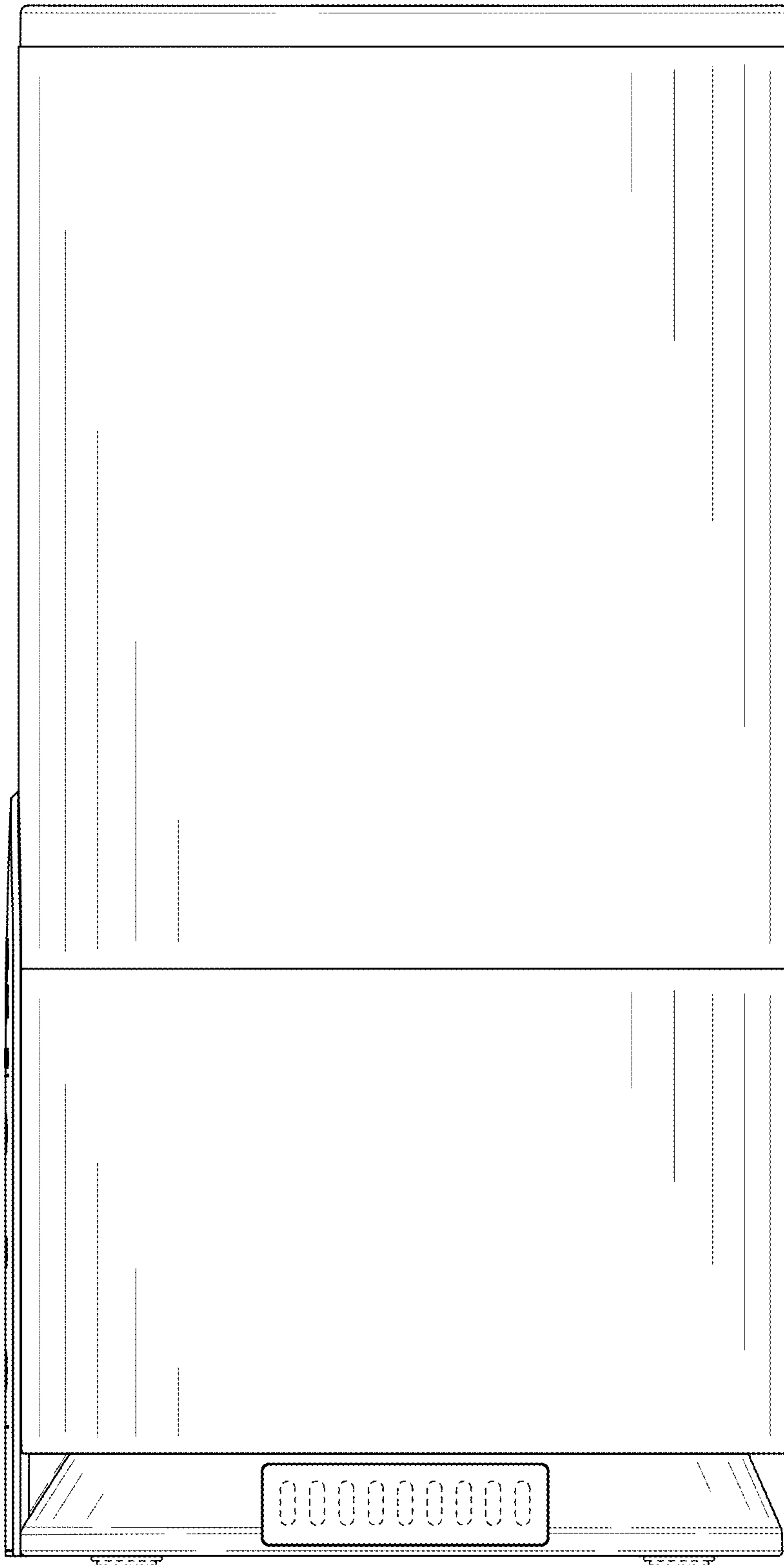


FIG. 5

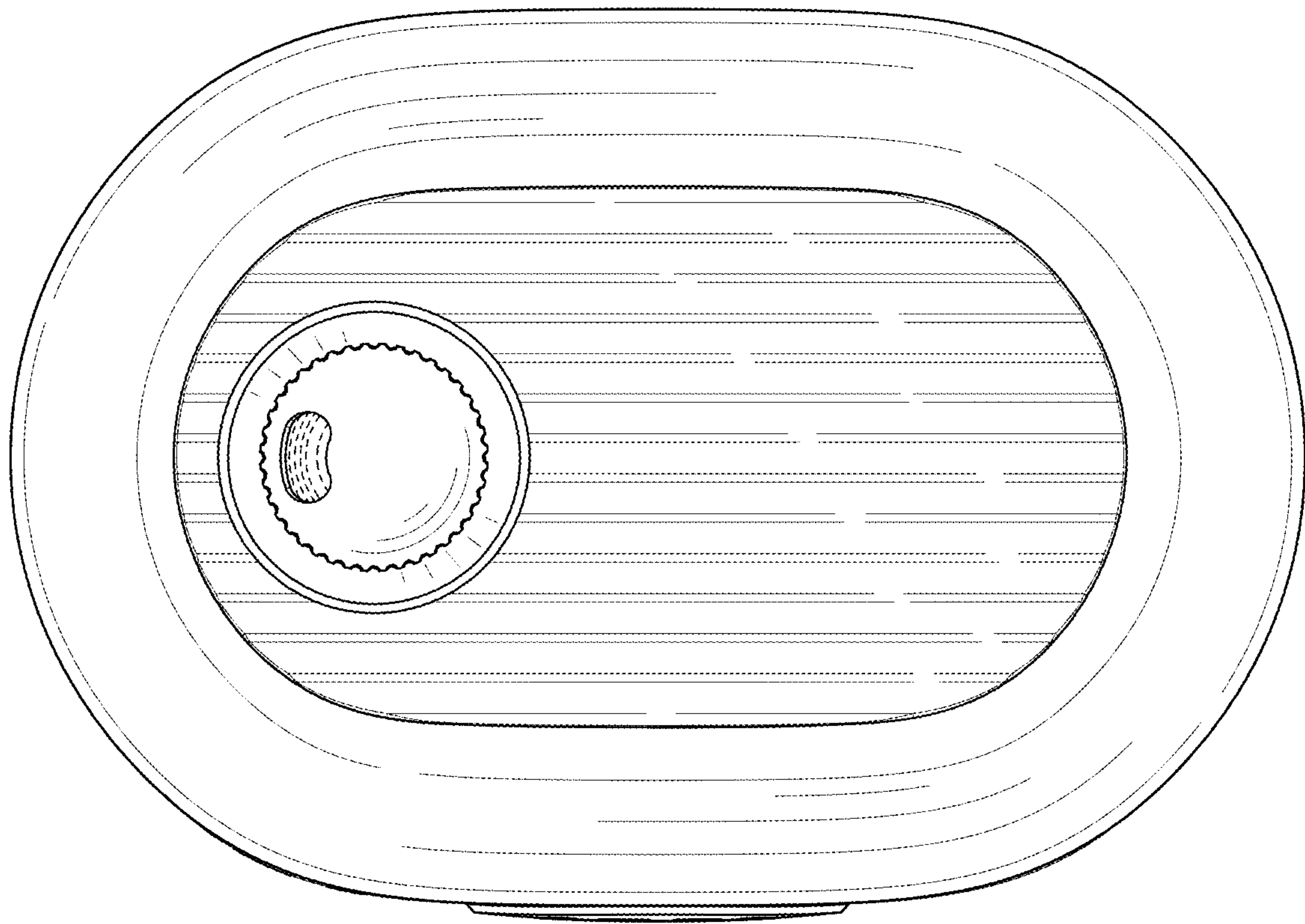


FIG. 6

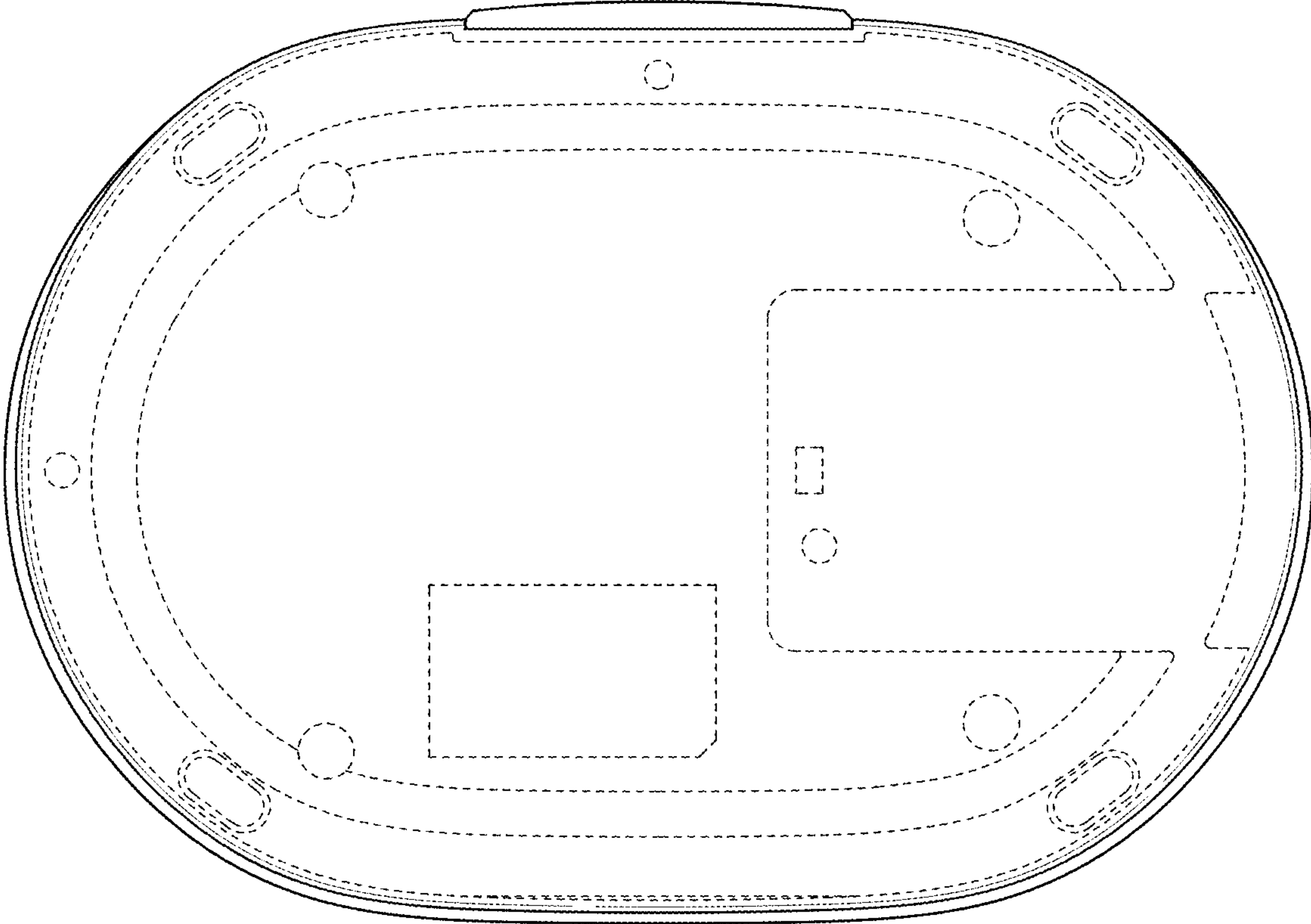


FIG. 7

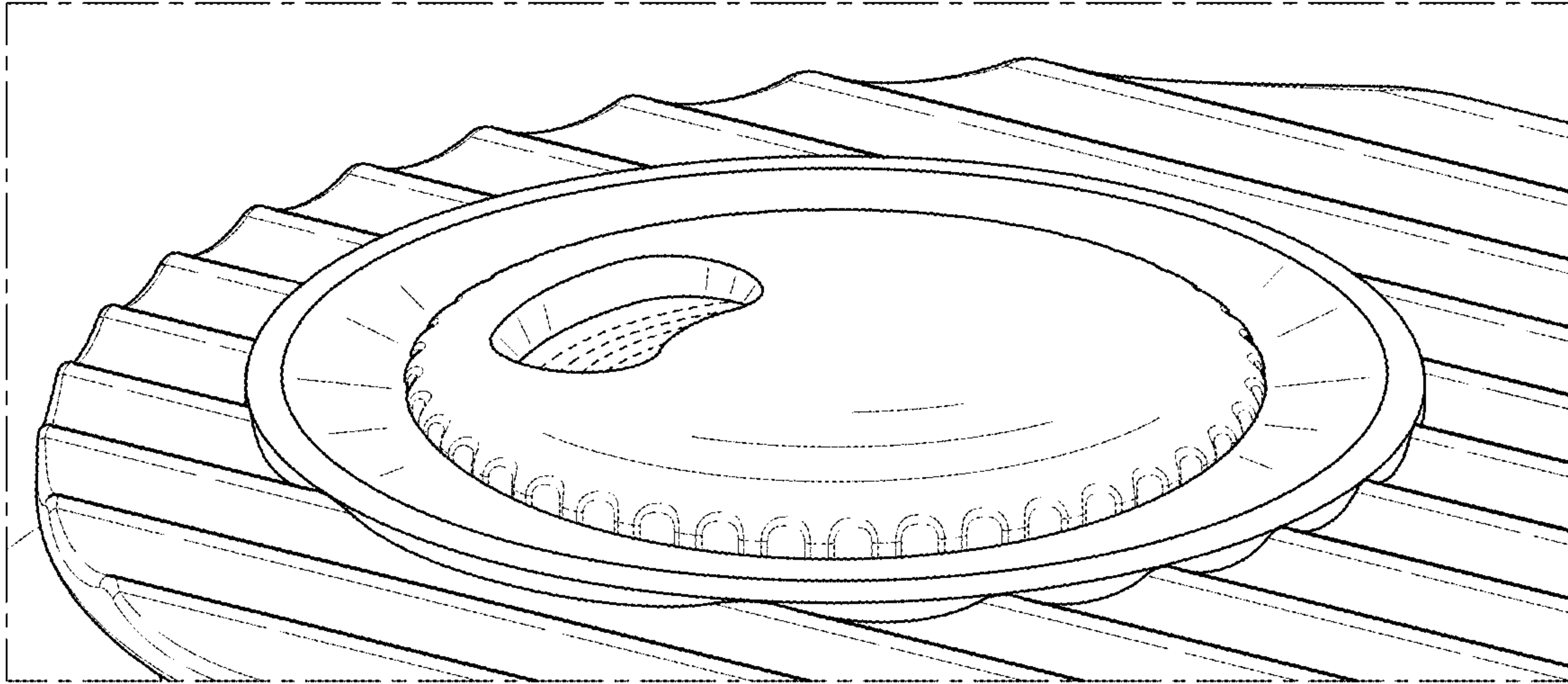


FIG. 8

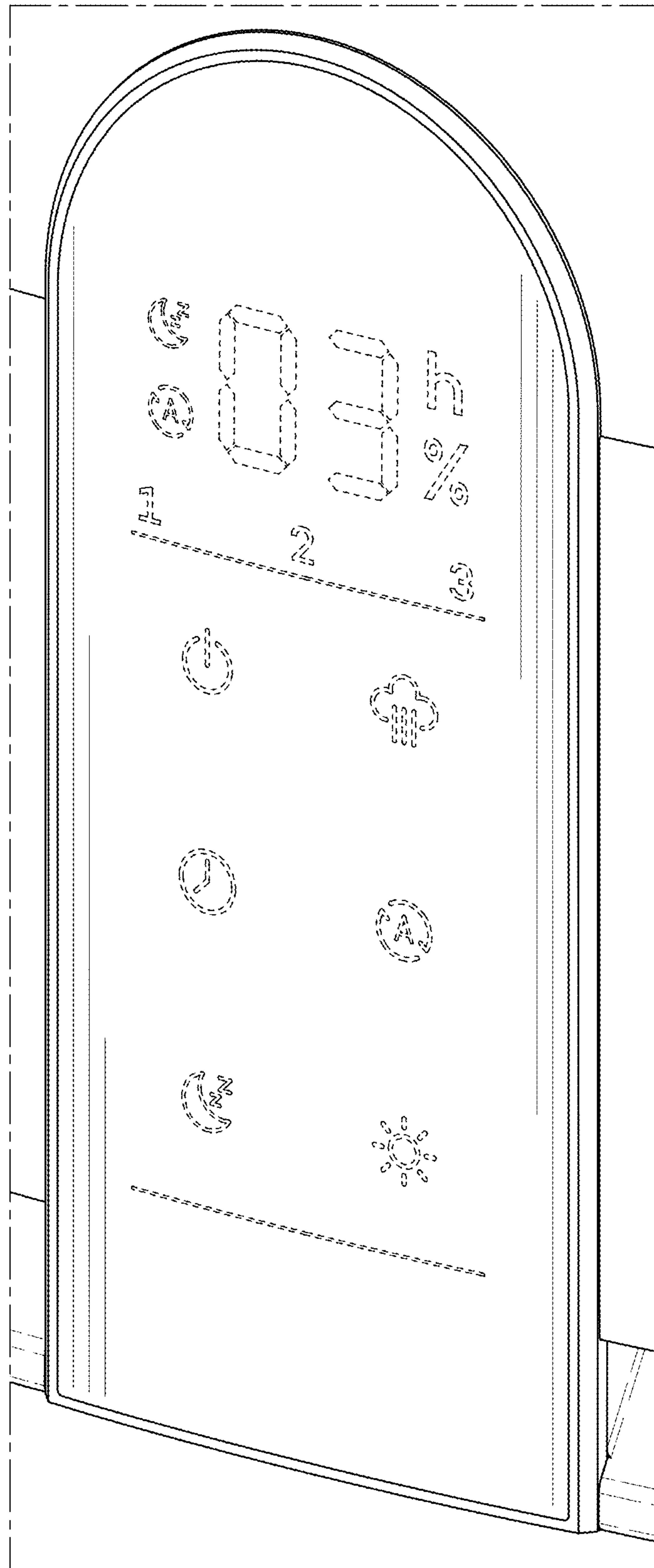


FIG. 9