

US00D979022S

(12) **United States Design Patent** (10) **Patent No.:** **US D979,022 S**  
**Pan** (45) **Date of Patent:** **\*\* Feb. 21, 2023**

(54) **RADIATOR**

(71) Applicant: **SHENZHEN ULIKE SMART ELECTRONICS CO., LTD.**, Guangdong (CN)

(72) Inventor: **Yuping Pan**, Guangdong (CN)

(73) Assignee: **SHENZHEN ULIKE SMART ELECTRONICS CO., LTD.**, Shenzhen (CN)

(\*\*) Term: **15 Years**

(21) Appl. No.: **29/767,884**

(22) Filed: **Jan. 26, 2021**

(30) **Foreign Application Priority Data**

Oct. 28, 2020 (CN) ..... 202030644875.1

(51) **LOC (14) Cl.** ..... **23-03**

(52) **U.S. Cl.**  
USPC ..... **D23/323**

(58) **Field of Classification Search**  
USPC ..... D12/164-166; D23/323; D24/133, 209; D28/44.1, 49-54; D13/124  
CPC .... F28F 9/001; F28D 1/05366; F28D 1/0435; A61B 2018/00476; A61B 2018/0047; A61B 2018/202; A61B 2018/203; A45D 26/00; A45D 26/000004  
See application file for complete search history.

(56) **References Cited**

**U.S. PATENT DOCUMENTS**

D484,468 S \* 12/2003 Lee ..... D13/179  
D604,256 S \* 11/2009 Liu ..... D13/180  
D694,890 S \* 12/2013 Bott ..... D24/172  
D726,111 S \* 4/2015 Tanaka ..... D13/124

D827,795 S \* 9/2018 Junfeng ..... D23/323  
10,661,650 B2 \* 5/2020 Shiheiber ..... B60K 11/04  
D931,337 S \* 9/2021 Wettig ..... D15/5  
D958,946 S \* 7/2022 Huan ..... D23/323  
2003/0086454 A1 \* 5/2003 Nagano ..... H01S 5/02423  
372/35  
2022/0192745 A1 \* 6/2022 Pan ..... A61B 18/00  
2022/0282925 A1 \* 9/2022 Daggett ..... F28D 1/0233

**OTHER PUBLICATIONS**

“Zemits Light Expert 2.0 IPL Laser Machine” Zemit., posted date Jun. 27, 2020 [online]. [retrieved on Oct. 6, 2022], Retrieved from the Internet <URL: <https://advance-esthetic.us/zemits-light-expert-2-0-ipl-laser-machine> > (Year: 2020).\*

“Ford Explorer Voltage Regulator” Advance Auto Parts., posted date Dec. 20, 2017 [online], [retrieved on Oct. 6, 2022]. Retrieved from the Internet <URL: <https://shop.advanceautoparts.com/find/ford-explorer-voltage-regulator> > (Year: 2017).\*

\* cited by examiner

*Primary Examiner* — Darlington Ly

*Assistant Examiner* — Nasim Abdulaziz Ali

(74) *Attorney, Agent, or Firm* — Hauptman Ham, LLP

(57) **CLAIM**

The ornamental design for a radiator, as shown and described.

**DESCRIPTION**

FIG. 1 is a front elevation view of a radiator showing my new design;

FIG. 2 is a rear elevation view thereof;

FIG. 3 is a left side elevation view thereof;

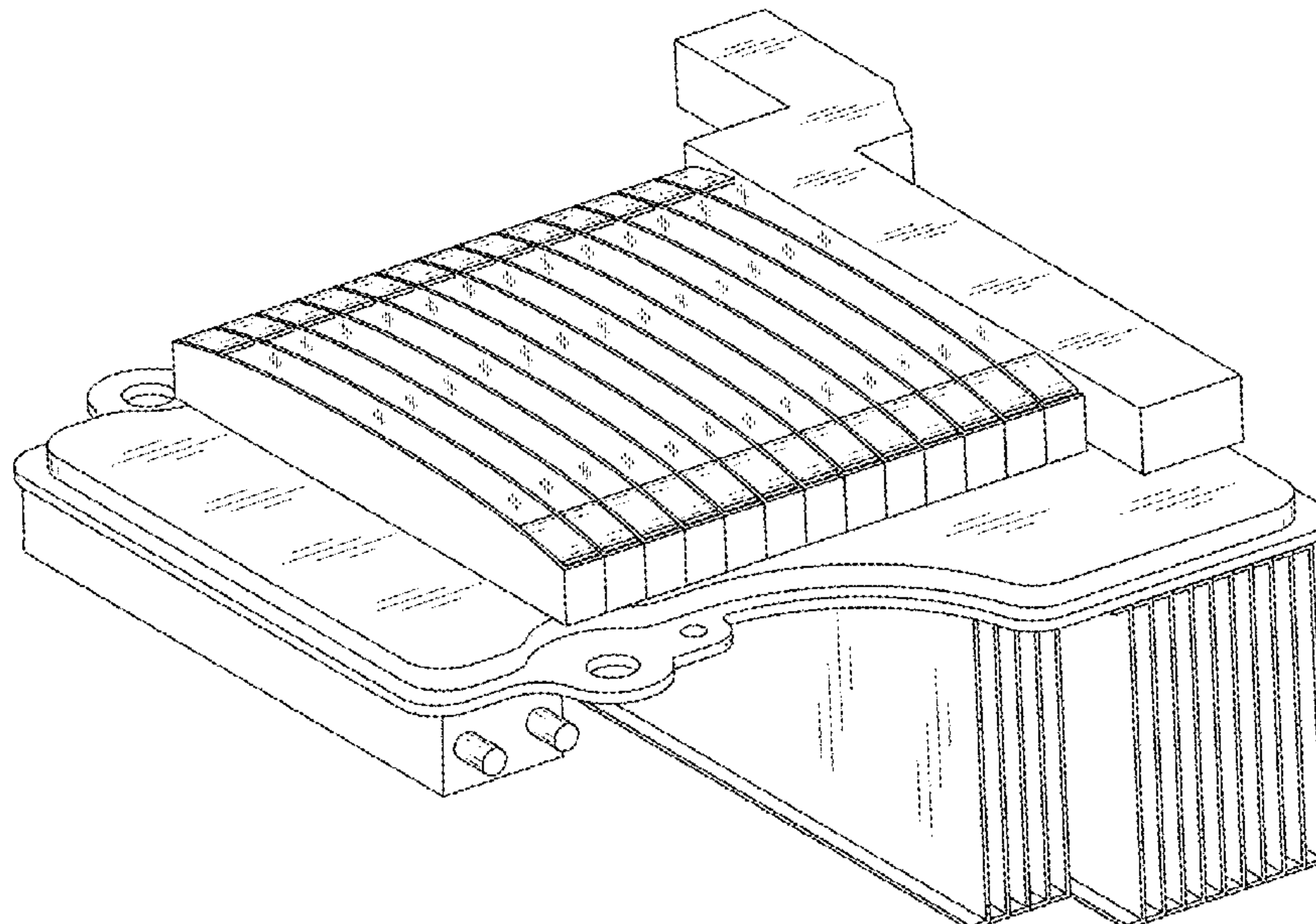
FIG. 4 is a right side elevation view thereof;

FIG. 5 is a top plan view thereof;

FIG. 6 is a bottom plan view thereof; and,

FIG. 7 is a top, front and right side perspective view thereof.

**1 Claim, 7 Drawing Sheets**



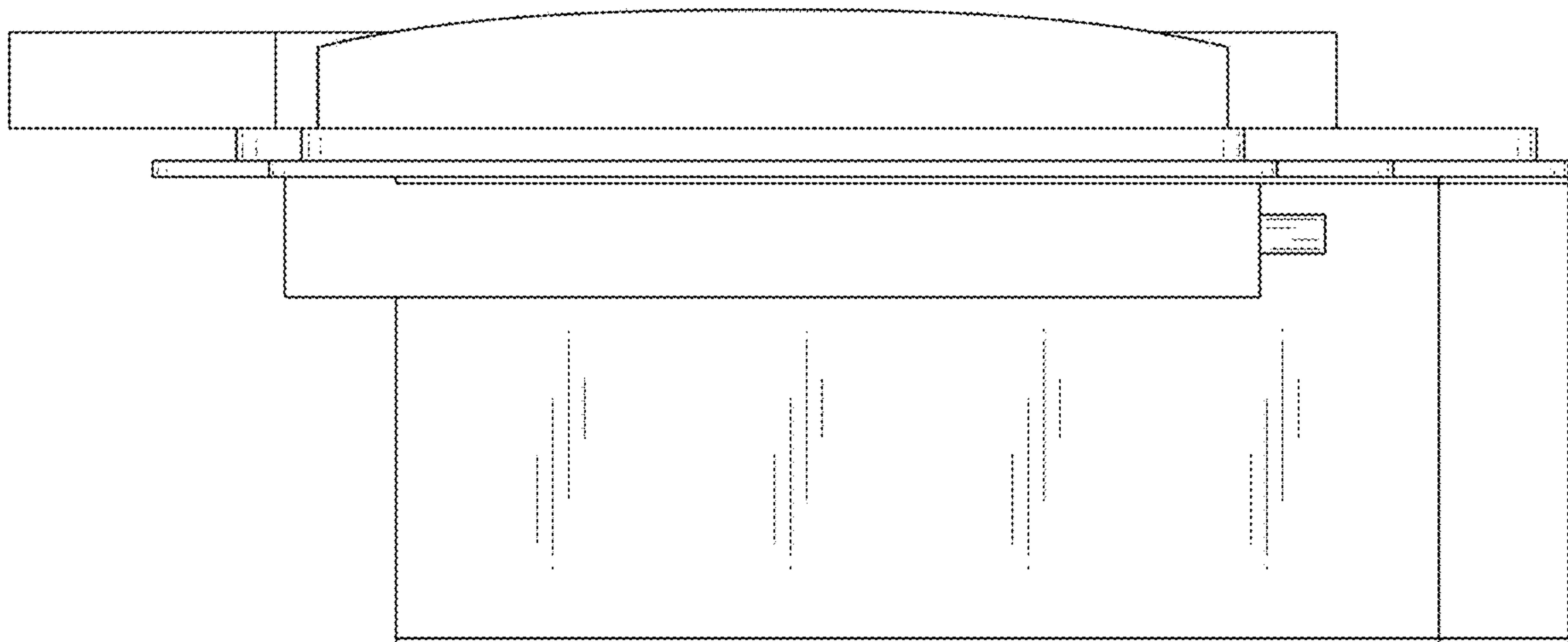


FIG. 1

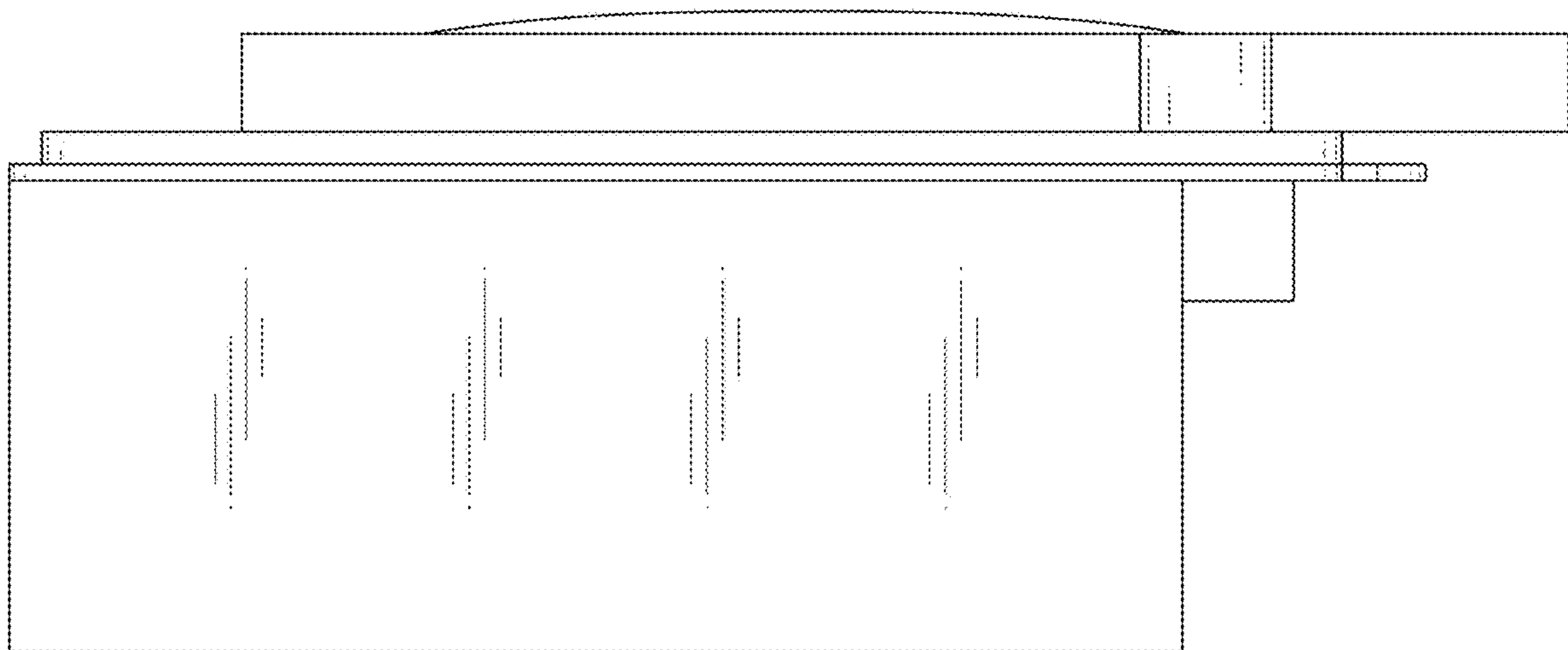


FIG. 2

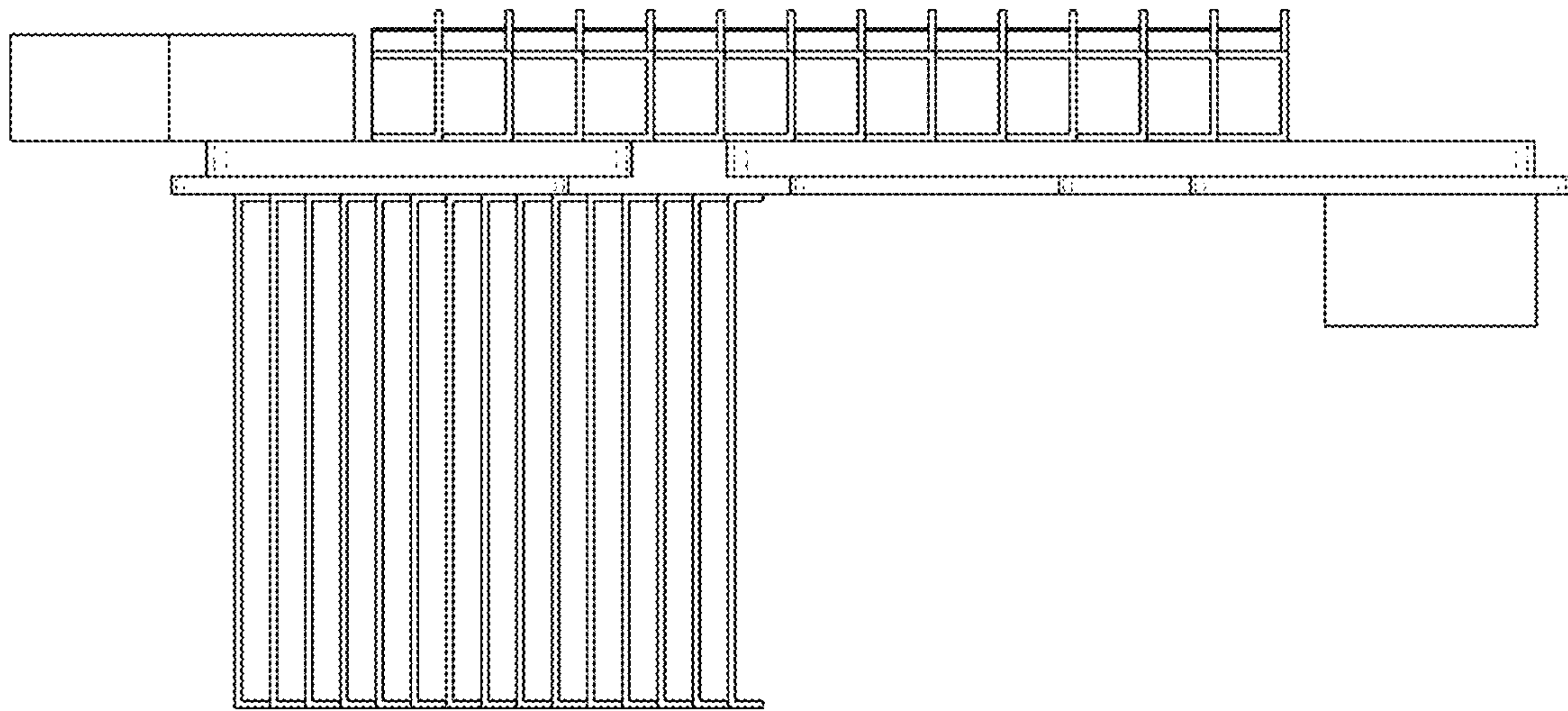


FIG. 3

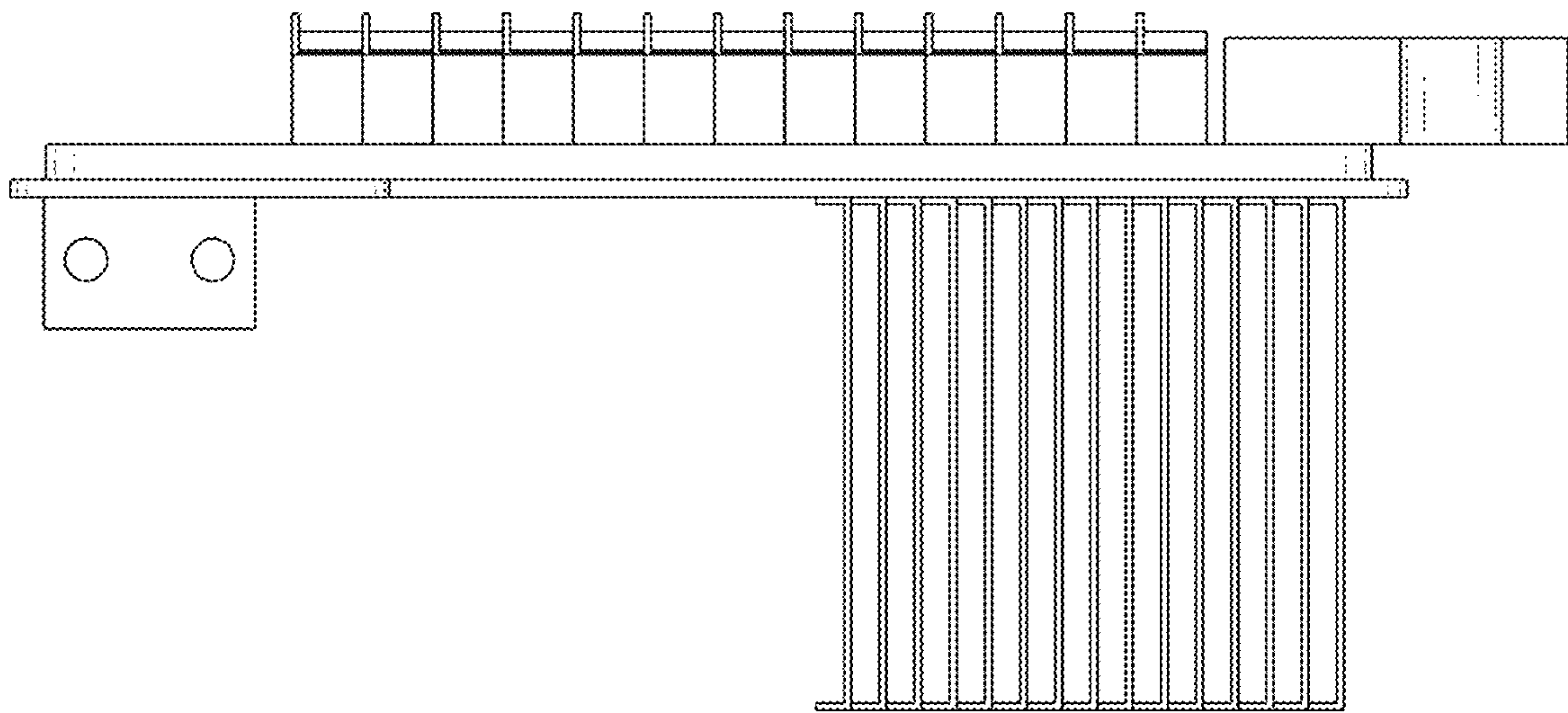


FIG. 4



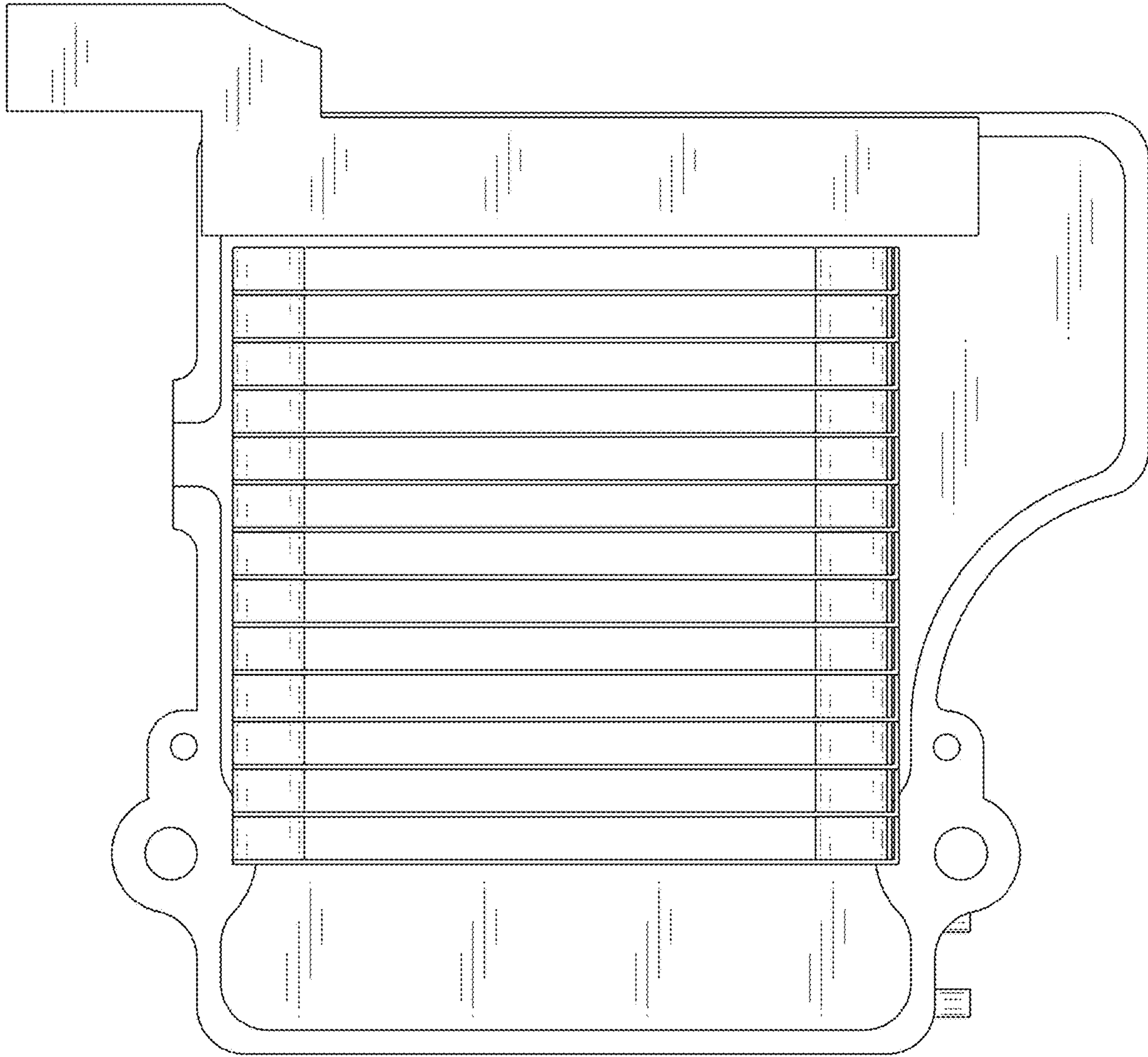


FIG. 5

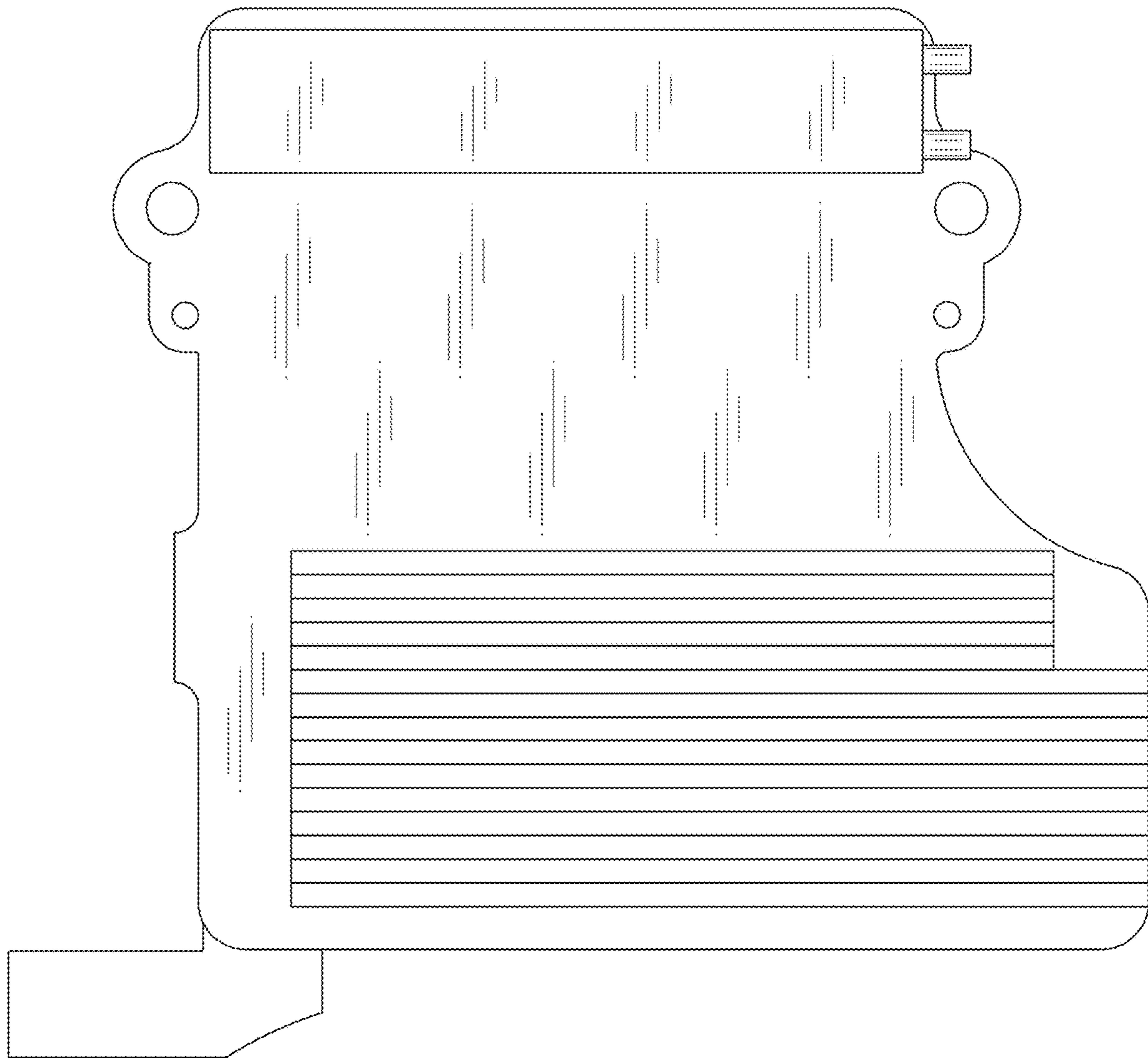


FIG. 6

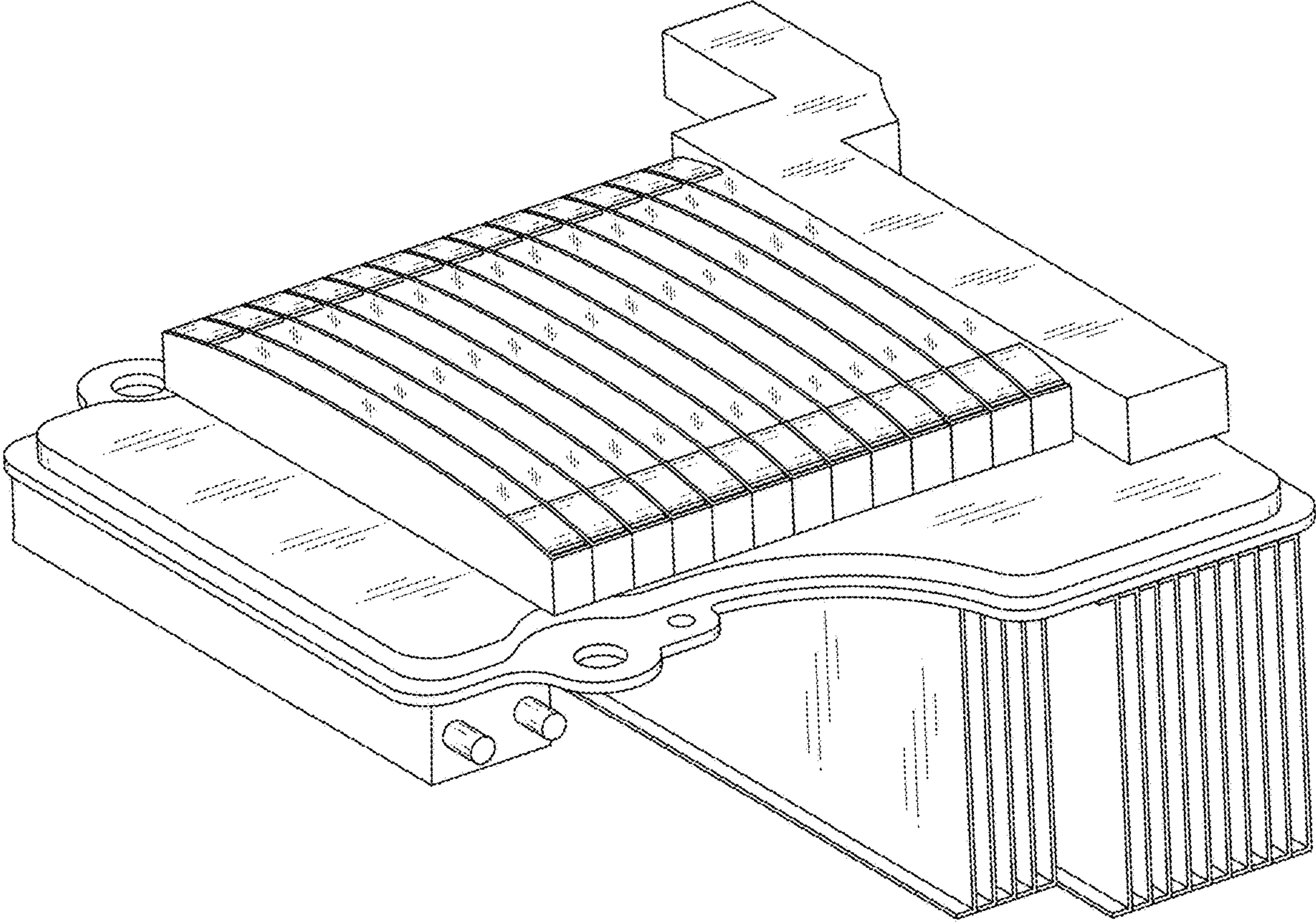


FIG. 7