



US00D979020S

(12) **United States Design Patent** (10) **Patent No.:** **US D979,020 S**
Hu et al. (45) **Date of Patent:** **** Feb. 21, 2023**

(54) **BODY CLEANER**

D897,507 S * 9/2020 Agrawal D23/309
D917,030 S * 4/2021 Yan D23/309
D937,396 S * 11/2021 Yan D23/309

(71) Applicant: **LSCOLO (XIAMEN) HEALTH TECHNOLOGY CO, LTD.**, Fujian (CN)

(Continued)

FOREIGN PATENT DOCUMENTS

(72) Inventors: **Guobing Hu**, Jiangxi (CN); **Gaolin Xiong**, Fujian (CN)

CN 303936282 * 11/2016
CN 303989439 * 12/2016
EM 007970843-0004 * 9/2020

(73) Assignee: **LSCOLO (XIAMEN) HEALTH TECHNOLOGY CO, LTD.**, Xiamen (CN)

OTHER PUBLICATIONS

(**) Term: **15 Years**

2 Pack Bidet Toilet Seat Attachment, announced Oct. 23, 2020[online], [site visited Oct. 14, 2022]. Available from internet, URL:<https://www.amazon.com/dp/B082NLQL75> (Year: 2020).*

(Continued)

(21) Appl. No.: **29/783,997**

Primary Examiner — David G Muller
Assistant Examiner — Jamaal Rasheed

(22) Filed: **May 17, 2021**

(57) **CLAIM**

(30) **Foreign Application Priority Data**

The ornamental design for a body cleaner, as shown and described.

Dec. 15, 2020 (CN) 202030771790.X

(51) **LOC (14) Cl.** **23-02**

(52) **U.S. Cl.**
USPC **D23/309**

(58) **Field of Classification Search**
USPC D23/295, 303, 309-311
CPC B05B 9/03; B05B 15/55; E03D 9/005; E03D 9/08

See application file for complete search history.

DESCRIPTION

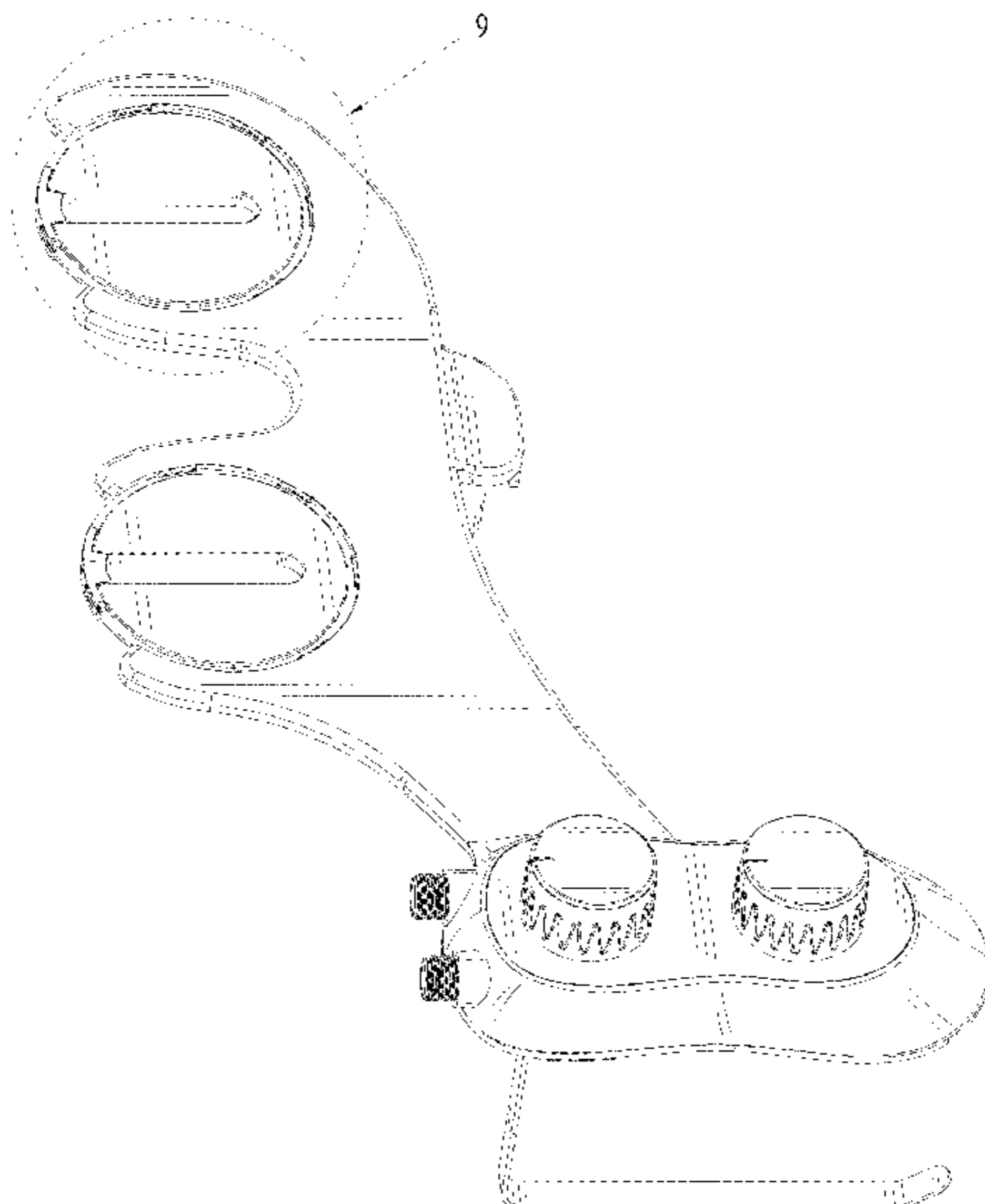
(56) **References Cited**

U.S. PATENT DOCUMENTS

4,383,339 A * 5/1983 Miller E03D 9/08 4/443
D714,428 S * 9/2014 Gupta D23/309
D882,053 S * 4/2020 Gupta D23/309
D885,539 S * 5/2020 Yan D23/309
D889,615 S * 7/2020 Jiang D23/309
D890,314 S * 7/2020 Yan D23/309

FIG. 1 is a perspective view of a body cleaner showing our new design;
FIG. 2 is another perspective view thereof;
FIG. 3 is a front view thereof;
FIG. 4 is a back view thereof;
FIG. 5 is a left view thereof;
FIG. 6 is a right view thereof;
FIG. 7 is a top view thereof;
FIG. 8 is a bottom view thereof;
FIG. 9 is a partially enlarged view of FIG. 1;
FIG. 10 is a partially enlarged view of FIG. 4; and,
FIG. 11 is a partially enlarged view of FIG. 5.
The broken lines in FIG. 5 depict portions of the body cleaner that form no part of the claimed design. The broken lines showing the enlargements in FIGS. 1, 4-5, and 9-11 form no part of the claimed design.

1 Claim, 11 Drawing Sheets



(56)

References Cited

U.S. PATENT DOCUMENTS

2014/0101838 A1* 4/2014 Gupta B05B 15/16
4/448
2018/0209129 A1* 7/2018 He E03D 9/08
2020/0318334 A1* 10/2020 Gupta E03D 9/08
2020/0318335 A1* 10/2020 Gupta B05B 9/03
2021/0040719 A1* 2/2021 Gupta E03D 9/08
2022/0162843 A1* 5/2022 Gupta B05B 9/03

OTHER PUBLICATIONS

Bidet Toilet Seat Attachment, announced Sep. 24, 2018[online],
[site visited Oct. 13, 2022]. Available from internet, URL:<<https://www.amazon.co.uk/dp/B07HMSDVGW>> (Year: 2018).*

* cited by examiner

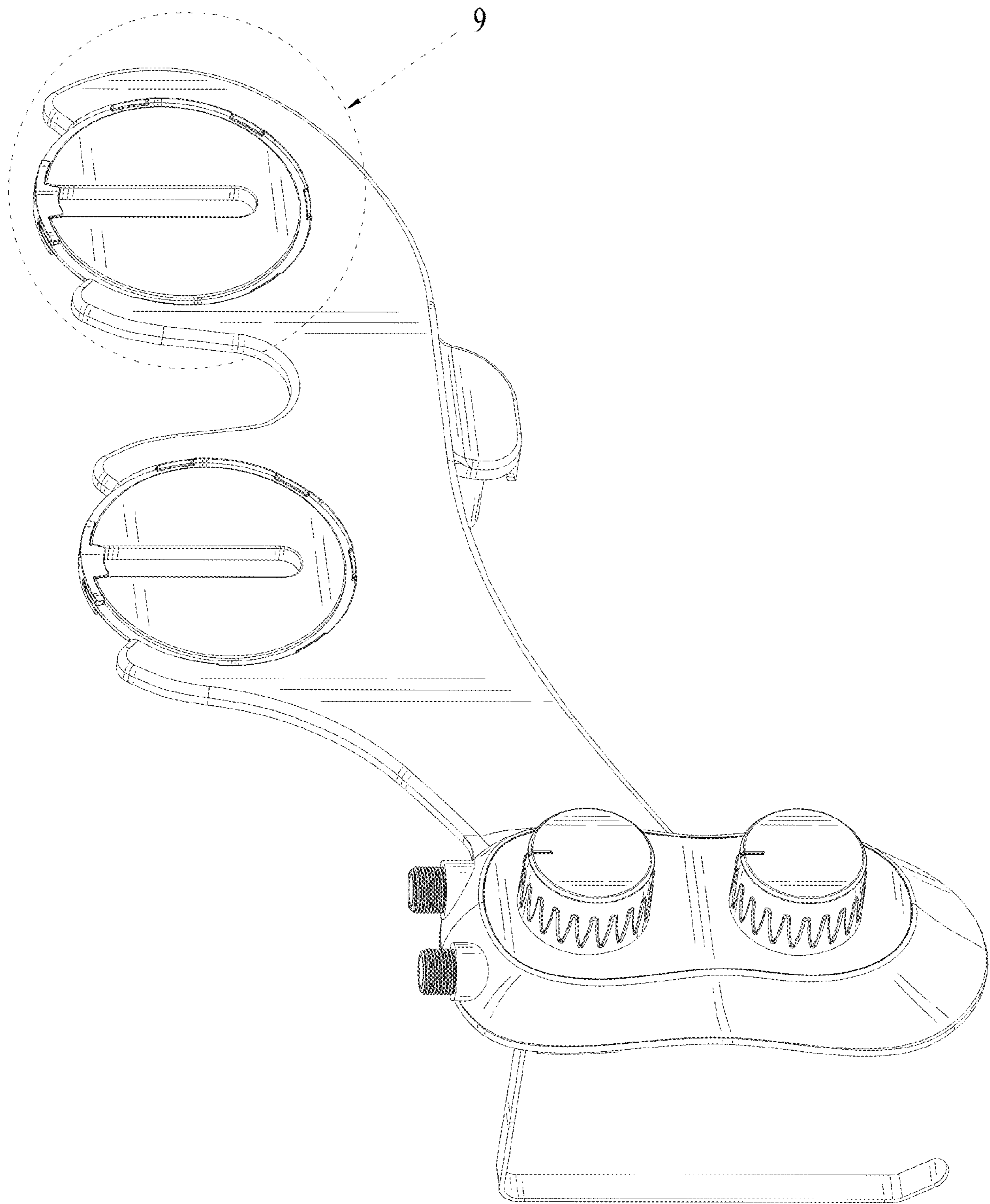


FIG. 1

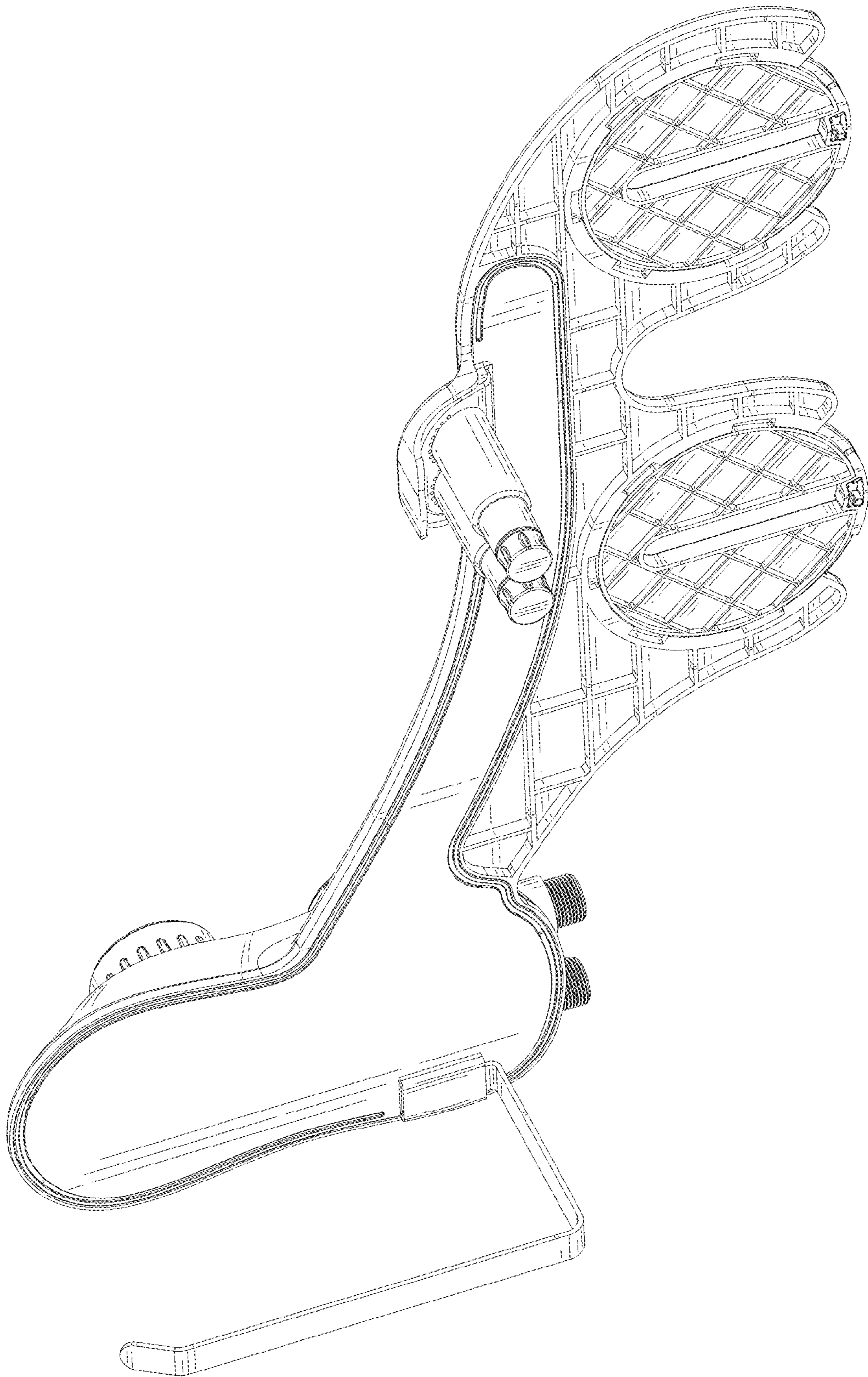


FIG. 2

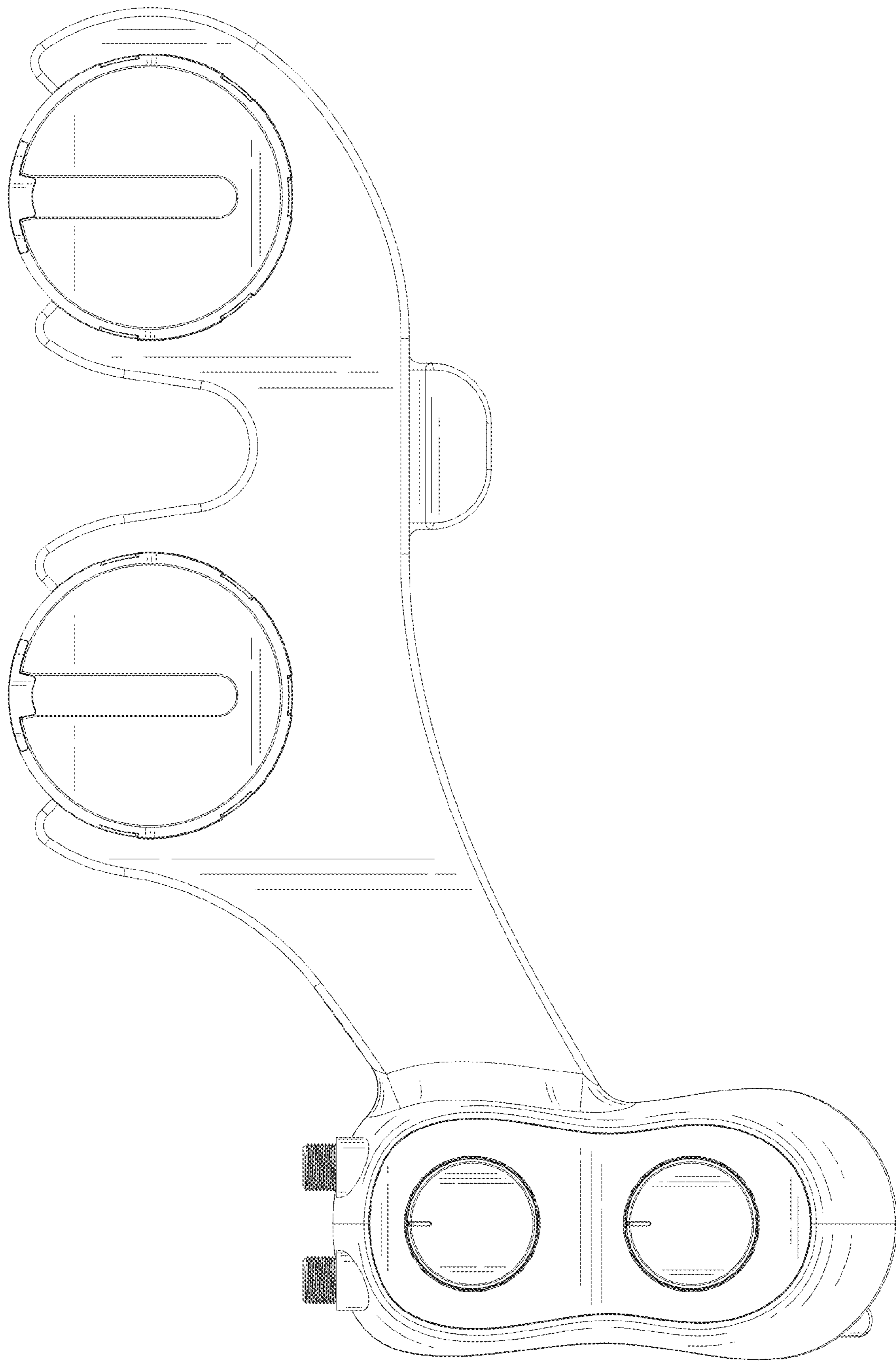


FIG. 3

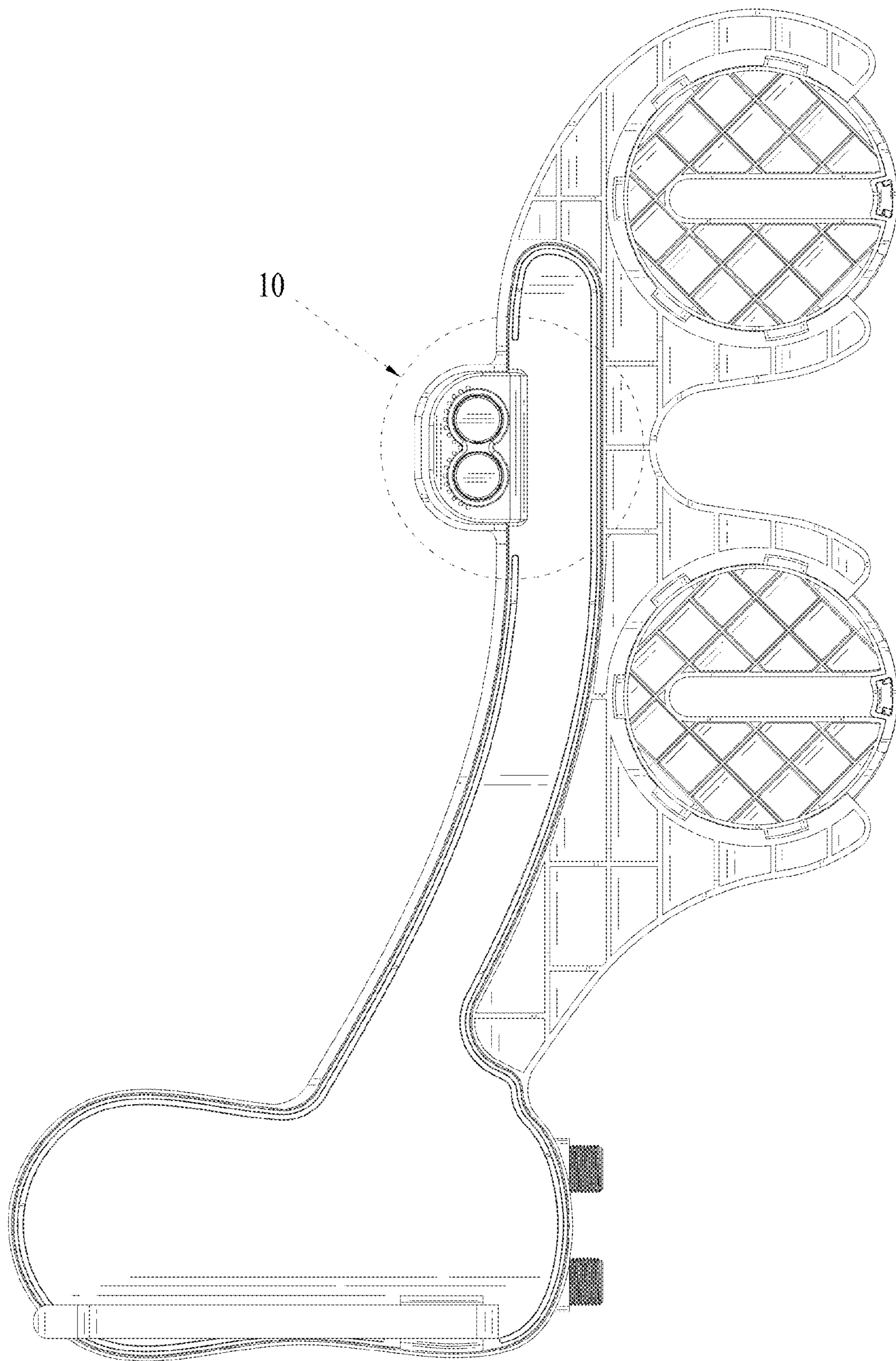


FIG. 4

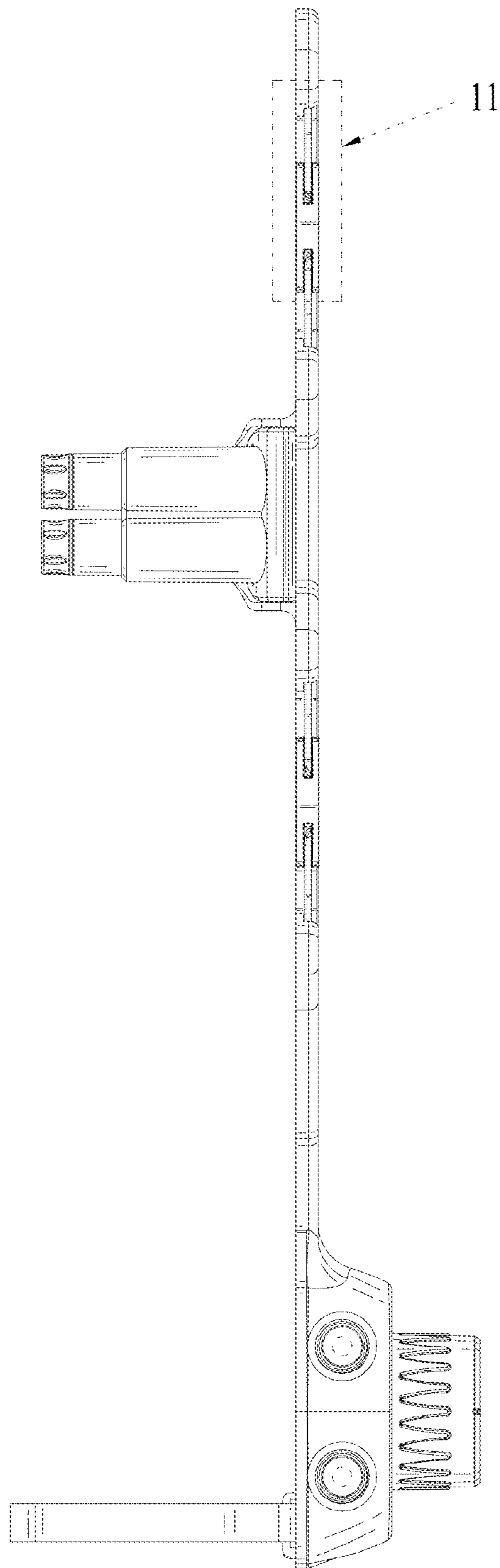


FIG. 5

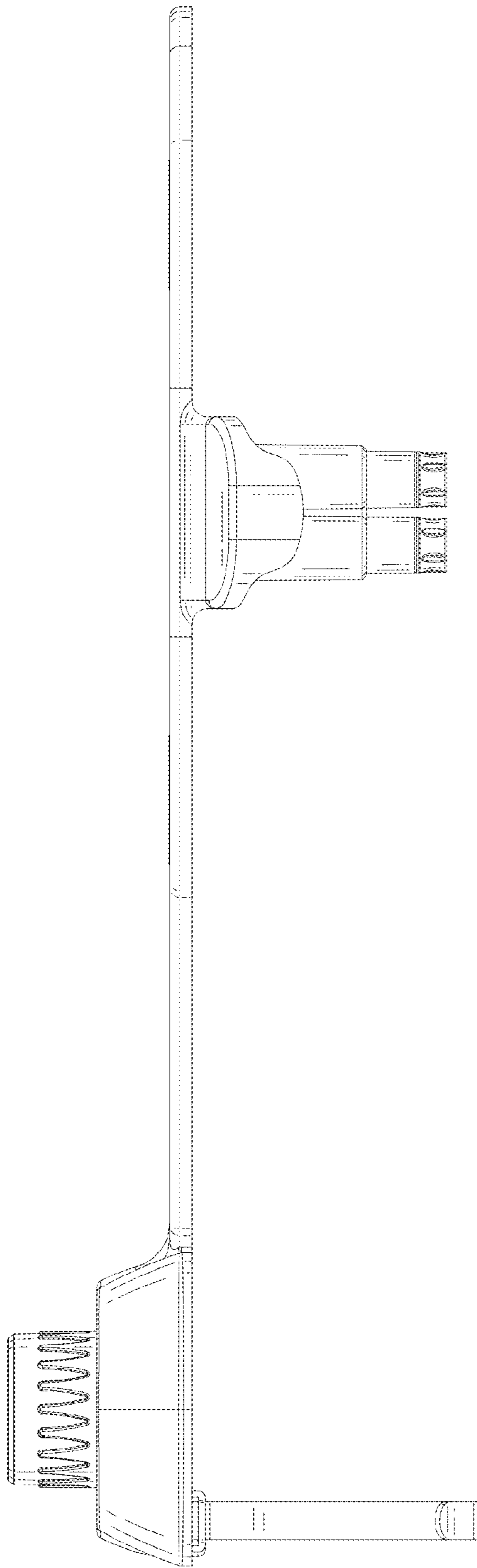


FIG. 6

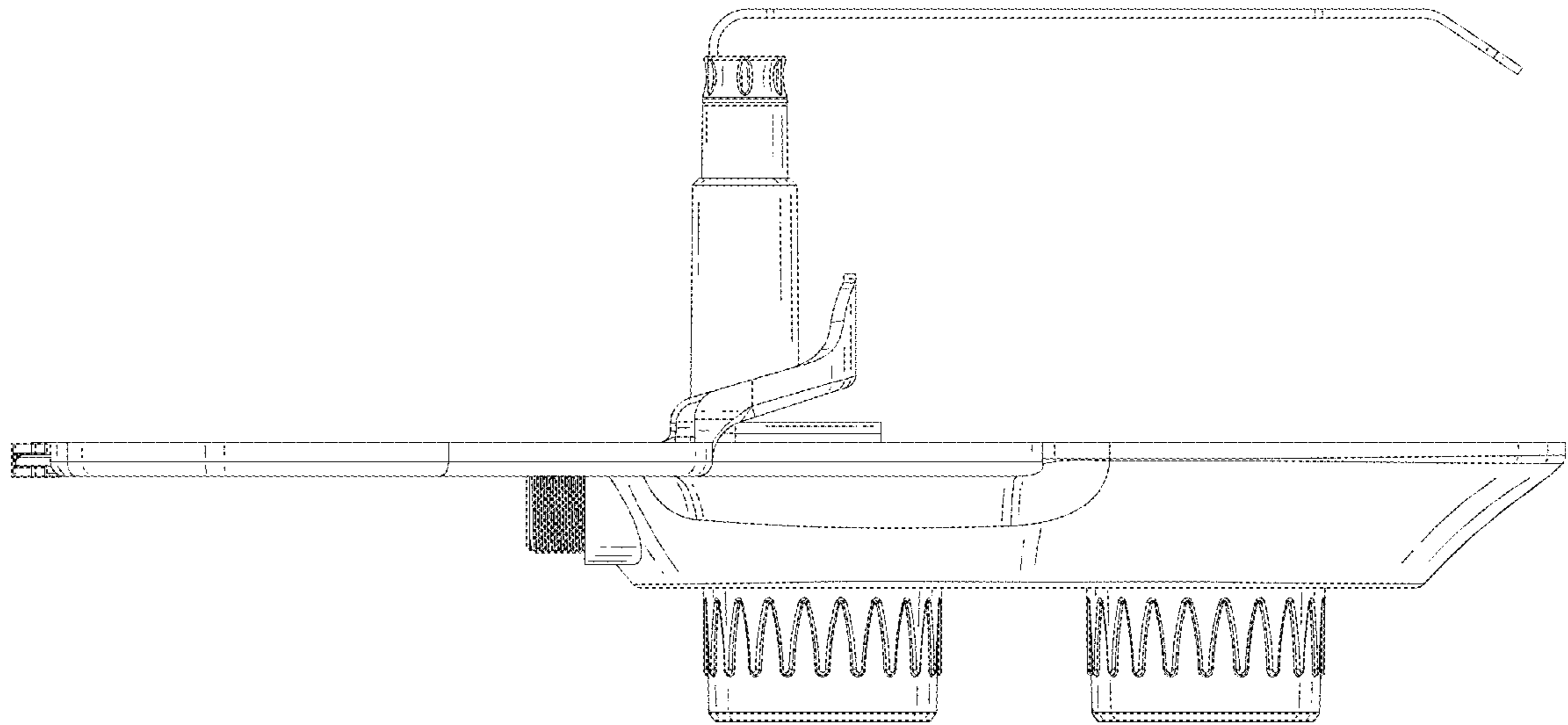


FIG. 7

8/11

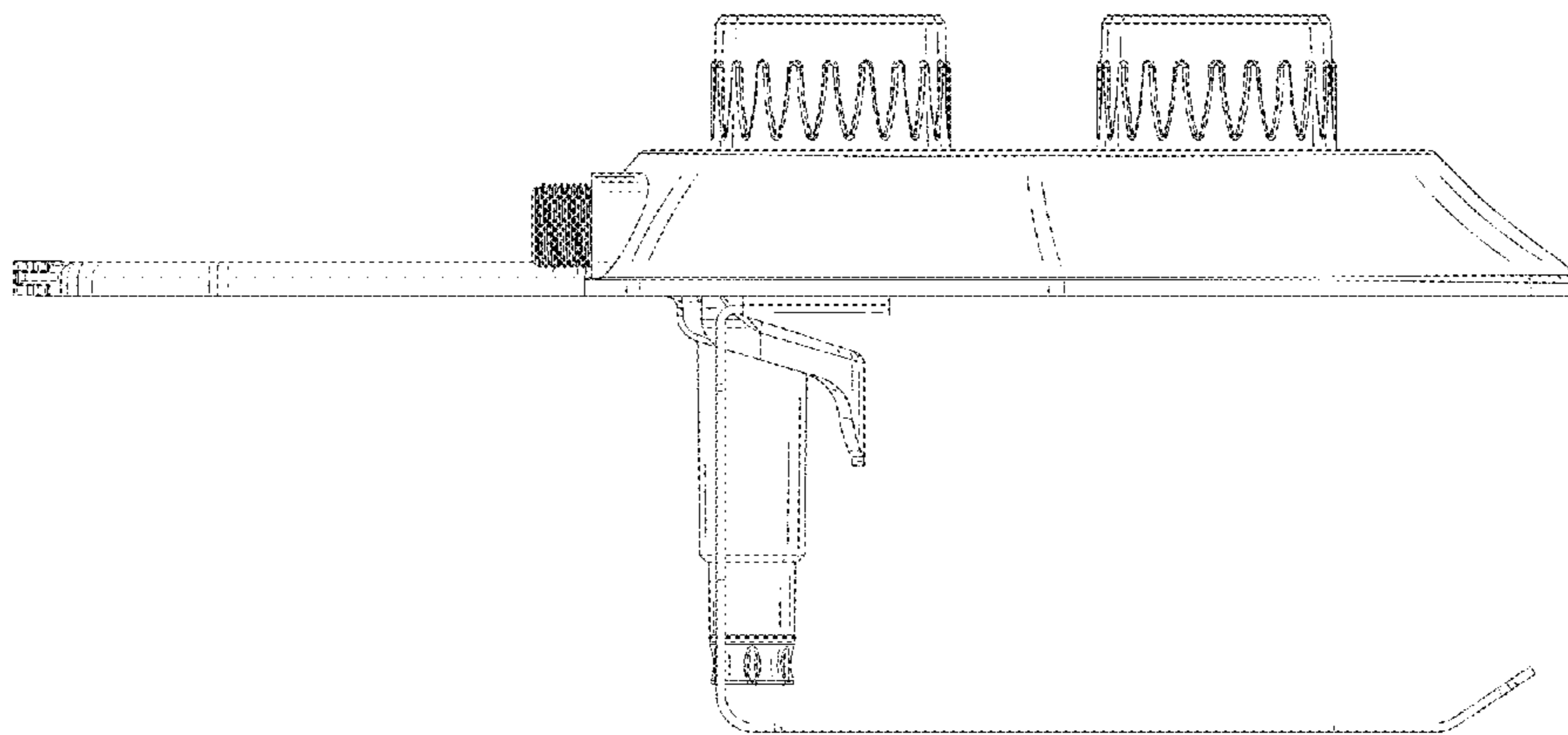


FIG. 8

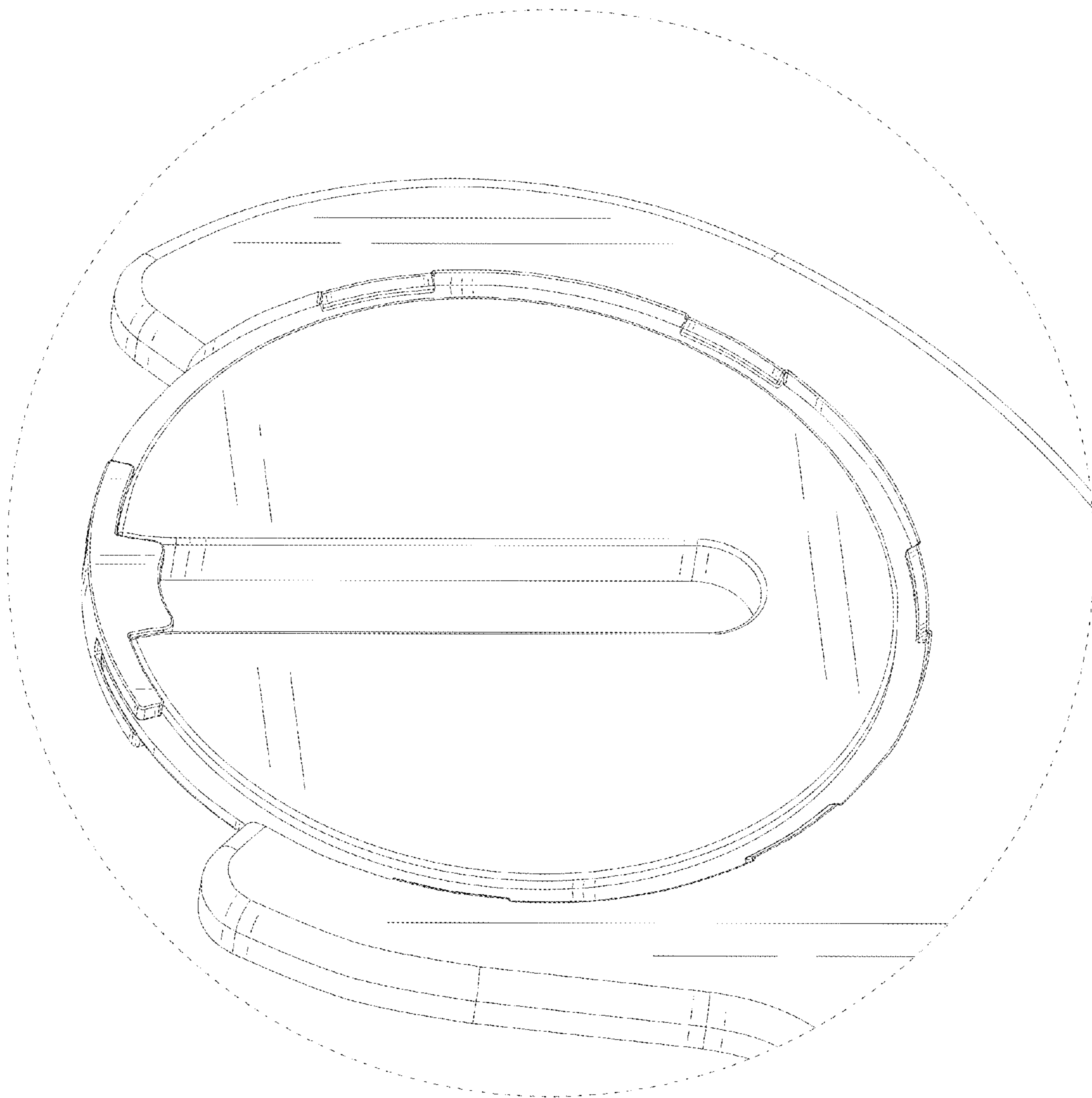


FIG. 9

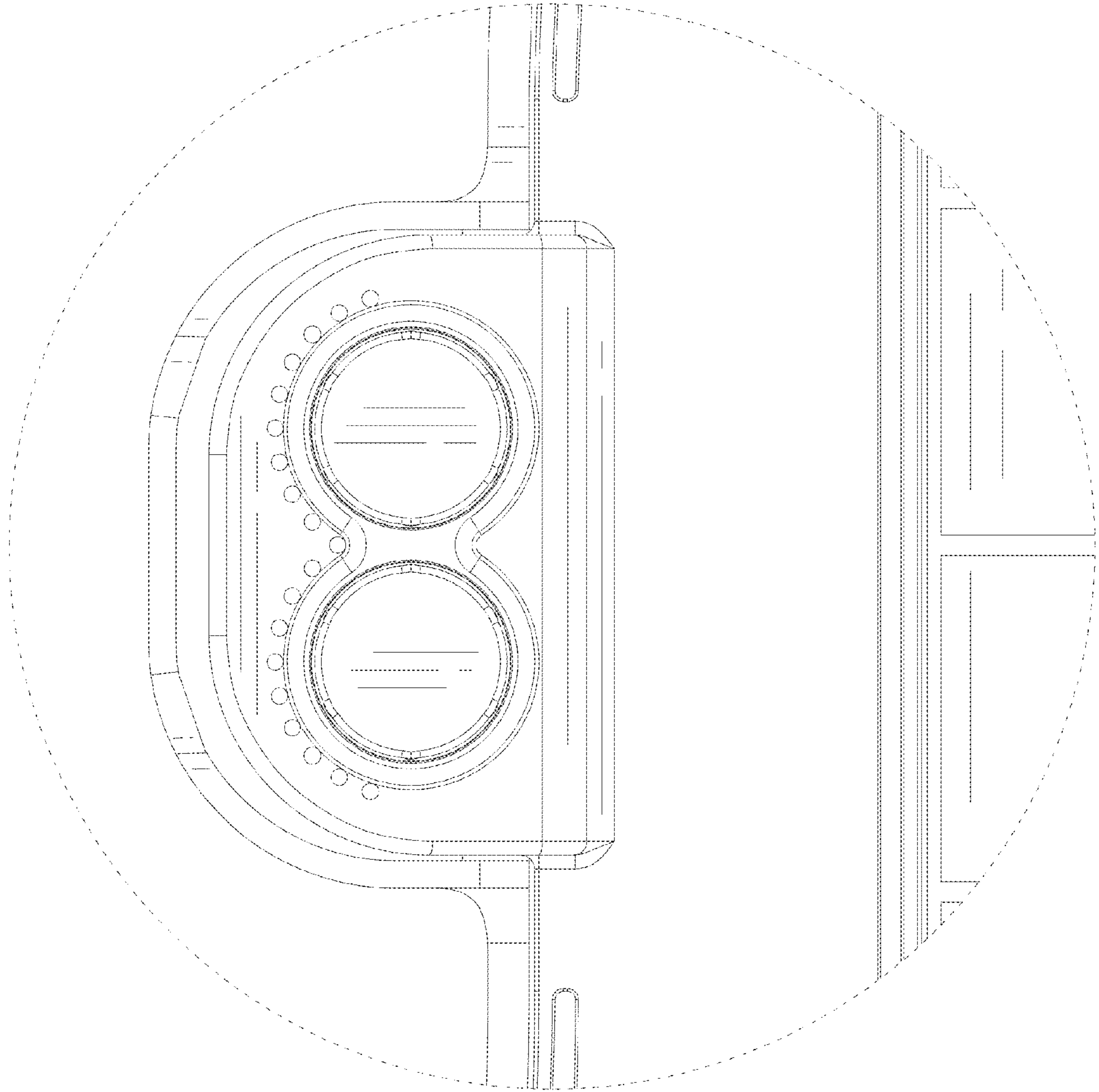


FIG. 10

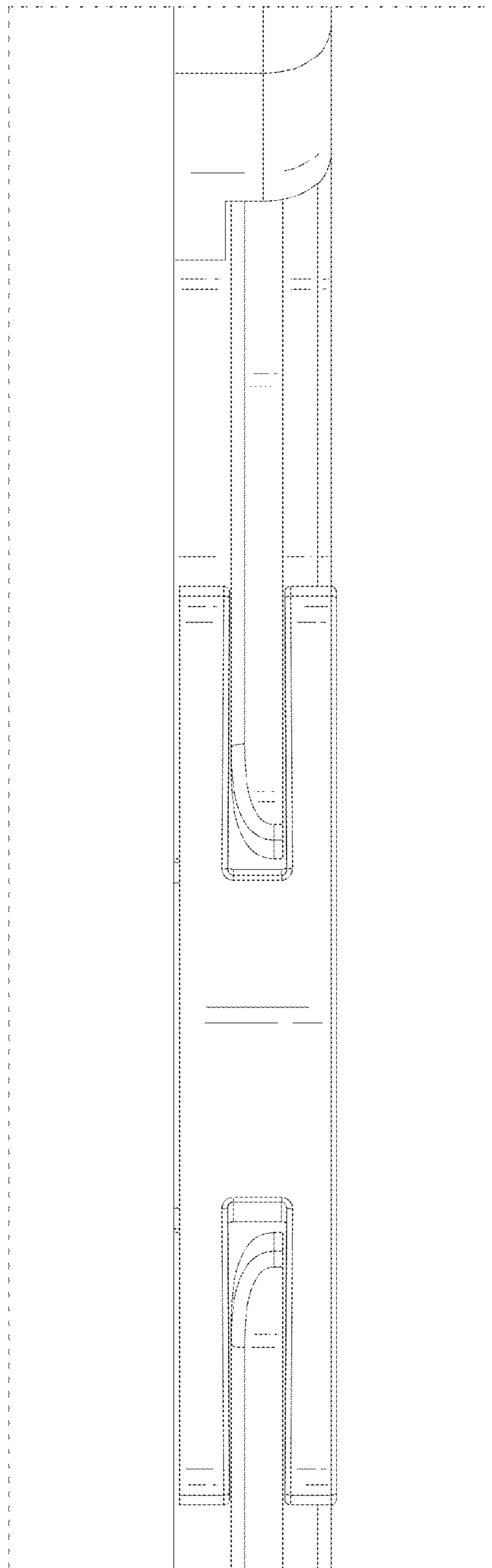


FIG. 11