



US00D979018S

(12) **United States Design Patent**  
**Zhang et al.**

(10) **Patent No.:** **US D979,018 S**

(45) **Date of Patent:** **\*\* Feb. 21, 2023**

(54) **FAUCET**

(71) Applicant: **AS America, Inc.**, Piscataway, NJ (US)

(72) Inventors: **Jian Zhang**, Guangzhou (CN); **Fen Liu**, Guangzhou (CN); **Emilie Williams**, New York, NY (US)

(73) Assignee: **AS America, Inc.**, Piscataway, NJ (US)

(\*\*) Term: **15 Years**

(21) Appl. No.: **29/762,661**

(22) Filed: **Dec. 17, 2020**

(30) **Foreign Application Priority Data**

Jun. 28, 2020 (CN) ..... 202030336282.9

(51) **LOC (14) Cl.** ..... **23-02**

(52) **U.S. Cl.**  
USPC ..... **D23/241**

(58) **Field of Classification Search**  
USPC ..... D23/238, 239, 240, 241, 242, 243, 246,  
D23/247, 248, 249, 250, 251, 252, 253,  
D23/254, 255, 256, 257  
CPC ..... E03C 1/00; E03C 1/01; E03C 1/02; E03C  
1/023; E03C 1/04; E03C 1/0401; E03C  
1/0403; E03C 1/0404; E03C 1/0412;  
E03C 1/05; E03C 1/042; F16K 31/60  
See application file for complete search history.

(56) **References Cited**

**U.S. PATENT DOCUMENTS**

D384,397 S *	9/1997	Doughty	.....	D23/241
D487,303 S *	3/2004	Blomstrom	.....	D23/241
D513,789 S *	1/2006	Kosasih	.....	D23/241
D522,633 S *	6/2006	Hoernig	.....	D23/252
D563,524 S *	3/2008	Wolf	.....	D23/238
D566,235 S *	4/2008	Heck	.....	D23/249
D604,808 S *	11/2009	Williams	.....	D23/255

D608,859 S *	1/2010	Schoenherr	.....	D23/242
D612,016 S *	3/2010	Williams	.....	D23/242
D643,096 S *	8/2011	Corbett	.....	D23/242
D793,533 S *	8/2017	Fritz	.....	D23/242

(Continued)

**FOREIGN PATENT DOCUMENTS**

CN	202030429993.0	*	7/2020
CN	202130075082.7	*	2/2021
CN	202130252116.5	*	4/2021

**OTHER PUBLICATIONS**

Amazon, American Standard Crawford Centerset Bathroom Sink Faucet, posted Dec. 2, 2021, [online], [visited May 17, 2022]. Internet, <URL: <https://www.amazon.com/American-Standard-7612207-002-Crawford-Centerset/dp/B09NQNZH49/ref>> (Year: 2021).\*

(Continued)

*Primary Examiner* — Samantha Wood  
(74) *Attorney, Agent, or Firm* — Tyler A. Stevenson;  
Anna-lisa L. Gallo

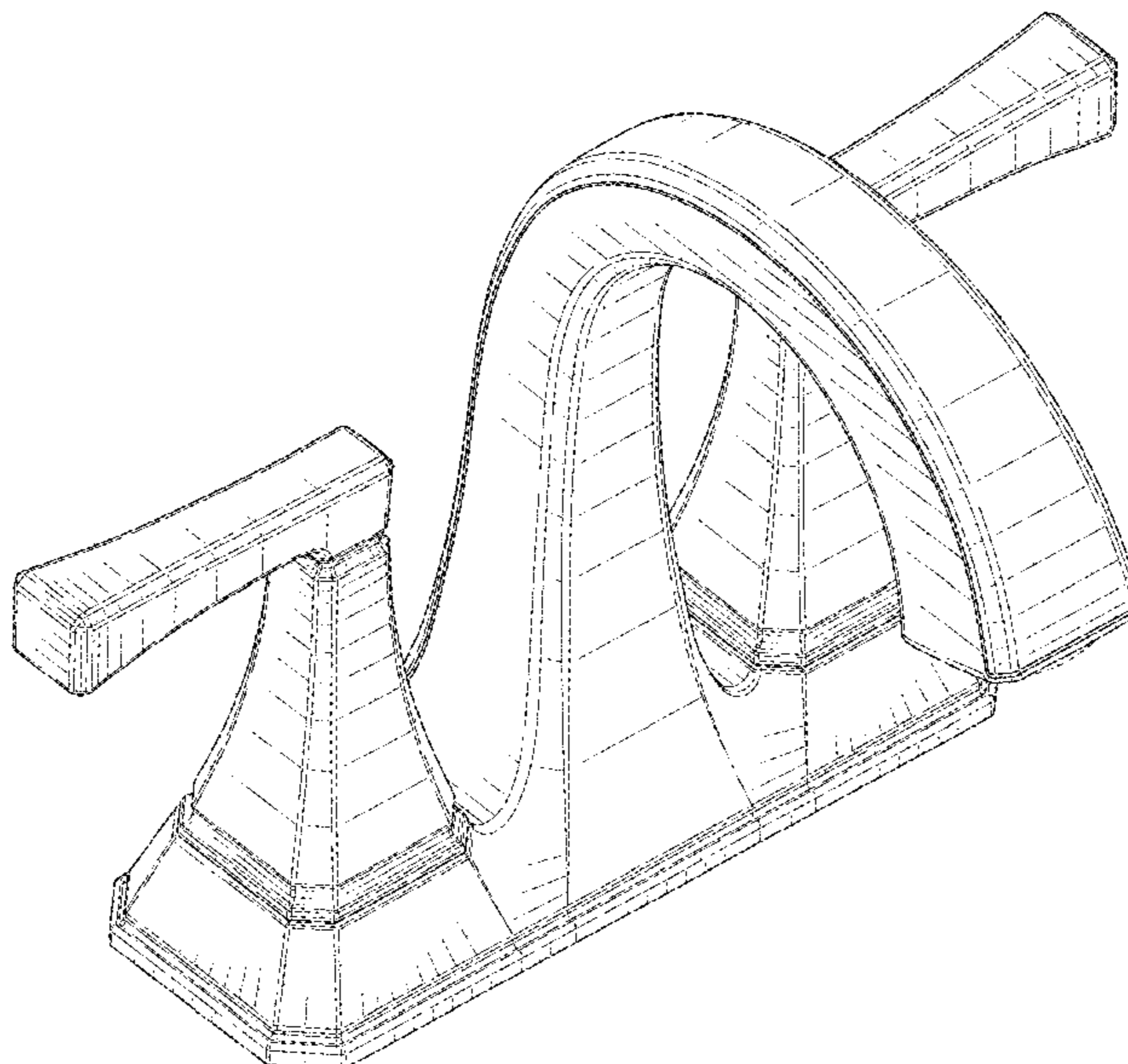
(57) **CLAIM**

We claim the ornamental design for a faucet, as shown and described.

**DESCRIPTION**

FIG. 1 is a front, top, left side perspective view of a faucet showing our new design;  
FIG. 2 is a front view thereof;  
FIG. 3 is a rear view thereof;  
FIG. 4 is a left side view thereof;  
FIG. 5 is a right side view thereof;  
FIG. 6 is a top view thereof;  
FIG. 7 is a bottom view thereof; and,  
FIG. 8 is a front, bottom, left side perspective view thereof. Broken lines of the disclosure represent portions of the faucet that form no part of the claimed design.

**1 Claim, 8 Drawing Sheets**



(56)

**References Cited**

U.S. PATENT DOCUMENTS

D796,638 S \* 9/2017 Liao ..... D23/242  
D896,349 S \* 9/2020 Kuang ..... D23/242  
D905,825 S \* 12/2020 Potter ..... D23/242  
D919,053 S \* 5/2021 Stoler ..... D23/242  
D933,783 S \* 10/2021 Miller ..... D23/242  
2019/0390446 A1 \* 12/2019 Mooren ..... E03C 1/0401

OTHER PUBLICATIONS

Amazon, Delta Faucet Ashlyn Bronze Bathroom Faucet, posted Oct. 23, 2014, [online], [visited May 17, 2022]. Internet, <URL: <https://www.amazon.com/2-Handle-Centerset-Bathroom-Technology-2564-RBMPU-DST/dp/B000TY6UAW/ref?th=1>> (Year: 2014).\*

\* cited by examiner

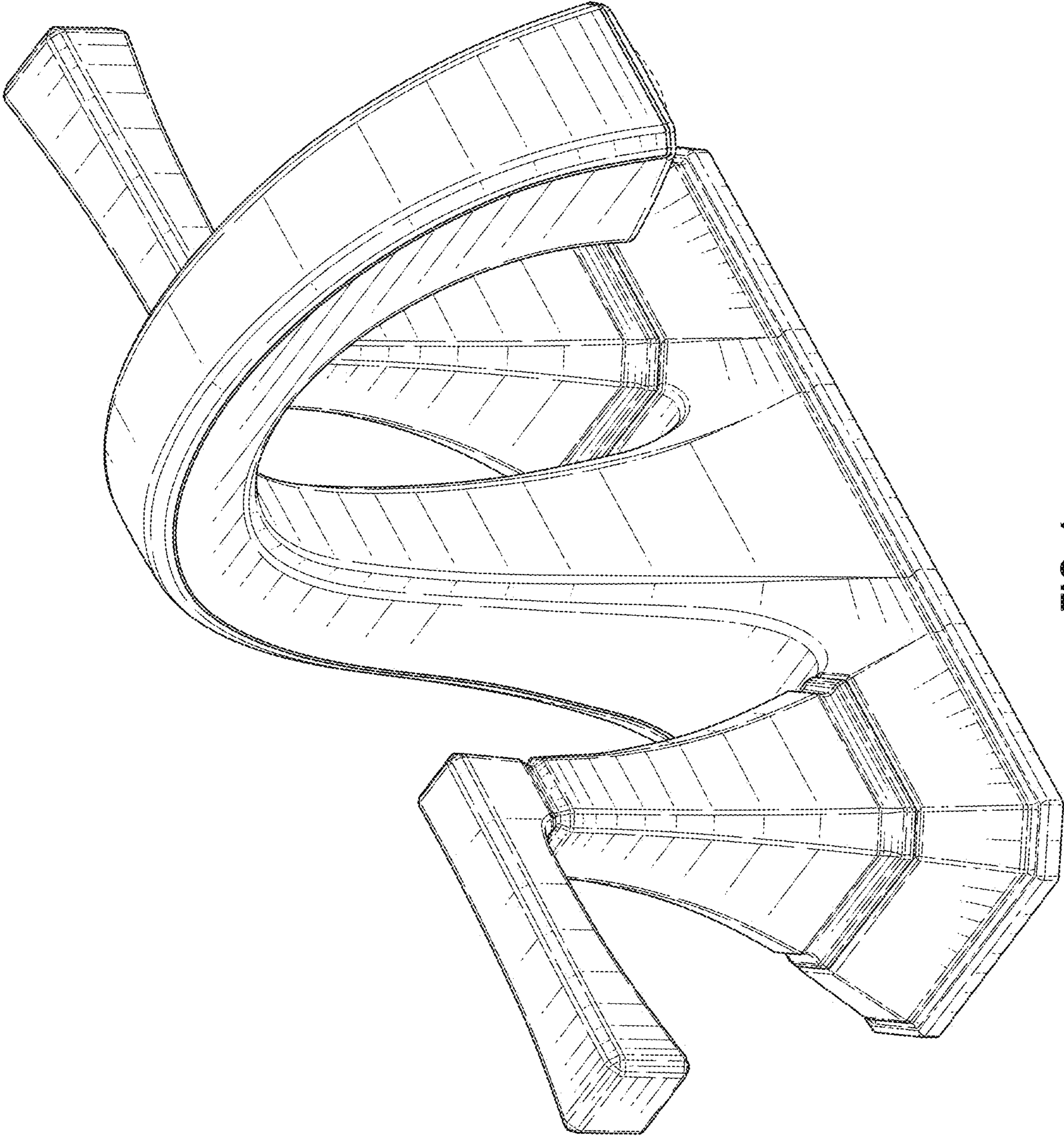


FIG. 1

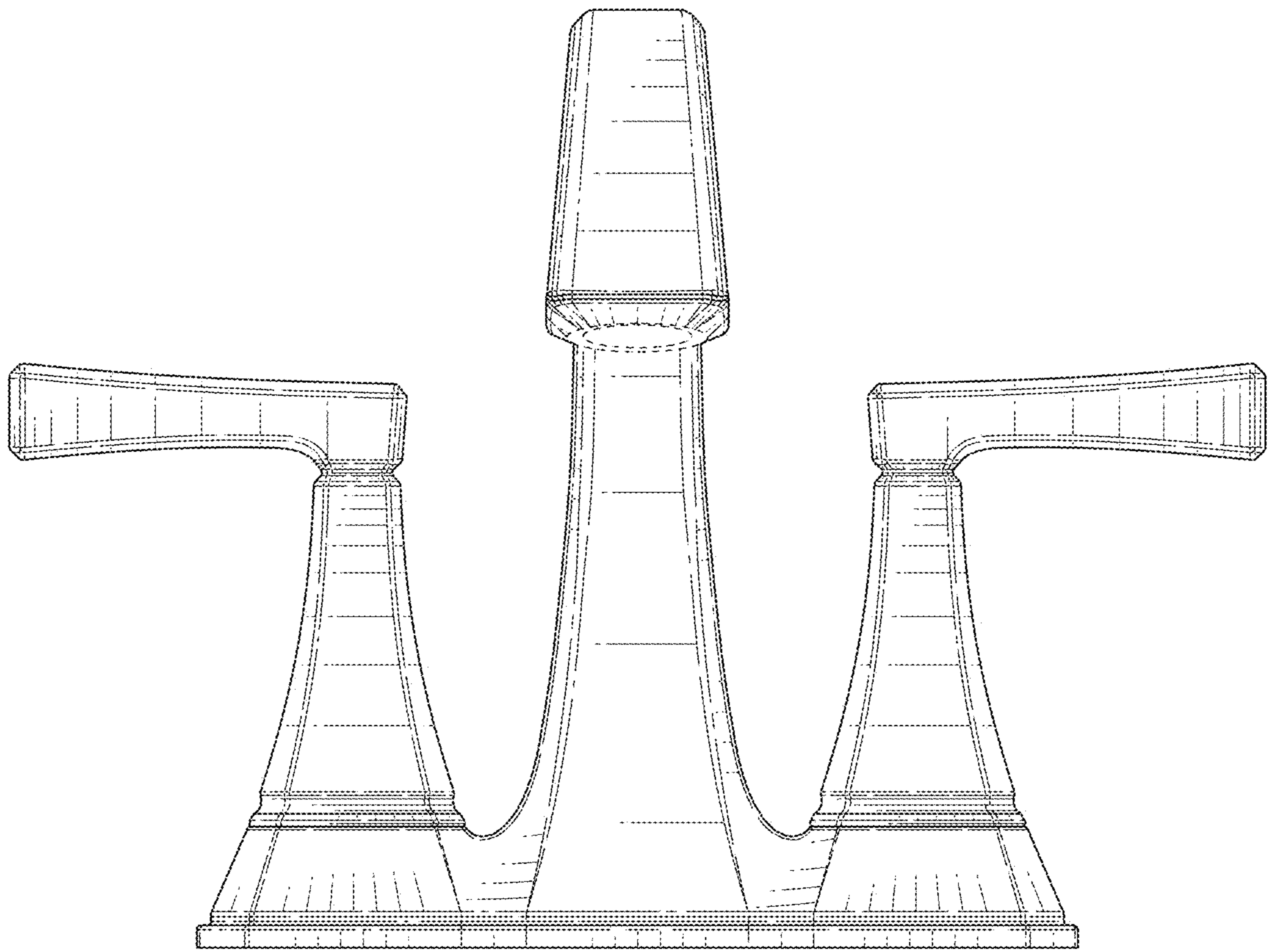


FIG. 2

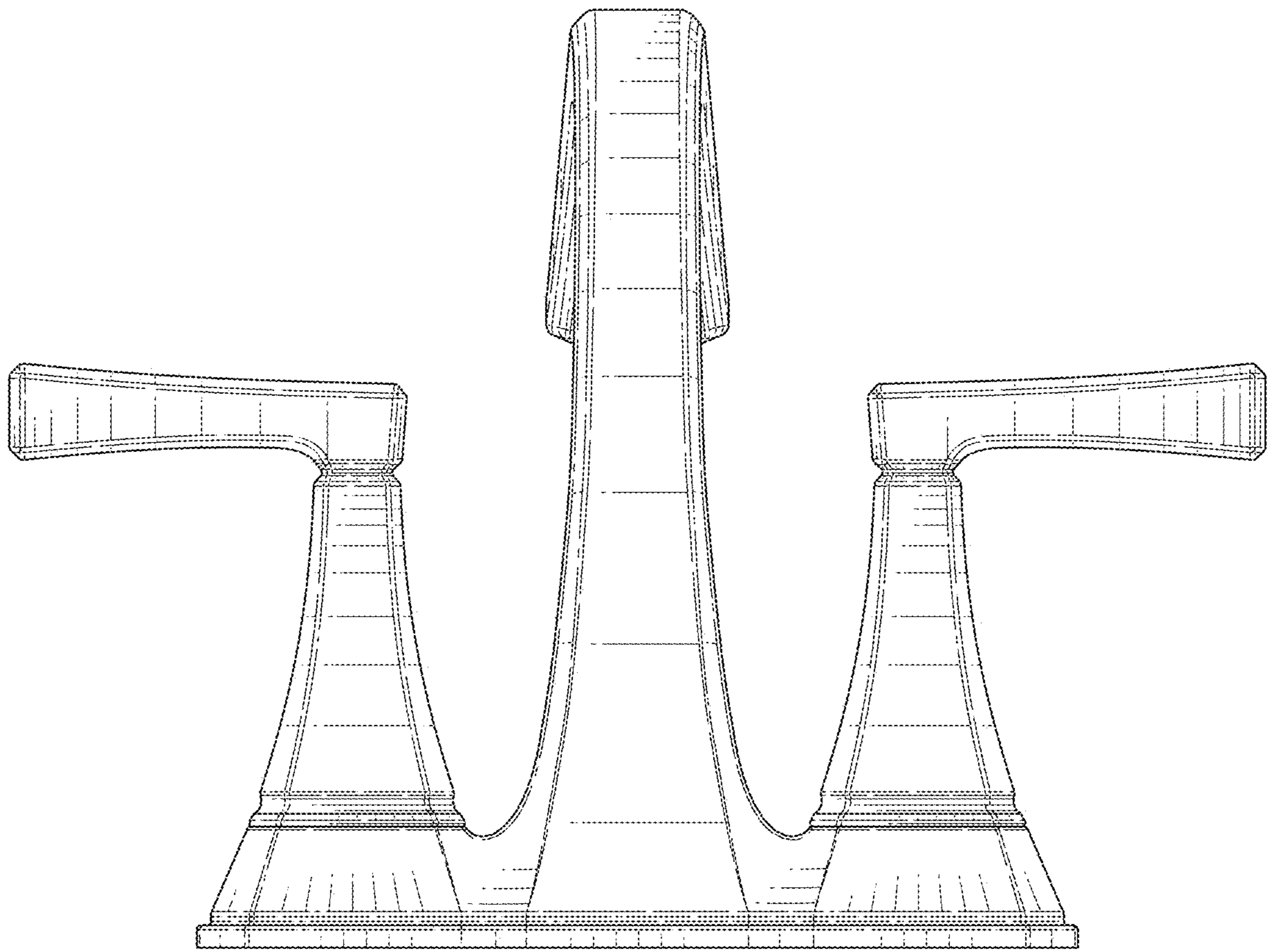


FIG. 3

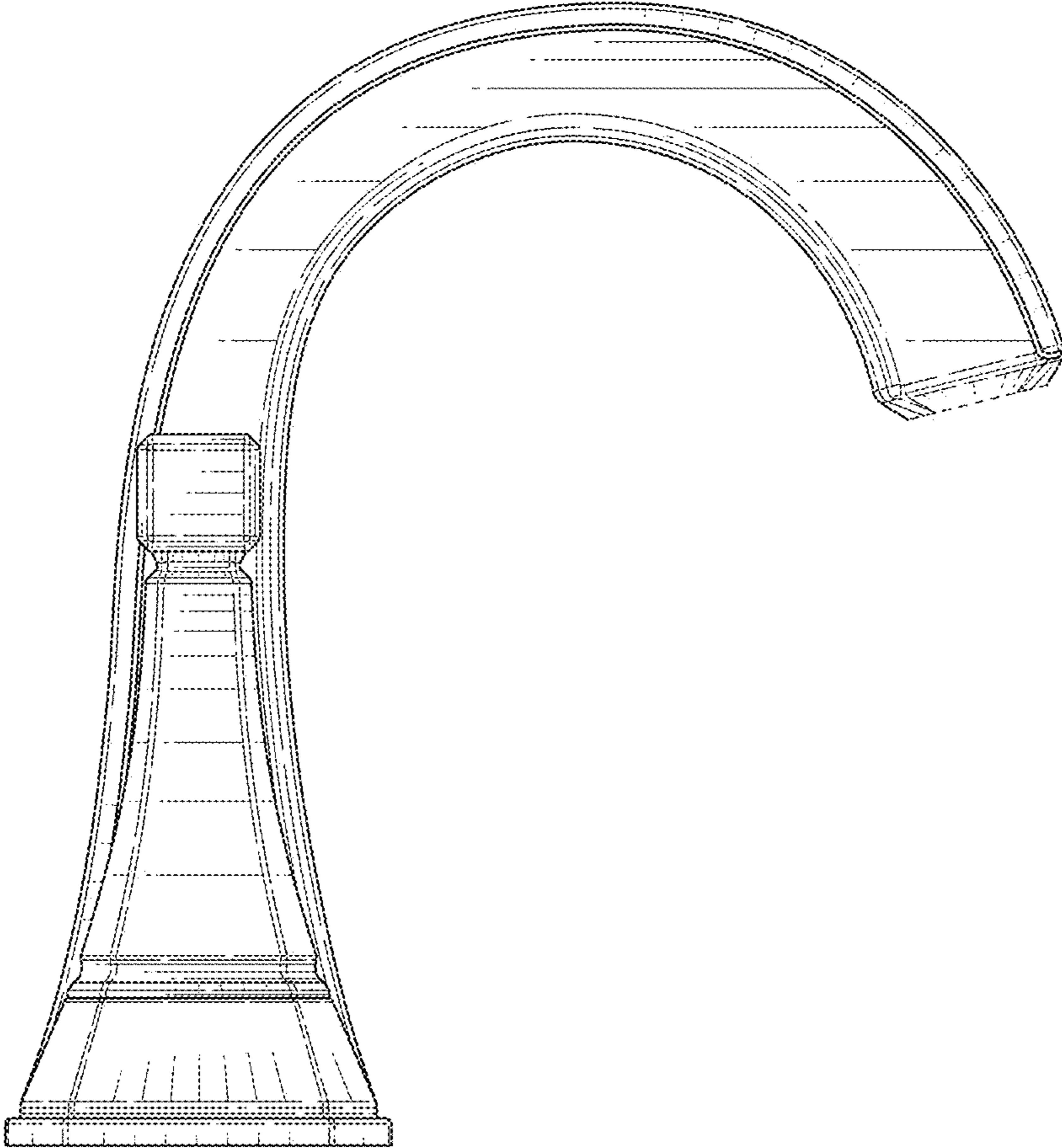


FIG. 4

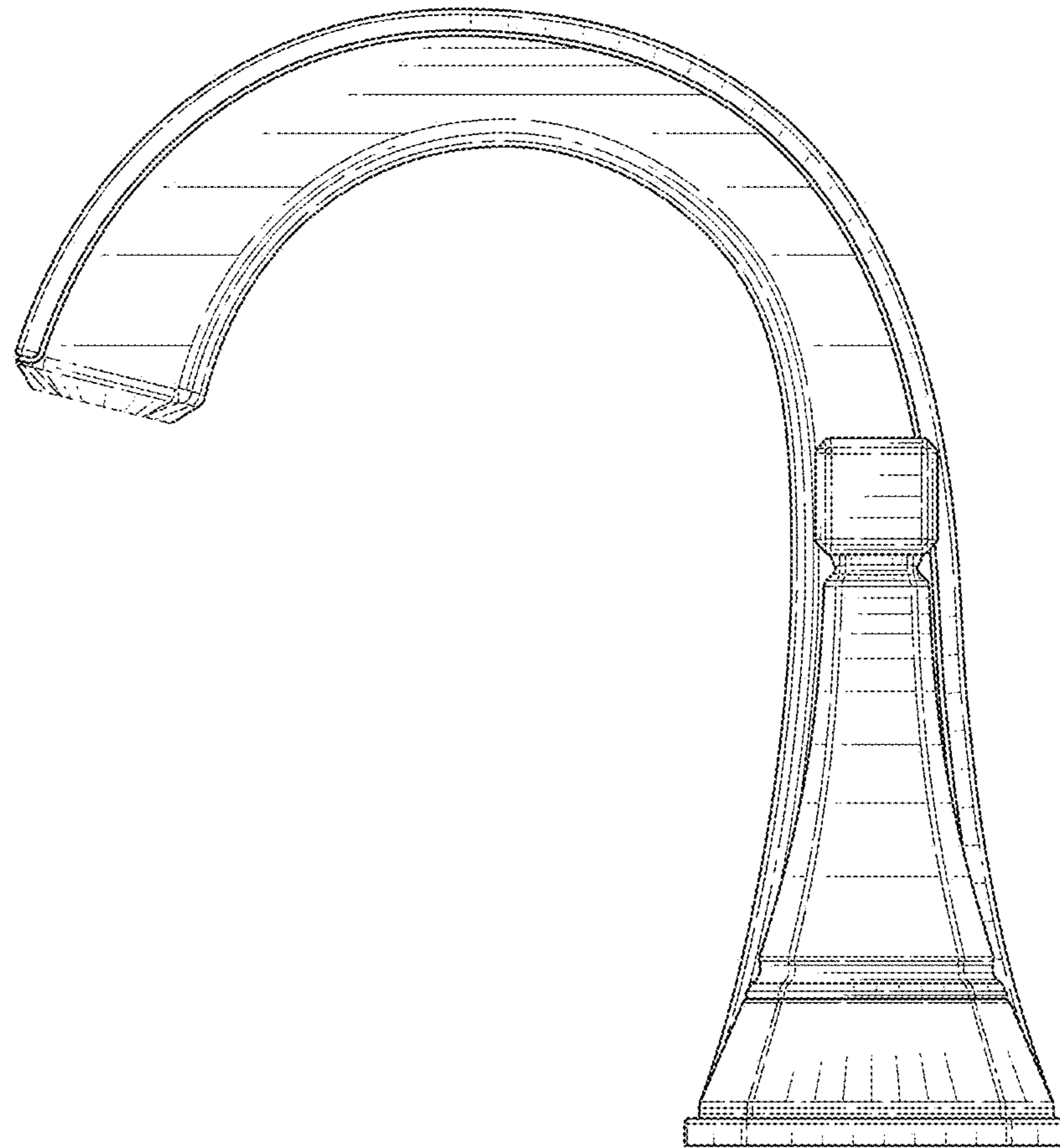


FIG. 5

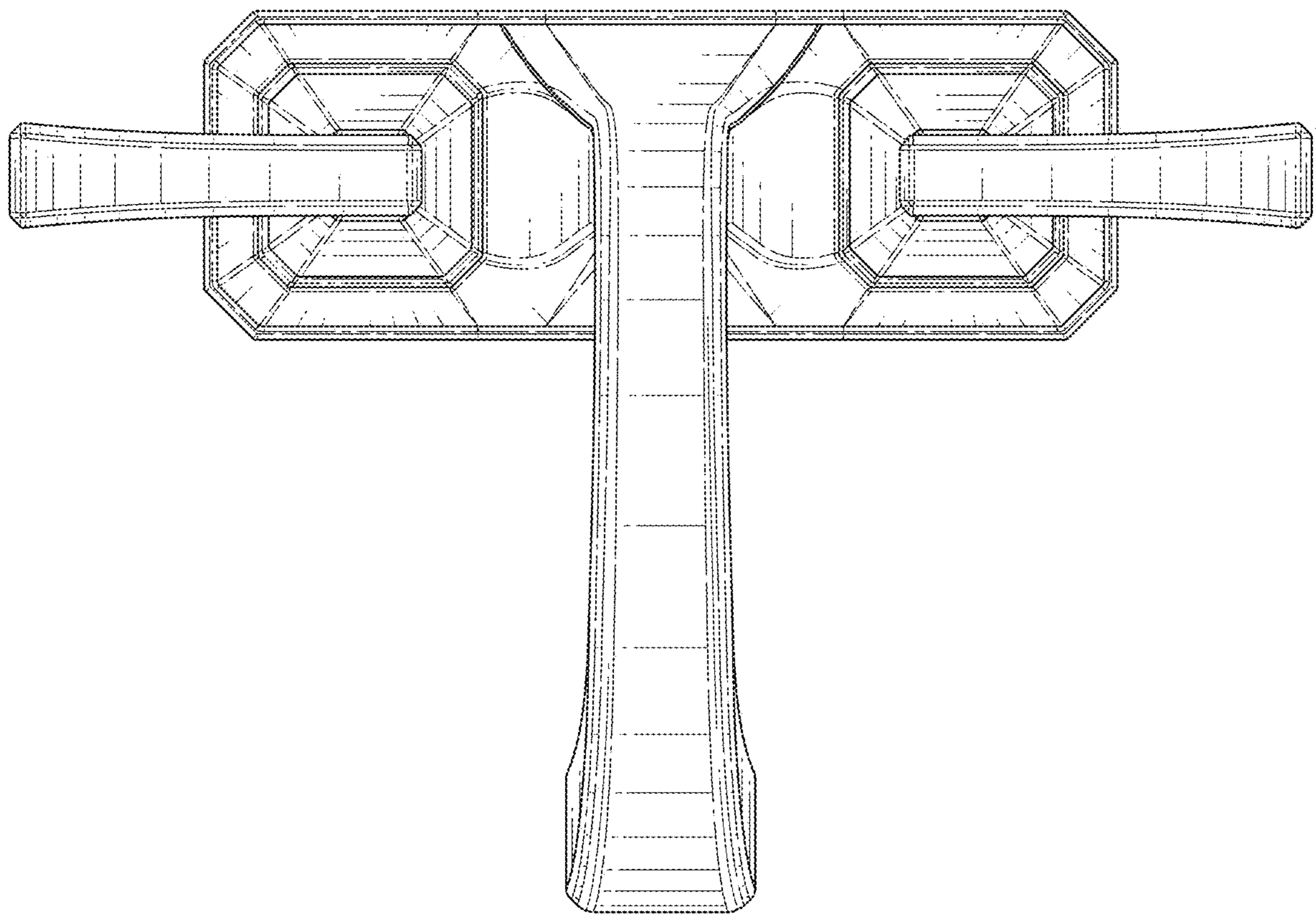


FIG. 6



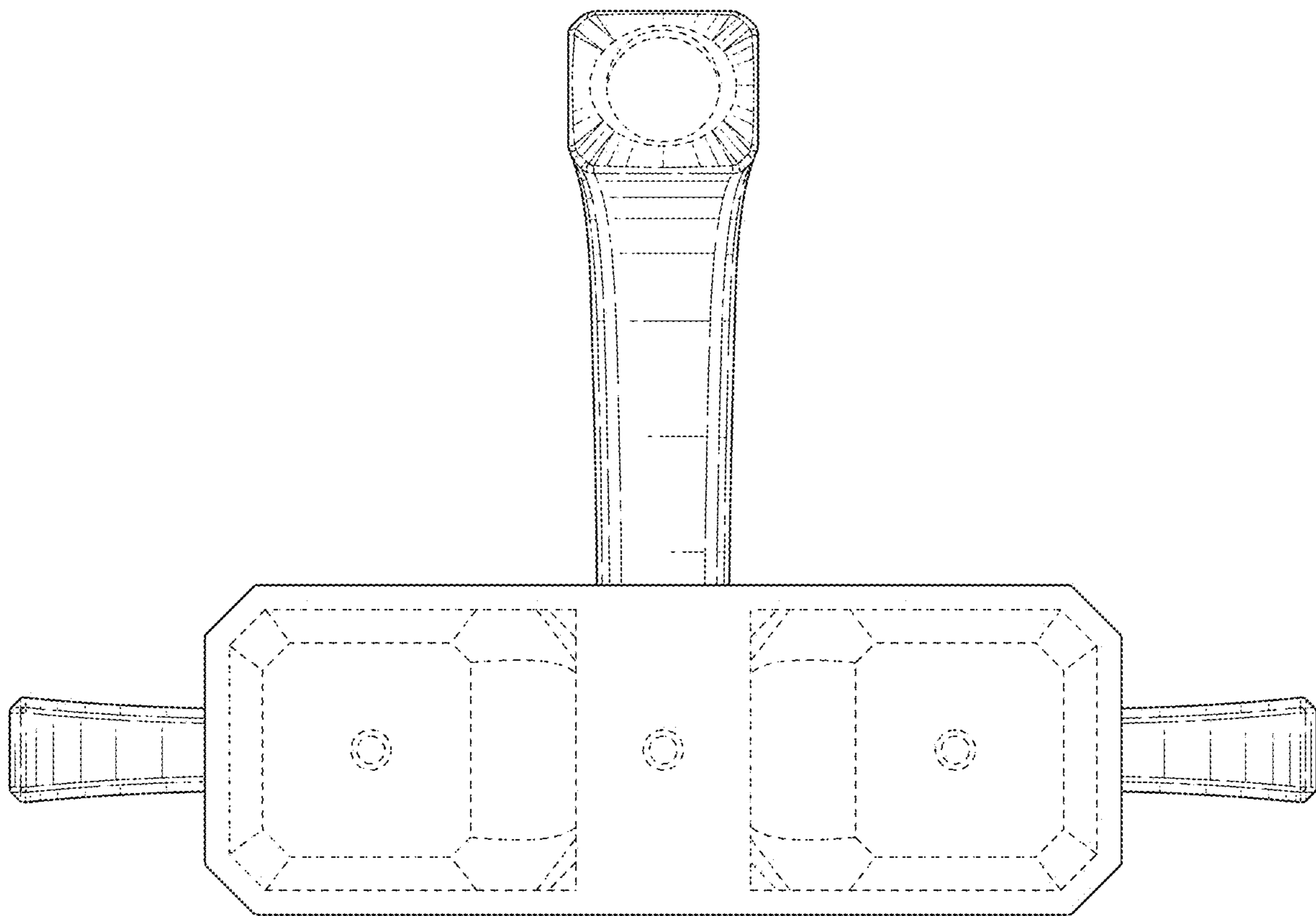


FIG. 7

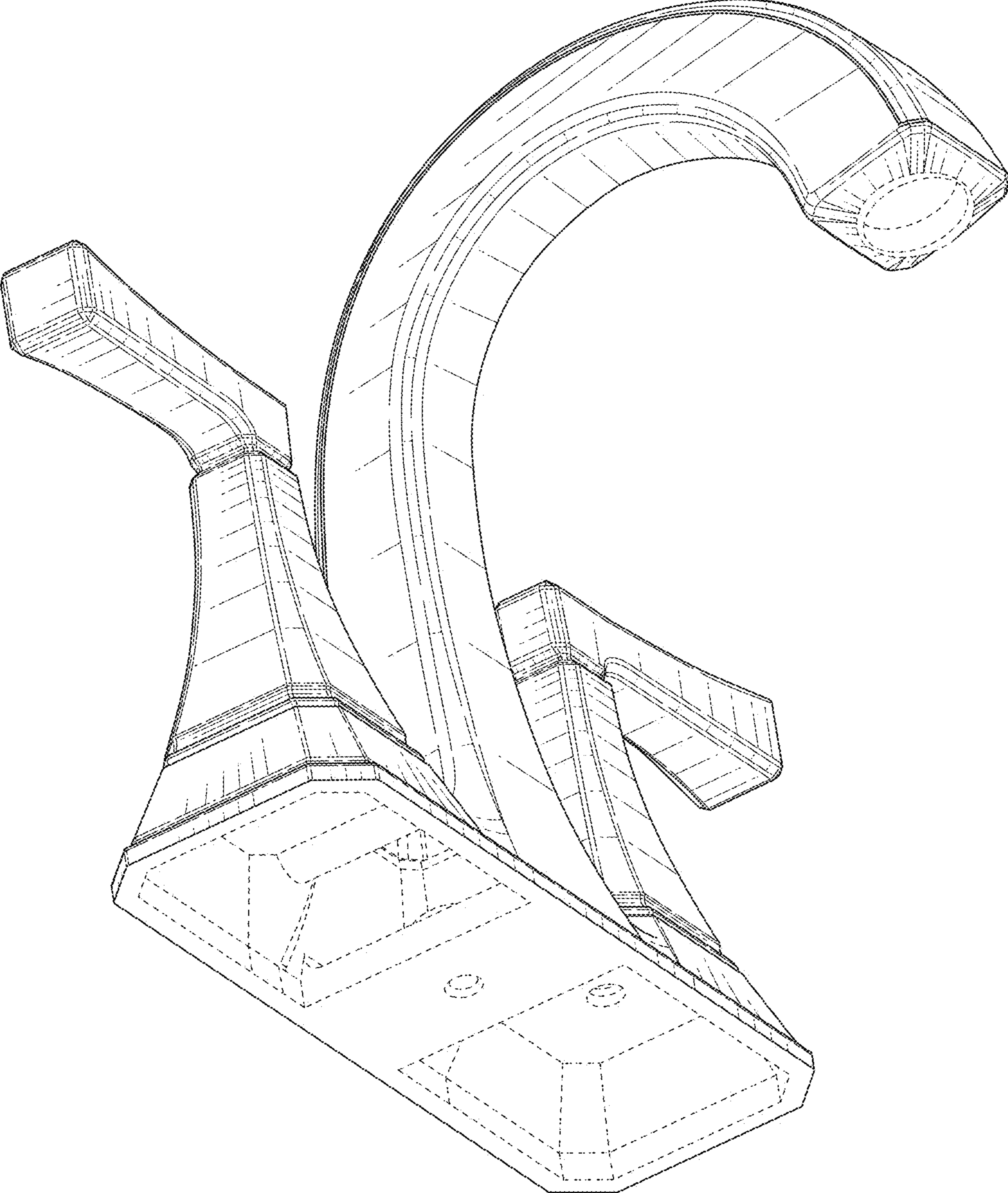


FIG. 8