



US00D979016S

(12) **United States Design Patent** (10) **Patent No.:** **US D979,016 S**  
**Seum et al.** (45) **Date of Patent:** **\*\* \*Feb. 21, 2023**

(54) **FAUCET**

D857,168 S \* 8/2019 Soulier ..... D23/238  
D868,213 S \* 11/2019 Hoogendoorn ..... D23/238  
D900,969 S \* 11/2020 Takahashi ..... D23/238

(71) Applicant: **Grohe AG**, Hemer (DE)

(Continued)

(72) Inventors: **Michael Seum**, Duesseldorf (DE);  
**Jung-Beom Han**, Duesseldorf (DE)

FOREIGN PATENT DOCUMENTS

(73) Assignee: **Grohe AG**, Hemer (DE)

EM 001336481-0067 \* 7/2012  
IN 255977-0001 \* 8/2013  
TR 653240-0001 \* 8/2013

(\* ) Notice: This patent is subject to a terminal disclaimer.

(Continued)

(\*\*) Term: **15 Years**

OTHER PUBLICATIONS

(21) Appl. No.: **29/723,700**

Hansgrohe Logis Modern Low Flow Water Saving 1-Handle 10-inch Tall Bathroom Sink Faucet, first available Jul. 22, 2015[online], [site visited May 17, 2021]. Available from internet, URL:<https://www.amazon.com/Hansgrohe-71090001-B3throom-Faucet-Chrome/dp/B012BKOBUQ> (Year: 2015).\*

(22) Filed: **Feb. 10, 2020**

(Continued)

(30) **Foreign Application Priority Data**

Aug. 9, 2019 (EM) ..... 006694170-0003

(51) **LOC (14) Cl.** ..... **23-01**

(52) **U.S. Cl.**  
USPC ..... **D23/238**

(58) **Field of Classification Search**  
USPC ..... D23/238-244, 252, 254-255, 257;  
D8/307-308

CPC .... F16K 31/602; F16K 31/605; F16K 31/607;  
E03C 1/0412

See application file for complete search history.

*Primary Examiner* — Barbara Fox

*Assistant Examiner* — Jamaal Rasheed

(74) *Attorney, Agent, or Firm* — Muncy, Geissler, Olds & Lowe, P.C.

(56) **References Cited**

U.S. PATENT DOCUMENTS

D428,472 S \* 7/2000 Fleischmann ..... D23/238  
D585,524 S \* 1/2009 Schoenherr ..... D23/238  
D602,121 S \* 10/2009 Yabe ..... D23/238  
D643,512 S \* 8/2011 Matsuura ..... D23/238  
D698,421 S \* 1/2014 Schoenherr ..... D23/238  
D700,955 S \* 3/2014 Schoenherr ..... D23/238  
D757,223 S \* 5/2016 Schoenherr ..... D23/238  
D828,512 S \* 9/2018 Liu ..... D23/238

(57) **CLAIM**

The ornamental design for a faucet, as shown and described.

**DESCRIPTION**

FIG. 1 is a front perspective view of a faucet according to the present invention.

FIG. 2 is a front view of the faucet of FIG. 1.

FIG. 3 is a rear view of the faucet of FIG. 1.

FIG. 4 is a left side view of the faucet of FIG. 1.

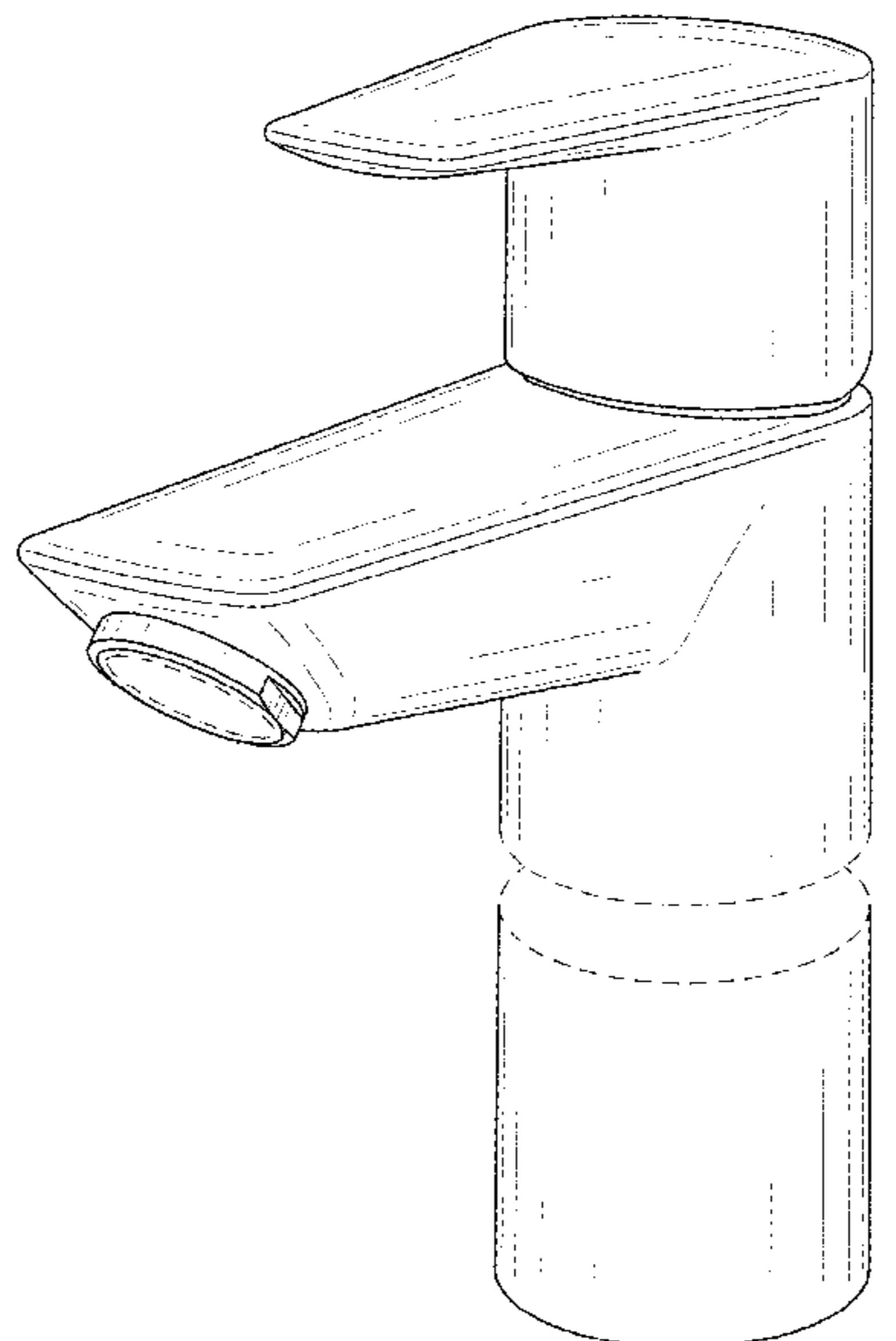
FIG. 5 is a right side view of the faucet of FIG. 1.

FIG. 6 is a top view of the faucet of FIG. 1; and,

FIG. 7 is a bottom view of the faucet of FIG. 1.

The broken lines depict portions of the faucet that form no part of the claimed design.

**1 Claim, 7 Drawing Sheets**



(56)

**References Cited**

U.S. PATENT DOCUMENTS

D913,432 S \* 3/2021 Ando ..... D23/238

FOREIGN PATENT DOCUMENTS

TR	653241-0001	*	8/2013
WO	D087010-002	*	7/2015
WO	D087010-004	*	7/2015

OTHER PUBLICATIONS

Hansgrohe Talis E Modern Easy Install Easy Clean 1-Handle 1 11-inch Tall Bathroom Sink Faucet, first available Nov. 1, 2016[online], [site visited May 17, 2021]. Available from internet, URL:<<https://www.amazon.com/hansgrohe-1-Handle-11-inch-Bathroom-71717001/dp/B01MRSYWRV>> (Year: 2016).\*

\* cited by examiner

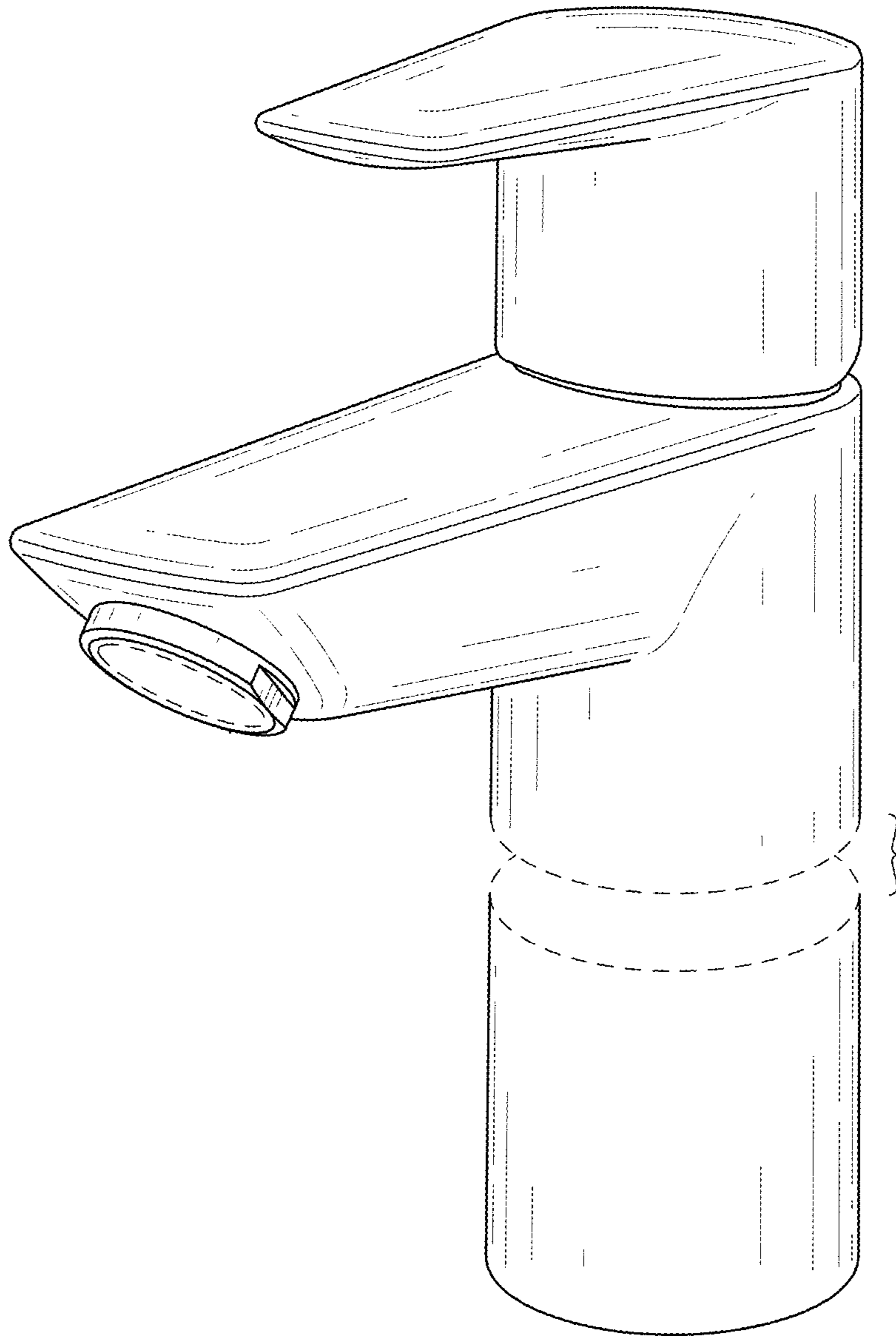


FIG.1

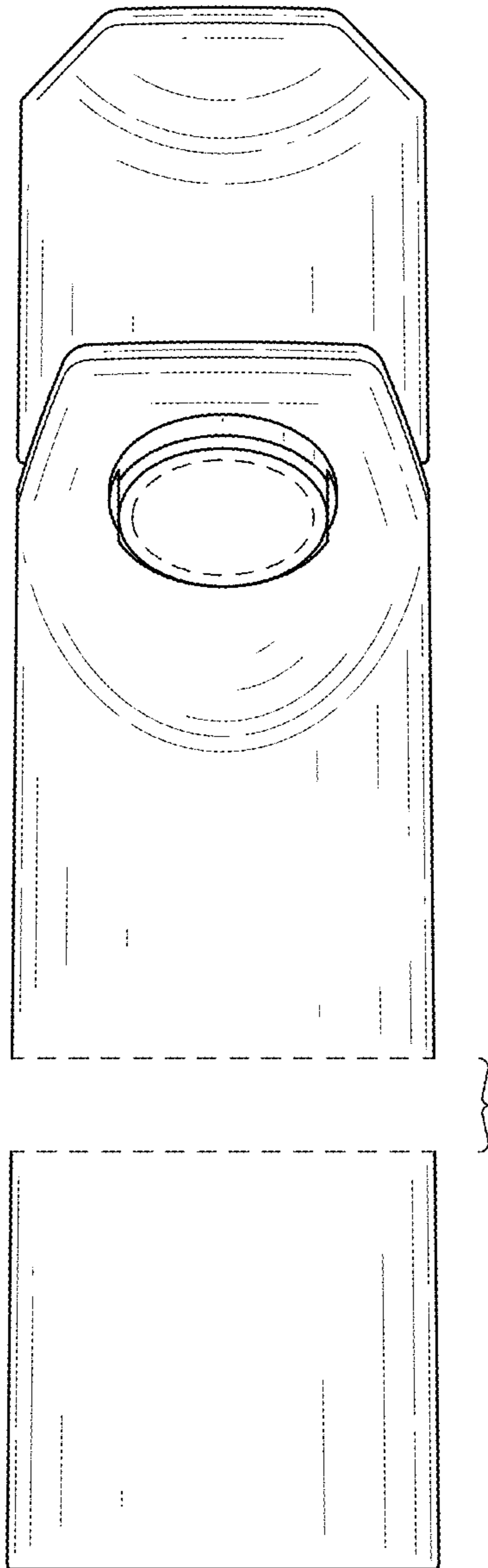


FIG.2

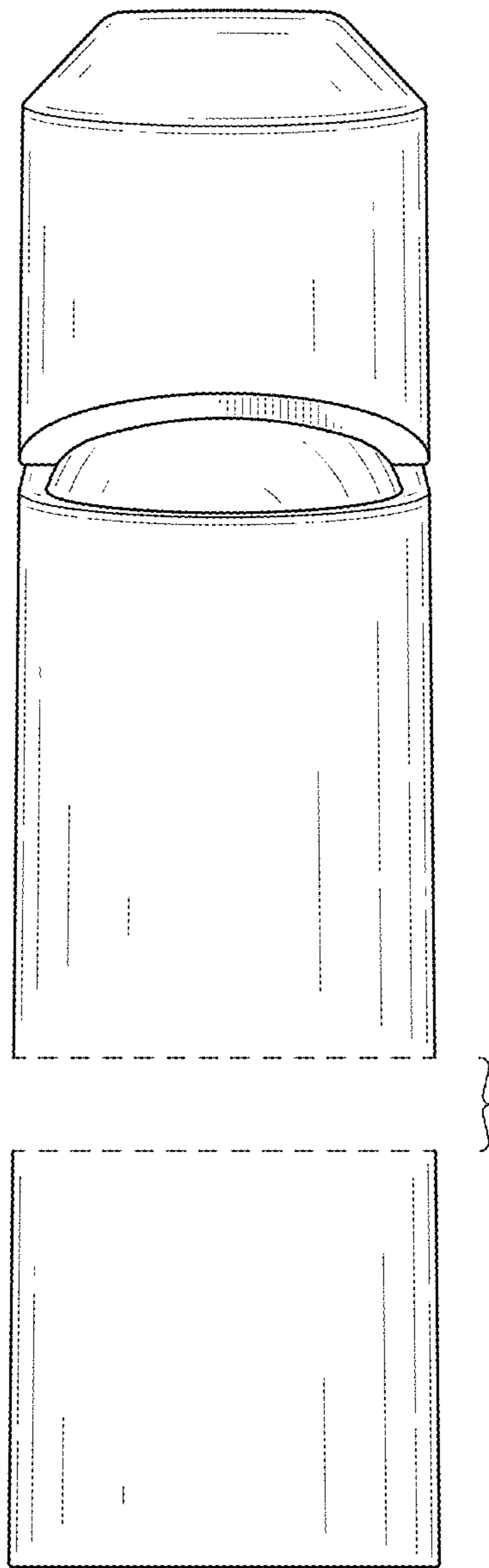


FIG.3

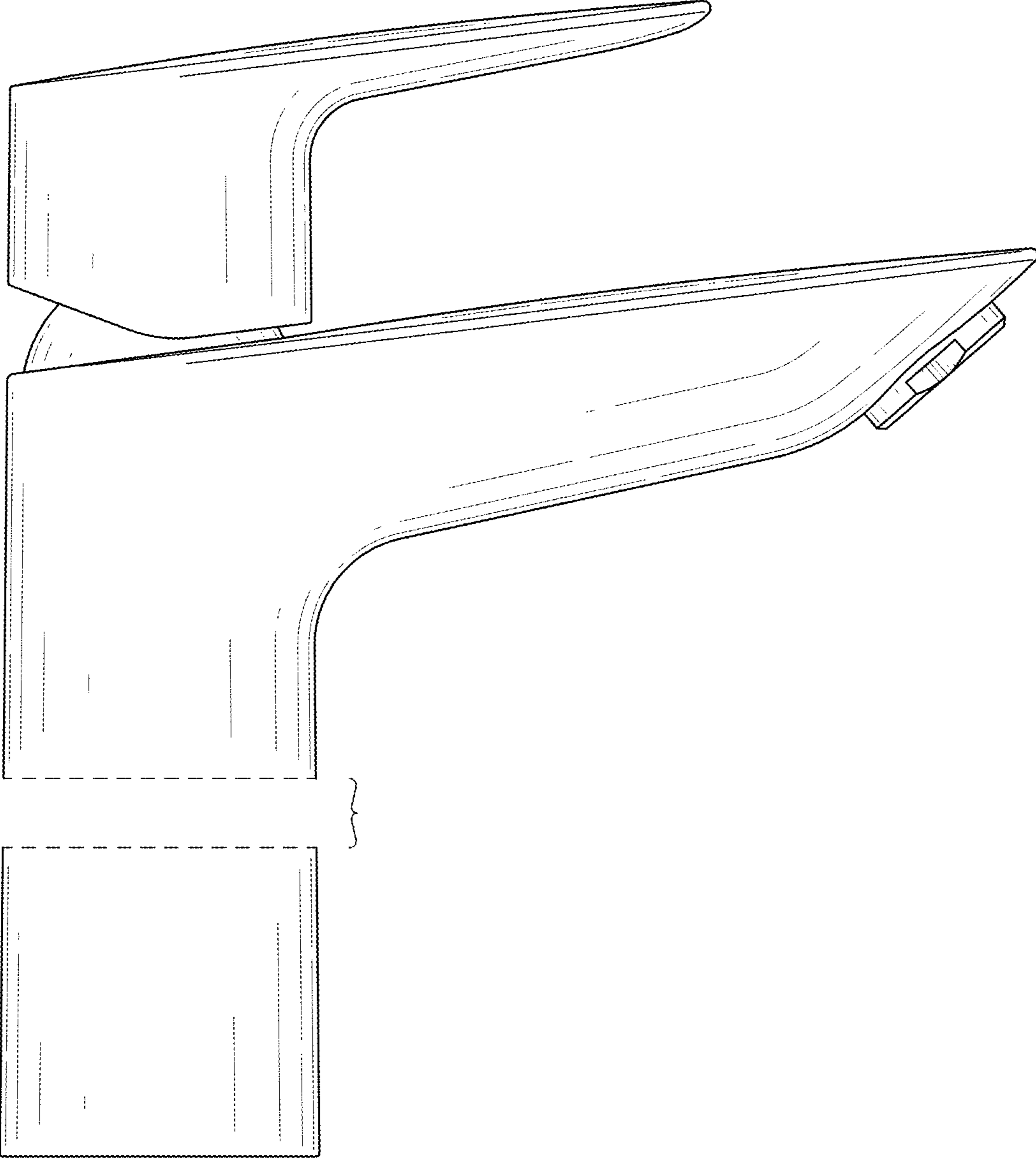


FIG.4

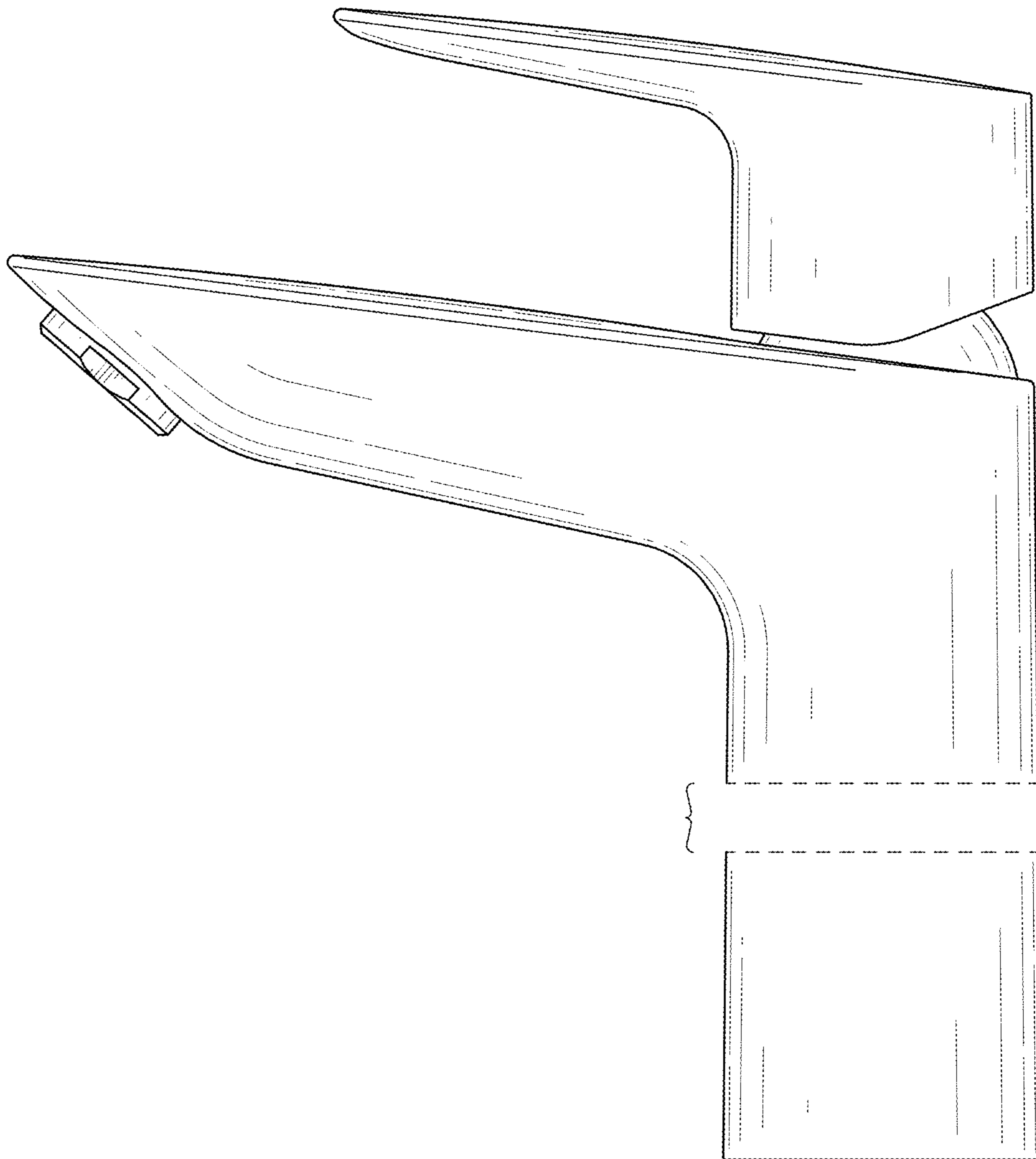


FIG.5

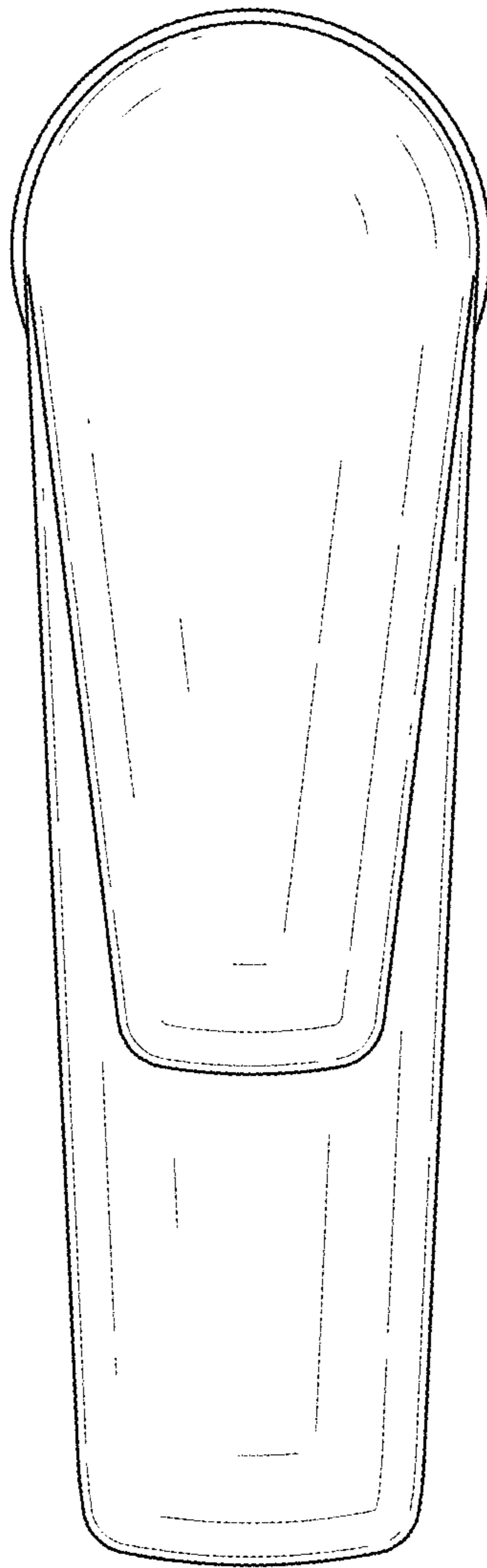


FIG.6



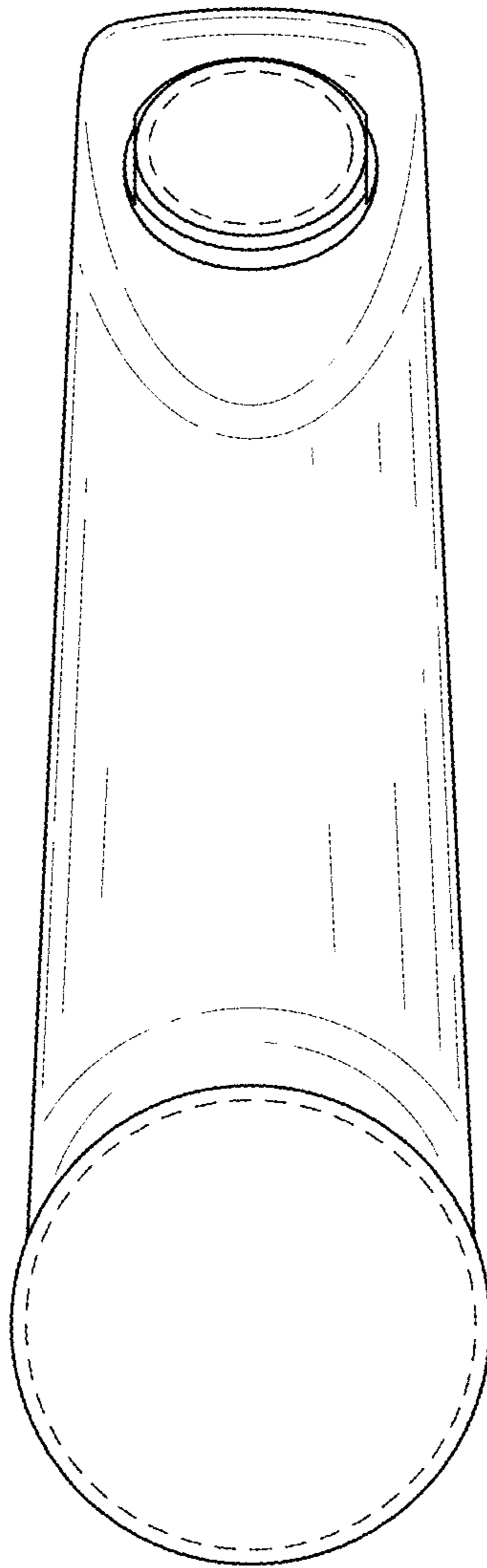


FIG.7