



US00D979010S

(12) **United States Design Patent**
Cheng

(10) **Patent No.:** **US D979,010 S**

(45) **Date of Patent:** **** Feb. 21, 2023**

(54) **MOSQUITO KILLING LAMP**

(71) Applicant: **Guohua Cheng**, Jiangxi Province (CN)

(72) Inventor: **Guohua Cheng**, Jiangxi Province (CN)

(**) Term: **15 Years**

(21) Appl. No.: **29/855,230**

(22) Filed: **Sep. 30, 2022**

(51) **LOC (14) Cl.** **22-06**

(52) **U.S. Cl.**
USPC **D22/123**

(58) **Field of Classification Search**
USPC D22/119, 120, 122, 123, 124; D30/114,
D30/115, 116

CPC ... A01M 1/223; A01M 1/04; A01M 2200/012
See application file for complete search history.

(56) **References Cited**

U.S. PATENT DOCUMENTS

1,848,614	A *	3/1932	Folmer et al.	A01M 1/04 43/112
1,936,468	A *	11/1933	Folmer	A01M 1/02 D26/85
D226,729	S *	4/1973	Iannini	D22/123
4,182,069	A *	1/1980	De Yoreo	A01M 1/04 43/112
4,454,677	A *	6/1984	Chuang	A01M 1/223 43/112
D291,223	S *	8/1987	Yuen	D22/123
D291,225	S *	8/1987	Yuen	D22/123
D291,345	S *	8/1987	Rottenberg	D22/123
D294,283	S *	2/1988	Yuen	D22/123
D572,794	S *	7/2008	Chen	D22/122
D608,036	S *	1/2010	Lee	D26/40
D898,864	S *	10/2020	Qiu	D22/123
D900,957	S *	11/2020	Du	D22/123
D906,474	S *	12/2020	Feng	D22/123
D916,228	S *	4/2021	Luo	D22/123
D917,009	S *	4/2021	Wu	D22/123
D917,655	S *	4/2021	Luo	D22/123

D918,332	S *	5/2021	Luo	D22/123
D919,039	S *	5/2021	Luo	D22/123
D930,107	S *	9/2021	Lin	D22/123
D932,584	S *	10/2021	He	D22/123
D940,816	S *	1/2022	Gao	D22/122

(Continued)

OTHER PUBLICATIONS

“Palone Bug Zapper 20W 4500V for Outdoor and Indoor High Powered Electric Mosquito Zappers Killer, Insect Fly Trap for Home Backyard Patio” [online]. Palone. [Retrieved on Dec. 14, 2022]. Retrieved from the Internet: <<https://www.amazon.com/dp/B09PN4LN17>>.*

(Continued)

Primary Examiner — Mojtaba Tehrani

(74) *Attorney, Agent, or Firm* — ScienBiziP, P.C.

(57) **CLAIM**

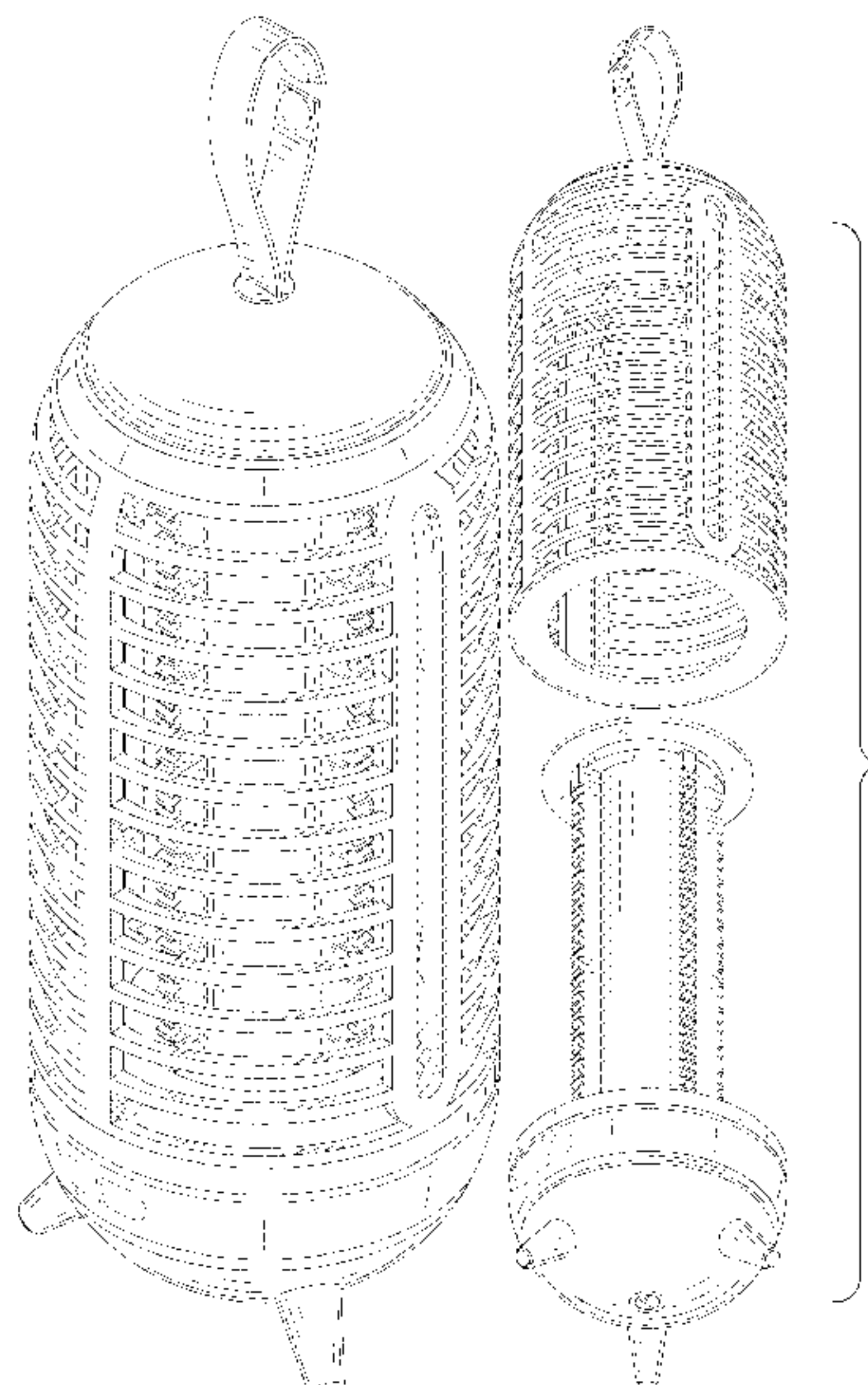
The ornamental design for a mosquito killing lamp, as shown and described.

DESCRIPTION

FIG. 1 is a front, right and top perspective view of a mosquito killing lamp, showing my design.
FIG. 2 is a rear, left and bottom perspective view thereof.
FIG. 3 is a front elevation view thereof.
FIG. 4 is a rear elevation view thereof.
FIG. 5 is a left side elevation view thereof.
FIG. 6 is a right side elevation view thereof.
FIG. 7 is a top plan view thereof.
FIG. 8 is a bottom plan view thereof.
FIG. 9 is an exploded view thereof of FIG. 1; and,
FIG. 10 is an exploded view thereof of FIG. 2.

The broken lines shown in the drawings are included for the purpose of illustrating portions of the mosquito killing lamp that form no part of the claimed design.

1 Claim, 10 Drawing Sheets



(56)

References Cited

U.S. PATENT DOCUMENTS

D947,313 S * 3/2022 Hu D22/123
D949,281 S * 4/2022 Peng D22/123
D950,002 S * 4/2022 Luo D22/123
D960,283 S * 8/2022 Liao D22/123
D961,041 S * 8/2022 Zhang D22/123
D963,787 S * 9/2022 Wang D22/123
D970,680 S * 11/2022 Li D22/123
D970,681 S * 11/2022 Hu D22/123
2009/0277073 A1* 11/2009 Chen A01M 1/223
43/112
2022/0110308 A1* 4/2022 Sabic A01M 1/04

OTHER PUBLICATIONS

“Amerione Bug Zapper for Indoor and Outdoor, 20W Electric Mosquito Zapper, Waterproof Insect Killer, 4200V Fly Trap for Home, Bedroom, Backyard, Camping, Patio and More” [online]. Amerione. [Retrieved on Dec. 14, 2022]. Retrieved from the Internet: <<https://www.amazon.com/dp/B0B1HBSJCB>>.*

* cited by examiner

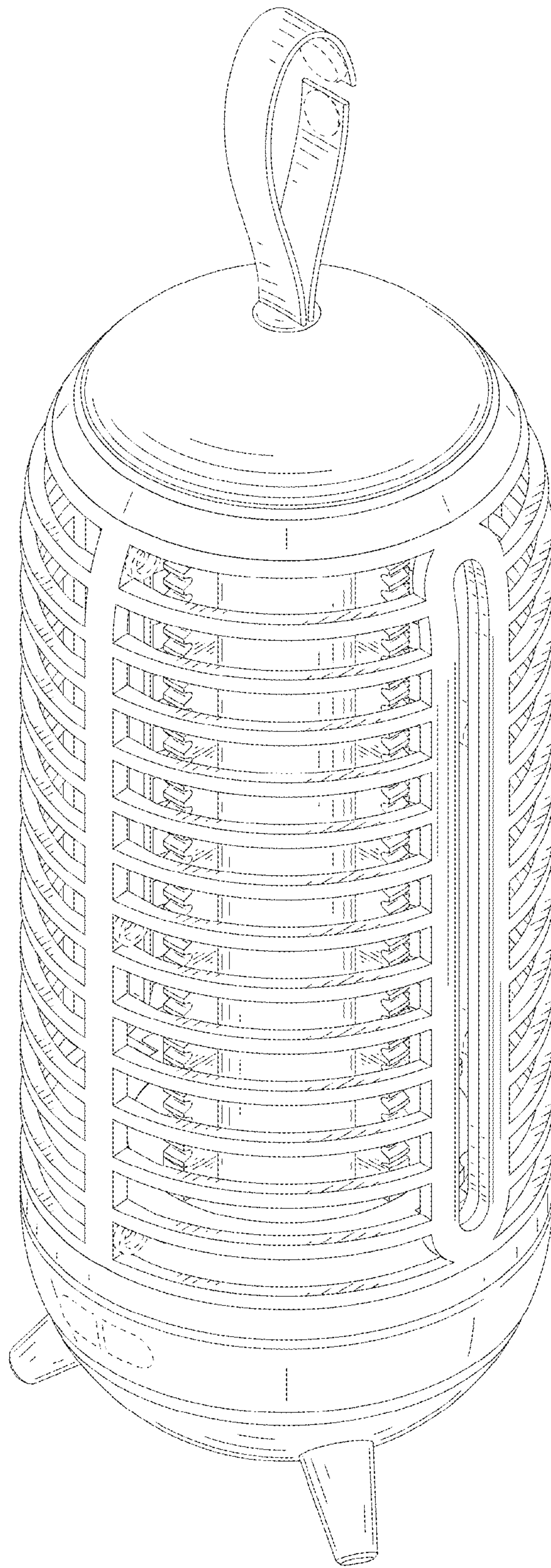


FIG. 1

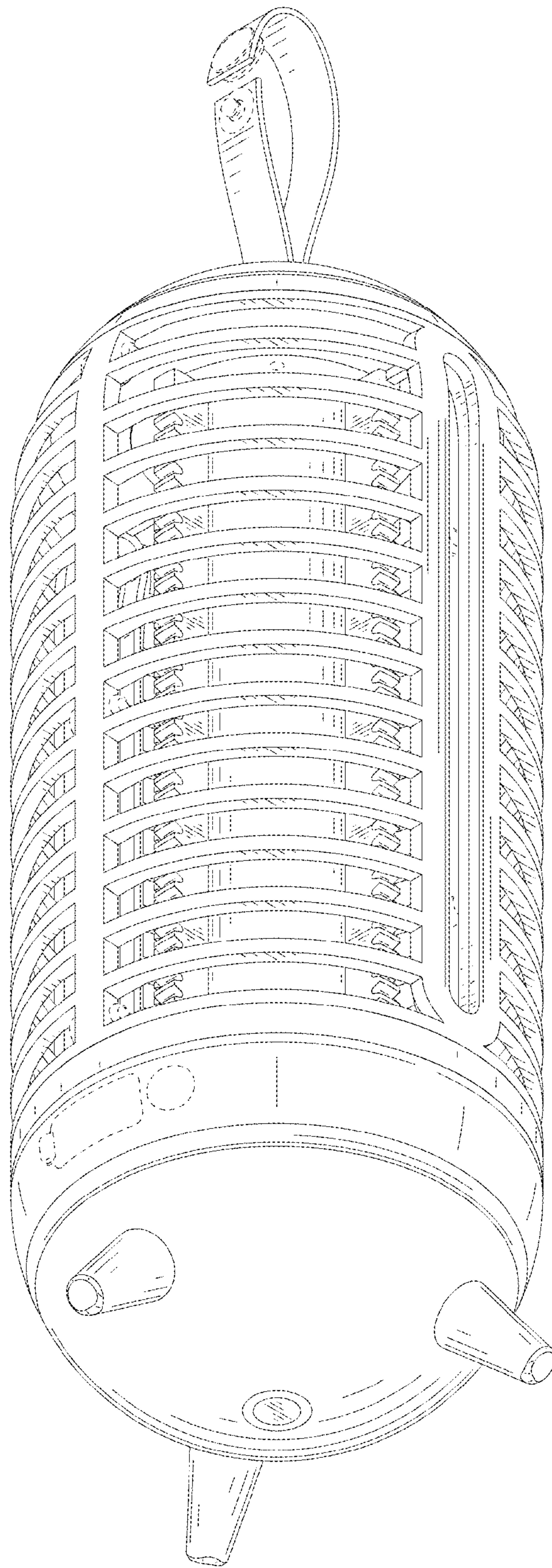


FIG. 2

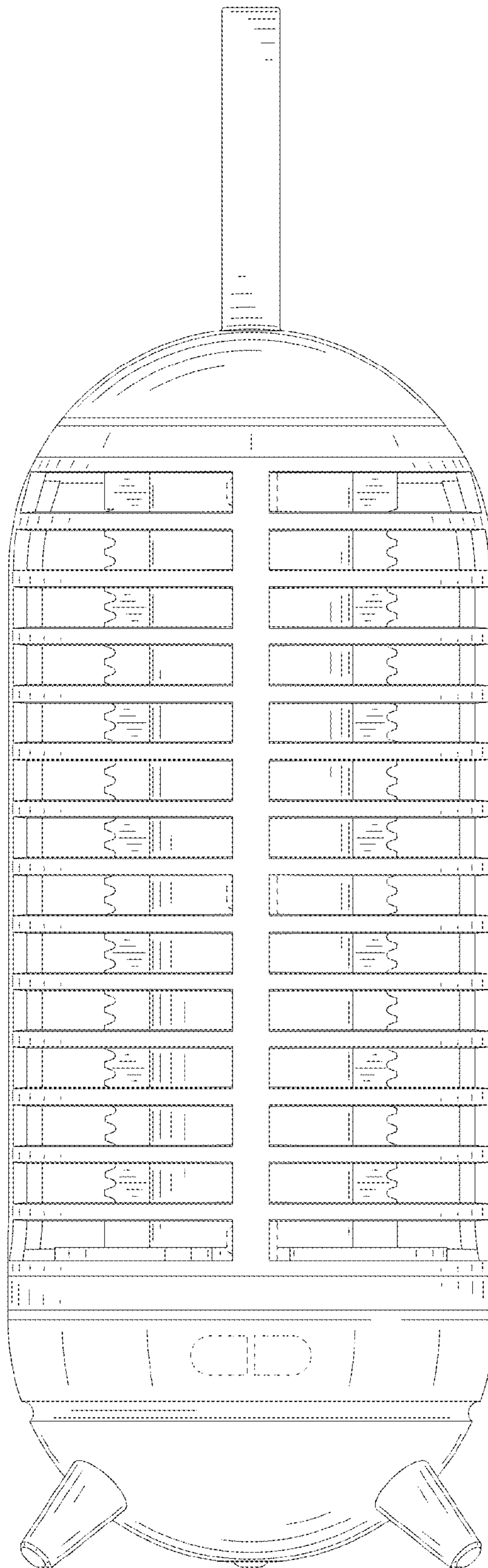


FIG. 3

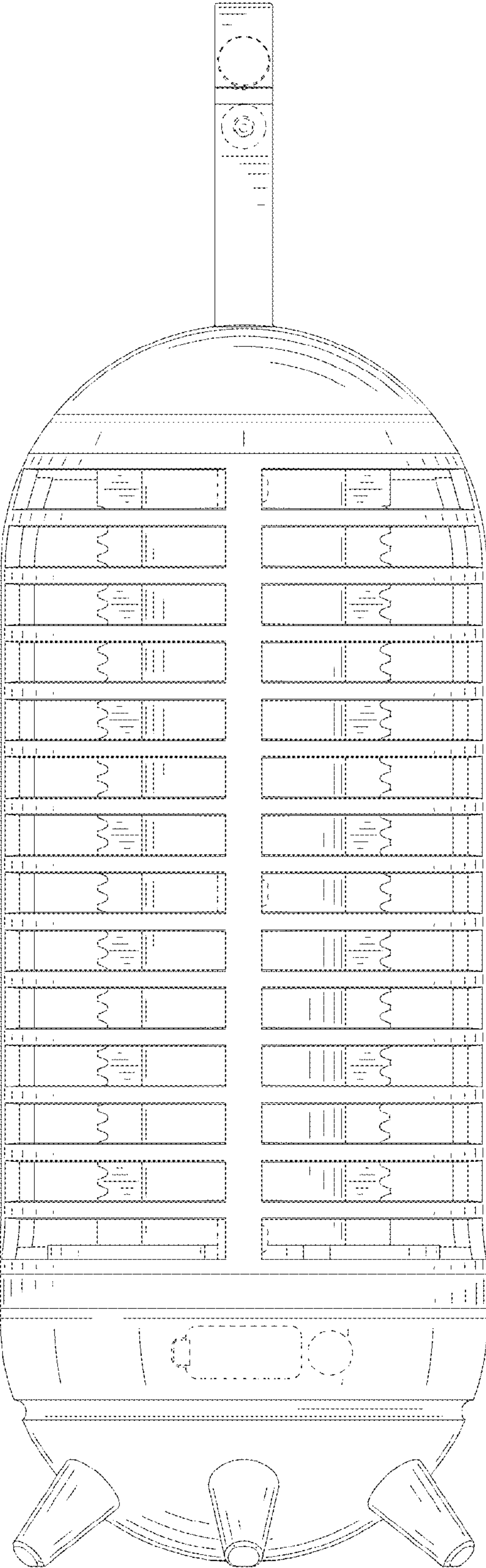


FIG. 4

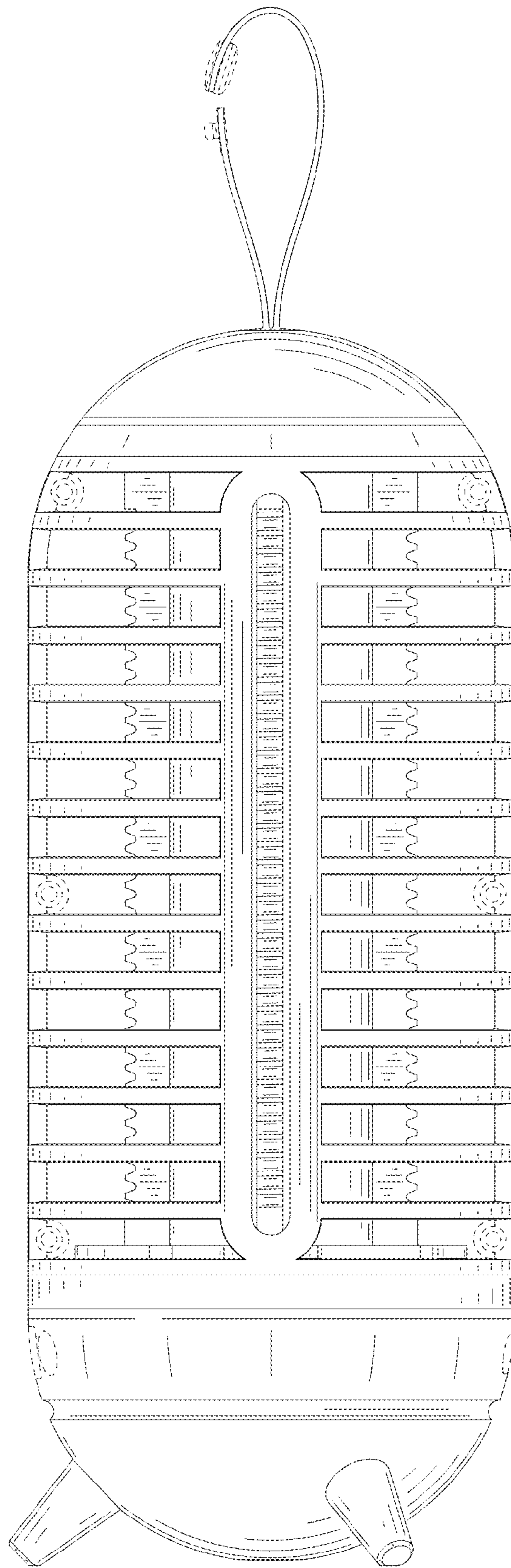


FIG. 5

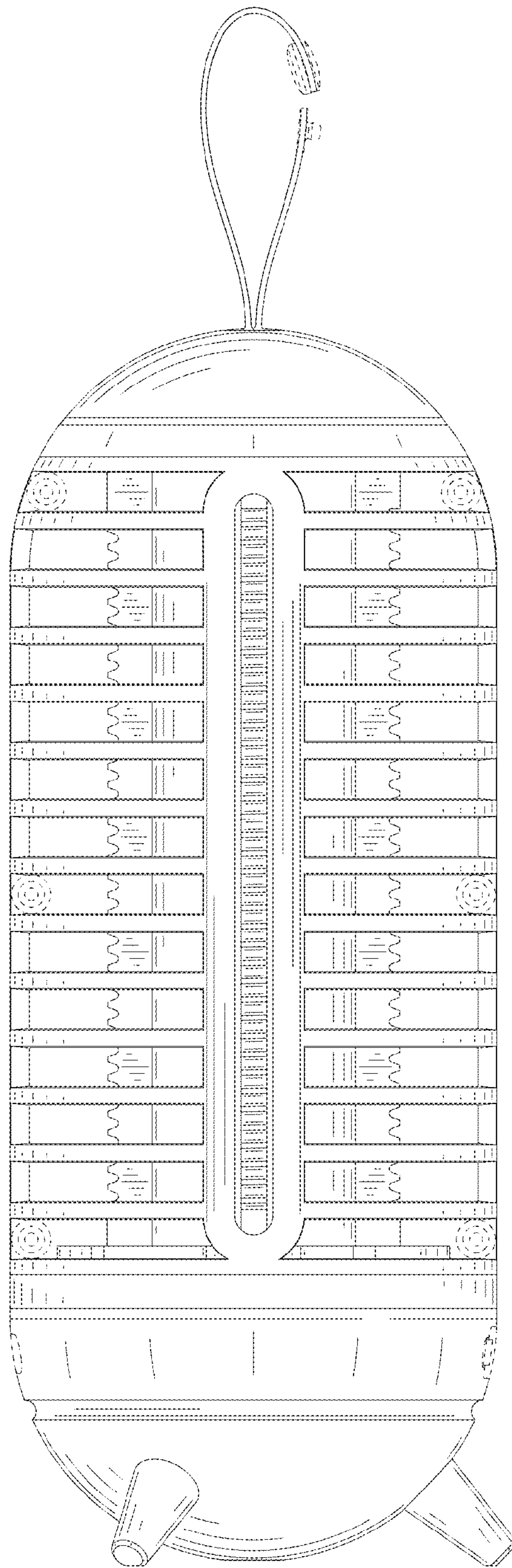


FIG. 6

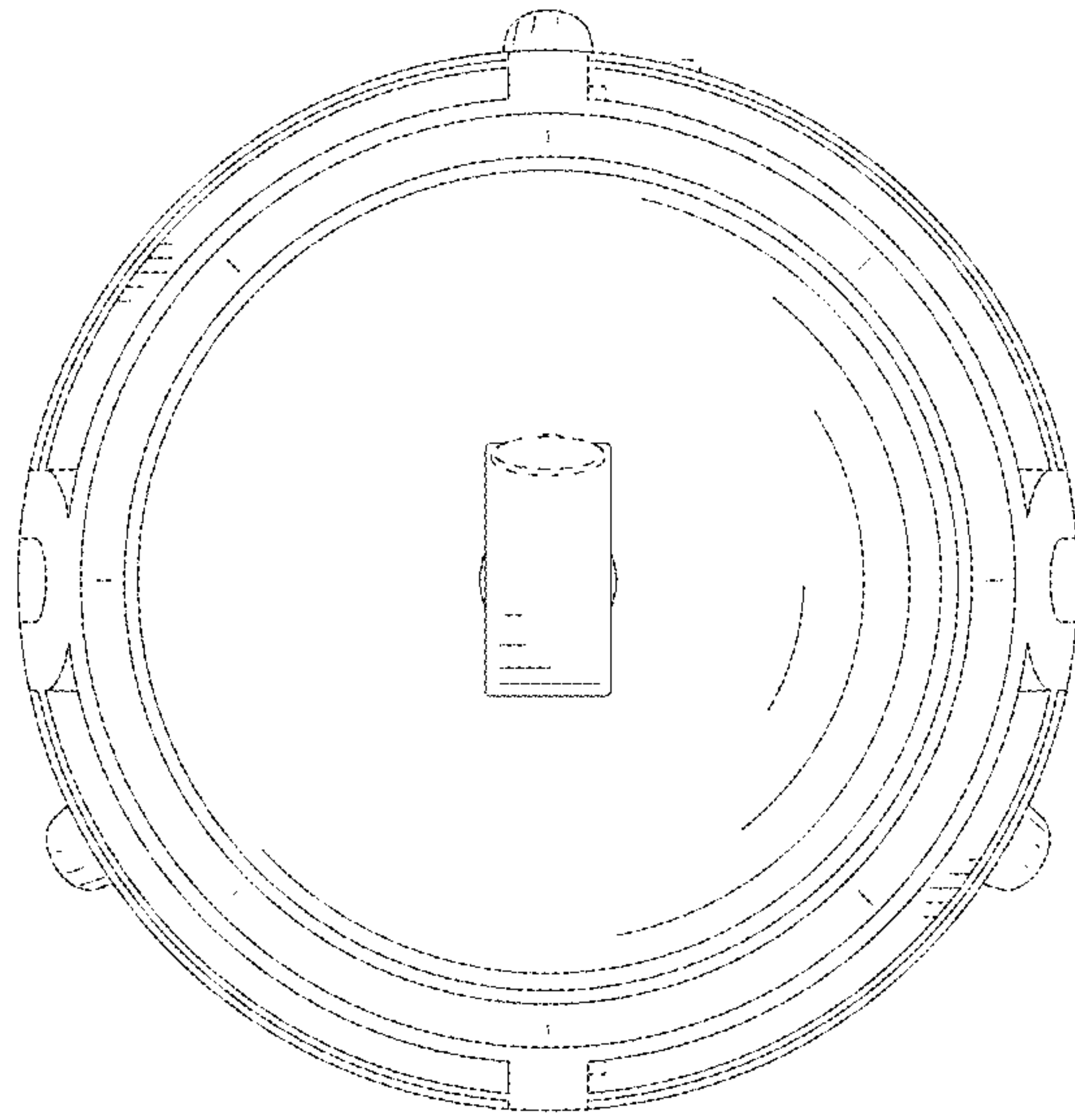


FIG. 7

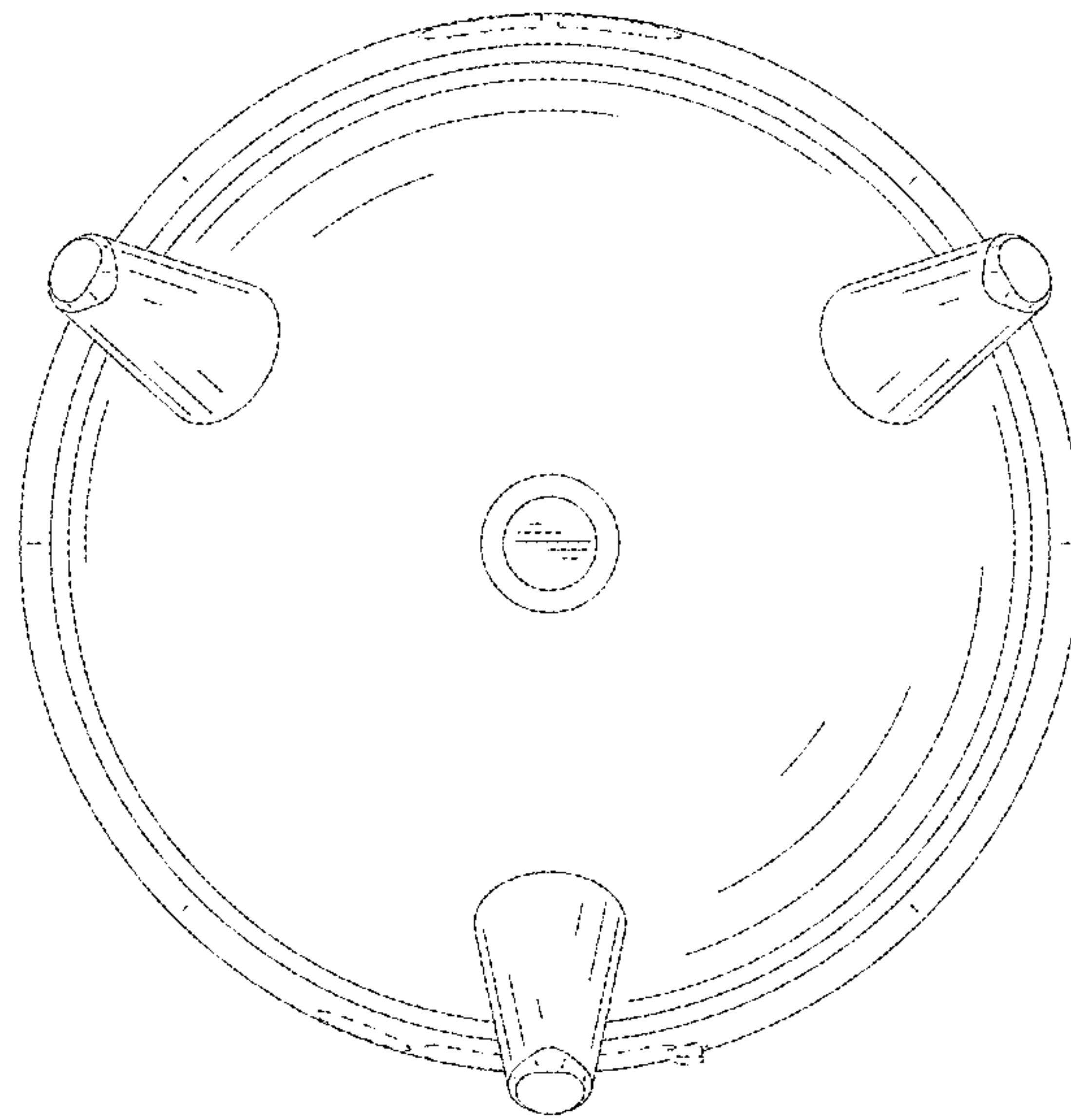


FIG. 8

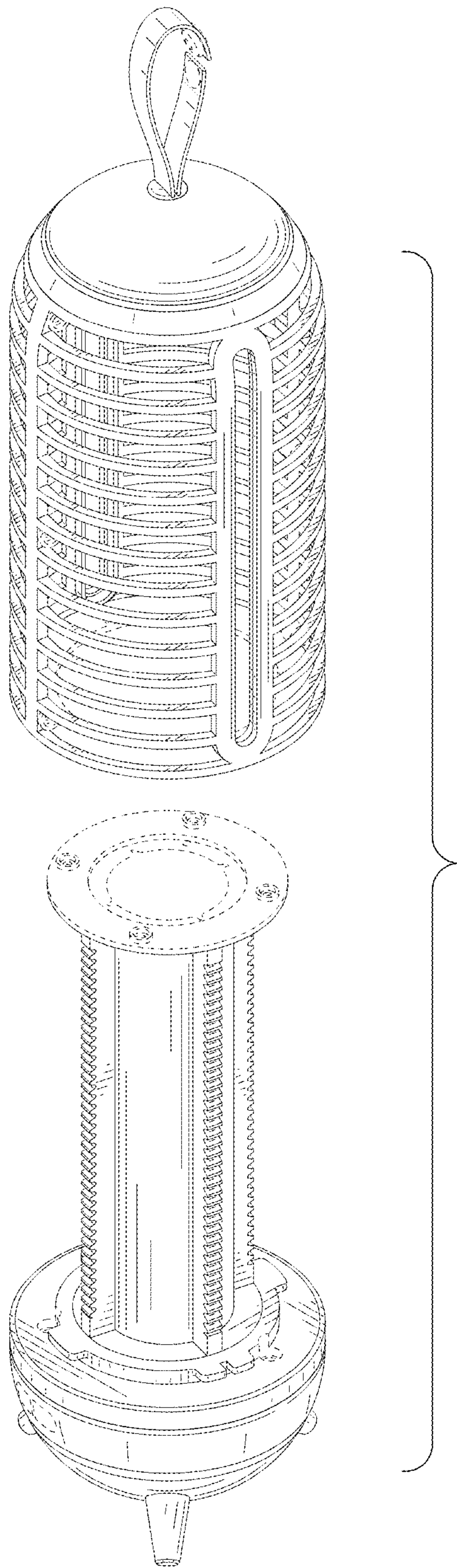


FIG. 9

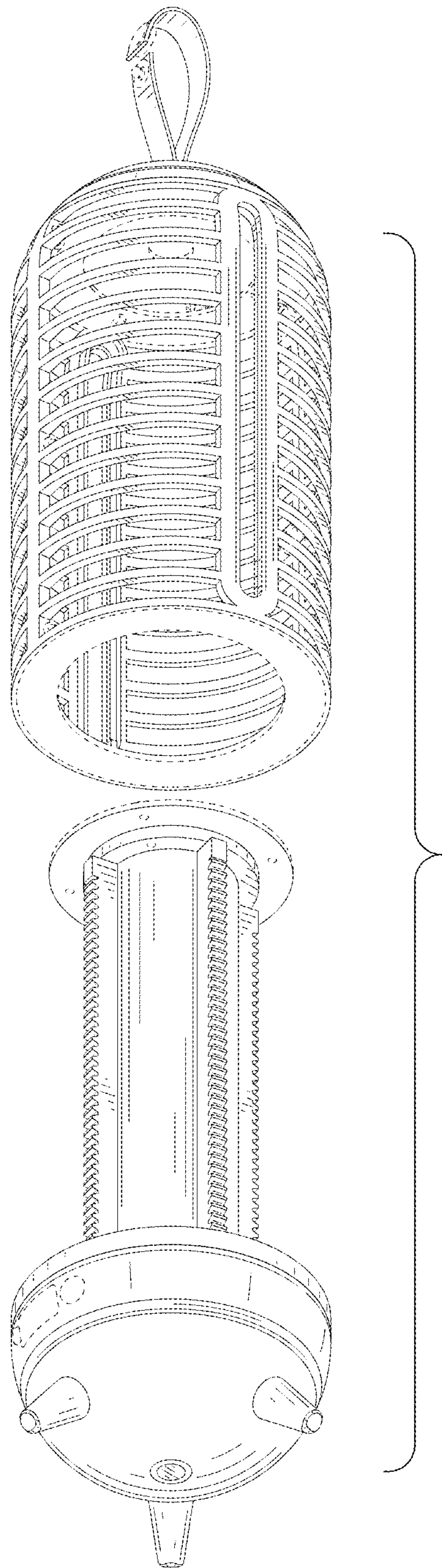


FIG. 10