



US00D979004S

(12) **United States Design Patent** (10) **Patent No.:** **US D979,004 S**  
**Franssen et al.** (45) **Date of Patent:** **\*\* Feb. 21, 2023**

(54) **FIREARM**  
(71) Applicant: **FN HERSTAL SA**, Herstal (BE)

2016/0341501 A1\* 11/2016 Kokinis ..... F41A 3/78  
2020/0200496 A1\* 6/2020 Franssen ..... F41A 9/58  
2020/0271404 A1\* 8/2020 Franssen ..... F41A 9/30  
2021/0041198 A1\* 2/2021 Franssen ..... F41A 17/56

(72) Inventors: **Pascal Franssen**, Herstal (BE); **Paul Michotte**, Trooz (BE)

**OTHER PUBLICATIONS**

(\*\*) Term: **15 Years**

“FN Herstal’s New Ultralight Machine Gun: Evolys” [online]. Eric B. [Published on May 6, 2021]. Retrieved from the Internet: <<https://www.thefirearmblog.com/blog/2021/05/06/fn-evolys-new-ultralight-machine-gun/>>.\*

(21) Appl. No.: **35/512,021**

“Here’s the New Light Machine Gun Socom Is Evaluating” [online]. Matthew Cox. [Published on Jan. 20, 2020]. Retrieved from the Internet: <<https://www.military.com/daily-news/2020/01/20/heres-new-light-machine-gun-socom-evaluating.html>>.\*

(22) Filed: **May 4, 2021**

“[IDEF 2021] Turkish Company System Defence Presents New MFR 56 Light Machine Gun” [online]. Vladimir Onokoy. [Published on Sep. 3, 2021]. Retrieved from the Internet: <<https://www.thefirearmblog.com/blog/2021/09/03/idef-2021-turkish-system-defence-mfr-56-light-machine-gun/>>.\*

(80) **Hague Agreement Data**

Int. Filing Date: **May 4, 2021**  
Int. Reg. No.: **DM/214656**  
Int. Reg. Date: **May 4, 2021**  
Int. Reg. Pub. Date: **Jun. 18, 2021**

\* cited by examiner

(51) **LOC (14) Cl.** ..... **22-01**

*Primary Examiner* — Mojtaba Tehrani

(52) **U.S. Cl.**  
USPC ..... **D22/103**

(57) **CLAIM**

(58) **Field of Classification Search**  
USPC ..... D22/100, 103, 108, 109; D21/567, 570, D21/573  
CPC ..... F41C 7/00; F41C 23/00; F16B 37/047; F16L 27/1274

We claim the ornamental design for a firearm, as shown and described.

See application file for complete search history.

**DESCRIPTION**

(56) **References Cited**

FIG. 1.1 is a right side elevational view of a firearm showing my new design;

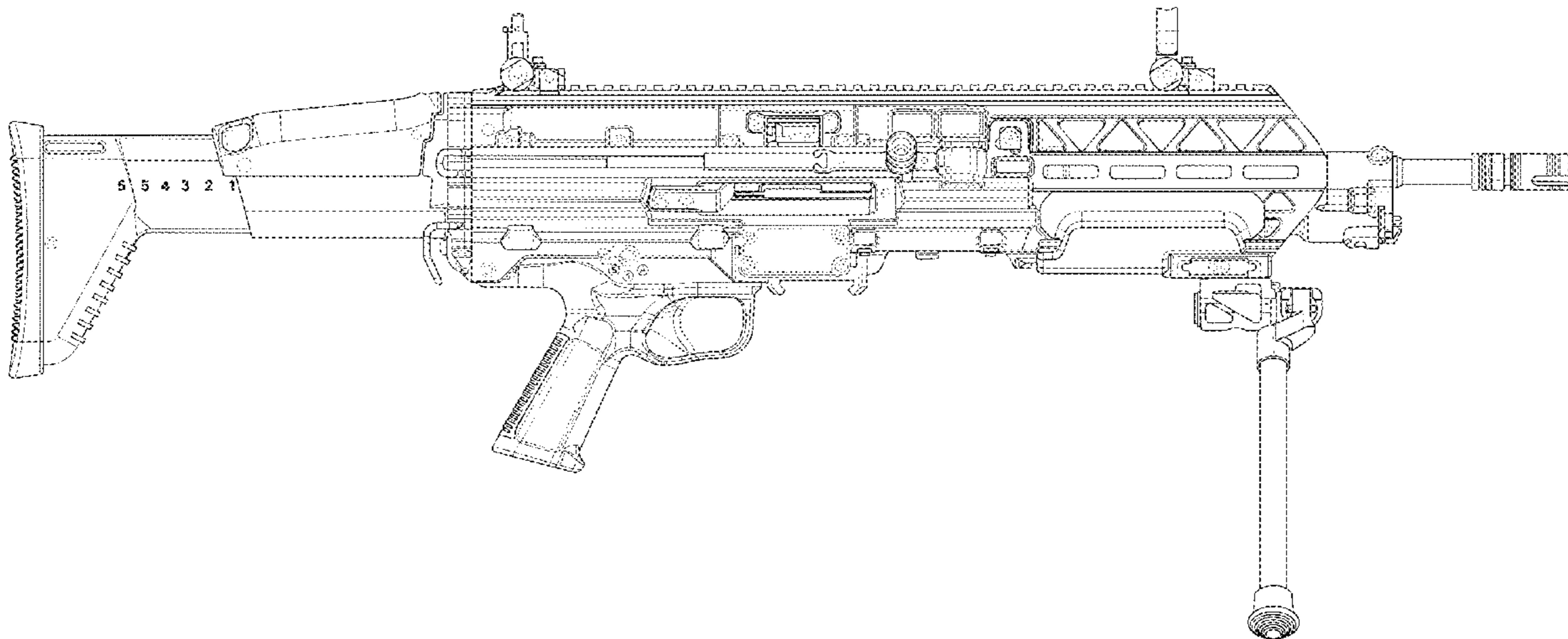
**U.S. PATENT DOCUMENTS**

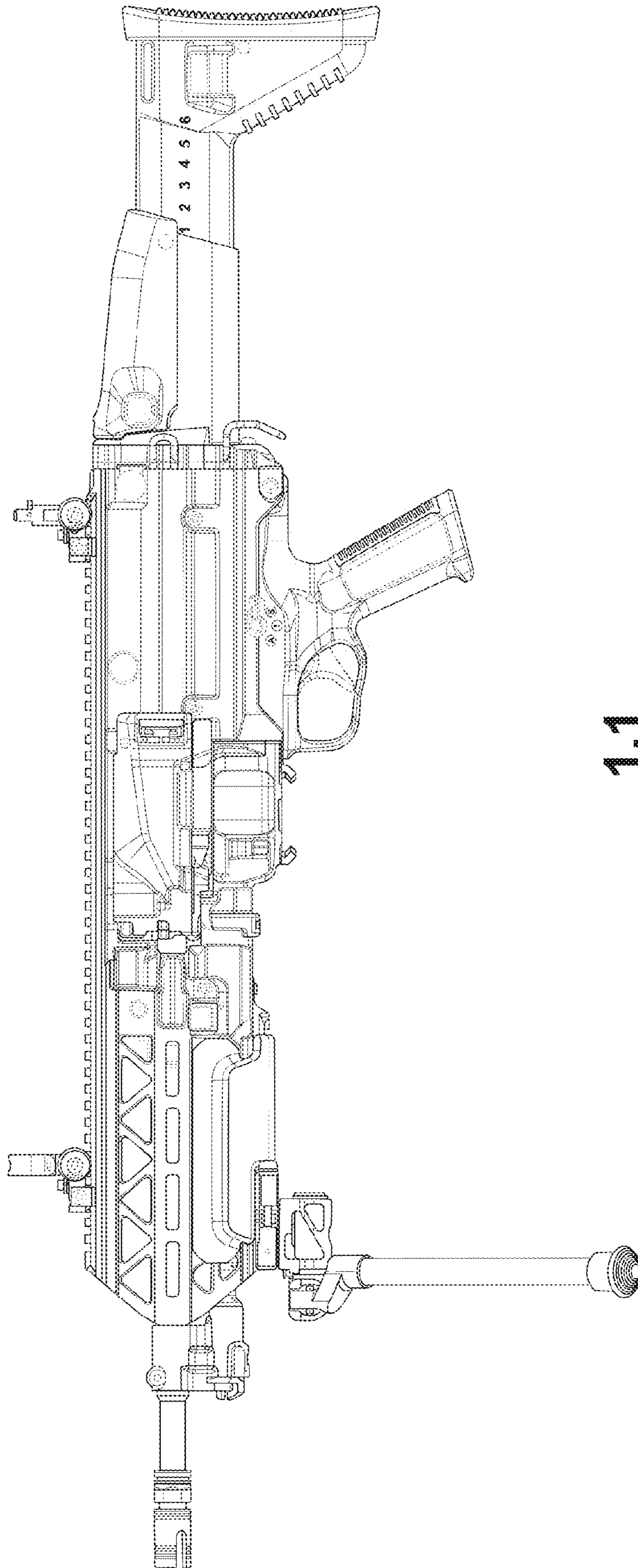
D641,824 S \* 7/2011 Gridelet ..... D22/103  
D777,282 S \* 1/2017 Menu ..... F41A 9/01  
D795,981 S \* 8/2017 Martelli ..... D22/103  
D799,629 S \* 10/2017 Barrett ..... D22/103  
D897,477 S \* 9/2020 Jonsson ..... D22/108  
2016/0290753 A1\* 10/2016 Sewell, Jr. .... F41A 3/72  
2016/0305725 A1\* 10/2016 Patel ..... F41A 9/29

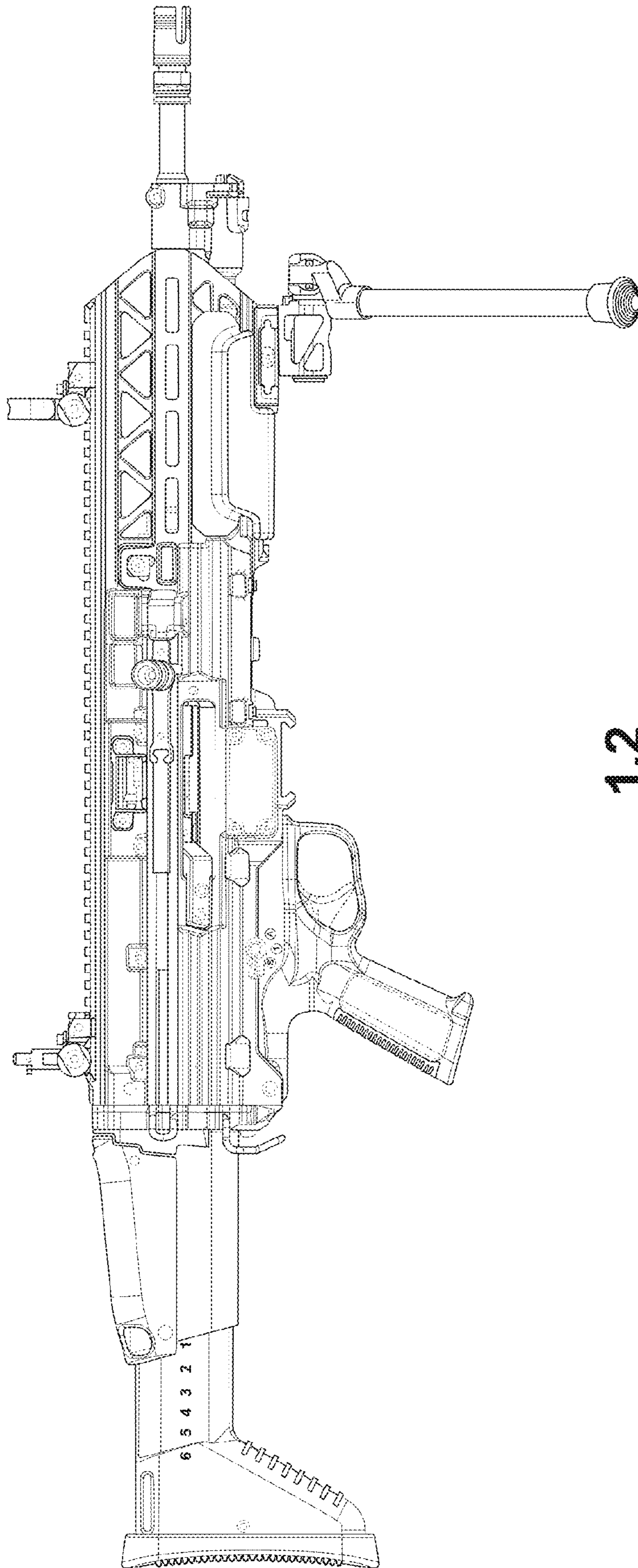
FIG. 1.2 is a left side elevational view thereof;  
FIG. 1.3 is a front rear elevational view thereof;  
FIG. 1.4 is a rear elevational view thereof;  
FIG. 1.5 is a top plan view thereof; and  
FIG. 1.6 is a bottom plan view thereof.

The broken lines in the drawings are shown for the purpose of illustrating portions of the firearm and form no part of the claimed design.

**1 Claim, 6 Drawing Sheets**

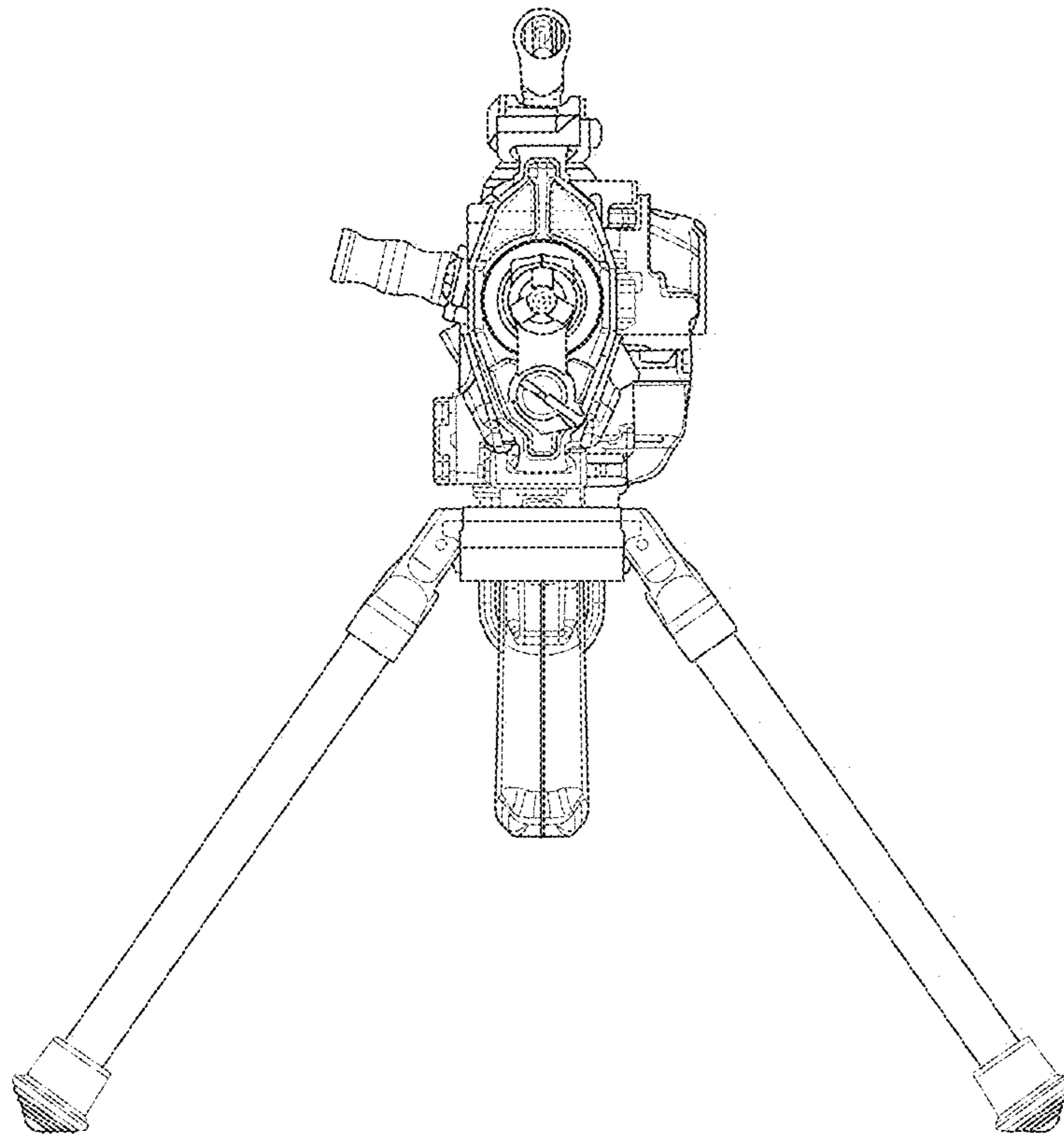




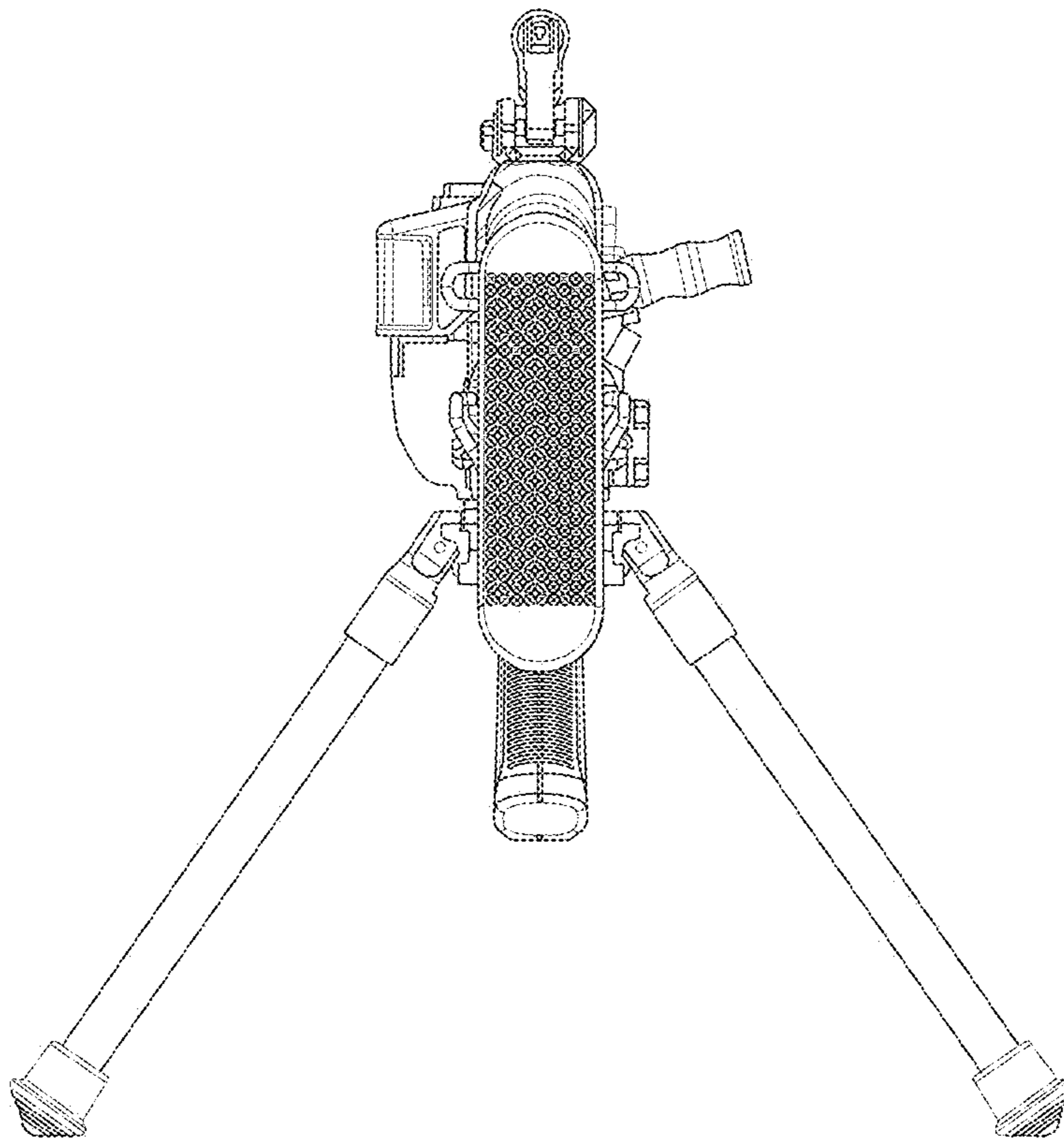


1.2

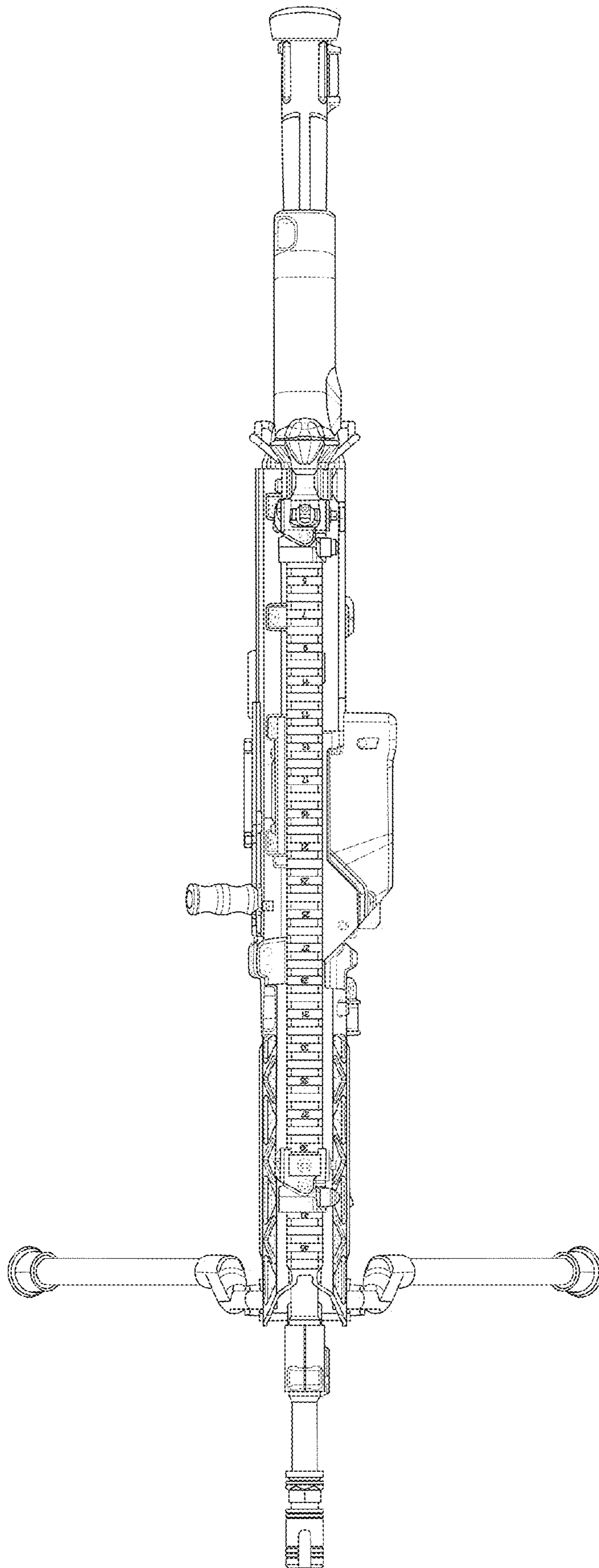
6 5 4 3 2 1



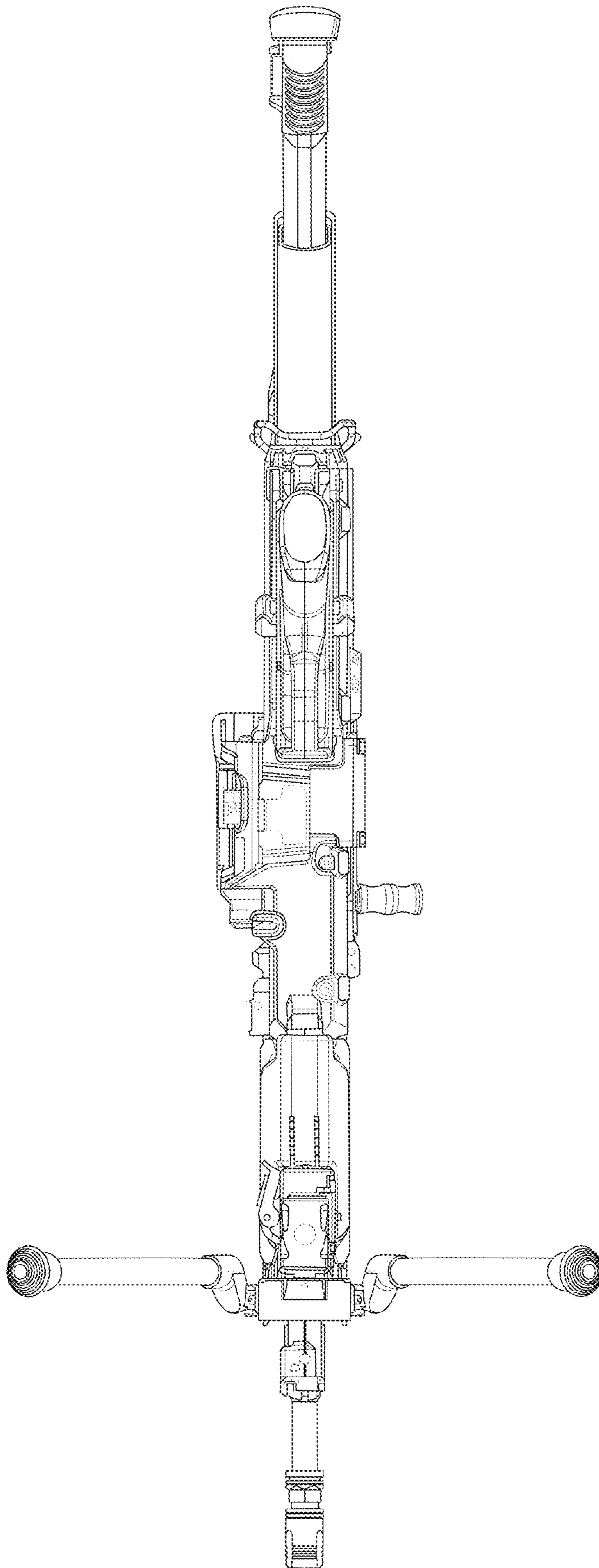
1.3



1.4



1.5



1.6