



US00D979003S

(12) **United States Design Patent**  
**Fitzgibbins**

(10) **Patent No.:** **US D979,003 S**

(45) **Date of Patent:** **\*\* Feb. 21, 2023**

(54) **CONNECTOR**

(71) Applicant: **Oztent Australia Pty. Limited,**  
Wetherill Park (AU)

(72) Inventor: **Trent Fitzgibbins,** Wetherill Park (AU)

(73) Assignee: **OZTENT AUSTRALIA PTY.**  
**LIMITED,** Wetherill Park (AU)

(\*\*) Term: **15 Years**

(21) Appl. No.: **29/737,001**

(22) Filed: **Jun. 4, 2020**

(30) **Foreign Application Priority Data**

Dec. 4, 2019 (AU) ..... 201916918

(51) **LOC (14) Cl.** ..... **21-04**

(52) **U.S. Cl.**  
USPC ..... **D21/839**

(58) **Field of Classification Search**  
USPC ..... D8/382, 349, 354, 366, 371, 380, 381;  
D21/839, 840

CPC .... F16M 13/025; F16M 13/027; F16M 13/02;  
F16M 13/022; F16M 2200/08; E04H  
15/62; E04H 17/009

See application file for complete search history.

(56) **References Cited**

**U.S. PATENT DOCUMENTS**

- D224,082 S \* 7/1972 Kolstee ..... D8/382
- D267,534 S \* 1/1983 Zwissler ..... D8/382
- D289,605 S \* 5/1987 Lytle ..... D8/381
- 4,709,897 A \* 12/1987 Mooney ..... F16M 13/00  
248/300
- 4,782,846 A \* 11/1988 Ting ..... E04H 15/62  
135/120.3
- D317,250 S \* 6/1991 Shook ..... D8/380
- D334,815 S \* 4/1993 Bunger ..... D21/501

6,045,103 A \* 4/2000 Costa ..... F16M 11/10  
211/119.06

D427,894 S \* 7/2000 Benz ..... D8/382

D428,804 S \* 8/2000 Benz ..... D8/382

(Continued)

**FOREIGN PATENT DOCUMENTS**

CN 3465880 \* 8/2005

CN 305538210 \* 1/2020

(Continued)

**OTHER PUBLICATIONS**

Oztent Replacement Parts—Foot, Image upload date: Unknown,  
Image retrieved on: May 20, 2022, <<https://oztent.com/collections/tent-spare-parts/products/oztent-replacement-parts-foot>>.\*

*Primary Examiner* — Sheryl Lane

*Assistant Examiner* — Ieisha N Price

(74) *Attorney, Agent, or Firm* — Dority & Manning, P.A.

(57) **CLAIM**

The ornamental design for a connector, as shown and described.

**DESCRIPTION**

FIG. 1 is a bottom, front perspective view of a first embodiment of a connector according to the present design;  
FIG. 2 is a top, front perspective view of the connector of FIG. 1;

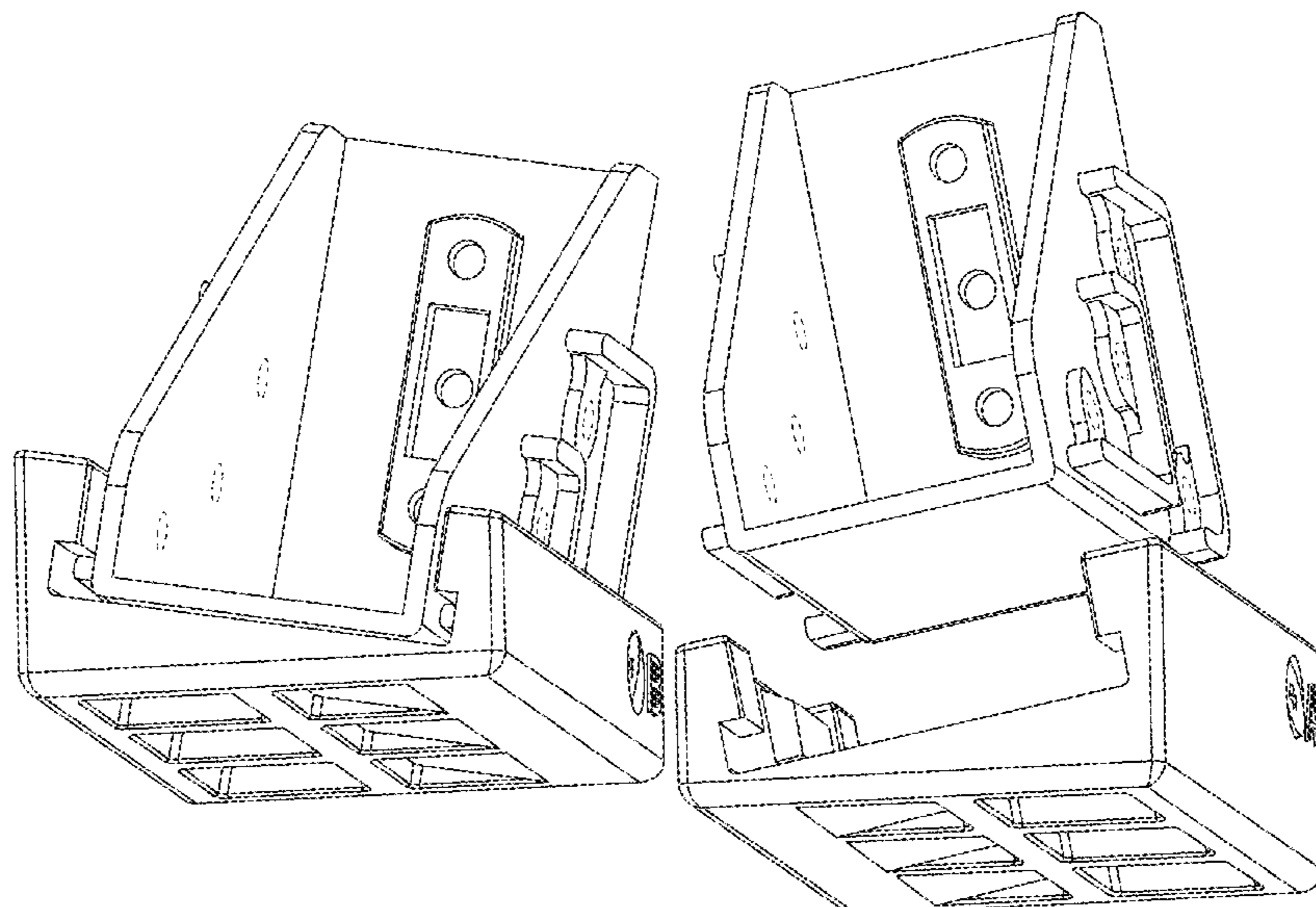
FIG. 3 is a right, rear perspective view of the connector of FIG. 1;

FIG. 4 is a bottom, front perspective view of a second embodiment of a connector according to the present design showing a first portion of the connector separated from a second portion of the connector;

FIG. 5 is a top, front perspective view of the connector of FIG. 4; and,

FIG. 6 is a right, rear perspective view of the connector of FIG. 4.

**1 Claim, 3 Drawing Sheets**



(56)

References Cited

U.S. PATENT DOCUMENTS

D437,282 S \* 2/2001 Joll ..... D12/223  
 D443,672 S \* 6/2001 Yager ..... D21/839  
 6,269,825 B1 \* 8/2001 Yager ..... E04H 15/62  
 135/120.1  
 D474,958 S \* 5/2003 Perdue ..... D8/349  
 6,817,157 B2 \* 11/2004 Bourque ..... E04B 1/003  
 52/712  
 7,014,383 B2 \* 3/2006 Schmid ..... E04H 9/14  
 403/231  
 D557,117 S \* 12/2007 Cannaverde ..... D8/354  
 7,316,378 B1 \* 1/2008 Curran ..... A47F 5/0068  
 248/298.1  
 D576,472 S \* 9/2008 Gaiardo ..... D8/354  
 D616,735 S \* 6/2010 Shaw ..... D8/382  
 7,849,867 B2 \* 12/2010 Takayama ..... E04H 15/60  
 135/114  
 D653,102 S \* 1/2012 Kalous ..... D8/382  
 8,225,575 B2 \* 7/2012 Gadd ..... E04B 1/2612  
 52/713  
 D678,045 S \* 3/2013 Paolini ..... D8/382  
 D697,391 S \* 1/2014 Le ..... D8/382  
 D710,792 S \* 8/2014 Cai ..... D13/102  
 D714,616 S \* 10/2014 Walker ..... D8/349  
 D750,603 S \* 3/2016 Venghaus ..... D14/238  
 D760,857 S \* 7/2016 Matthews ..... D21/839  
 D782,292 S \* 3/2017 Wessel ..... D8/382  
 D787,304 S \* 5/2017 Rathman ..... D8/380  
 D829,537 S \* 10/2018 Smith ..... D8/366  
 D835,973 S \* 12/2018 Bertato ..... D8/354

D851,195 S \* 6/2019 Anderson ..... D21/839  
 D861,006 S \* 9/2019 Maslana ..... D14/457  
 D866,293 S \* 11/2019 Gibb ..... D8/349  
 D866,305 S \* 11/2019 Mercier ..... D8/380  
 D888,865 S \* 6/2020 Maenza ..... D21/839  
 D902,701 S \* 11/2020 Smith ..... D8/366  
 D906,788 S \* 1/2021 Ochi ..... D8/354  
 D927,293 S \* 8/2021 Axelsson ..... D8/382  
 D927,294 S \* 8/2021 Axelsson ..... D8/382  
 D932,580 S \* 10/2021 Lovley, II ..... D21/839  
 2004/0099780 A1 \* 5/2004 McGee ..... E03F 5/02  
 248/289.11  
 2009/0173036 A1 \* 7/2009 Hand ..... E04B 2/96  
 52/715  
 2014/0054428 A1 \* 2/2014 Walker ..... E04F 11/1812  
 248/218.4  
 2014/0312167 A1 \* 10/2014 Rupp ..... B64D 41/007  
 244/54  
 2015/0097102 A1 \* 4/2015 Cassidy ..... A47B 81/06  
 248/558  
 2015/0197344 A1 \* 7/2015 Farnes ..... F16M 13/02  
 224/555  
 2017/0122491 A1 \* 5/2017 Mancuso ..... F16M 13/02  
 2018/0352955 A1 \* 12/2018 Corbo ..... H05K 5/0234  
 2021/0237565 A1 \* 8/2021 Carpenter ..... F16M 13/022

FOREIGN PATENT DOCUMENTS

CN 306588983 \* 6/2021  
 KR 301114137.0000 \* 6/2021

\* cited by examiner

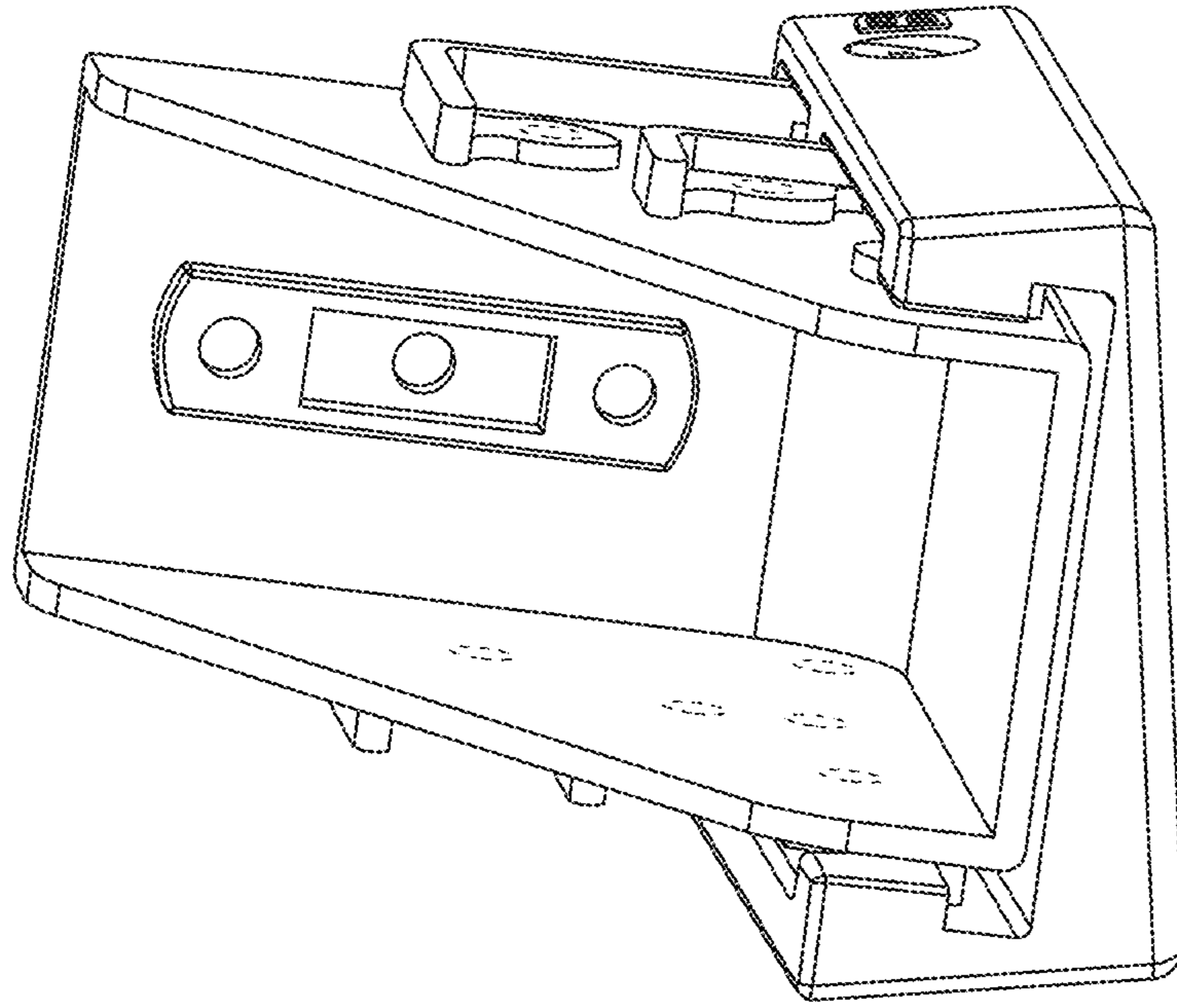


FIG. 2

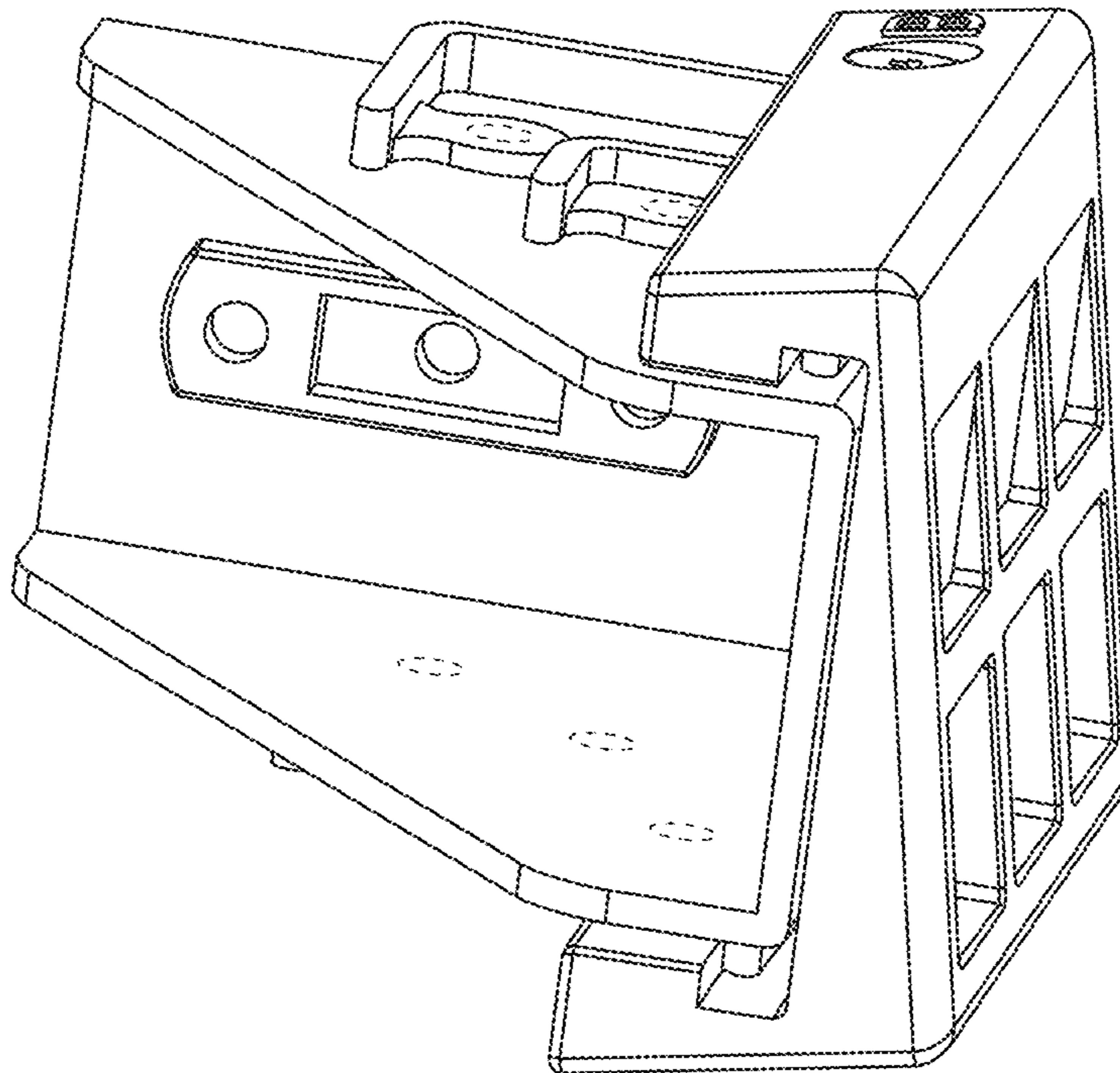


FIG. 1

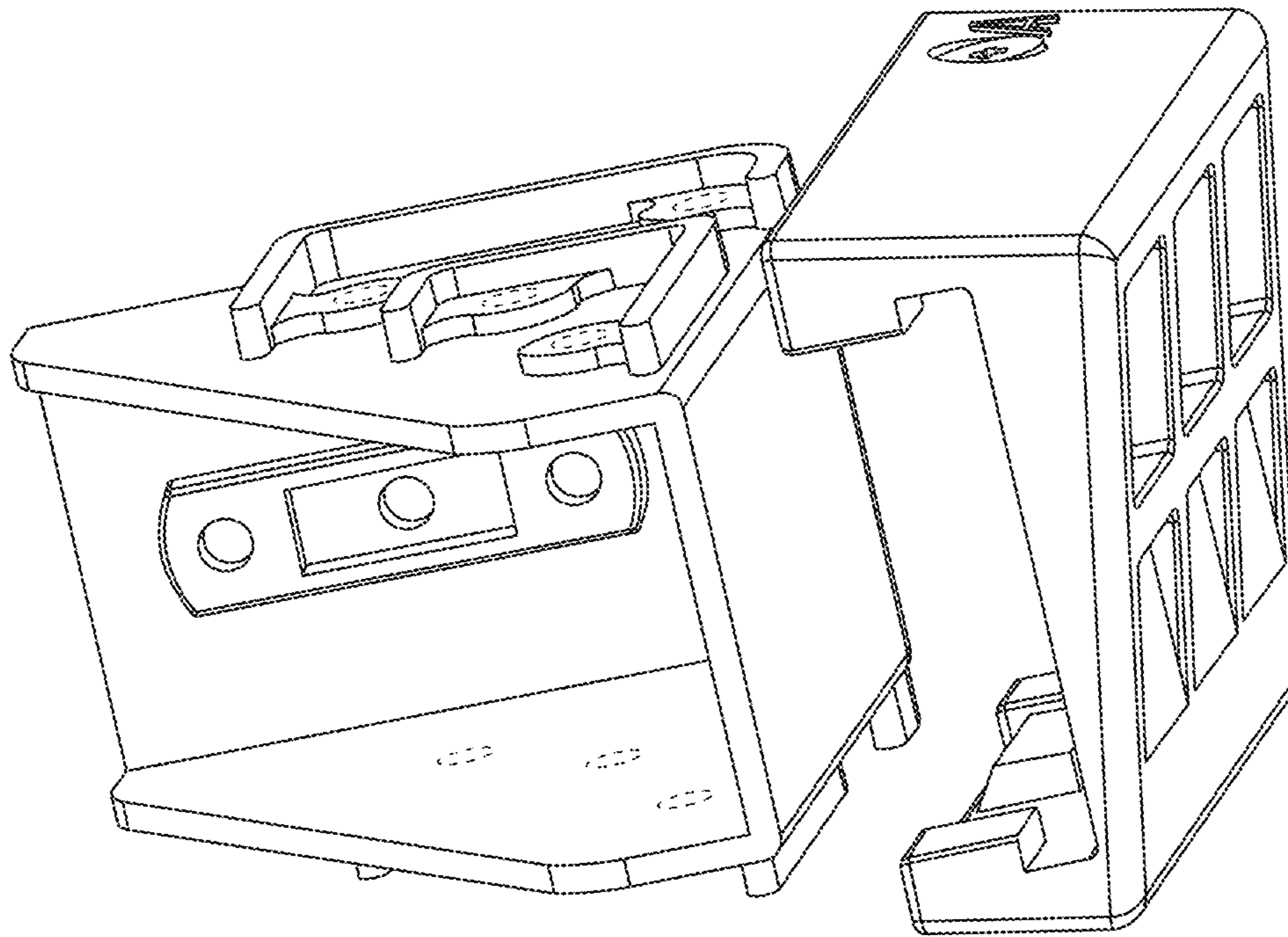


FIG. 4

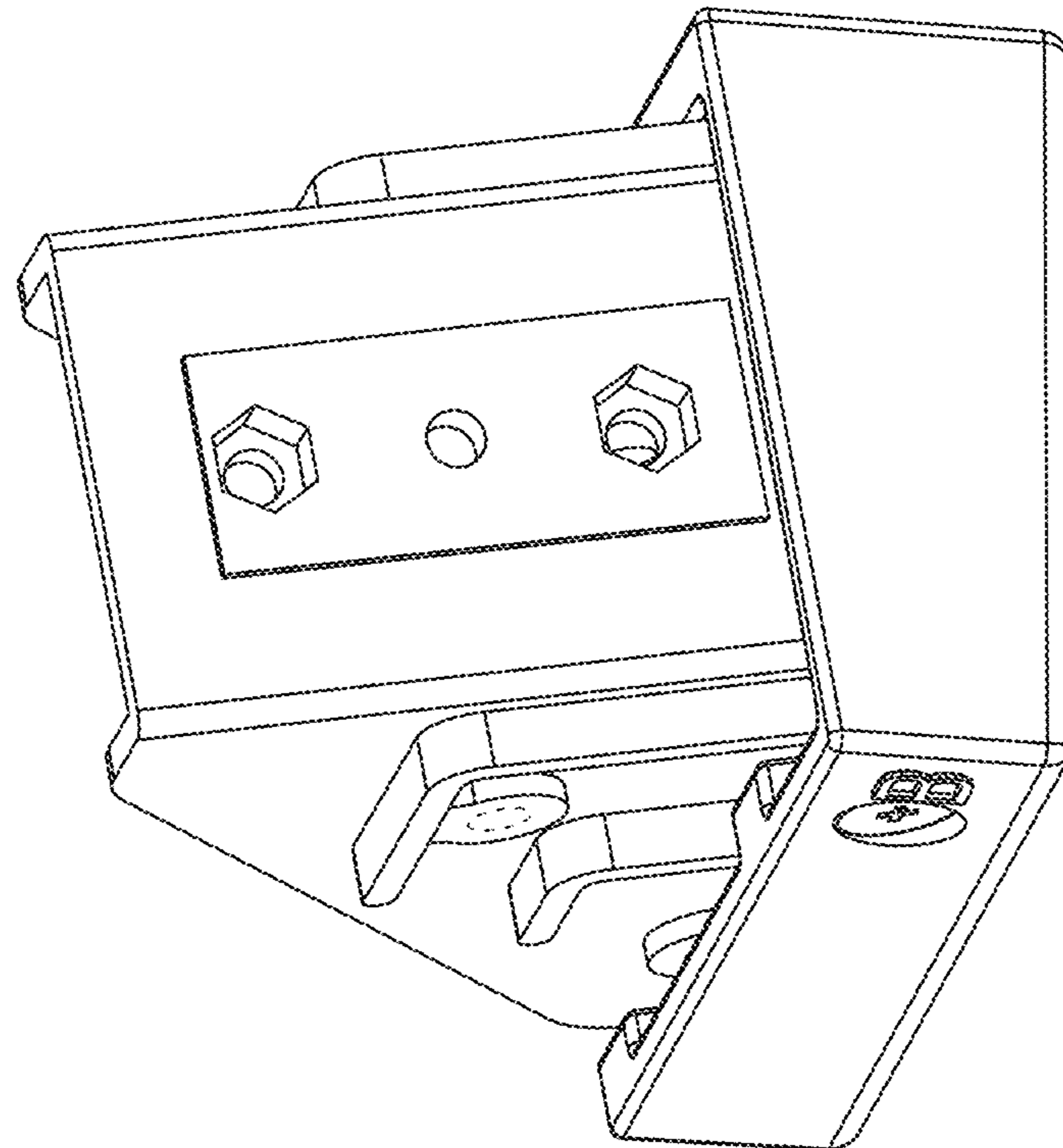


FIG. 3

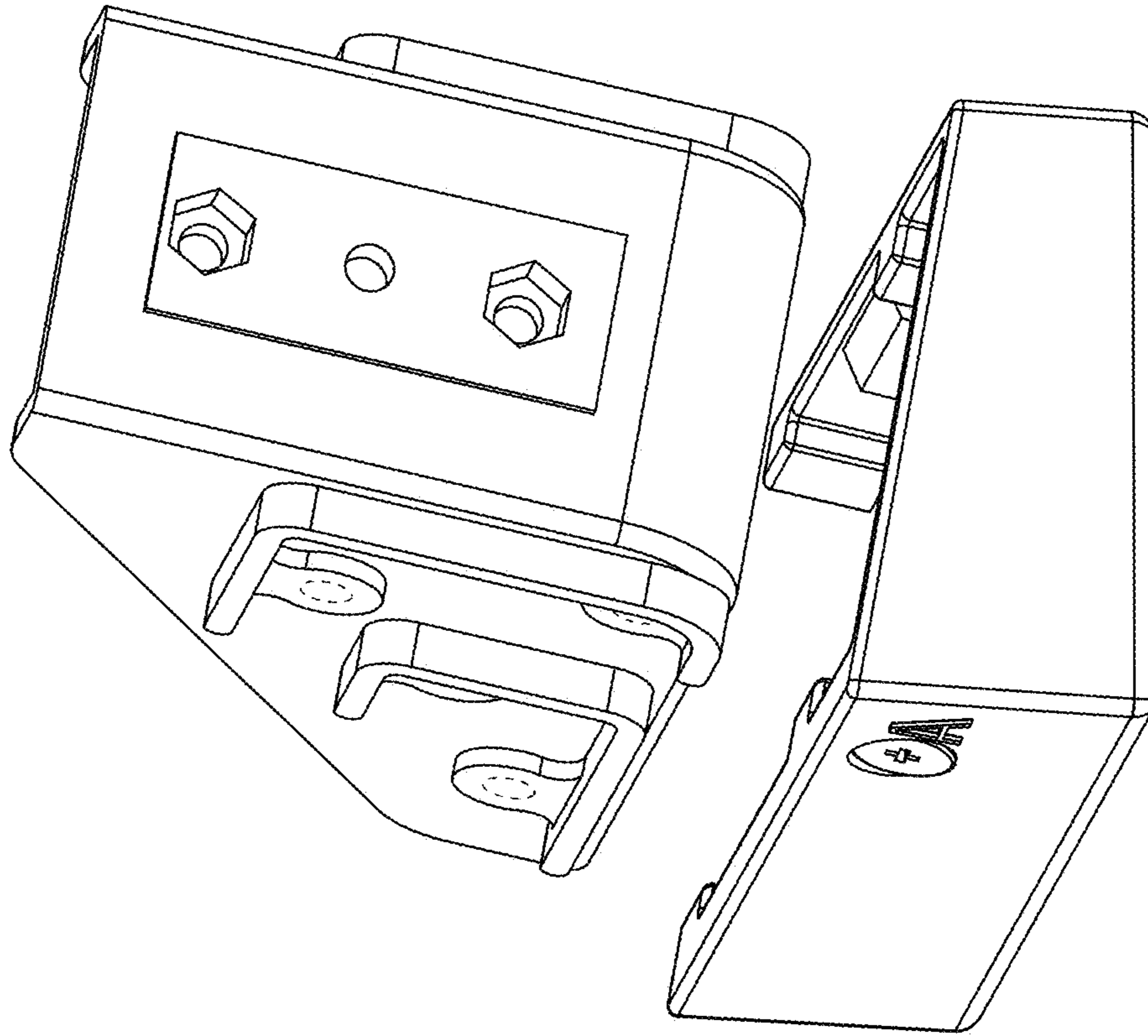


FIG. 6

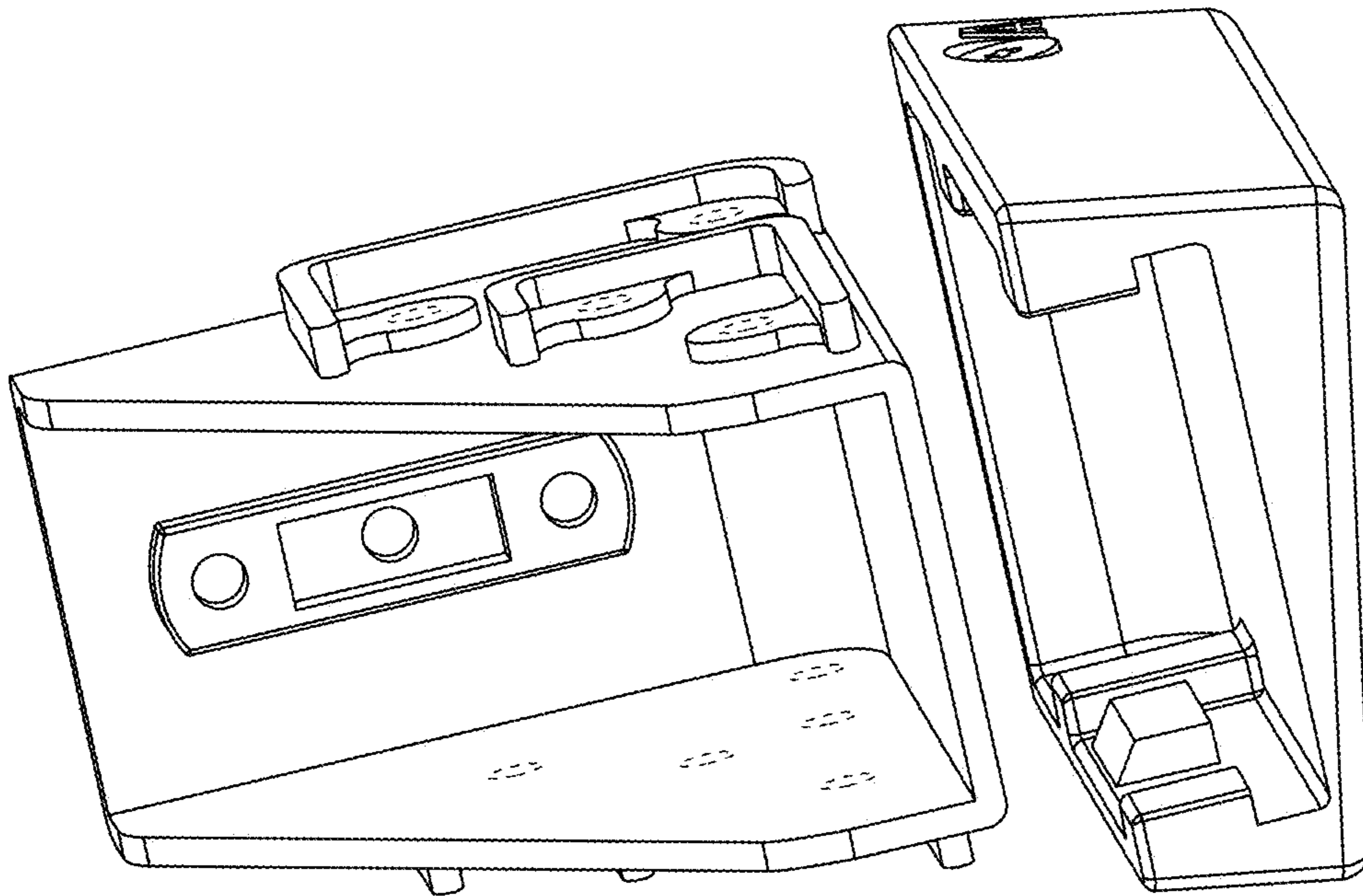


FIG. 5