



US00D979002S

(12) **United States Design Patent**  
**Sargent**

(10) **Patent No.:** **US D979,002 S**

(45) **Date of Patent:** **\*\* Feb. 21, 2023**

(54) **PORTABLE SHELTER WITH INTERNAL  
REMOVABLE TENT**

(71) Applicant: **eBrands Global Oy**, Helsinki (FI)

(72) Inventor: **Nathan Thomas Sargent**, Oceanside,  
CA (US)

(73) Assignee: **eBrands Global Oy**, Helsinki (FI)

(\*\*) Term: **15 Years**

(21) Appl. No.: **29/833,262**

(22) Filed: **Apr. 1, 2022**

(51) **LOC (14) Cl.** ..... **21-04**

(52) **U.S. Cl.**  
USPC ..... **D21/837**; D21/834

(58) **Field of Classification Search**  
USPC ..... D21/834, 837, 838  
CPC ..... E04H 15/42; E04H 15/46; E04H 15/00;  
E04H 15/405; E04H 15/003; E04H  
1/1244; E04H 2015/203; E04H 4/108  
See application file for complete search history.

(56) **References Cited**

**U.S. PATENT DOCUMENTS**

|                |         |           |       |            |
|----------------|---------|-----------|-------|------------|
| D403,041 S *   | 12/1998 | Funk      | ..... | D21/834    |
| D420,414 S *   | 2/2000  | Lah       | ..... | D21/834    |
| D652,886 S *   | 1/2012  | Pedersen  | ..... | D21/834    |
| D689,579 S     | 9/2013  | Barker    |       |            |
| D691,688 S     | 10/2013 | Pescovitz |       |            |
| D695,376 S *   | 12/2013 | Jin       | ..... | D21/834    |
| D702,791 S *   | 4/2014  | Jin       | ..... | D21/834    |
| 9,140,030 B2 * | 9/2015  | Jin       | ..... | E04H 15/42 |
| D741,437 S     | 10/2015 | Zimmer    |       |            |
| D775,702 S     | 1/2017  | Barker    |       |            |
| D822,783 S *   | 7/2018  | Xu        | ..... | D21/837    |
| D824,475 S *   | 7/2018  | Xu        | ..... | D21/837    |
| D838,801 S *   | 1/2019  | Chaklos   | ..... | D21/834    |
| D844,087 S     | 3/2019  | Chaklos   |       |            |
| D845,422 S *   | 4/2019  | Chaklos   | ..... | D21/834    |

|              |         |         |       |         |
|--------------|---------|---------|-------|---------|
| D864,333 S * | 10/2019 | Wu      | ..... | D21/834 |
| D872,209 S * | 1/2020  | Zhu     | ..... | D21/837 |
| D910,138 S * | 2/2021  | Chen    | ..... | D21/837 |
| D910,795 S * | 2/2021  | Zhu     | ..... | D21/837 |
| D921,811 S * | 6/2021  | Cheng   | ..... | D21/834 |
| D926,908 S   | 8/2021  | Wright  |       |         |
| D932,579 S   | 10/2021 | Barnett |       |         |
| D933,769 S * | 10/2021 | Cheng   | ..... | D21/834 |

(Continued)

**FOREIGN PATENT DOCUMENTS**

|    |               |        |
|----|---------------|--------|
| EM | 0026330570040 | 2/2015 |
| EM | 0026330570041 | 2/2015 |

(Continued)

**OTHER PUBLICATIONS**

Oweeio, Camping Pop Up, Mar. 18, 2022, amazon.com, retrieved Sep. 20, 2022, [https://www.amazon.com/dp/B09VXM9WXT/ref=sspa\\_dk\\_detail\\_0?ie=UTF8&s=sporting-goods&sp\\_csd=d2lkZ2V0TmFtZT1zcF9kZXRhaWwy&th=1](https://www.amazon.com/dp/B09VXM9WXT/ref=sspa_dk_detail_0?ie=UTF8&s=sporting-goods&sp_csd=d2lkZ2V0TmFtZT1zcF9kZXRhaWwy&th=1) (Year: 2022).\*

*Primary Examiner* — Katherine A Holbrow  
(74) *Attorney, Agent, or Firm* — Esplin & Associates, PC

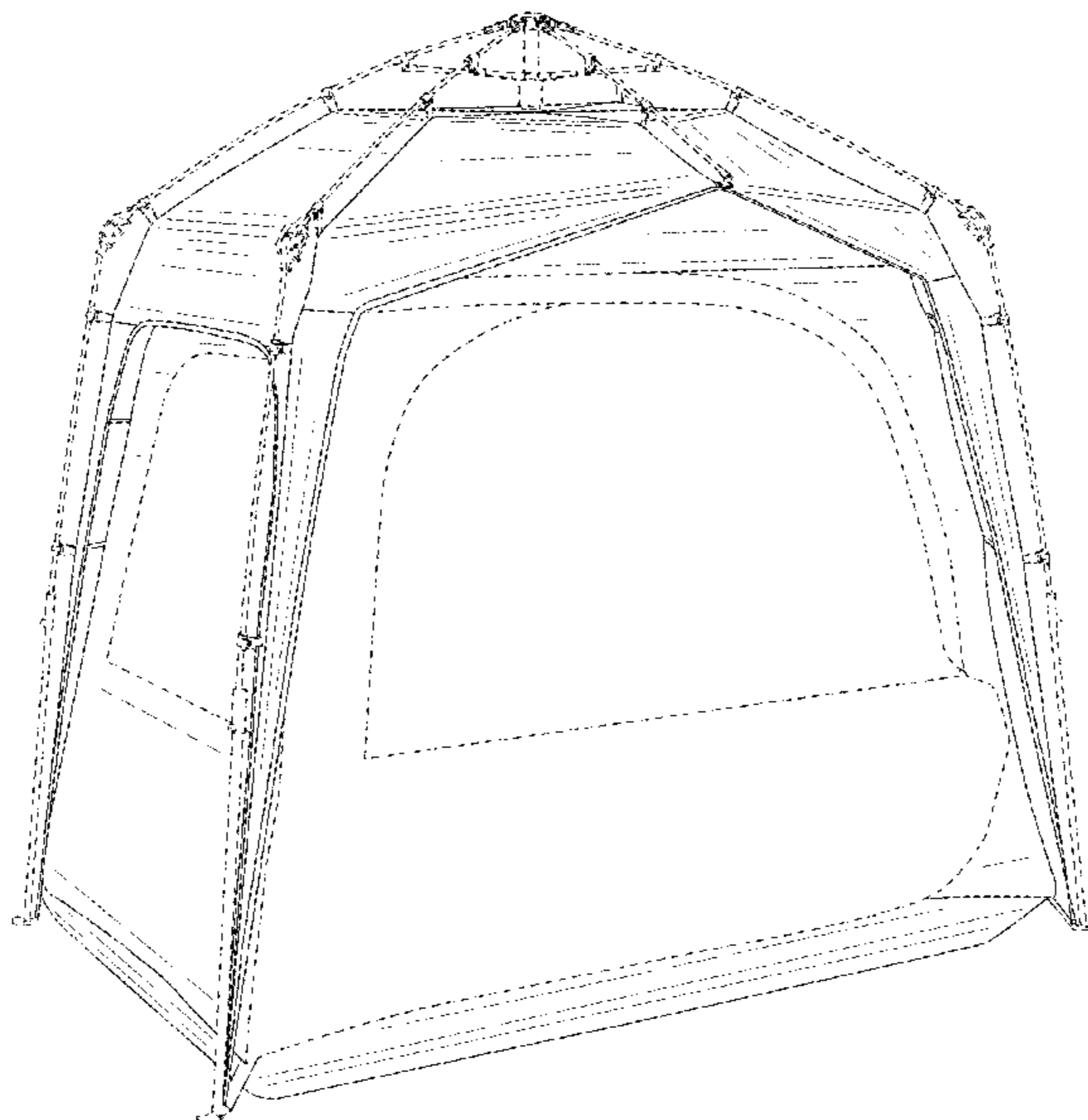
(57) **CLAIM**

The ornamental design for a portable shelter with internal removable tent, as shown and described.

**DESCRIPTION**

FIG. 1 is a perspective view of a portable shelter with internal removable tent, showing the new design;  
FIG. 2 is a front view thereof;  
FIG. 3 is a rear view thereof;  
FIG. 4 is a side view thereof; and,  
FIG. 5 is a top view thereof.  
The portion(s) shown in broken lines form no part of the claimed design.

**1 Claim, 5 Drawing Sheets**



(56)

**References Cited**

U.S. PATENT DOCUMENTS

11,421,439 B1 \* 8/2022 Sargent ..... E04H 15/425  
2018/0220751 A1 \* 8/2018 Jin ..... E04H 15/42

FOREIGN PATENT DOCUMENTS

EM 0087024500008 9/2021  
WO D212801 2/2021

\* cited by examiner

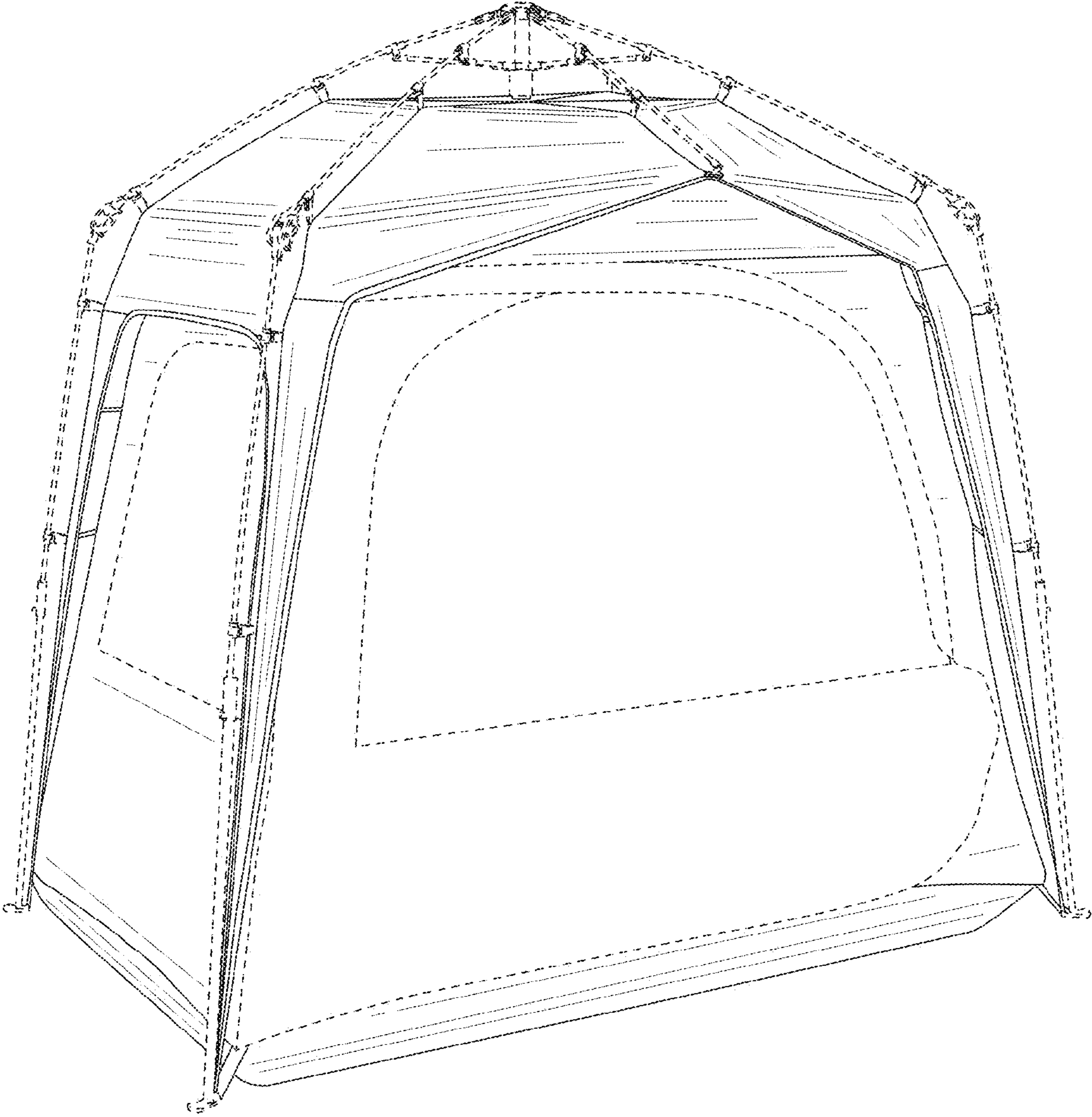


FIG. 1

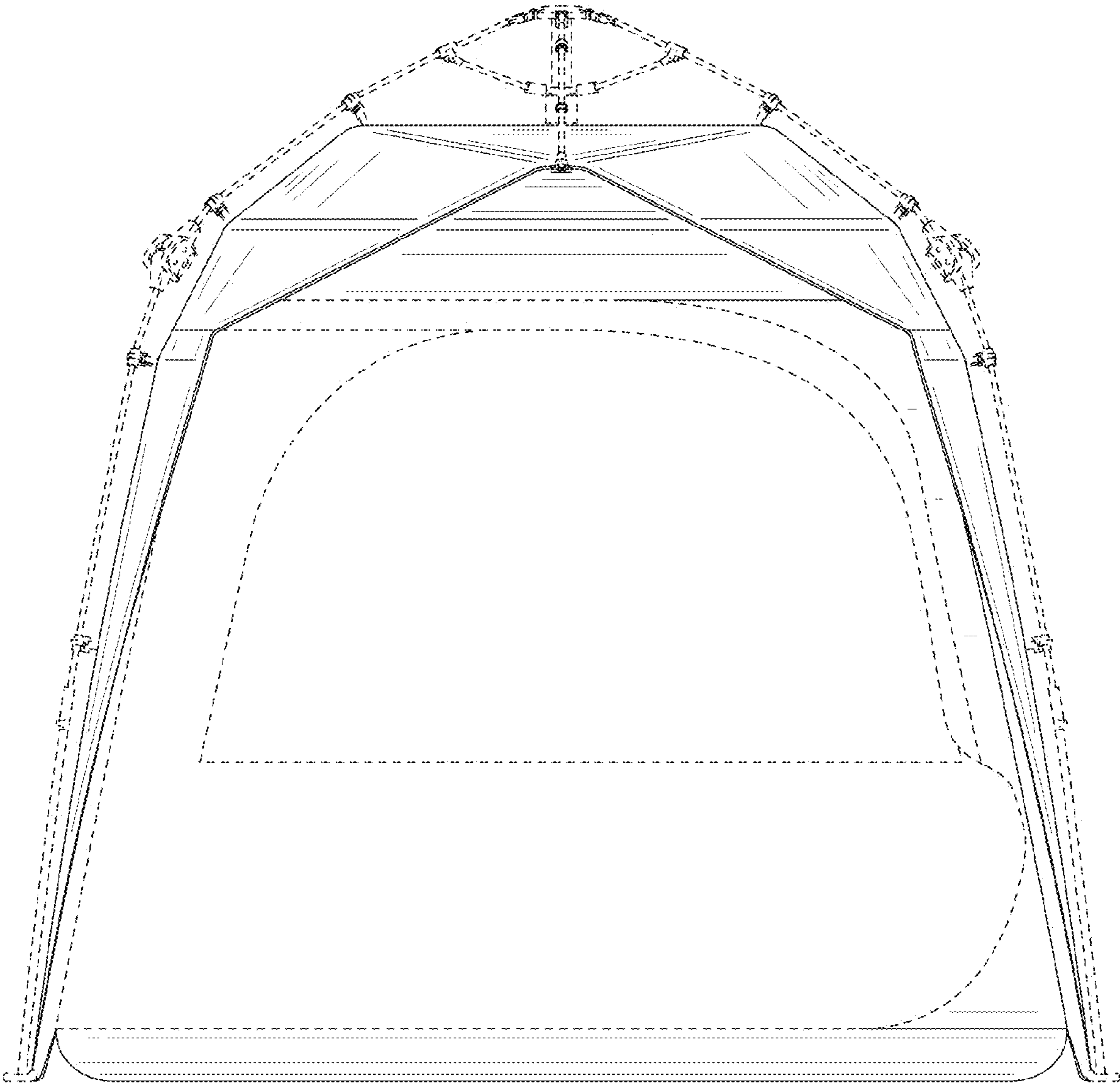


FIG. 2

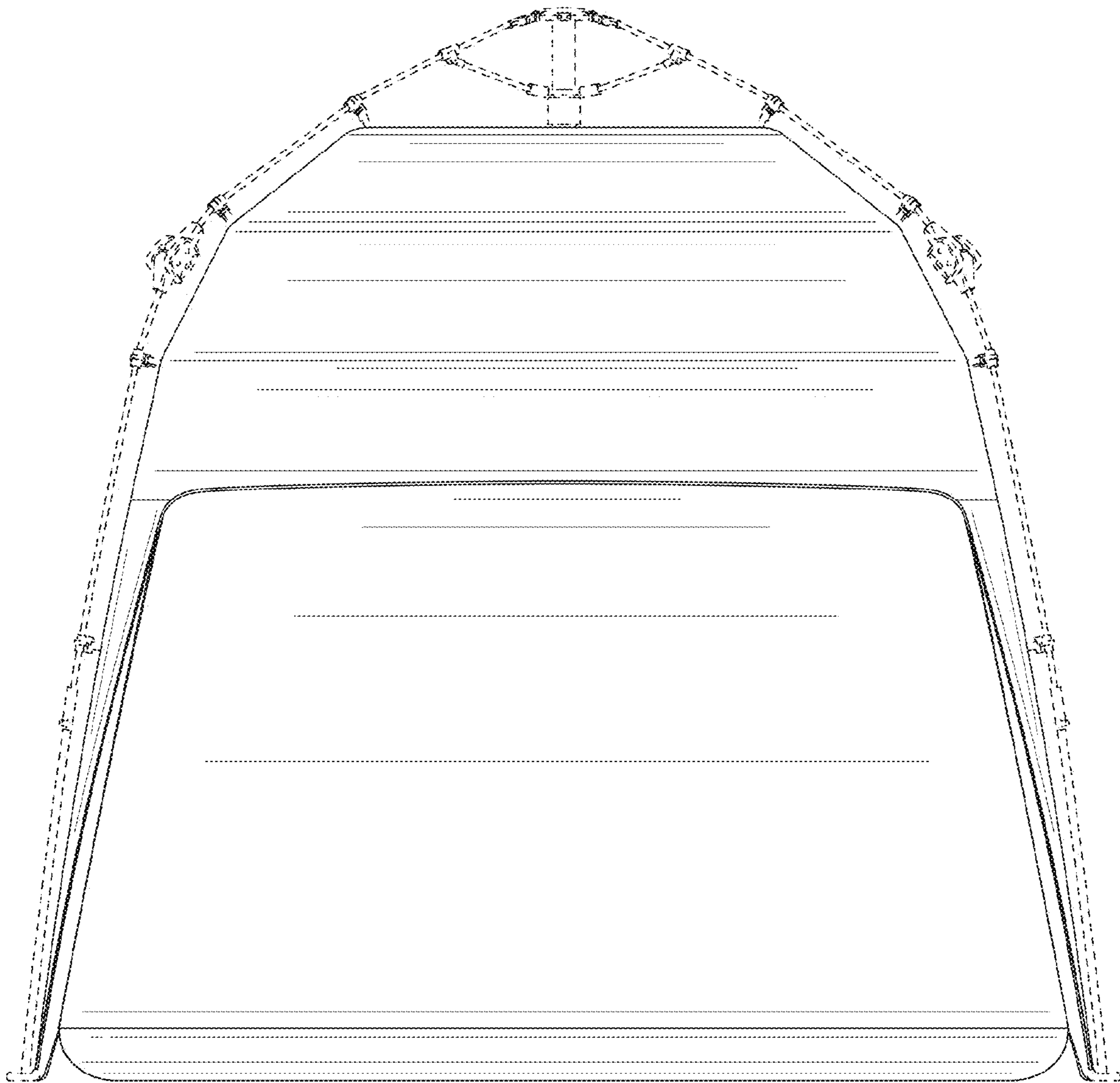


FIG. 3

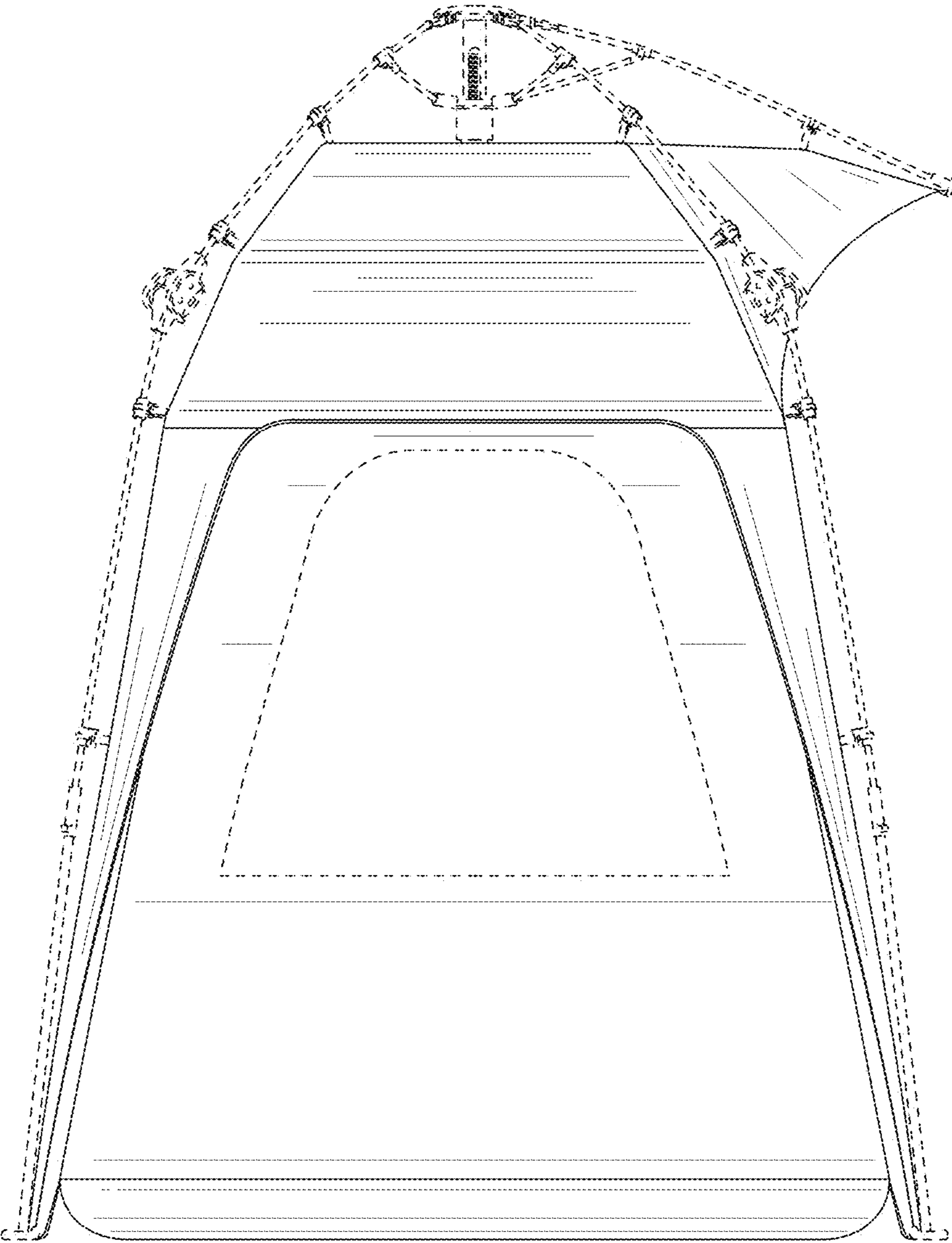


FIG. 4

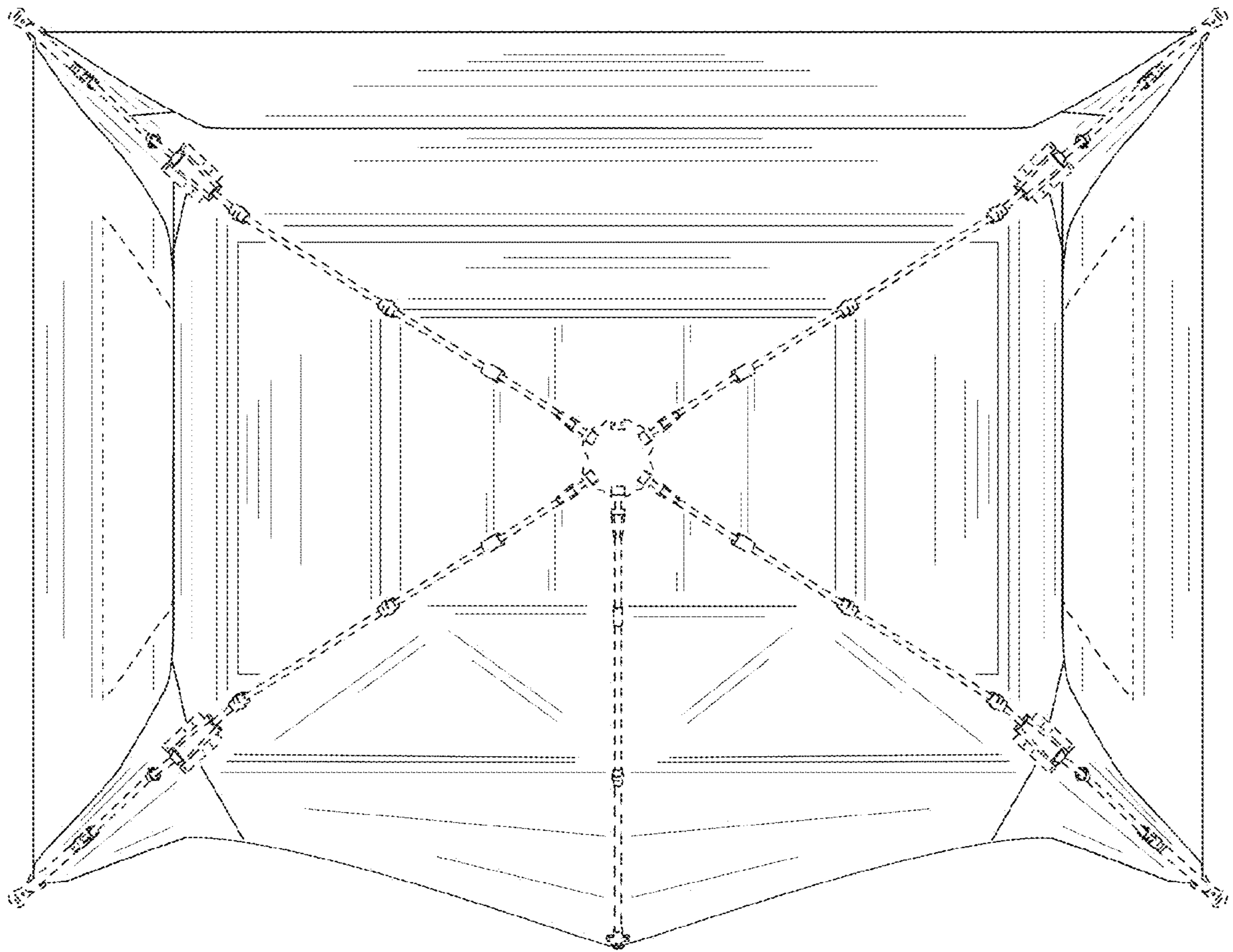


FIG. 5