

US00D979001S

(12) **United States Design Patent**  
**He et al.**

(10) **Patent No.: US D979,001 S**

(45) **Date of Patent: \*\* Feb. 21, 2023**

(54) **ROOF TENT FRAME**

(71) Applicant: **EAGLE OUTDOOR CAMPING PRODUCTS CO., LTD.**, Quzhou (CN)

(72) Inventors: **Yuhua He**, Quzhou (CN); **Zhengfeng Zhang**, Quzhou (CN); **Shuaiguang Deng**, Quzhou (CN); **Huifen Wu**, Quzhou (CN)

(73) Assignee: **EAGLE OUTDOOR CAMPING PRODUCTS CO., LTD.**, Quzhou (CN)

(\*\*) Term: **15 Years**

(21) Appl. No.: **29/735,886**

(22) Filed: **May 26, 2020**

(30) **Foreign Application Priority Data**

Apr. 22, 2020 (CN) ..... 202030166523.X

(51) **LOC (14) Cl.** ..... **21-04**

(52) **U.S. Cl.**  
USPC ..... **D21/834; D12/403**

(58) **Field of Classification Search**  
USPC ..... D21/834-840; D25/32, 16, 17, 56, 57;  
D12/401-404, 412, 103, 104-106  
CPC ..... E04H 15/00; E04H 15/02; E04H 15/18;  
E04H 15/32; E04H 15/34; E04H 15/008;  
E04H 15/06; E04H 15/08; E04H 15/30;  
E04H 15/54; E04H 15/40; E04H 15/38;  
E04H 6/005; E04H 15/58; A63H 33/008;  
A47D 13/063; B60P 3/38  
See application file for complete search history.

(56) **References Cited**

U.S. PATENT DOCUMENTS

2,543,597 A \* 2/1951 Peery ..... E04H 15/38  
5/418

2,864,390 A \* 12/1958 Oliver et al. .... E04H 15/38  
135/136

D207,309 S \* 4/1967 Walthers, Sr. .... D12/403  
(Continued)

OTHER PUBLICATIONS

Raptor Series 100000-126800 Offgrid Voyager Truck SUV Camping Rooftop Tent with Ladder: Apr. 25, 2019. Retrieved from internet: <<https://www.amazon.com/Raptor-100000-126800-Camping-Rooftop-Ladder/dp/B07R444H9V>> [site visited Jun. 28, 2022] (Year: 2019).\*

(Continued)

*Primary Examiner* — Katherine Glennon

*Assistant Examiner* — Yuan Yuan

(74) *Attorney, Agent, or Firm* — Muncy, Geissler, Olds & Lowe, P.C.

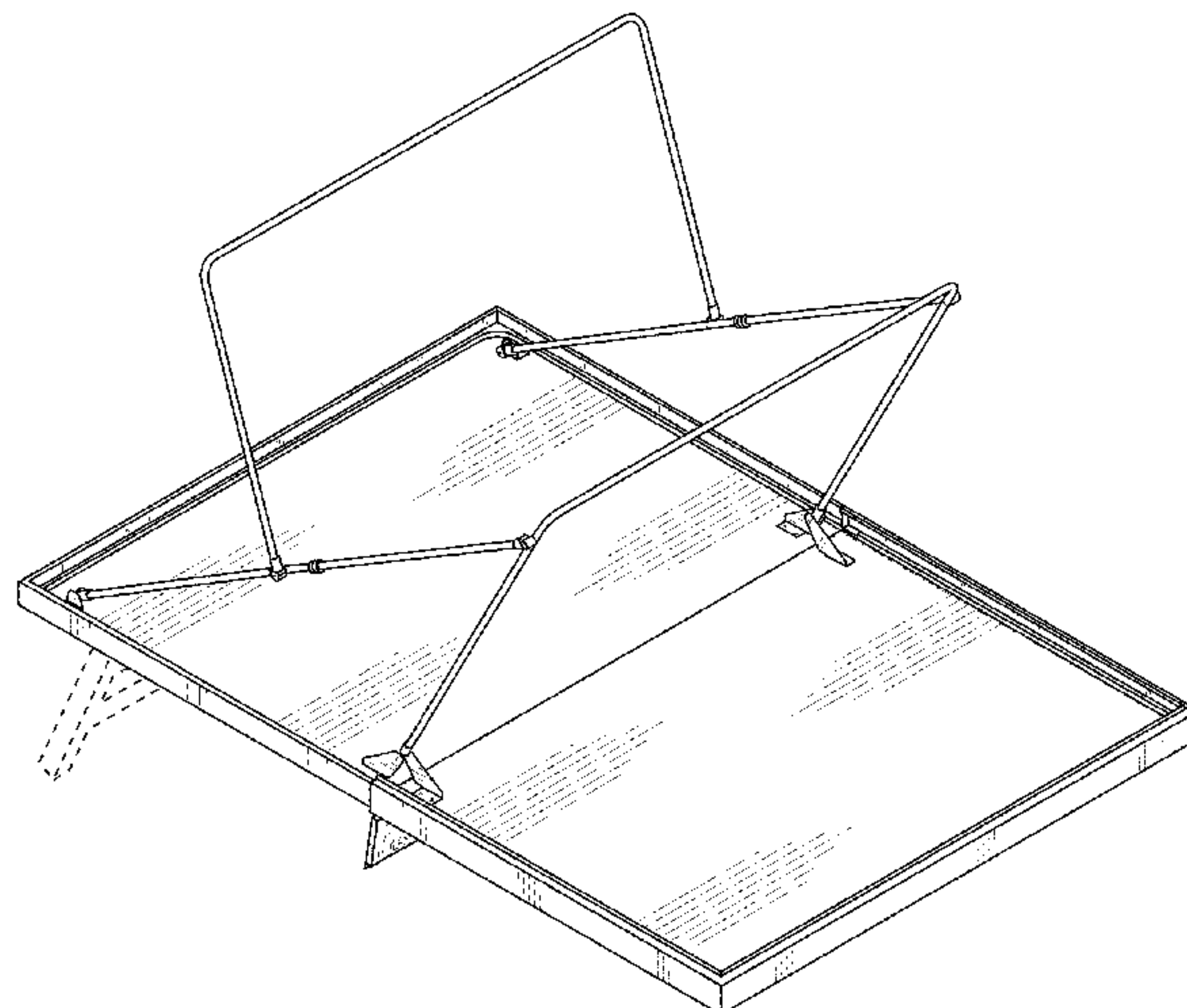
(57) **CLAIM**

The ornamental design for a roof tent frame, as shown and described.

**DESCRIPTION**

FIG. 1 is a top, front, left perspective view of a roof tent frame showing our new design, in an open position; FIG. 2 is a bottom front, left perspective view thereof, in an open position; FIG. 3 is a perspective view thereof, in a closed position; FIG. 4 is a front elevational view thereof, in an open position; FIG. 5 is a left side elevational view thereof, in an open position; FIG. 6 is a rear elevational view thereof, in an open position; FIG. 7 is a right side elevational plan view thereof, in an open position; FIG. 8 is a top plan view thereof, in an open position; and, FIG. 9 is a bottom plan view thereof, in an open position. The broken lines illustrate portions of the roof tent frame which form no part of the claimed design.

**1 Claim, 9 Drawing Sheets**



(56)

References Cited

U.S. PATENT DOCUMENTS

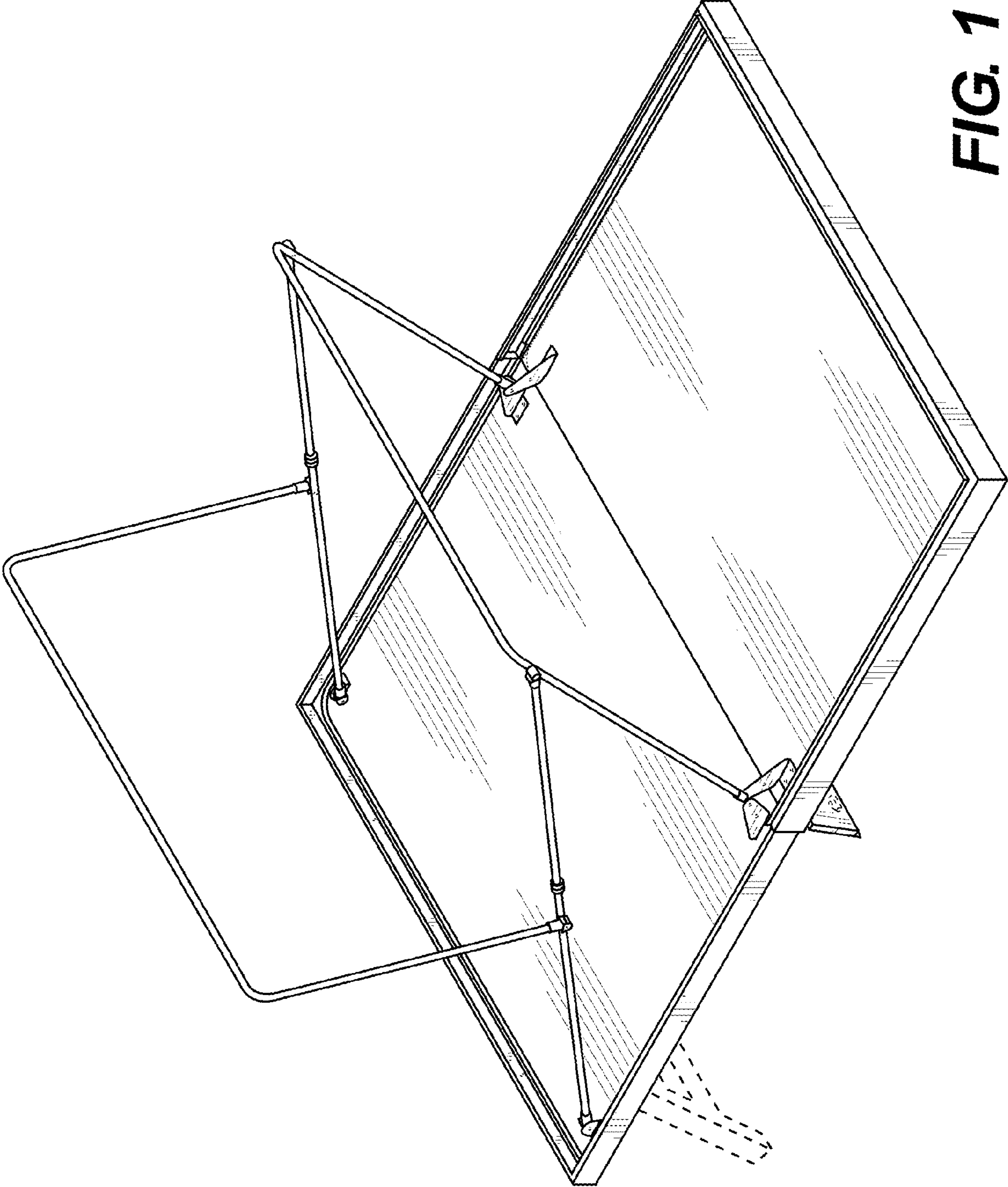
3,375,836 A \* 4/1968 Domeneghetti ..... E04H 15/06  
135/132  
D223,243 S \* 4/1972 Lambert ..... D12/403  
3,742,966 A \* 7/1973 Franzen ..... B60P 3/38  
135/132  
3,865,123 A \* 2/1975 Bracken ..... E04H 15/38  
135/132  
3,995,649 A \* 12/1976 Robichaud ..... E04H 15/06  
135/136  
4,058,133 A \* 11/1977 Barr ..... B60P 3/38  
135/132  
4,271,856 A \* 6/1981 Ferguson ..... E04H 15/06  
135/132  
RE31,465 E \* 12/1983 Robichaud ..... E04H 15/46  
135/133  
4,548,438 A \* 10/1985 Myers ..... E04H 15/38  
296/26.02  
4,585,020 A \* 4/1986 Masuda ..... E04H 15/56  
135/132  
D310,503 S \* 9/1990 Moore ..... D12/403  
4,993,773 A \* 2/1991 Lange ..... B60P 3/38  
49/248  
5,544,671 A \* 8/1996 Phillips ..... B60P 3/341  
135/88.14  
D583,746 S \* 12/2008 Napieraj ..... D12/403  
9,567,767 B2 \* 2/2017 Kendrick ..... E04H 15/06  
9,850,681 B2 \* 12/2017 Le ..... A47C 17/70

10,590,675 B2 \* 3/2020 Zhou ..... E04H 15/008  
10,676,955 B1 \* 6/2020 Tufto ..... E04H 15/48  
D936,521 S \* 11/2021 Zhang ..... D12/103  
2011/0146737 A1 \* 6/2011 Friedman ..... E04H 15/06  
135/88.13  
2013/0032187 A1 \* 2/2013 Chen ..... E04H 6/04  
135/130  
2014/0034100 A1 \* 2/2014 Makos ..... E04H 15/001  
135/136  
2015/0292230 A1 \* 10/2015 Park ..... E04H 15/06  
135/88.13  
2016/0138293 A1 \* 5/2016 Zhou ..... E04H 15/06  
135/88.14  
2016/0143451 A1 \* 5/2016 Le ..... A47C 17/70  
135/126  
2016/0176277 A1 \* 6/2016 Deal ..... E04H 6/04  
135/136  
2016/0289996 A1 \* 10/2016 Kendrick ..... E04H 15/34  
2018/0010357 A1 \* 1/2018 Zhou ..... E04H 15/06  
2018/0106065 A1 \* 4/2018 Xu ..... E04H 15/48  
2018/0112432 A1 \* 4/2018 Xu ..... E04H 15/48  
2021/0025190 A1 \* 1/2021 Montesalvo ..... B60P 3/38

OTHER PUBLICATIONS

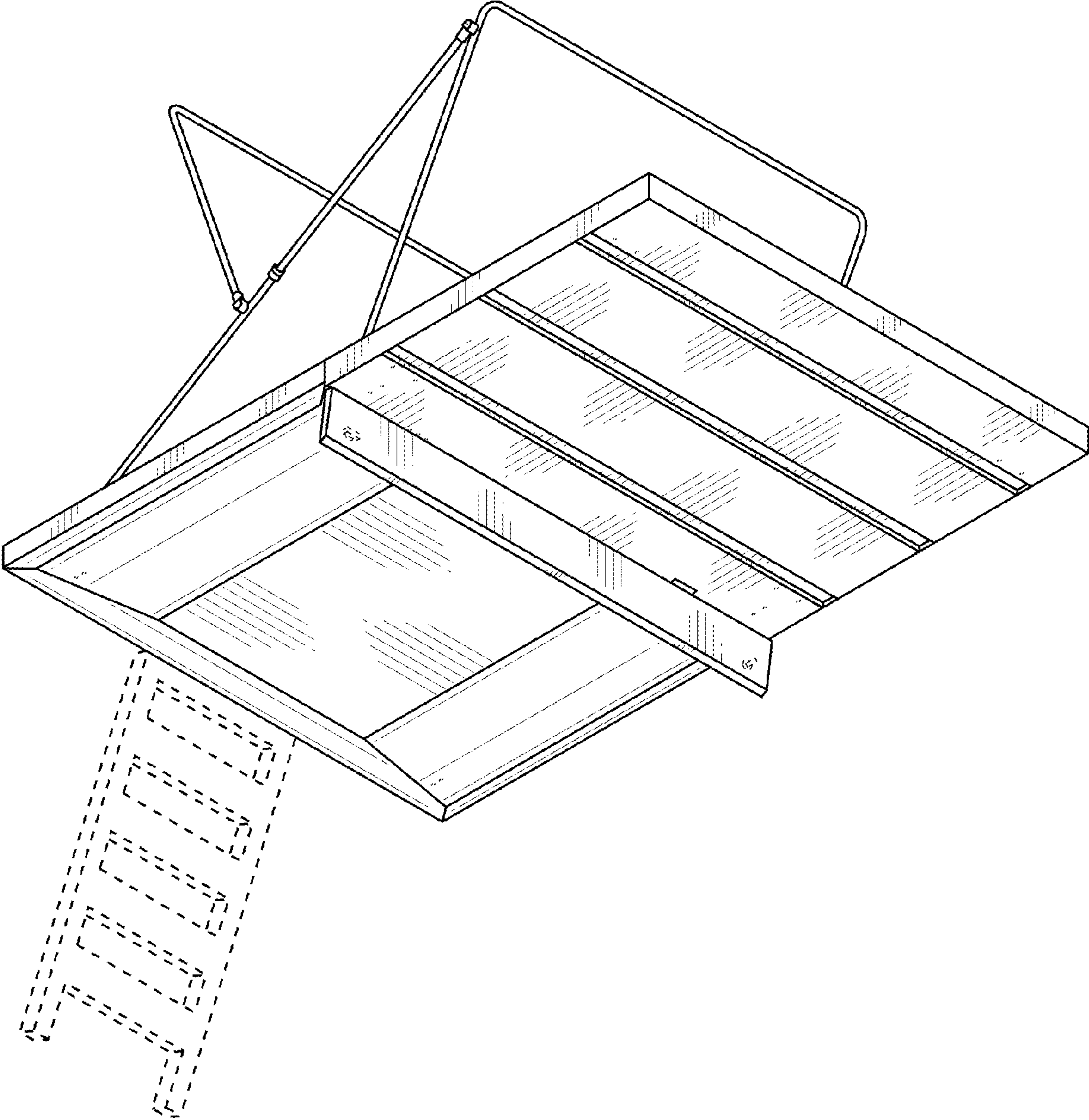
The 3 Best Roof Top Tent Types. Date Posted: Aug. 1, 2020.  
Retrieved from internet: <<https://www.dariengear.com/the-3-best-roof-top-tent-types/>> [site visited Jun. 28, 2022] (Year: 2020).\*

\* cited by examiner

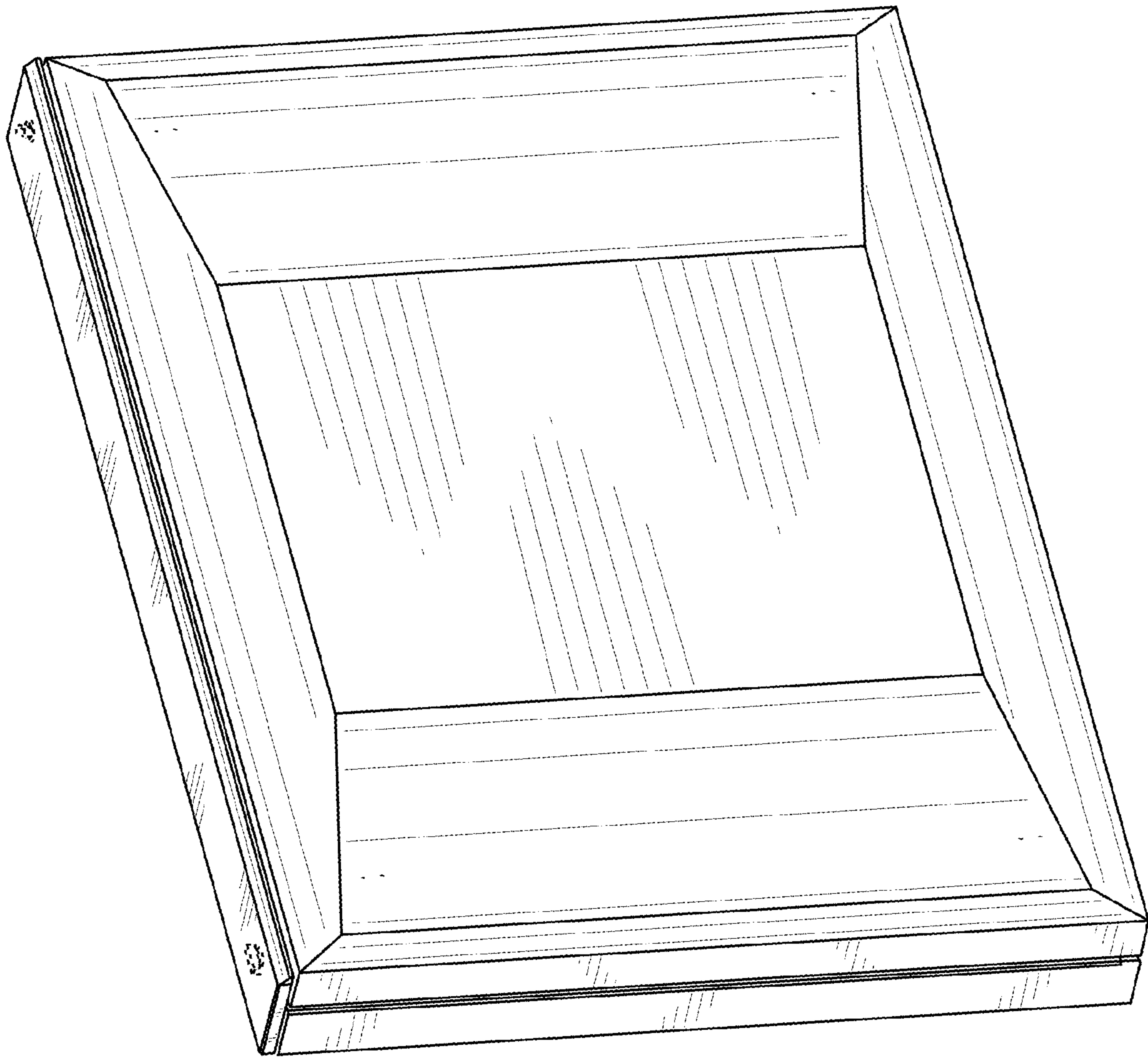


**FIG. 1**

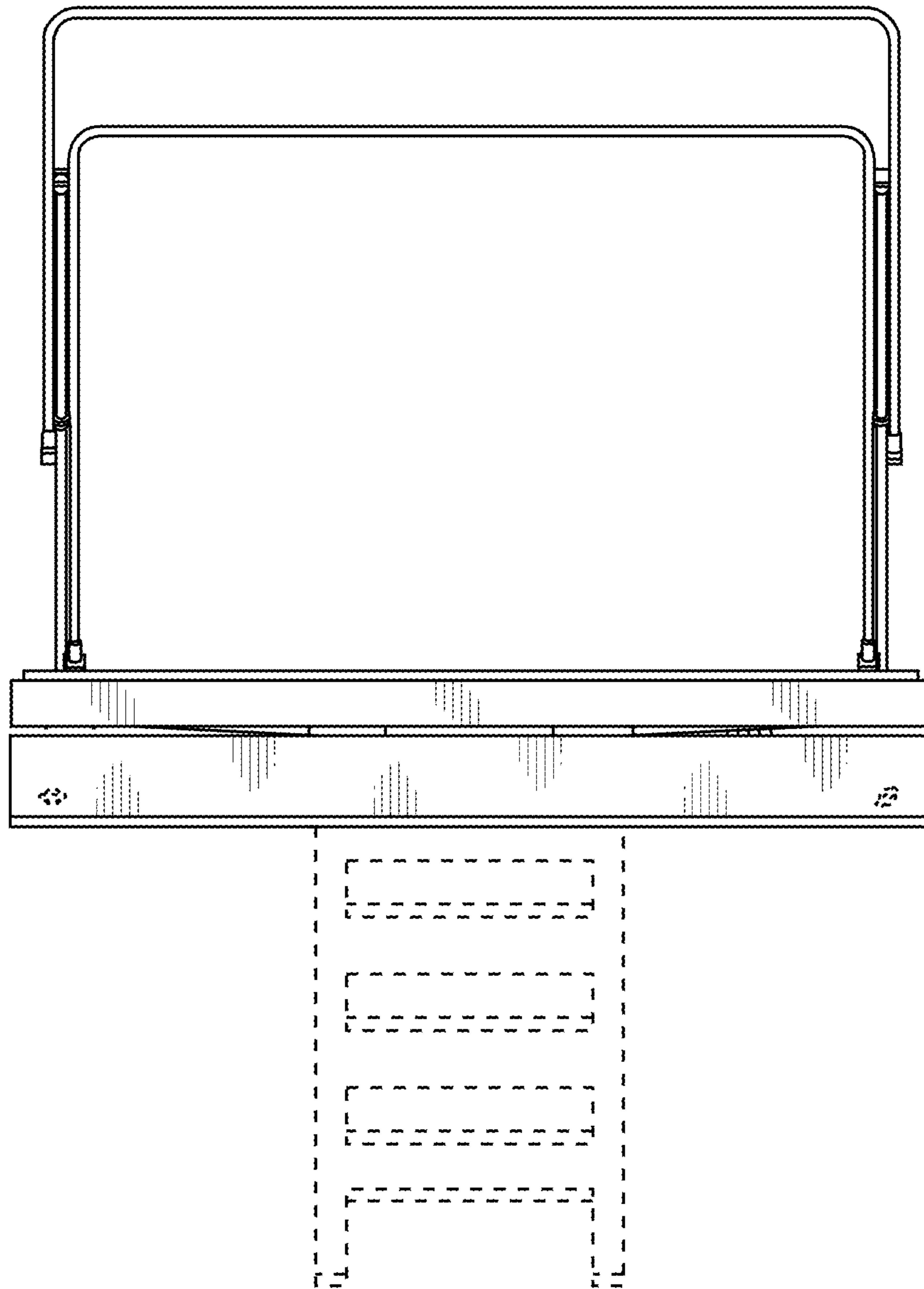




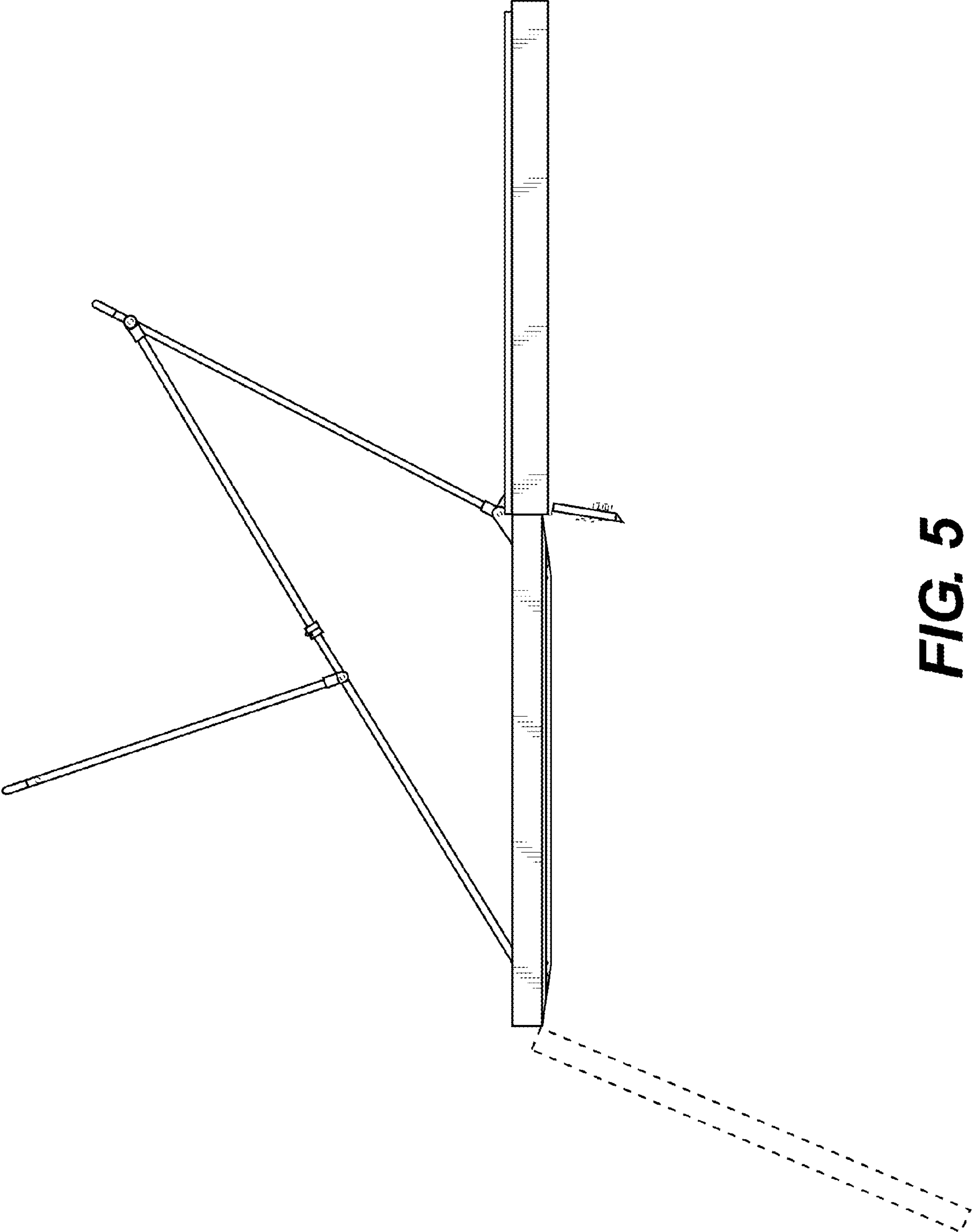
**FIG. 2**



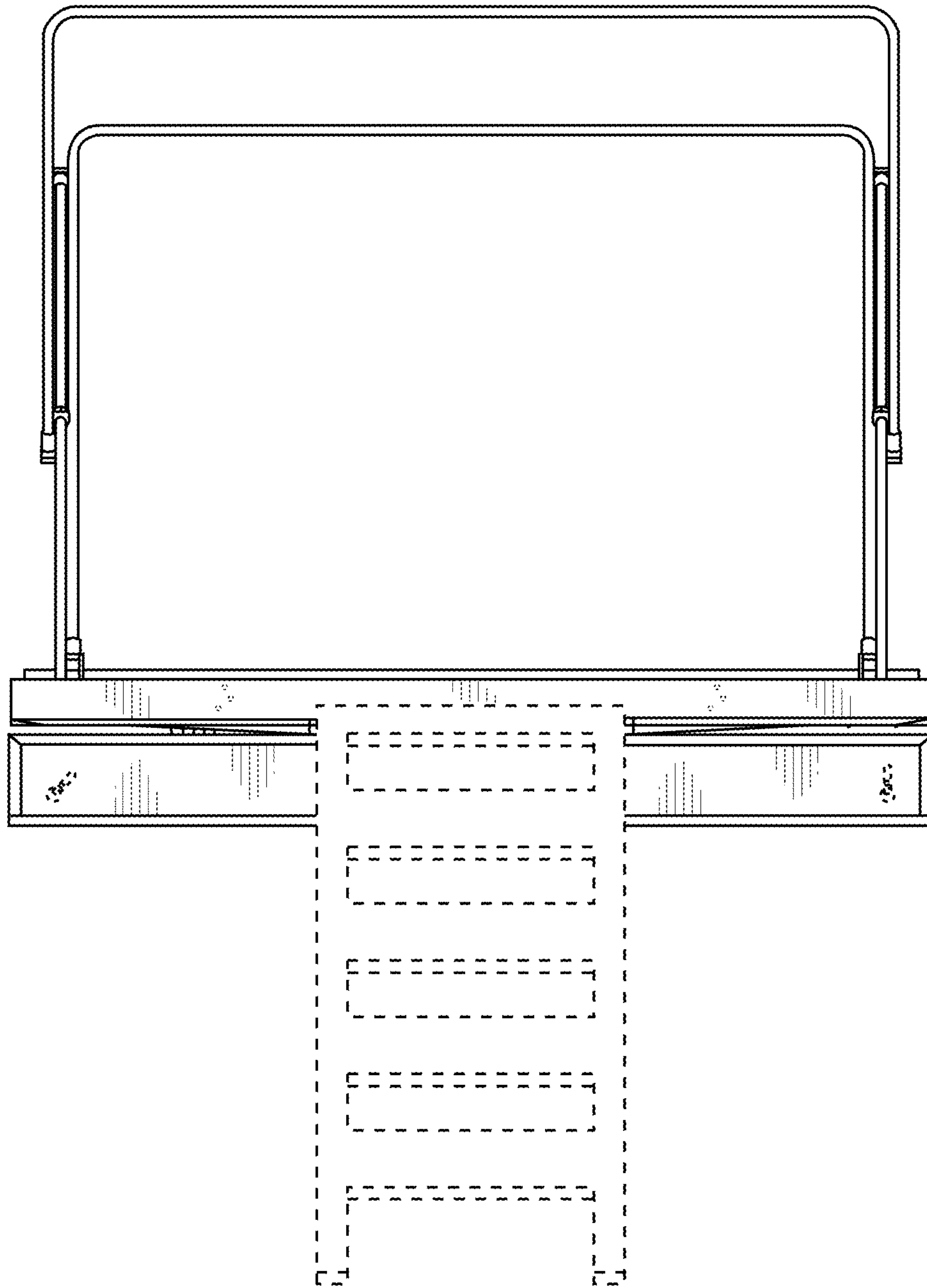
**FIG. 3**



**FIG. 4**



**FIG. 5**



**FIG. 6**



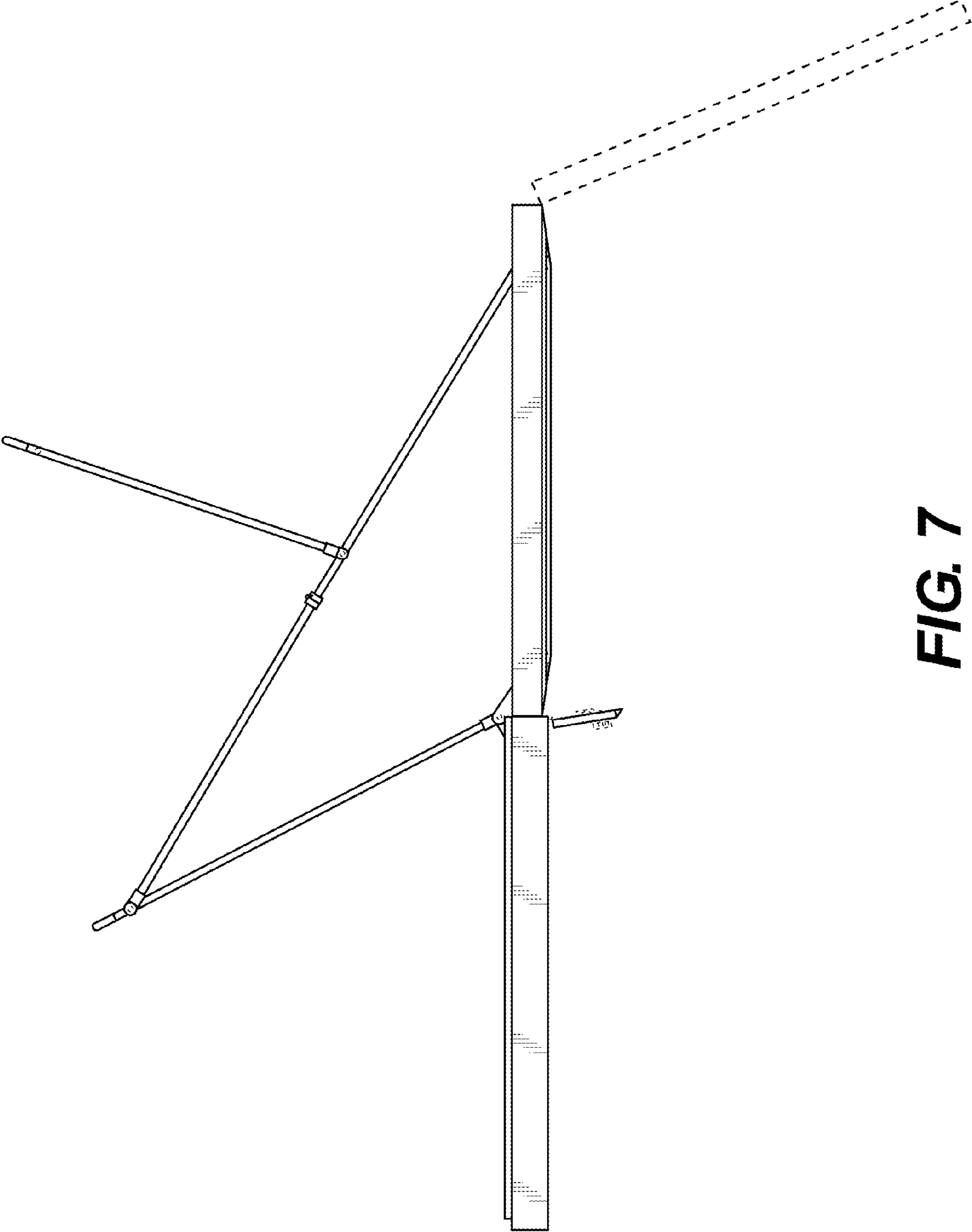
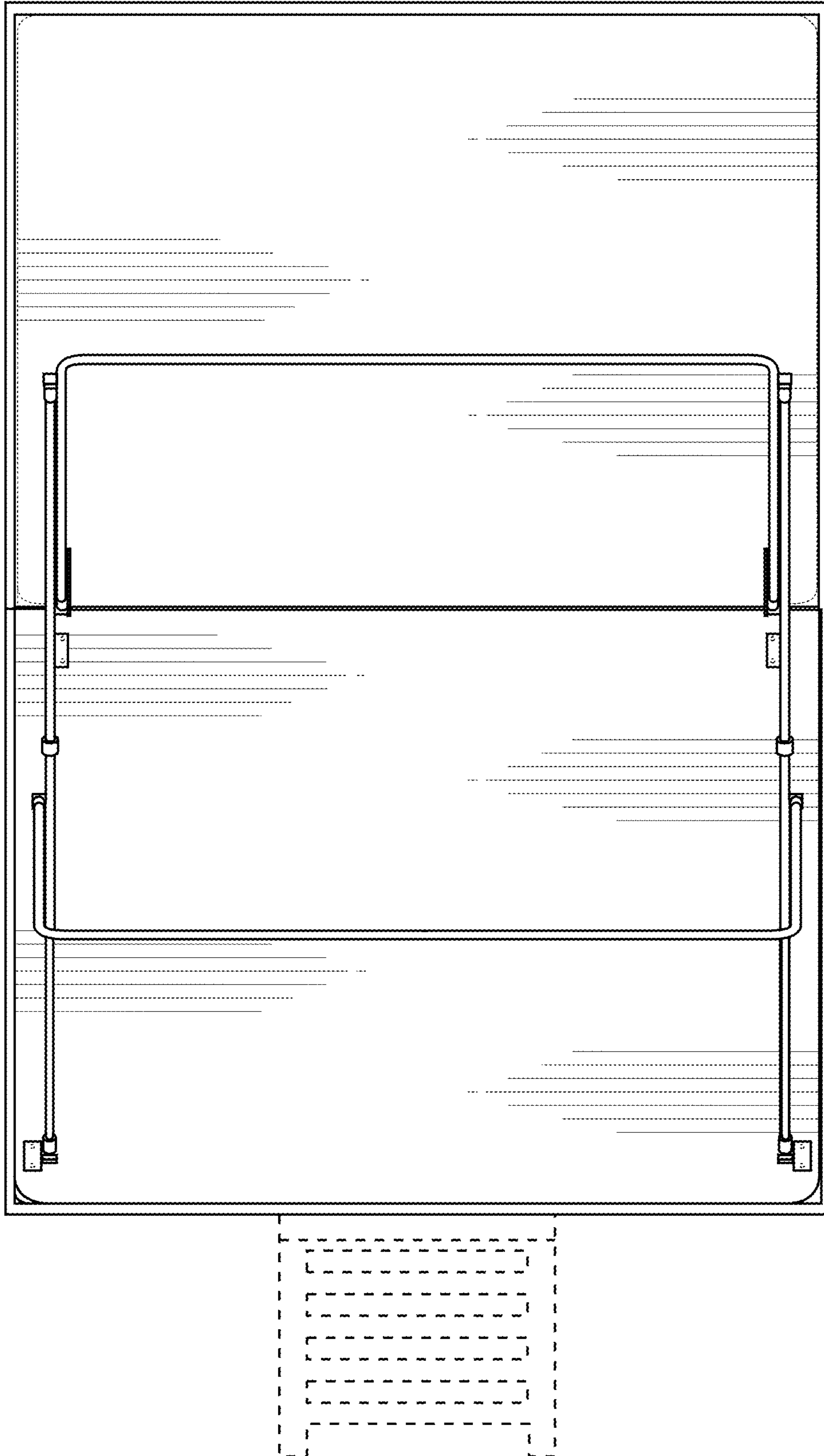
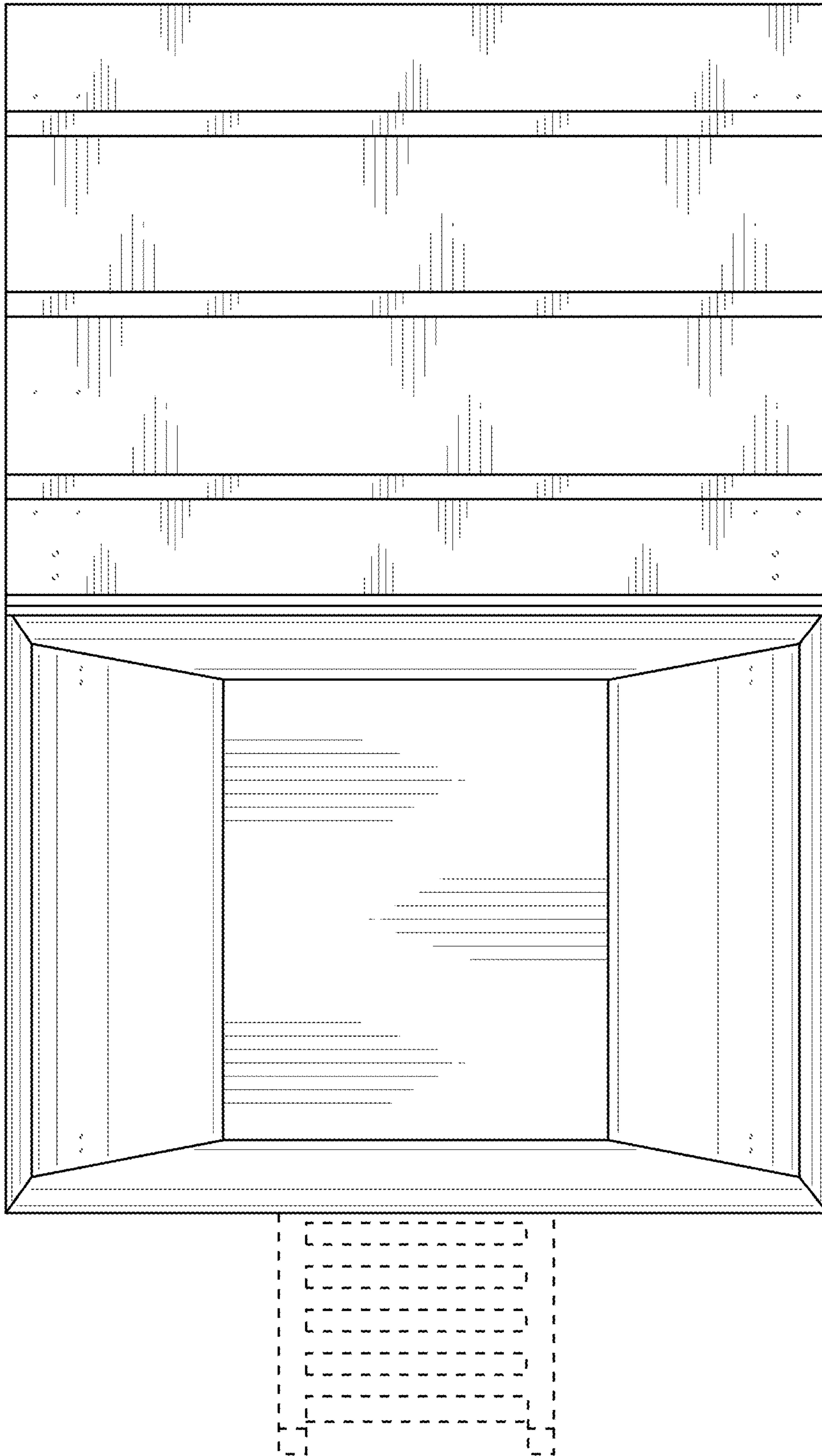


FIG. 7



**FIG. 8**



**FIG. 9**