



US00D978996S

(12) **United States Design Patent** (10) **Patent No.:** **US D978,996 S**
Kamiya et al. (45) **Date of Patent:** **** Feb. 21, 2023**

(54) **HEAD FOR A GOLF CLUB**
(71) Applicant: **SUMITOMO RUBBER INDUSTRIES, LTD.**, Kobe (JP)
(72) Inventors: **Yoshie Kamiya**, Kobe (JP); **Jacob Lambeth**, Huntington Beach, CA (US)
(73) Assignee: **SUMITOMO RUBBER INDUSTRIES, LTD.**, Kobe (JP)
(**) Term: **15 Years**

9,033,812 B2 * 5/2015 Solheim A63B 53/007
473/409
D796,597 S * 9/2017 Serrano D21/736
9,925,434 B2 * 3/2018 Solheim A63B 53/007
D817,424 S * 5/2018 Toulon D21/759
D817,425 S * 5/2018 Toulon D21/759
D818,551 S * 5/2018 Toulon D21/759
D832,379 S * 10/2018 Jertson D21/736
D837,315 S * 1/2019 Rollinson D21/743
D857,135 S * 8/2019 Serrano D21/736
D860,351 S * 9/2019 Rollinson D21/743
D865,090 S * 10/2019 Rollinson D21/743
D869,581 S * 12/2019 Aguilar D21/743

(Continued)

(21) Appl. No.: **29/783,765**
(22) Filed: **May 14, 2021**
(51) **LOC (14) Cl.** **21-02**
(52) **U.S. Cl.**
USPC **D21/743**
(58) **Field of Classification Search**
USPC D21/736-746, 759
CPC A63B 53/00; A63B 53/04; A63B 53/007;
A63B 53/065; A63B 53/0487; A63B
60/00; A63B 60/46
See application file for complete search history.

OTHER PUBLICATIONS

Golf putters google search; google.com; 10/15/202.*

Primary Examiner — Mitchell I. Siegel

(74) *Attorney, Agent, or Firm* — Birch, Stewart, Kolasch & Birch, LLP

(57) **CLAIM**

The ornamental design for a head for a golf club, as shown and described.

DESCRIPTION

FIG. 1 is a first perspective view of a head for a golf club showing our new design;
FIG. 2 is a second perspective view thereof;
FIG. 3 is a front view thereof;
FIG. 4 is a rear view thereof;
FIG. 5 is a left side view thereof;
FIG. 6 is a right side view thereof;
FIG. 7 is a top view thereof;
FIG. 8 is a bottom view thereof; and,
FIG. 9 is an enlarged top view thereof.

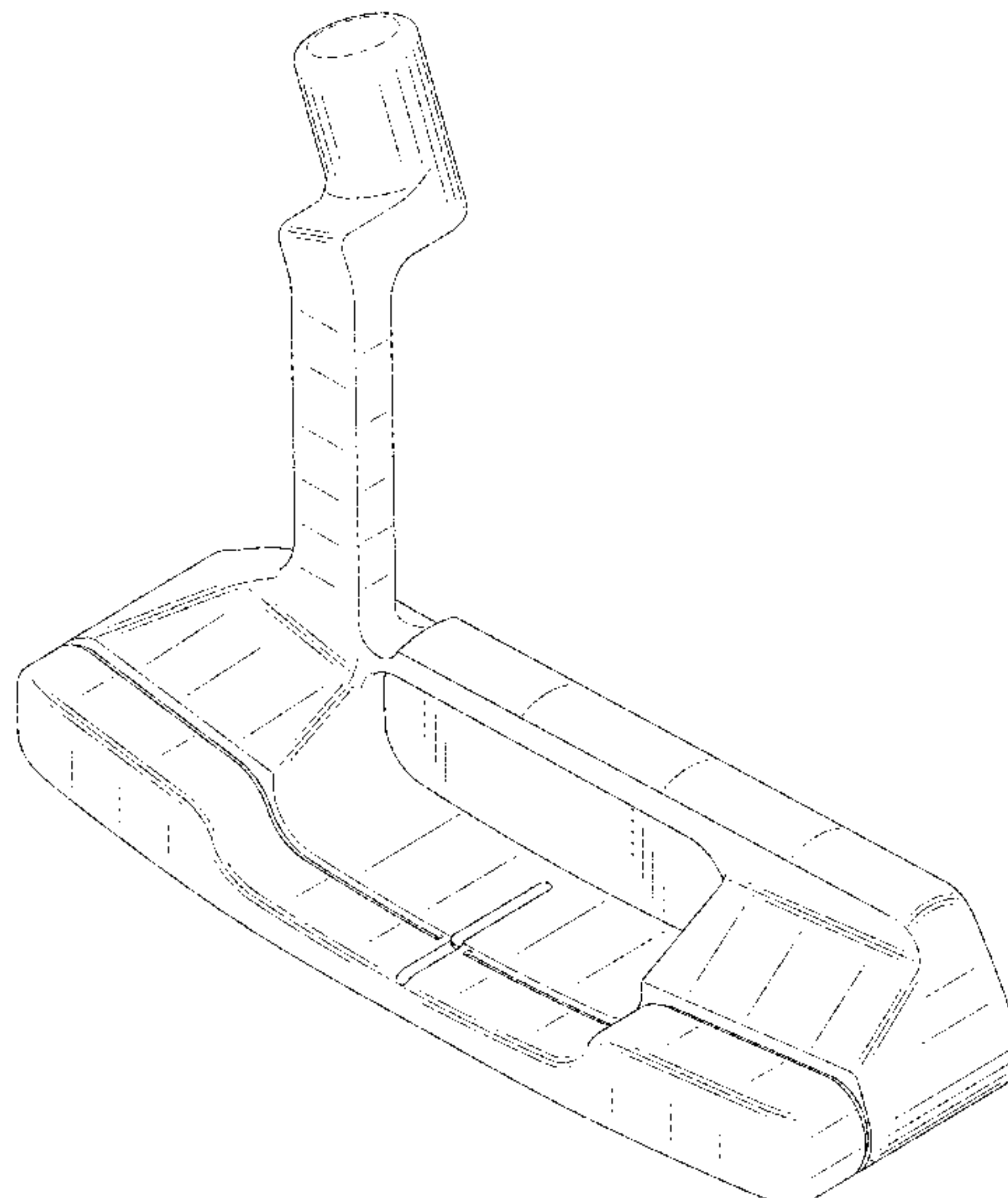
The broken lines depict portions of the head for a golf club in which the design is embodied that are not considered part of the claimed design.

1 Claim, 7 Drawing Sheets

(56) **References Cited**

U.S. PATENT DOCUMENTS

D207,227 S * 3/1967 Solheim D21/739
D239,951 S * 5/1976 Carrier D21/742
D389,207 S * 1/1998 Cameron D21/742
D443,906 S * 6/2001 Hettinger D21/743
D485,320 S * 1/2004 Breier D21/736
D498,276 S * 11/2004 Schweigert D21/743
D535,712 S * 1/2007 Toroussian D21/749
D548,294 S * 8/2007 Nguyen D21/736
7,887,432 B2 * 2/2011 Jones A63B 53/0487
473/409
7,927,226 B1 * 4/2011 Twitty A63B 53/0487
473/254
D638,892 S * 5/2011 Hettinger D21/743
D689,574 S * 9/2013 Rollinson D21/743



(56)

References Cited

U.S. PATENT DOCUMENTS

D869,583 S * 12/2019 Rollinson D21/743
10,632,351 B2 * 4/2020 Solheim A63B 53/0487
D898,845 S * 10/2020 Clarke D21/743
D906,457 S * 12/2020 Lambeth D21/759
D907,147 S * 1/2021 Agrella D21/743
D912,746 S * 3/2021 Toulon D21/743
D928,260 S * 8/2021 Serrano D21/743
D930,096 S * 9/2021 Higdon D21/743
D965,714 S * 10/2022 Serrano D21/743
2020/0101357 A1 * 4/2020 Higdon A63B 53/065

* cited by examiner

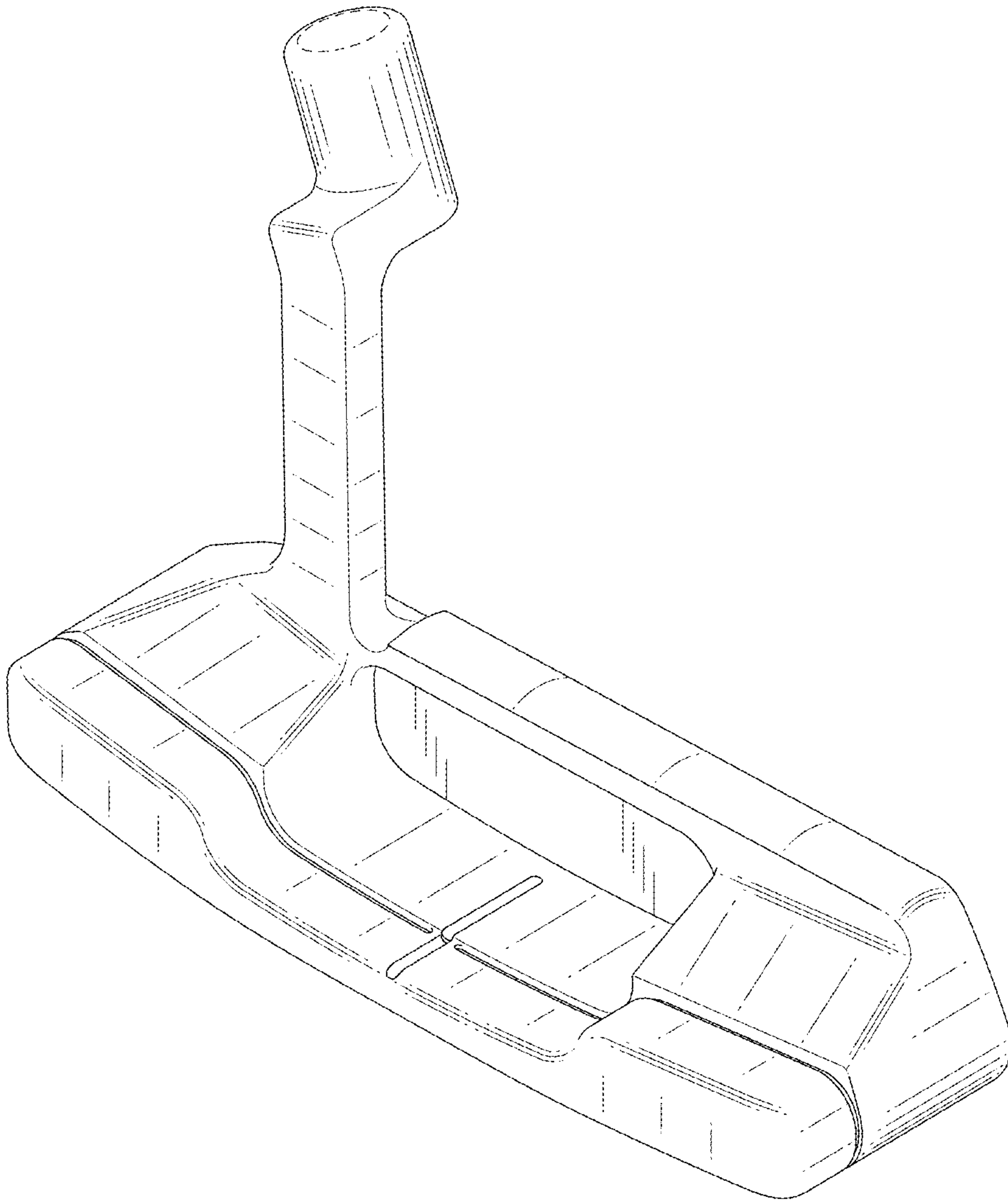


Fig. 1

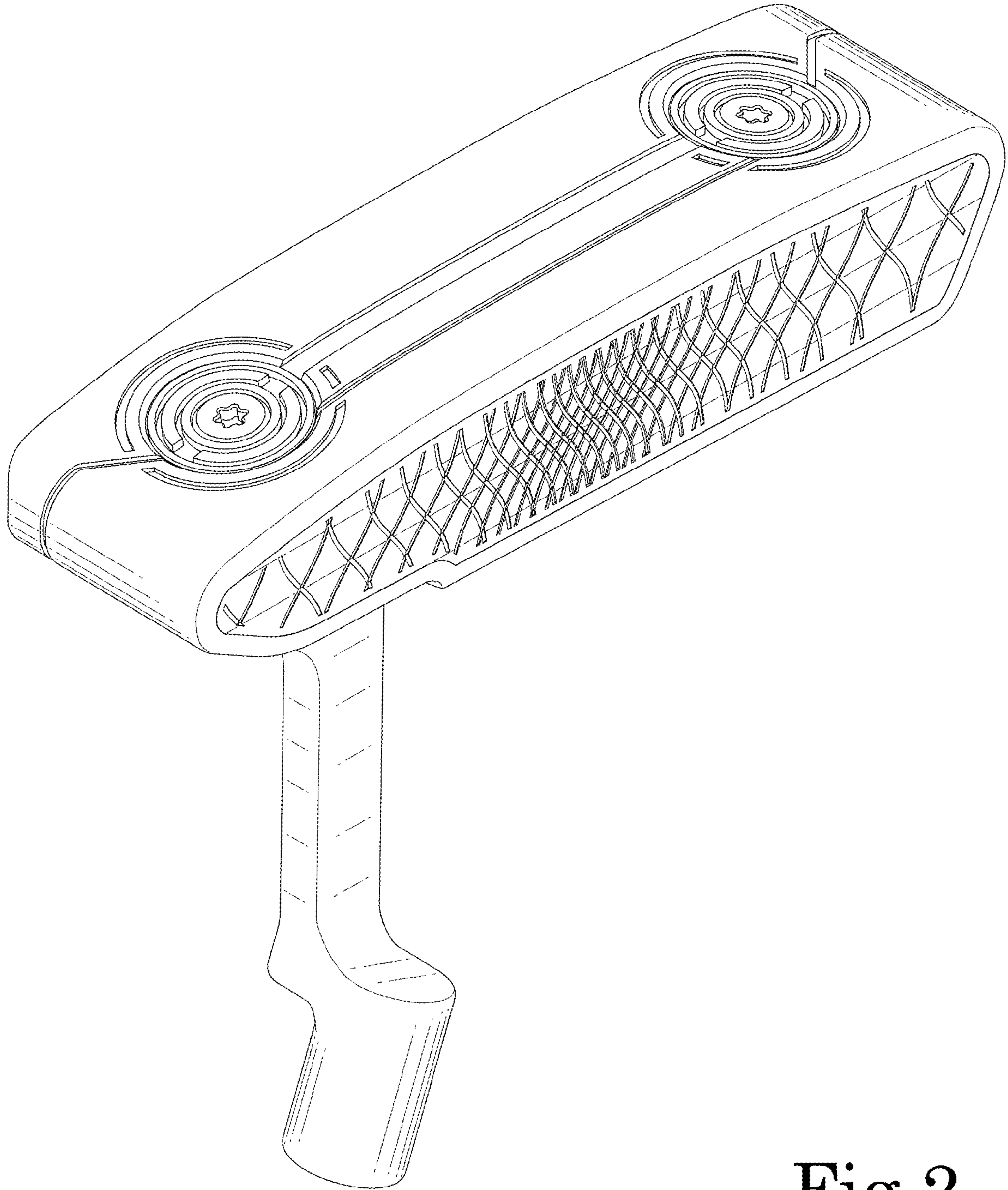


Fig.2

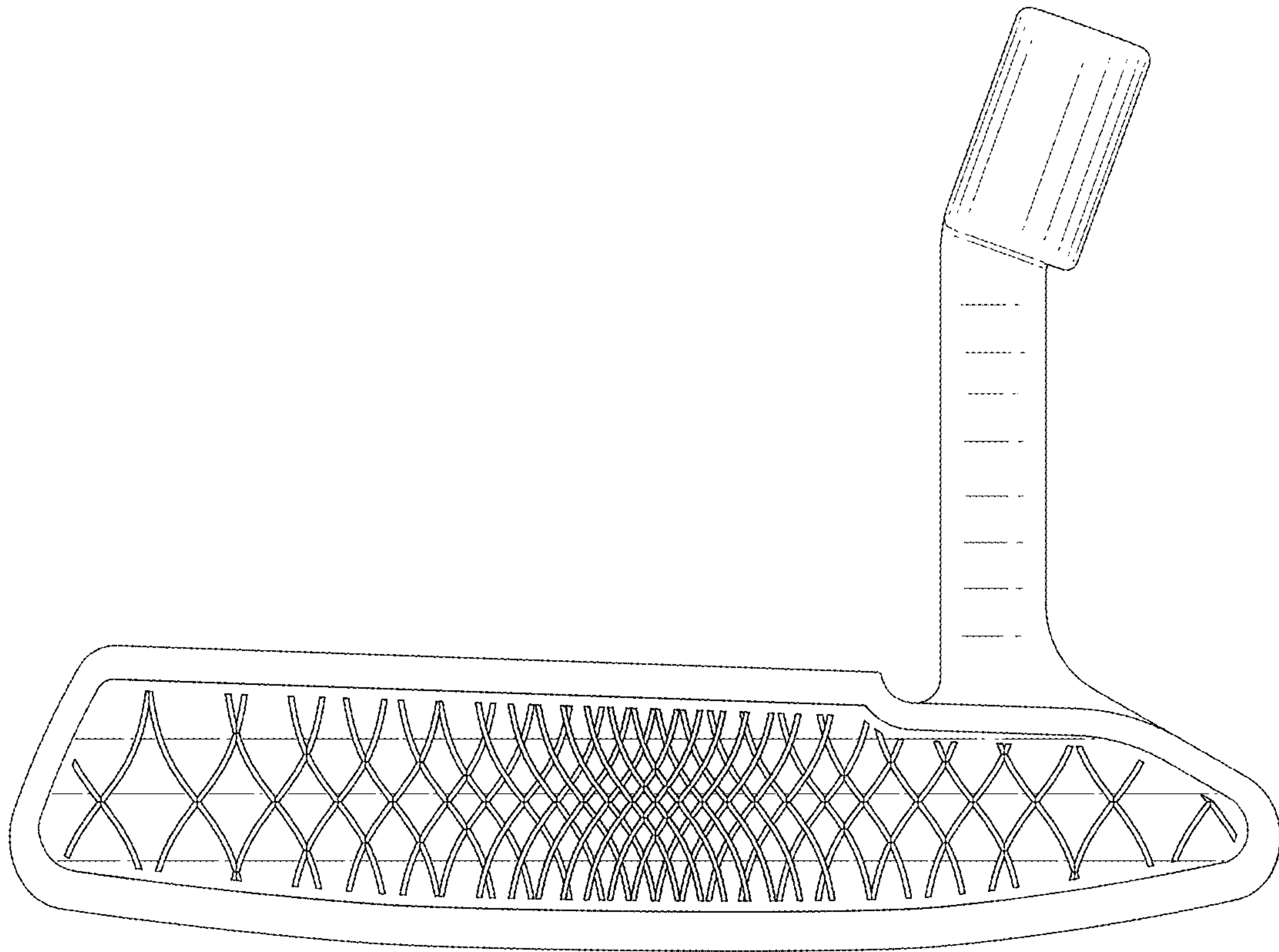


Fig.3

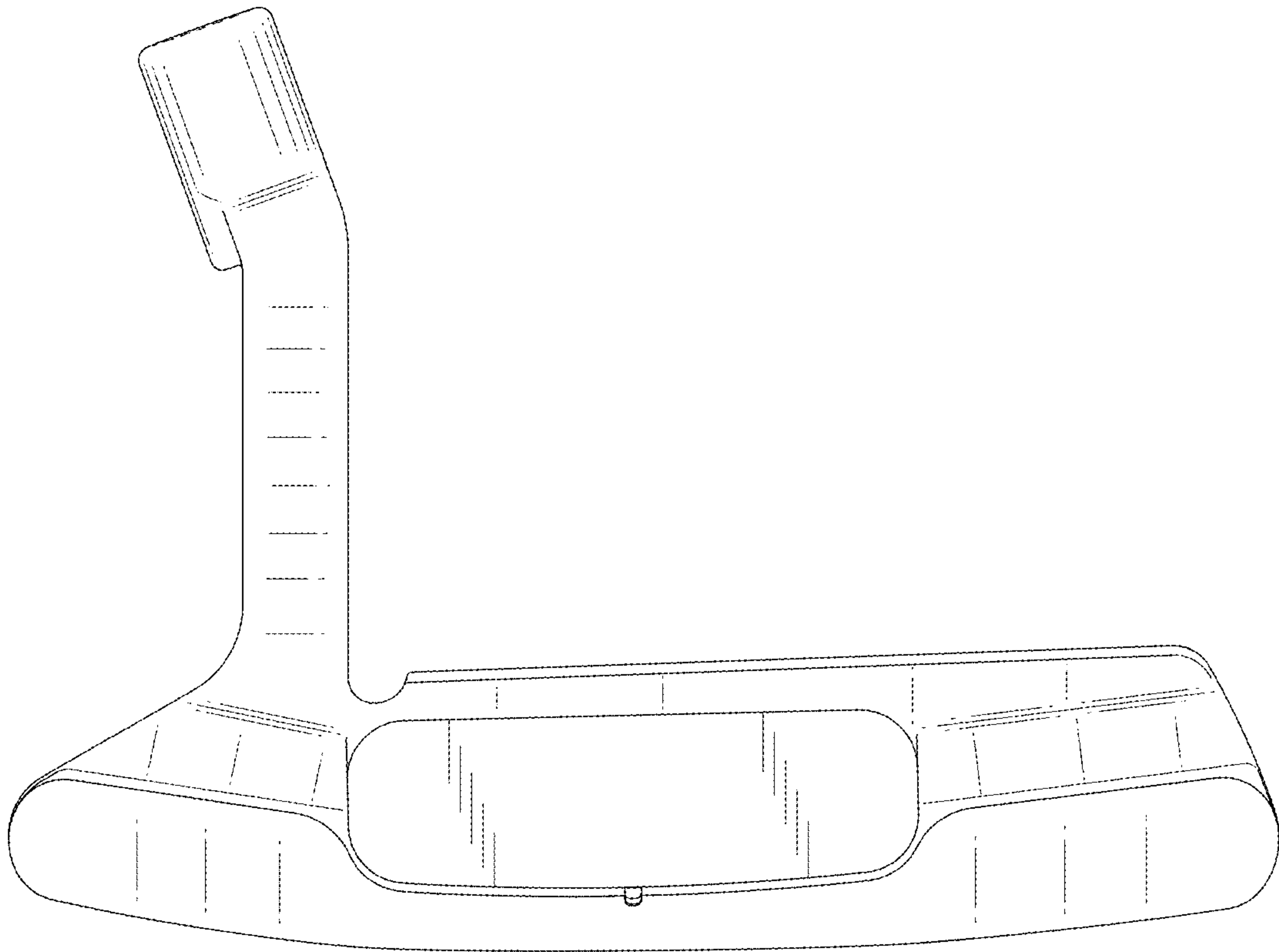


Fig.4

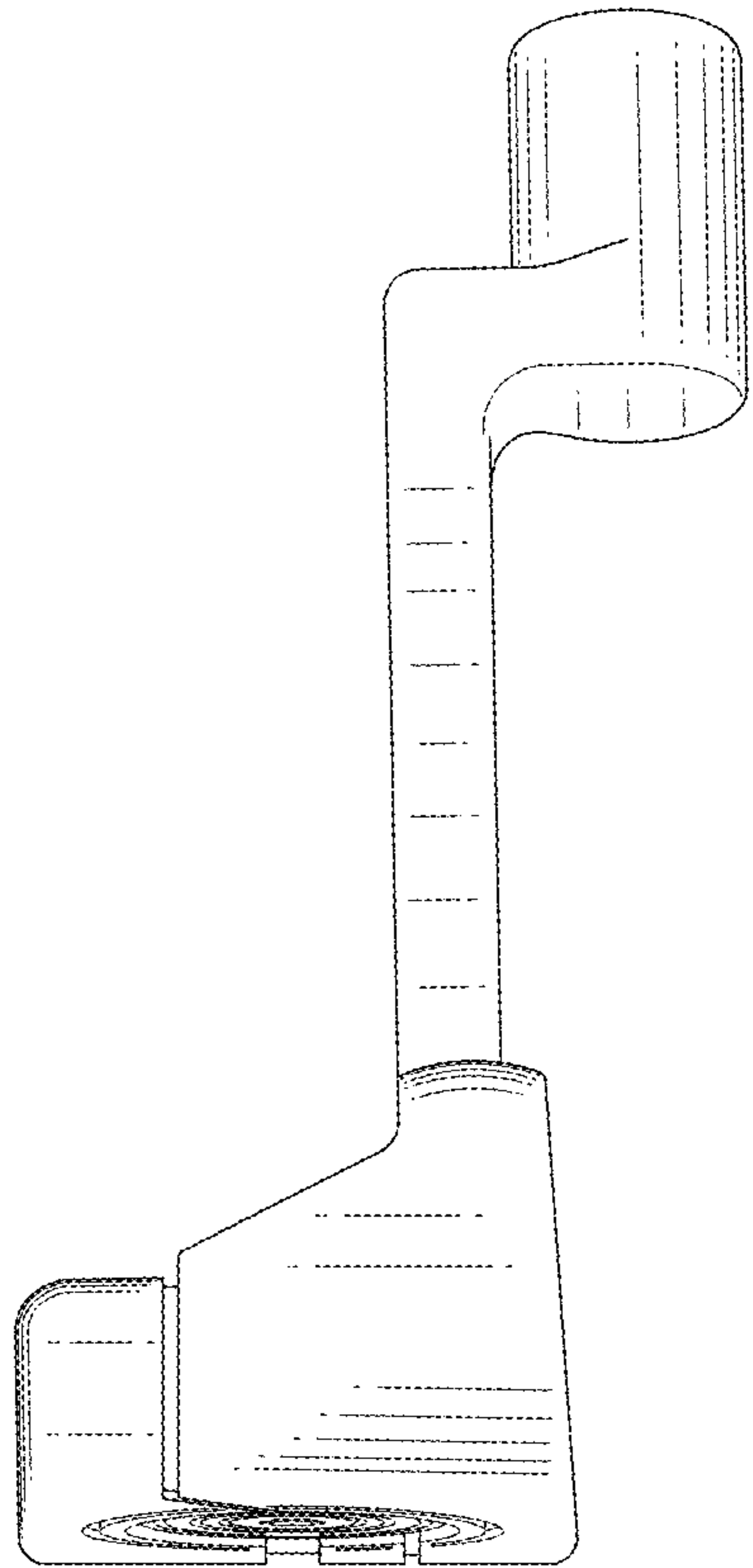


Fig. 5

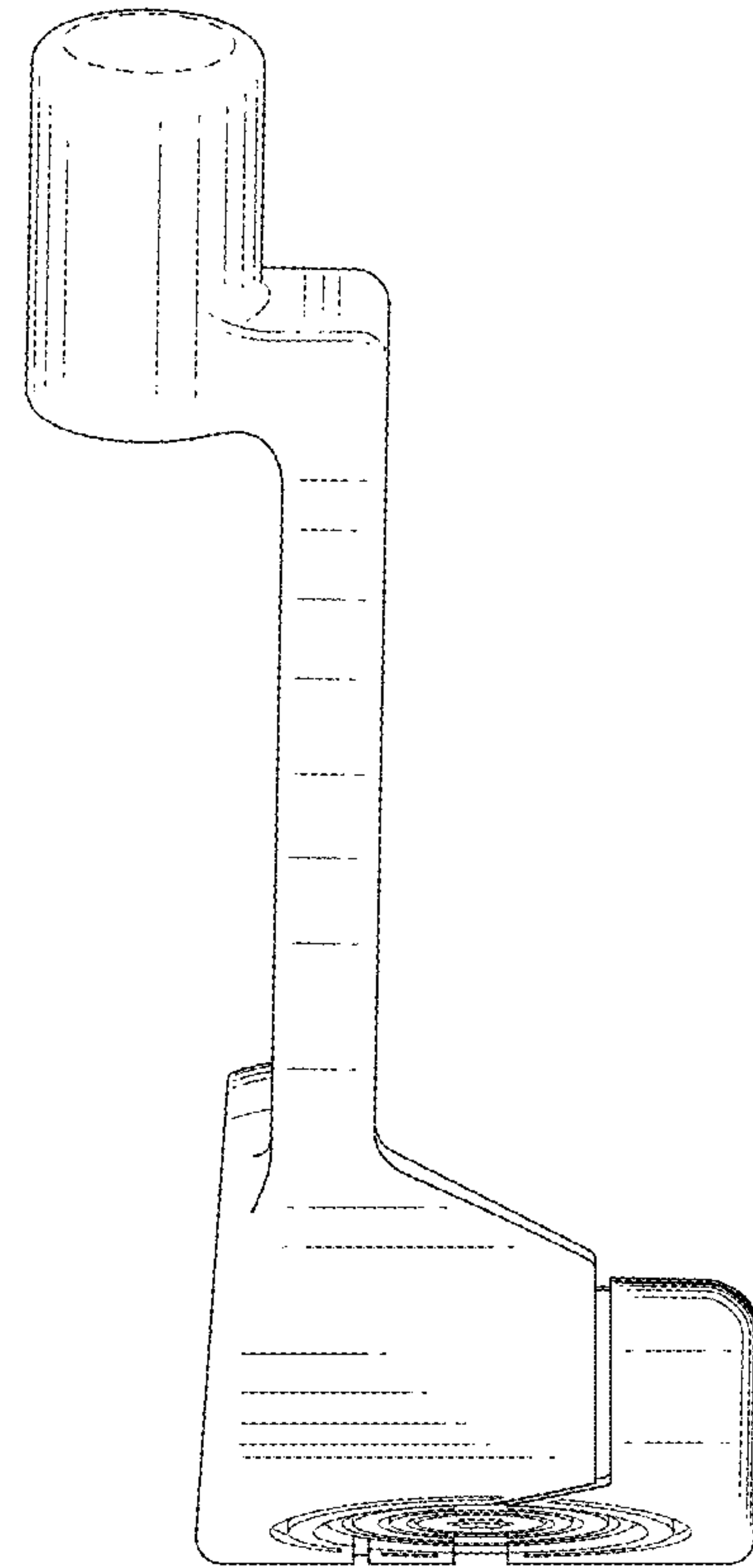


Fig. 6

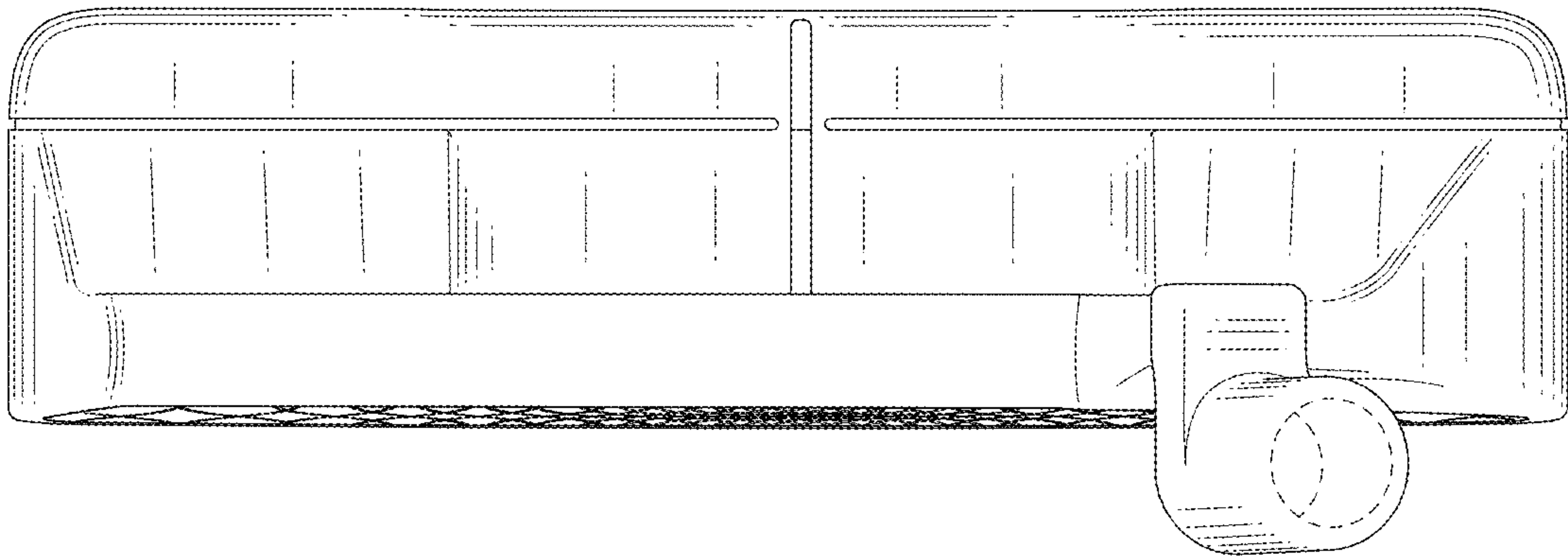


Fig. 7

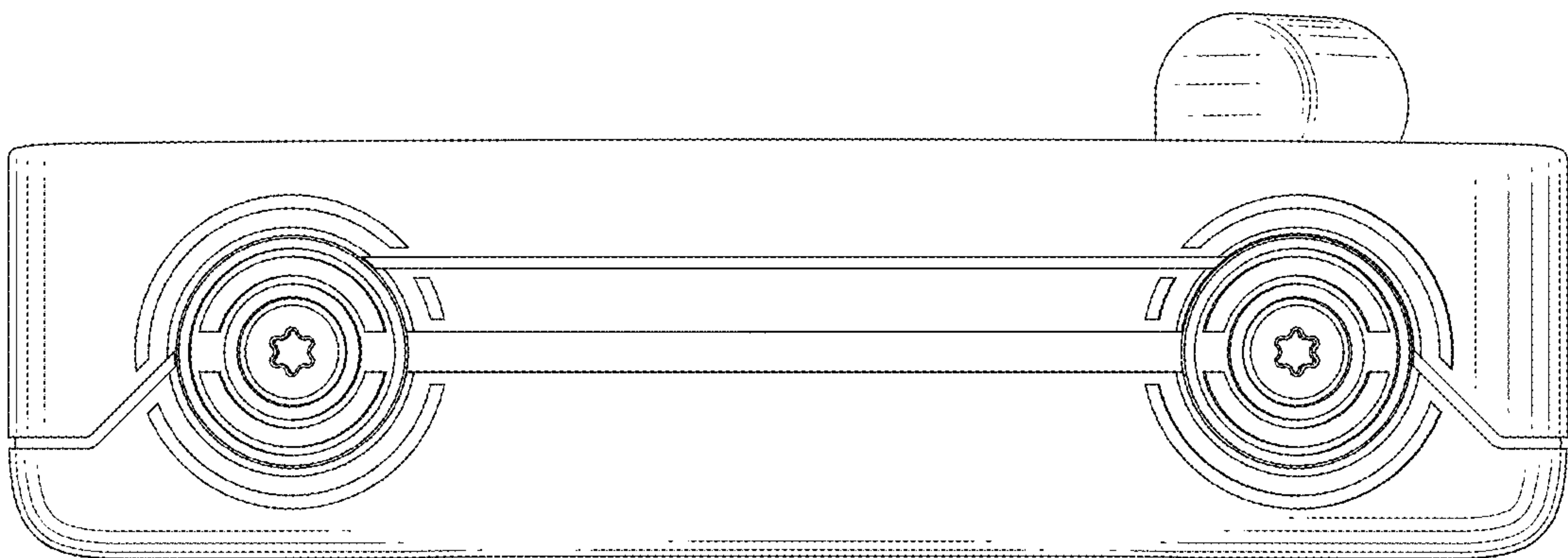


Fig. 8

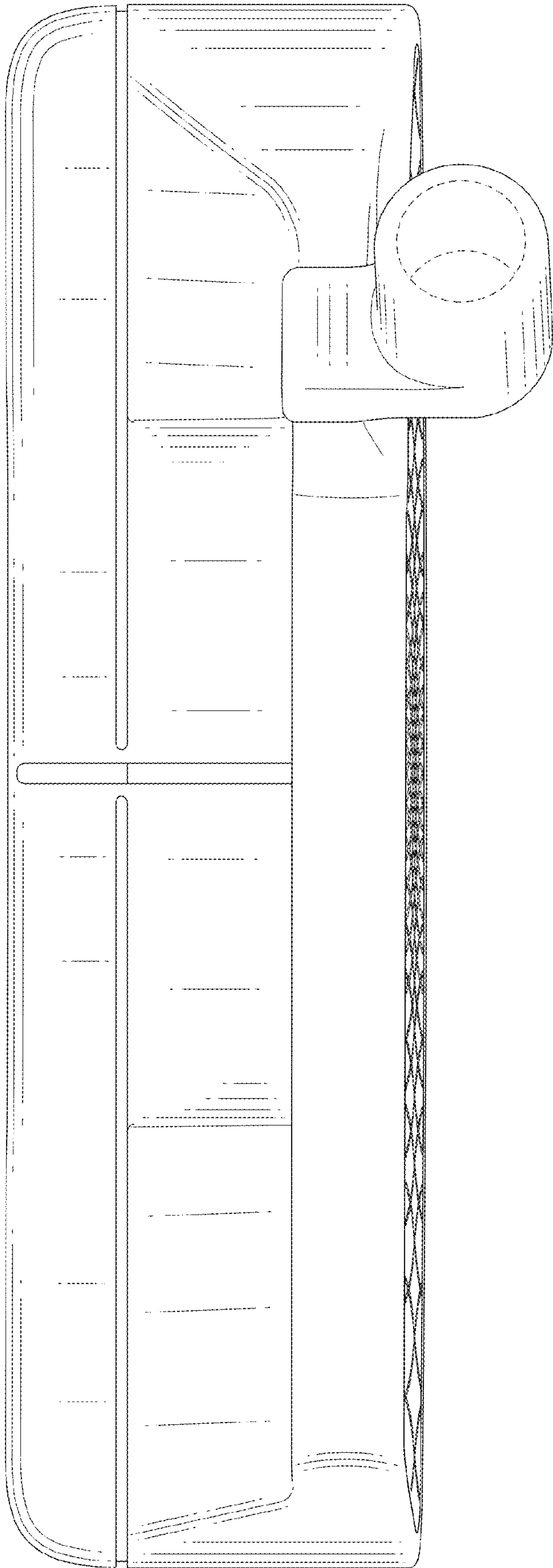


Fig. 9