



US00D978992S

(12) **United States Design Patent** (10) **Patent No.:** **US D978,992 S**
McDonald et al. (45) **Date of Patent:** **** Feb. 21, 2023**

- (54) **DUAL HANDLED EXERCISE ASSEMBLY**
- (71) Applicant: **Falkgrip LLC**, West Jordan, UT (US)
- (72) Inventors: **Gary McDonald**, Sandy, UT (US);
Jeremy Clement, West Jordan, UT (US)
- (73) Assignee: **Falkgrip LLC**, Sandy, UT (US)
- (**) Term: **15 Years**
- (21) Appl. No.: **29/803,029**
- (22) Filed: **Aug. 10, 2021**
- (51) **LOC (14) Cl.** **21-02**
- (52) **U.S. Cl.**
USPC **D21/682**; D21/680; D21/662
- (58) **Field of Classification Search**
USPC D21/680, 681, 682
CPC A63B 21/0602; A63B 21/00058; A63B 21/0004; A63B 21/00043; A63B 21/4035
See application file for complete search history.

D858,659 S *	9/2019	Doyle	A63B 21/0085
				D21/680
D858,660 S *	9/2019	Connors, Jr.	D21/682
D885,499 S *	5/2020	Sutton	D21/680
D923,120 S *	6/2021	Smith	D21/682
D955,507 S *	6/2022	Wang	D21/680
2003/0134716 A1*	7/2003	Yu	A63B 21/0004
				482/44
2007/0042881 A1*	2/2007	Wu	A63B 21/0004
				482/121
2009/0017920 A1*	1/2009	Fox et al.	482/112
2014/0256522 A1*	9/2014	Holt, IV	A63B 21/4035
				482/110

* cited by examiner

Primary Examiner — Katherine A Holbrow
Assistant Examiner — Riya Salil Kamat
(74) *Attorney, Agent, or Firm* — Bretton L. Crockett;
TechLaw Ventures, PLLC

(57) **CLAIM**

We claim the ornamental design for a dual handled exercise assembly, as shown and described.

DESCRIPTION

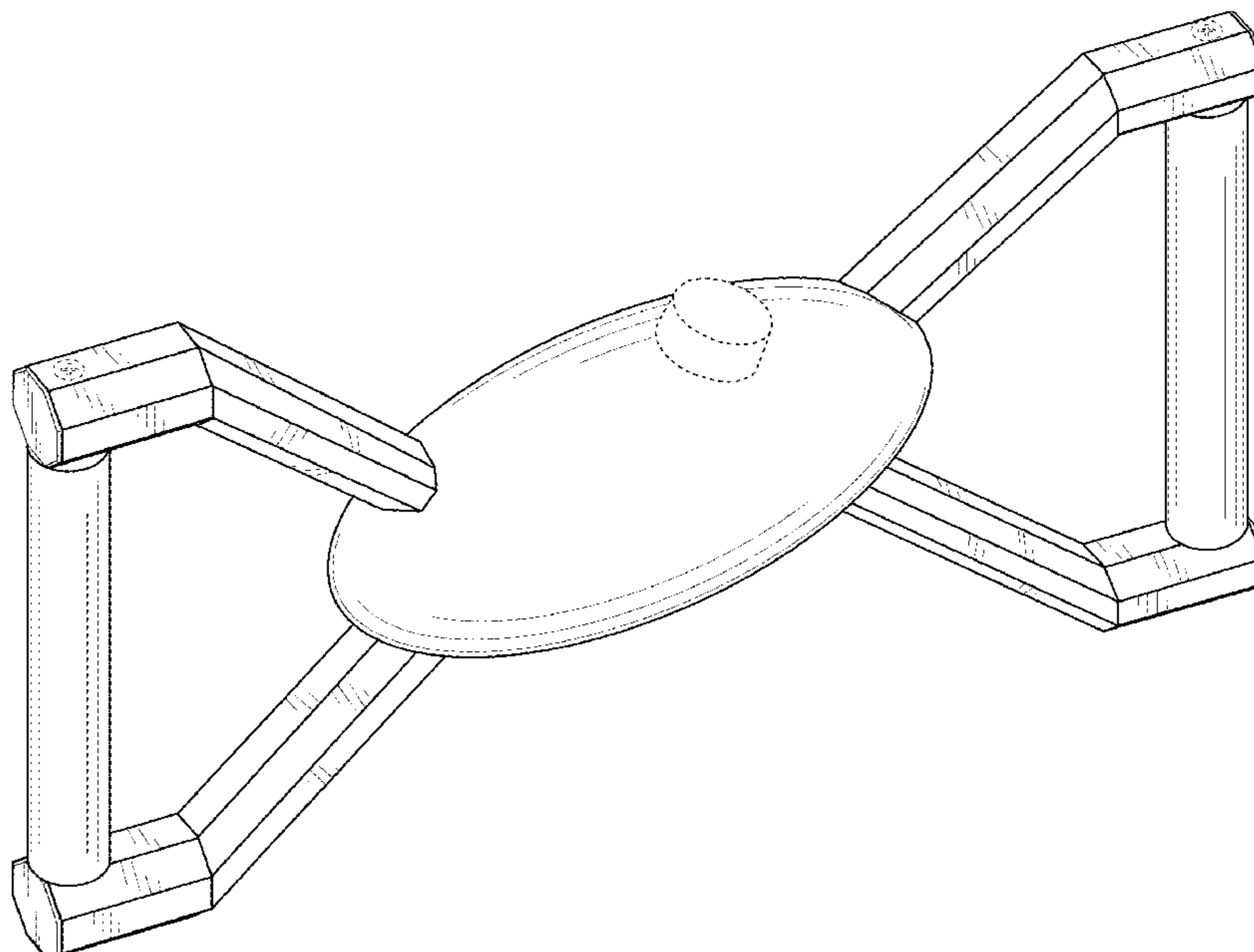
FIG. 1 is a perspective view of the assembled new dual handled exercise assembly design;
FIG. 2 is a front view thereof;
FIG. 3 is a rear view thereof;
FIG. 4 is a left side view thereof;
FIG. 5 is a right side view thereof;
FIG. 6 is a top view thereof; and,
FIG. 7 is a bottom view thereof.
The broken lines in the drawing views represent unclaimed portions of a dual handled exercise assembly, which are included for the purpose of illustrating unclaimed environment only, and form no part of the claimed design.

1 Claim, 5 Drawing Sheets

(56) **References Cited**

U.S. PATENT DOCUMENTS

D187,626 S *	4/1960	Irving	D21/678
D232,368 S *	8/1974	Shales	D21/692
D370,951 S *	6/1996	Lazar	D21/692
6,514,179 B1 *	2/2003	Yu	A63B 23/1272
				482/44
D568,950 S *	5/2008	Yewer, Jr.	D21/680
D659,204 S *	5/2012	Cotter	A63B 43/04
				D21/680
D660,929 S *	5/2012	Fitzpatrick	D21/692
D789,461 S *	6/2017	Magloire	D21/682
D798,969 S *	10/2017	Lozito	D21/682
9,795,826 B1 *	10/2017	Vardi	A63B 21/072
D818,546 S *	5/2018	Martin	D21/682
D843,510 S *	3/2019	Ross	D21/682



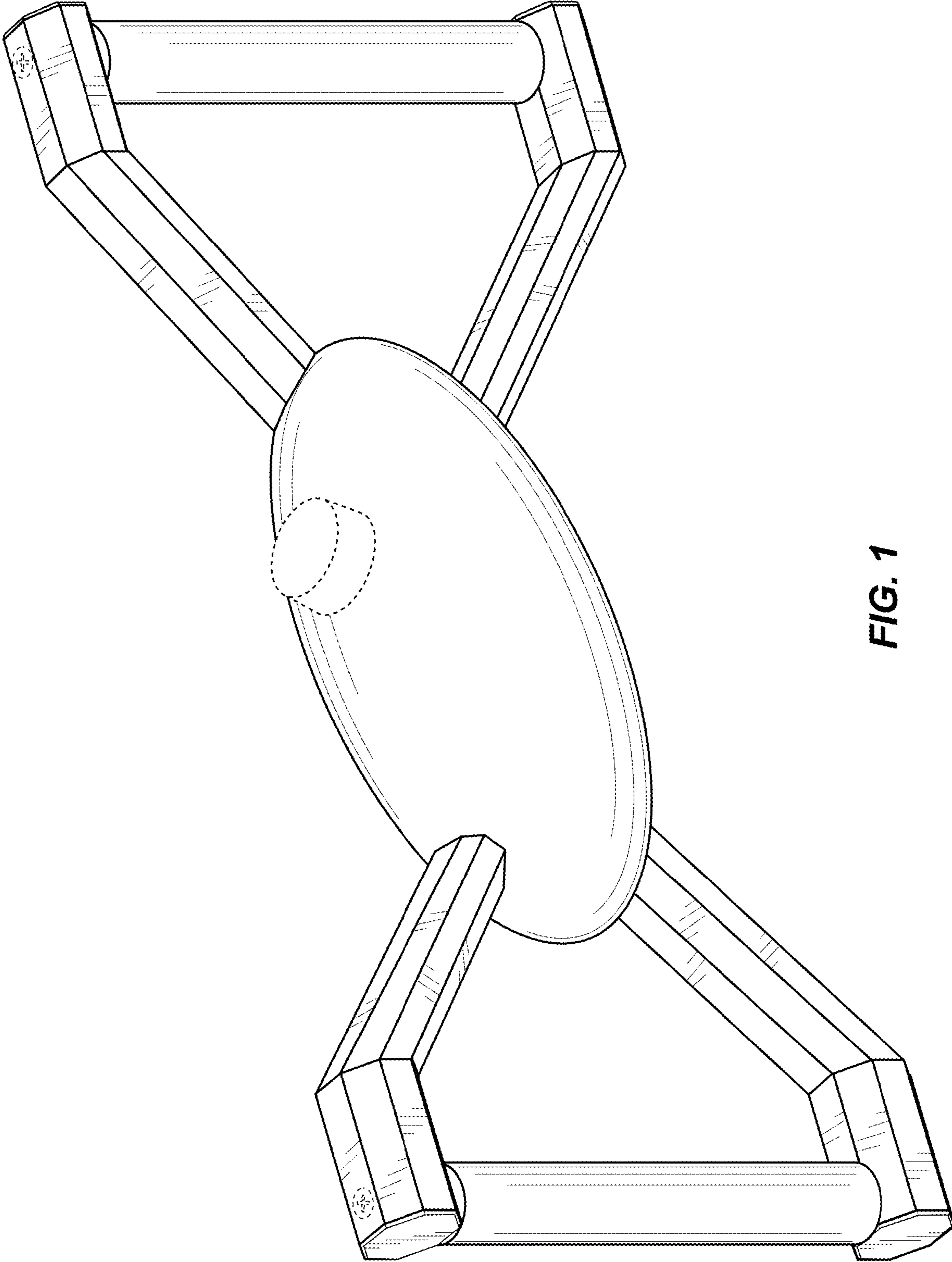


FIG. 1

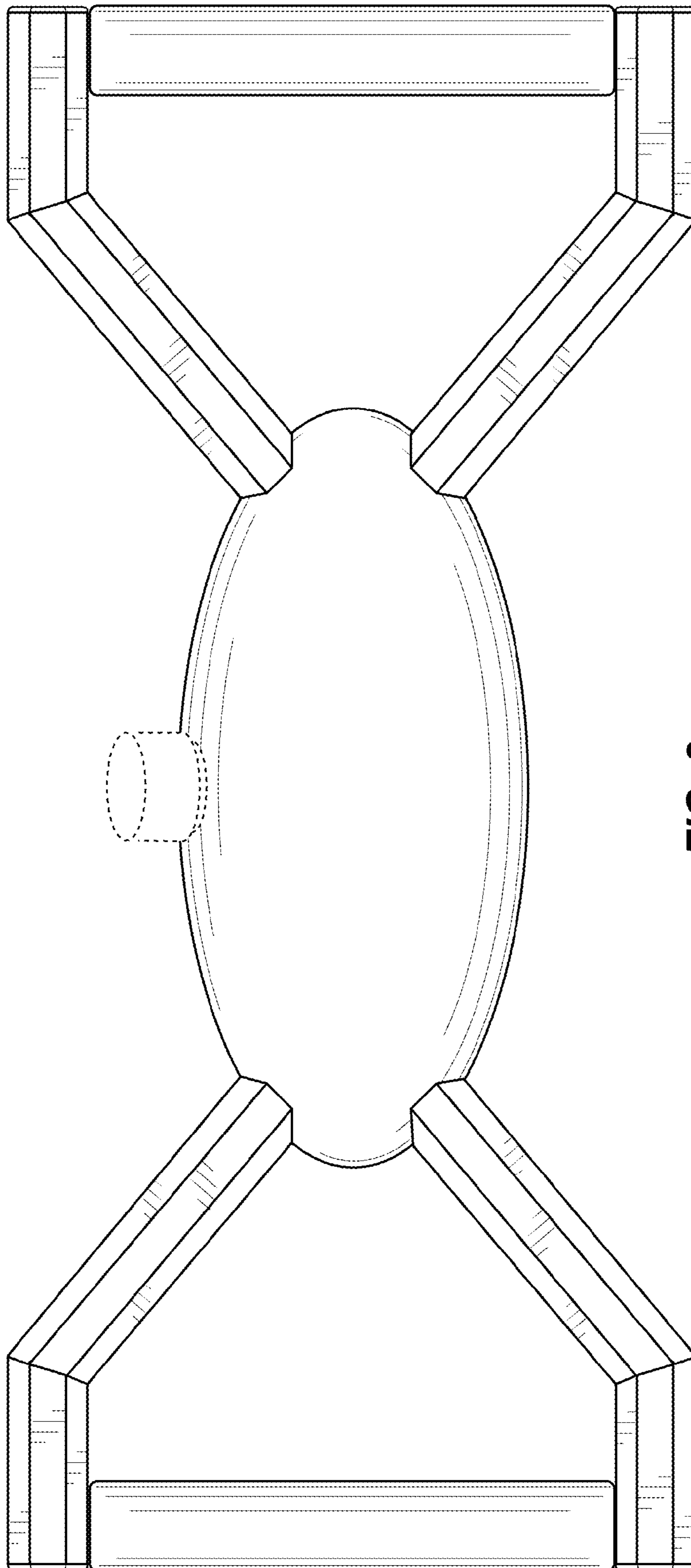


FIG. 2

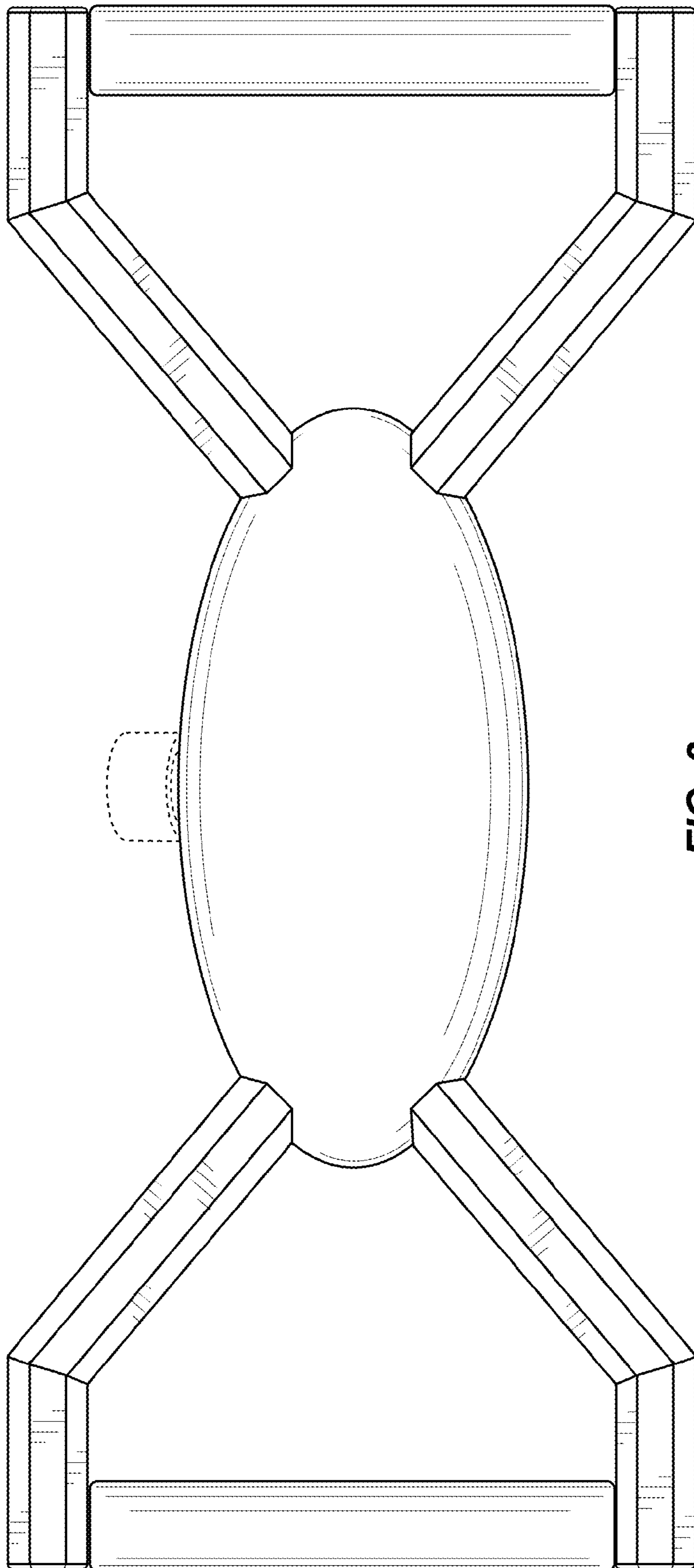


FIG. 3

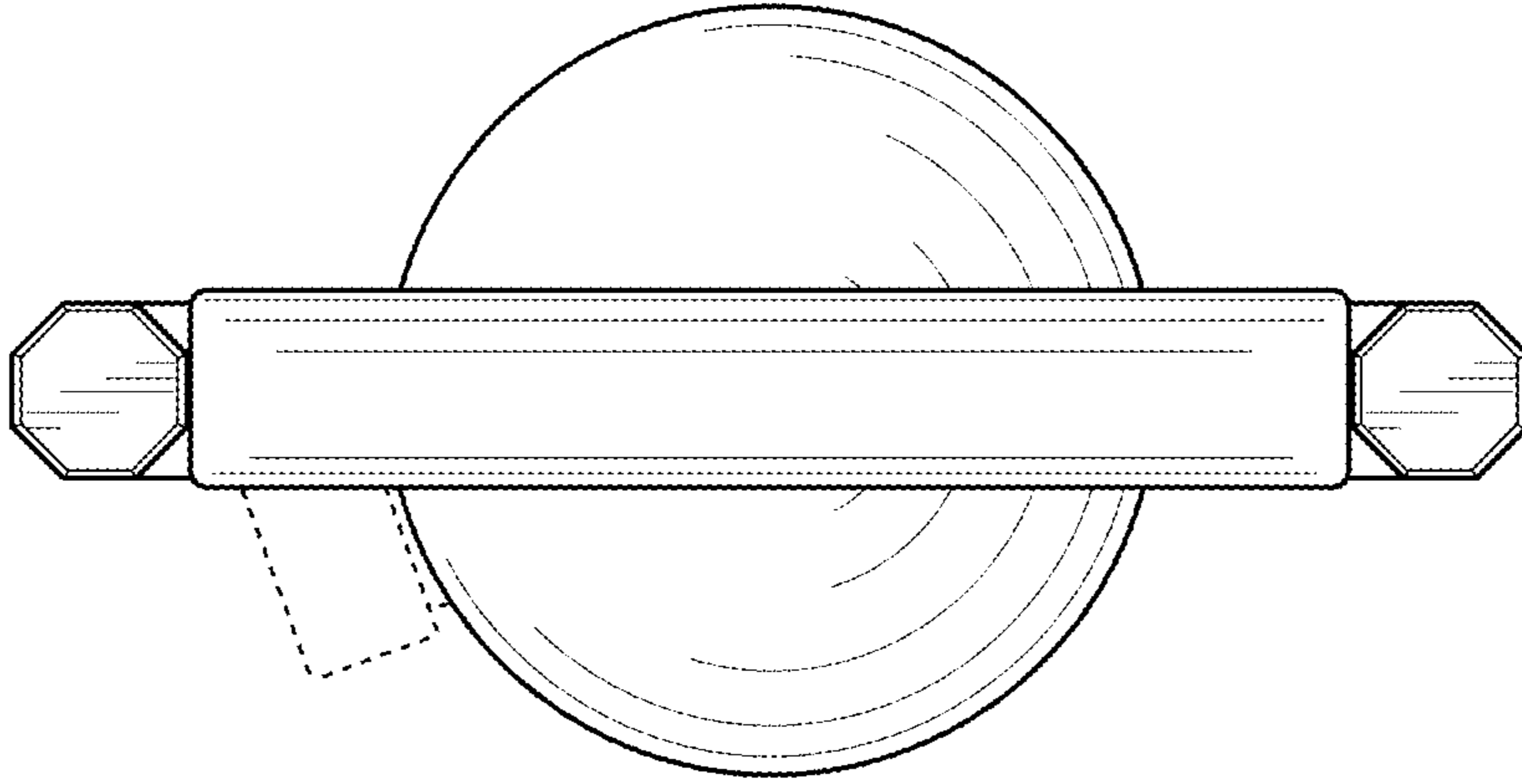


FIG. 5

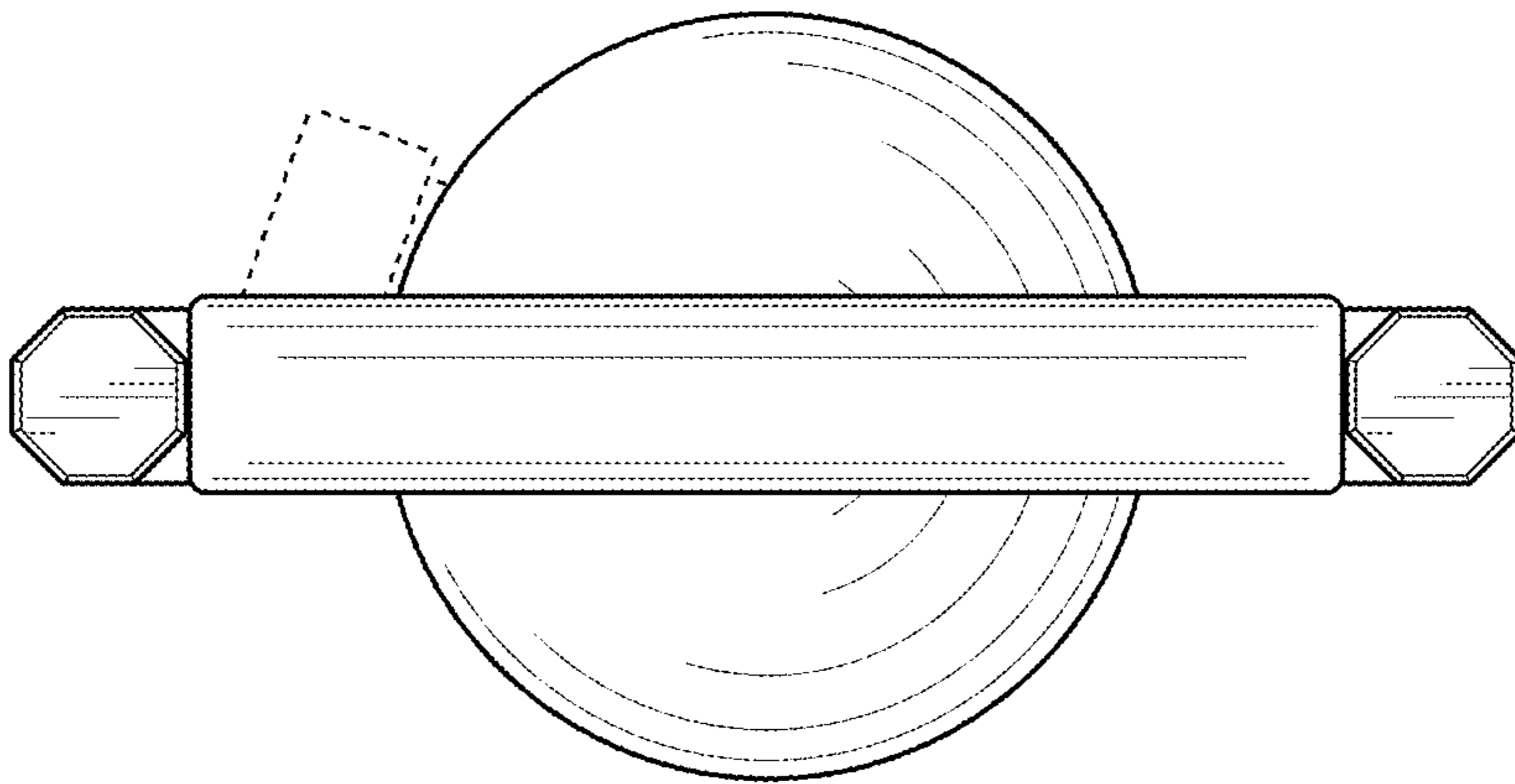


FIG. 4

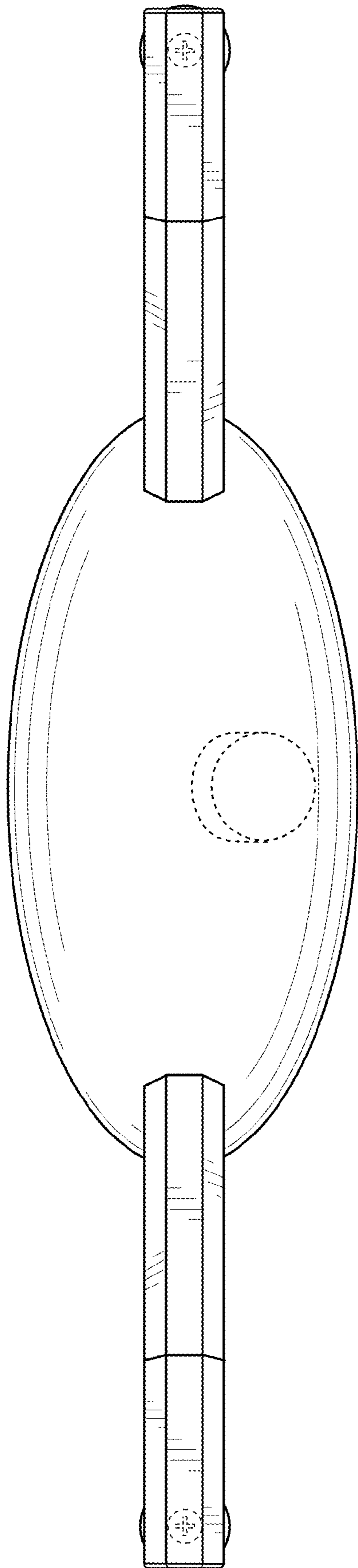


FIG. 6

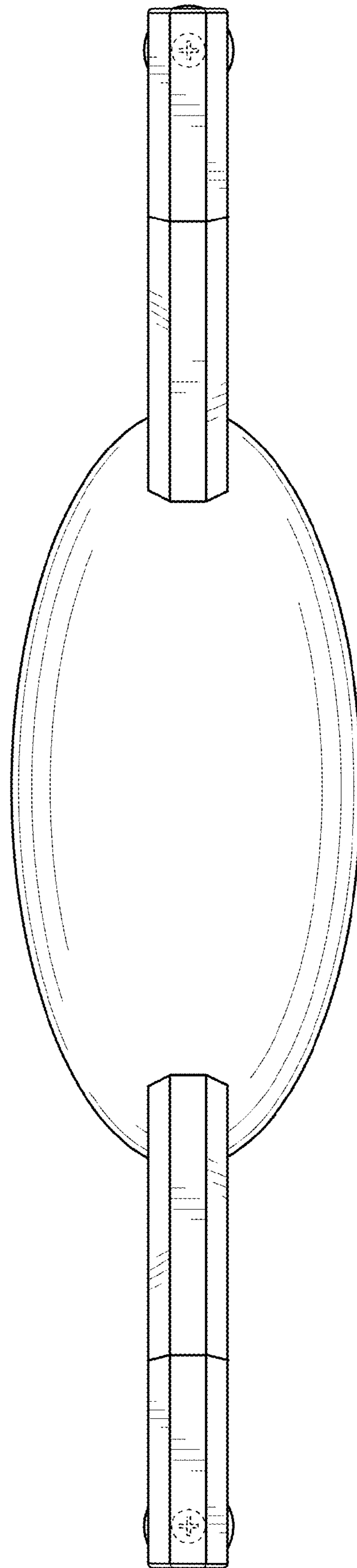


FIG. 7