



US00D978991S

(12) **United States Design Patent** (10) **Patent No.:** **US D978,991 S**
Sun (45) **Date of Patent:** **** Feb. 21, 2023**

(54) **ROWING MACHINE**

(71) Applicant: **Ben Sun**, Zhejiang (CN)

(72) Inventor: **Ben Sun**, Zhejiang (CN)

(**) Term: **15 Years**

(21) Appl. No.: **29/784,946**

(22) Filed: **May 21, 2021**

(30) **Foreign Application Priority Data**

May 18, 2021 (CN) 202130298034.4

(51) **LOC (14) Cl.** **21-02**

(52) **U.S. Cl.**
USPC **D21/674**

(58) **Field of Classification Search**

USPC 482/72, 111; D21/674

CPC A63B 22/0076; A63B 21/225; A63B
22/0087

See application file for complete search history.

(56) **References Cited**

U.S. PATENT DOCUMENTS

D861,805 S *	10/2019	Lisi	D21/674
D969,243 S *	11/2022	Lu	D21/674
2003/0216227 A1 *	11/2003	Smith	A63B 21/0088
				482/111
2020/0282256 A1 *	9/2020	Boyles	A63B 69/0057
2021/0121735 A1 *	4/2021	Chou	A63B 22/0605
2022/0193486 A1 *	6/2022	Lin	A63B 22/20

OTHER PUBLICATIONS

Sunny Health & Fitness Magnetic Rowing Machine with Optional Exclusive SunnyFit™ App and Smart Bluetooth Connectivity, shown

in www.Amazon.com. Web. Nov. 2, 2015. Asin B017HSNIEW. (Year: 2015).*

Yosuda Magnetic Rowing Machine 350 LB Weight Capacity—Foldable Rower for Home Use with LCD Monitor, Tablet Holder and Comfortable Seat Cushion, shown in www.Amazon.com. Web. May 21, 2021. ASIN B095JR2FTV. (Year: 2021).*

* cited by examiner

Primary Examiner — Gino Colan

Assistant Examiner — Gregory G McLemore

(74) *Attorney, Agent, or Firm* — ScienBiziP, P.C.

(57) **CLAIM**

The ornamental design for a rowing machine, as shown and described.

DESCRIPTION

FIG. 1 is a front, right, and top perspective view of a rowing machine, showing my design.

FIG. 2 is a rear, left, and bottom perspective view thereof.

FIG. 3 is a front elevation view thereof.

FIG. 4 is a rear elevation view thereof.

FIG. 5 is a left side elevation view thereof.

FIG. 6 is a right side elevation view thereof.

FIG. 7 is a top plan view thereof.

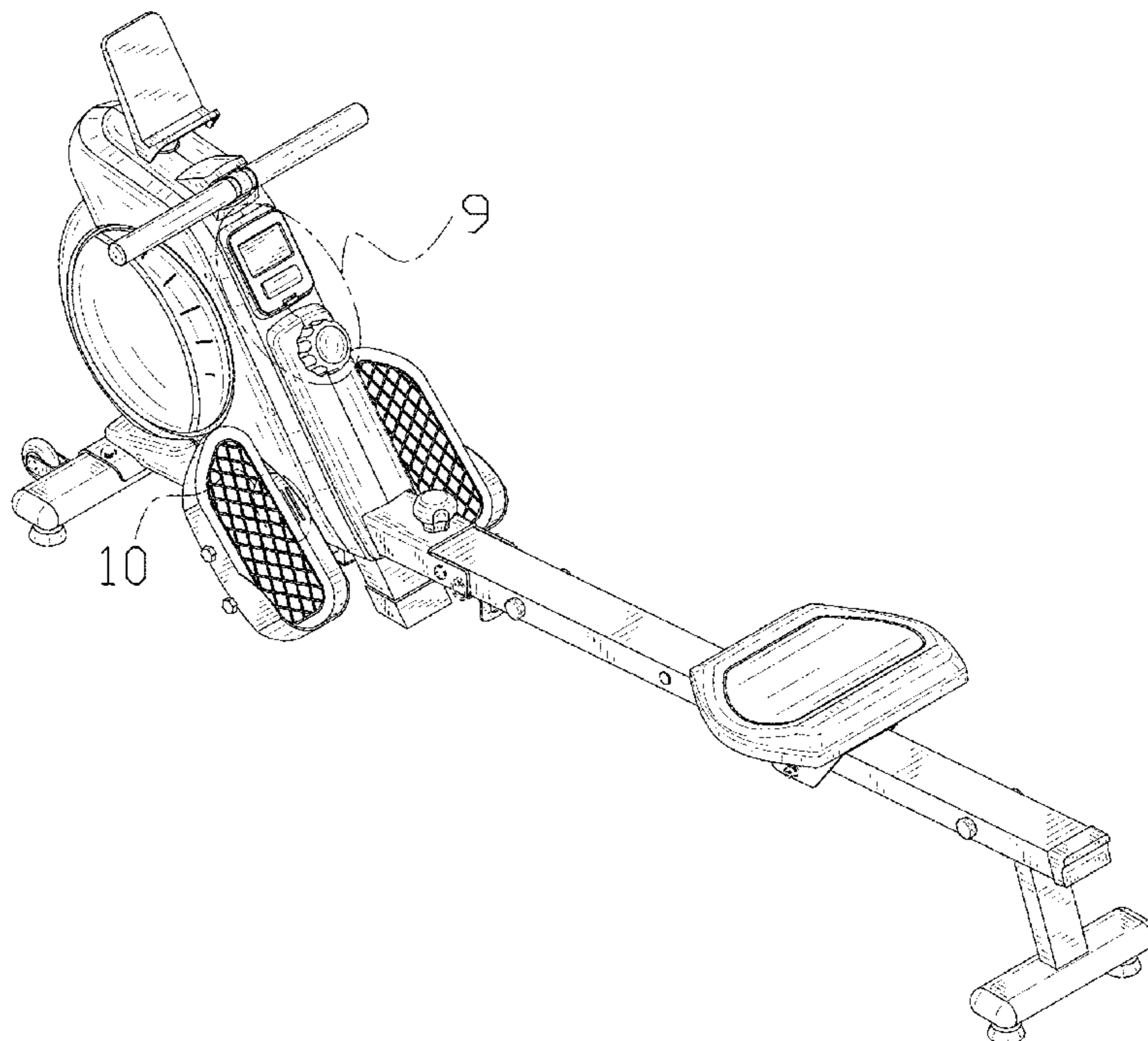
FIG. 8 is a bottom plan view thereof.

FIG. 9 is a partial enlarged view of an area labeled 9 in FIG. 1 comprising a regulator; and,

FIG. 10 is a partial enlarged view of an area labeled 10 in FIG. 1 comprising a foot pedal.

The broken lines shown in the drawings are included for the purpose of illustrating portions of the rowing machine that form no part of the claimed design.

1 Claim, 10 Drawing Sheets



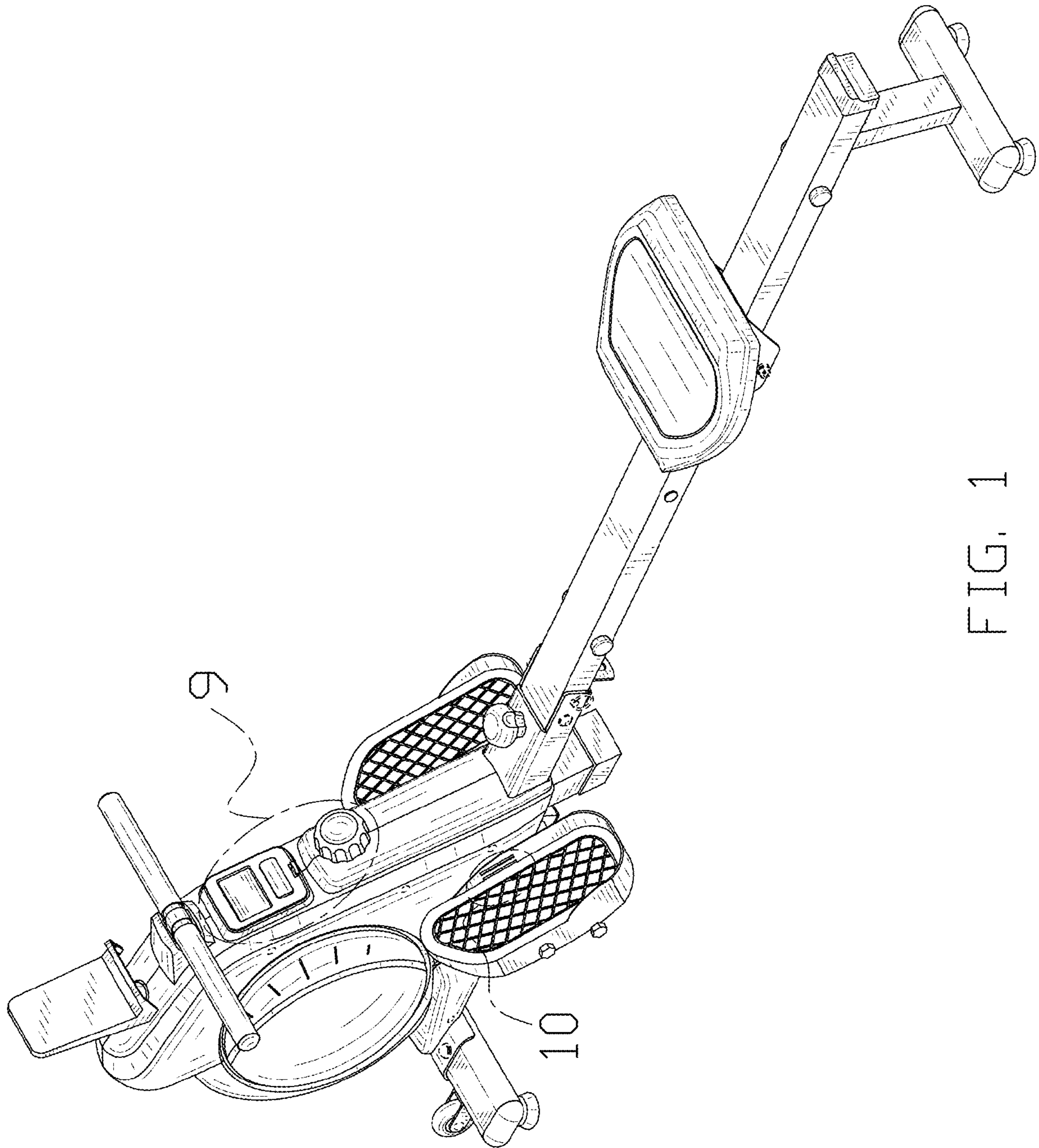


FIG. 1

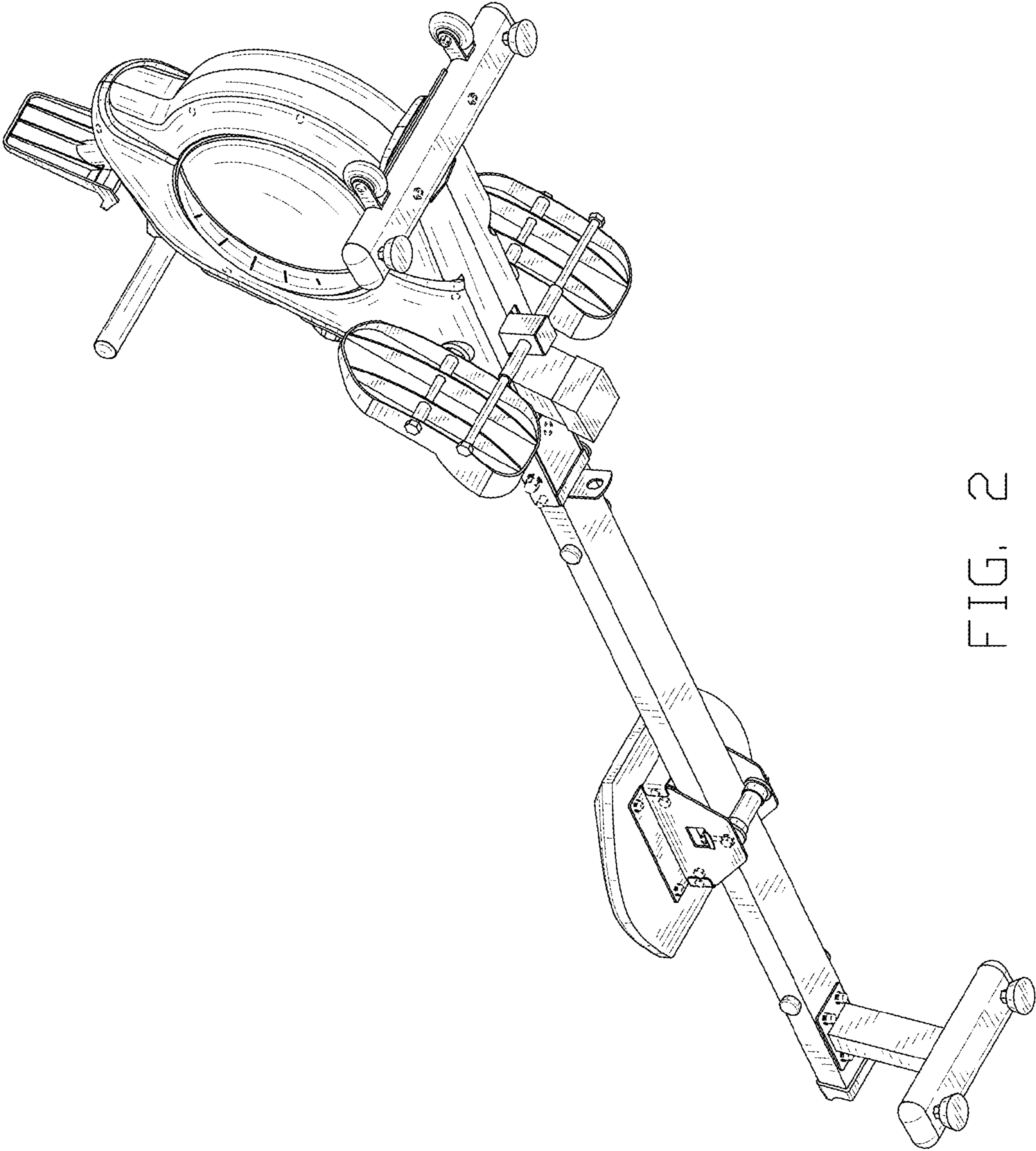


FIG. 2

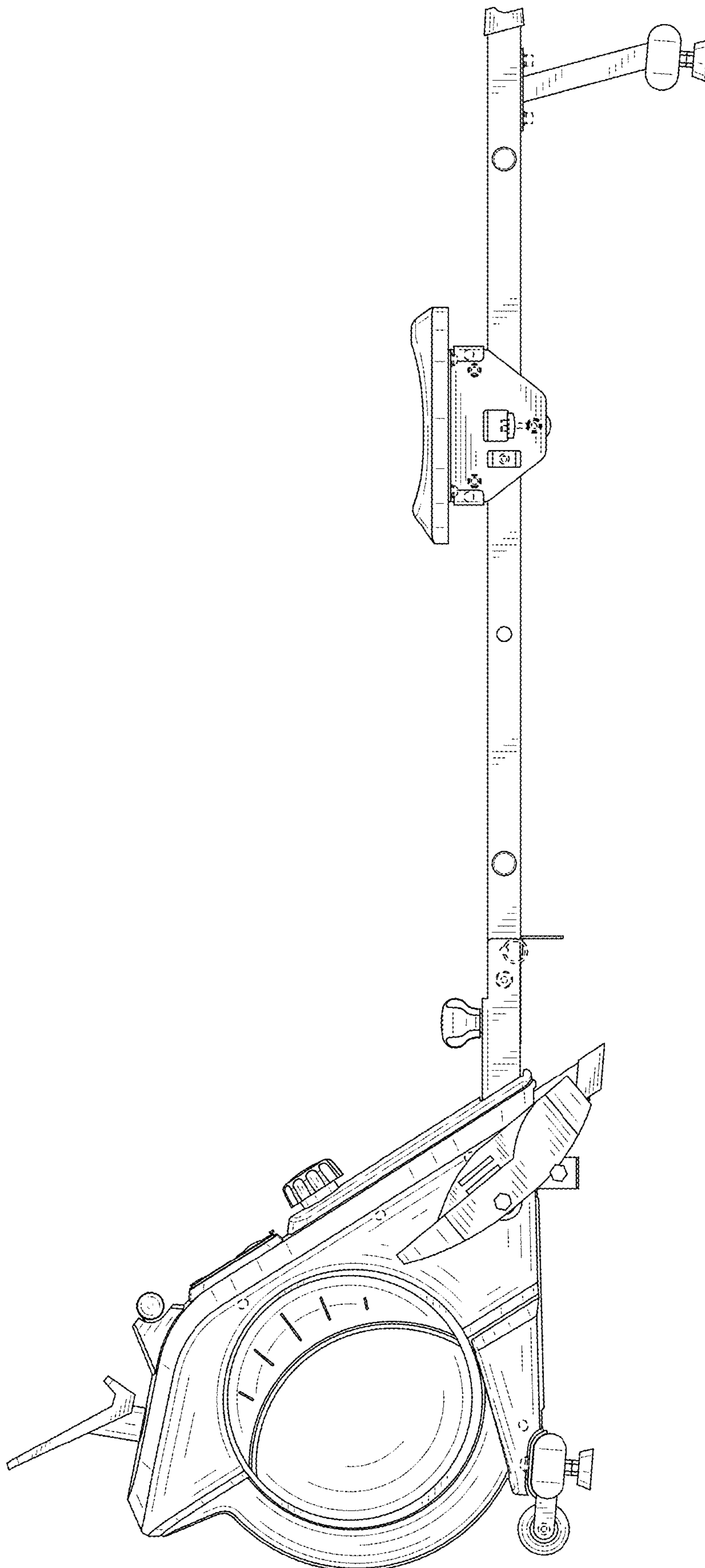


FIG. 3

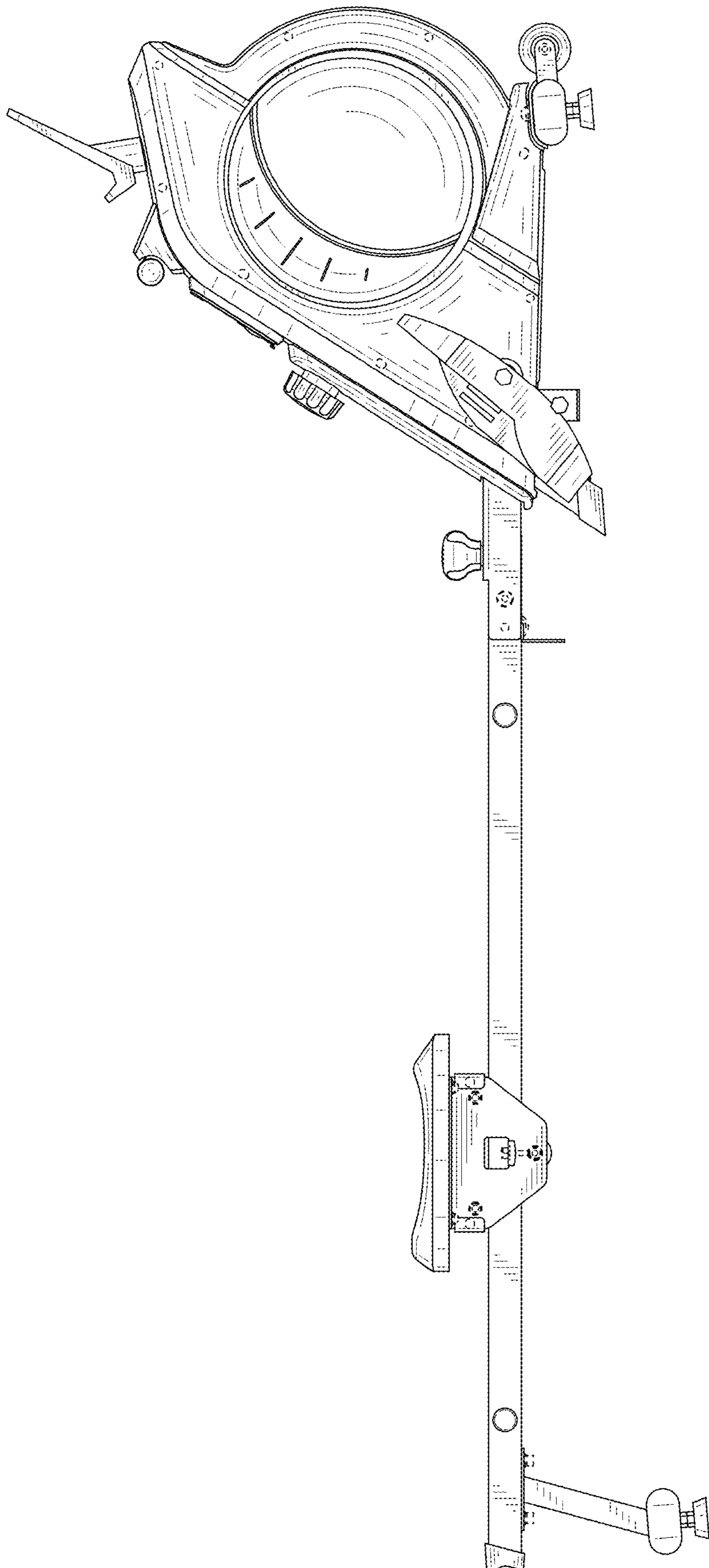


FIG. 4

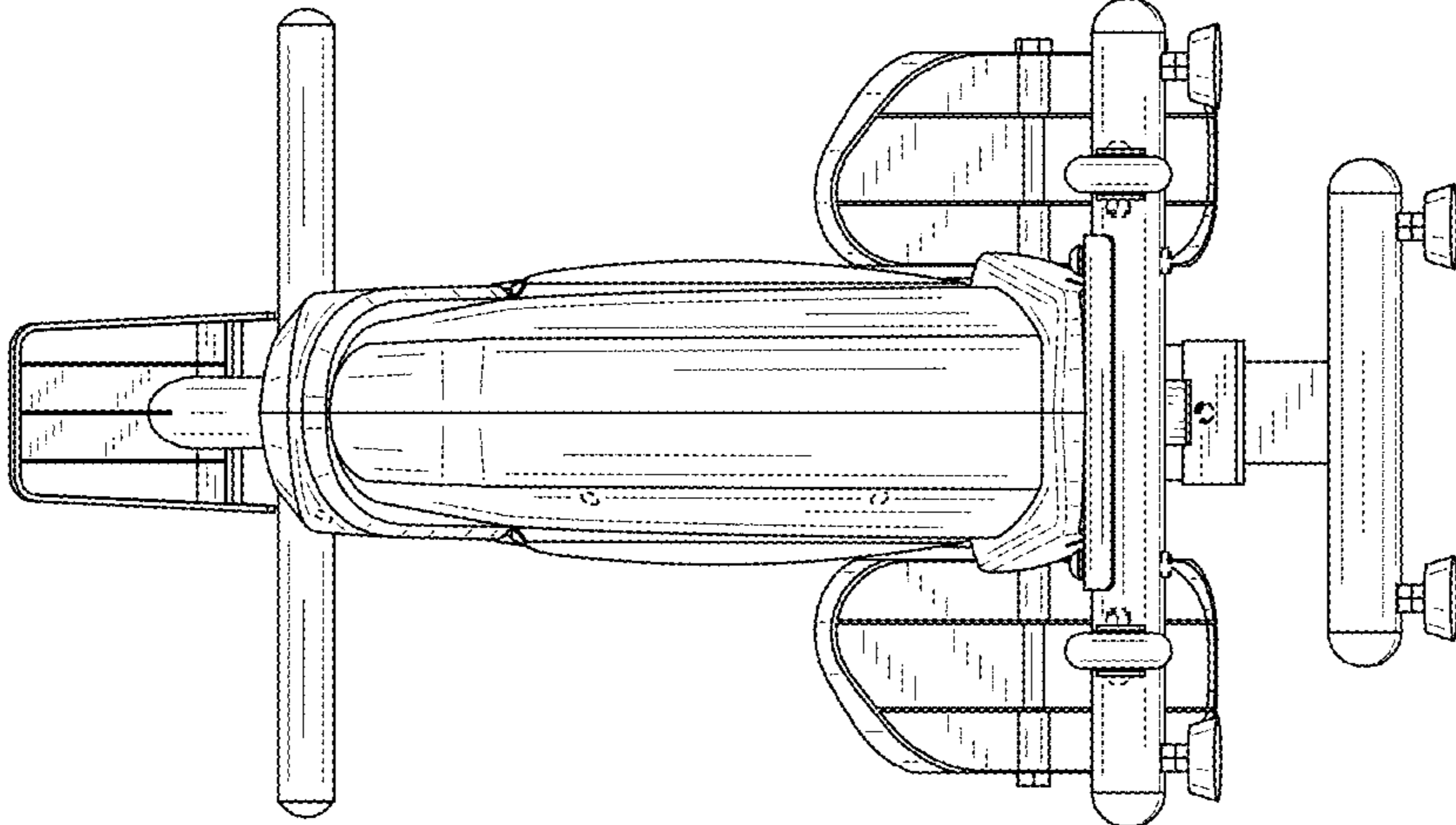


FIG. 5

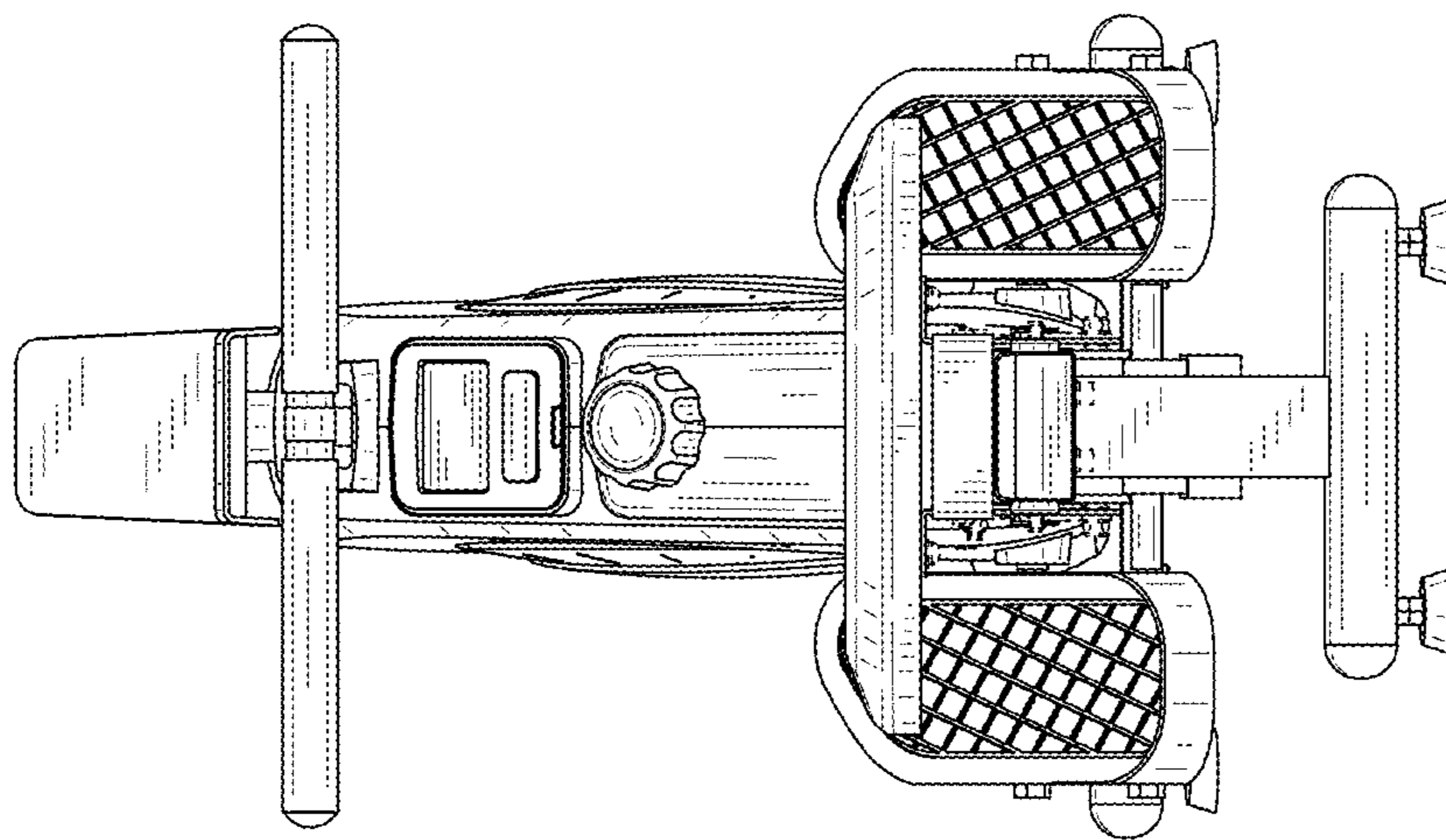


FIG. 6

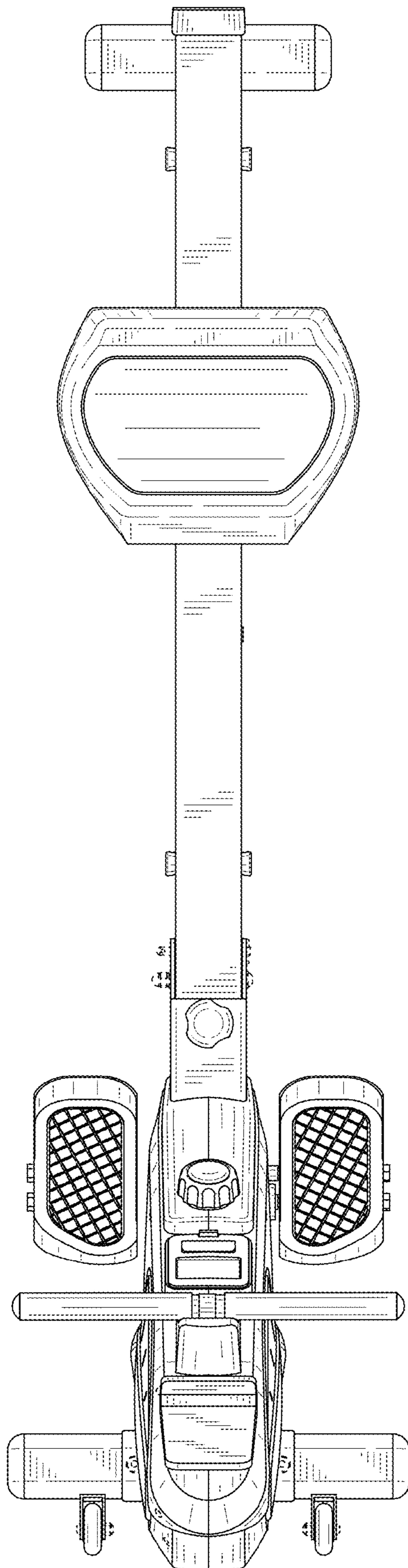


FIG. 7

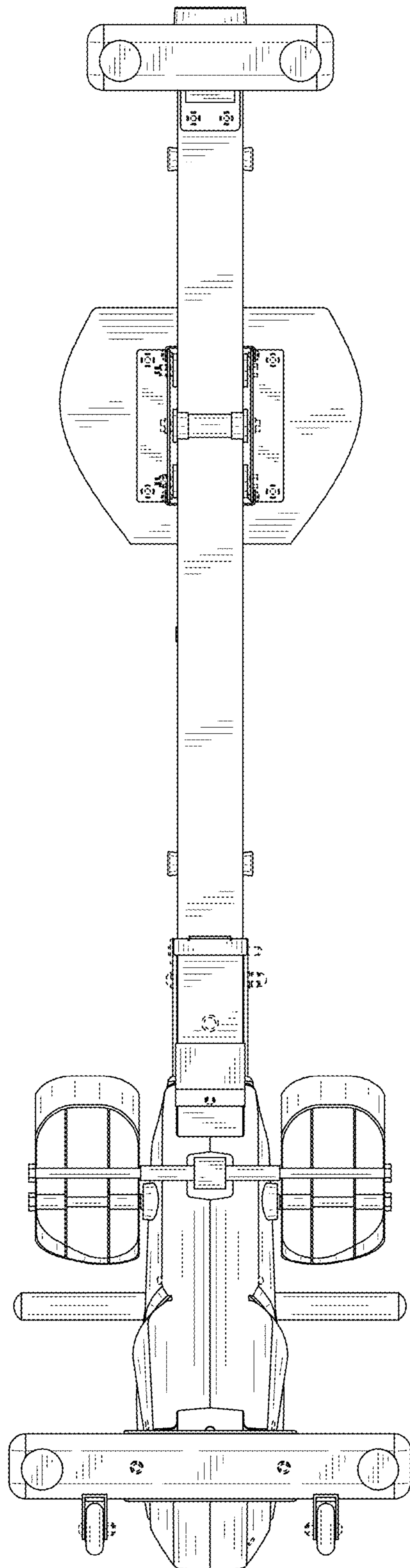


FIG. 8

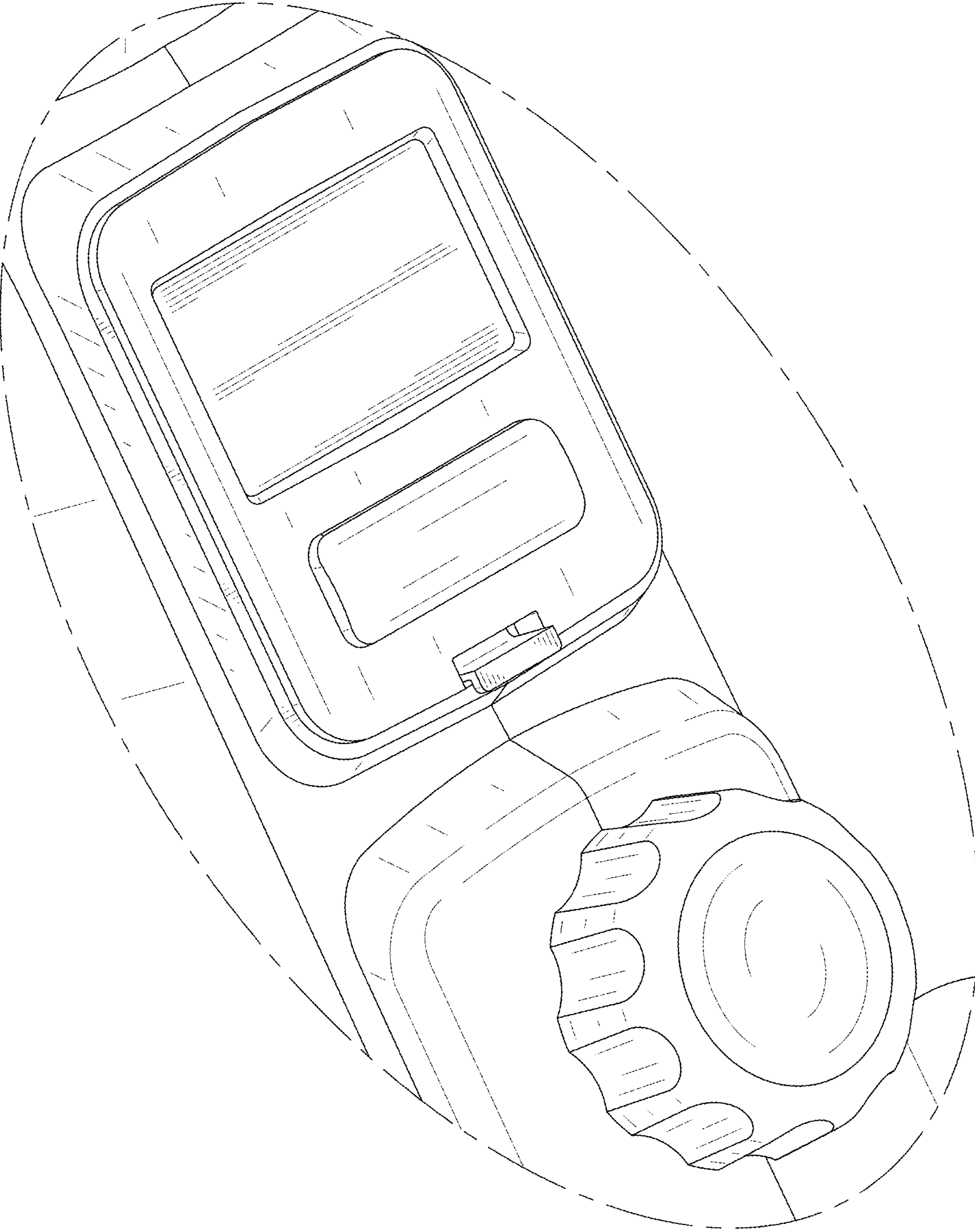


FIG. 9

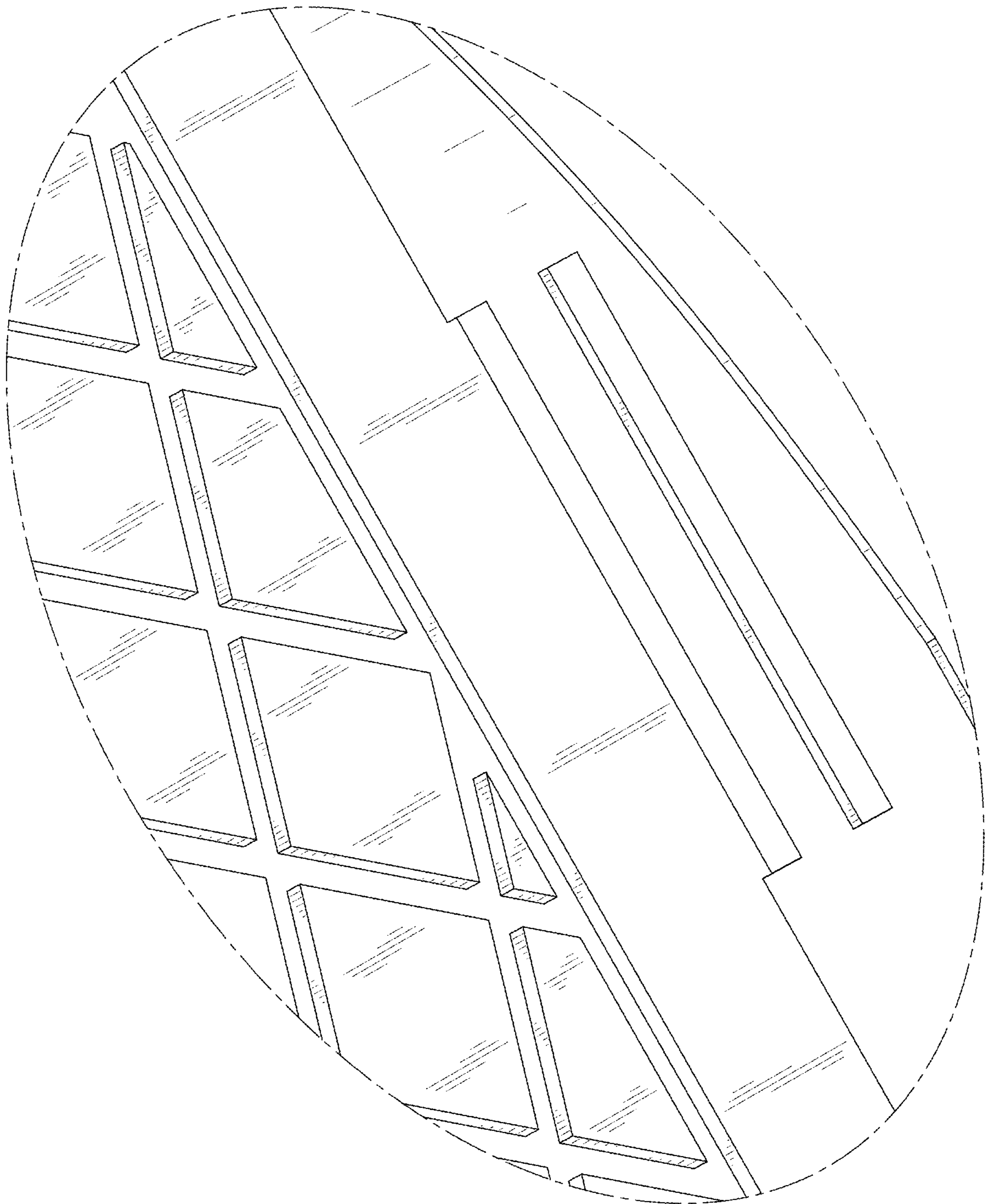


FIG. 10