

US00D978990S

(12) **United States Design Patent** (10) **Patent No.:** **US D978,990 S**  
**Chou** (45) **Date of Patent:** **\*\* Feb. 21, 2023**

(54) **ELLIPTICAL EXERCISE MACHINE**  
(71) Applicant: **Xiamen Zhoulong Sporting Goods Co., Ltd., Xiamen (CN)**  
(72) Inventor: **Yu-Chih Chou, Xiamen (CN)**  
(73) Assignee: **XIAMEN ZHOULONG SPORTING GOODS CO., LTD., Xiamen (CN)**  
(\*\*) Term: **15 Years**  
(21) Appl. No.: **29/768,509**  
(22) Filed: **Jan. 29, 2021**  
(51) **LOC (14) Cl.** ..... **21-02**  
(52) **U.S. Cl.**  
USPC ..... **D21/670**  
(58) **Field of Classification Search**  
USPC ..... D21/663, 662, 667, 670, 694, 697;  
D14/419  
CPC ... A63B 22/0605; A63B 22/203; A63B 69/18;  
A63B 22/0664; A63B 22/0046; A63B  
22/001; A63B 23/0222; A63B 2023/003;  
A63B 2022/0676; A61H 1/0214; B62K  
19/02  
See application file for complete search history.

D801,451 S \* 10/2017 Hooper ..... D21/668  
D801,454 S \* 10/2017 Hooper ..... D21/694  
D802,062 S \* 11/2017 Hooper ..... D21/663  
D843,502 S \* 3/2019 Hsieh ..... D21/668  
D843,503 S \* 3/2019 Xing ..... D21/670  
(Continued)

**FOREIGN PATENT DOCUMENTS**

CN 307397090 \* 6/2022

**OTHER PUBLICATIONS**

“Niceday Elliptical Machine” Jan. 28, 2021, Amazon, site visited  
Jun. 28, 2022: <https://amzn.to/3H40uA> (Year: 2021).\*

(Continued)

*Primary Examiner* — Jennifer L Rempfer  
*Assistant Examiner* — Salamah Jordan

(74) *Attorney, Agent, or Firm* — Muncy, Geissler, Olds & Lowe, P.C.

(57) **CLAIM**

The ornamental design for a elliptical exercise machine, as shown and described.

**DESCRIPTION**

FIG. 1 is a front elevational view of a elliptical exercise machine showing the new design;  
FIG. 2 is a rear elevational view thereof;  
FIG. 3 is a left-side elevational view thereof;  
FIG. 4 is a right-side elevational view thereof;  
FIG. 5 is a top plan view thereof;  
FIG. 6 is a bottom plan view thereof;  
FIG. 7 is a perspective view thereof; and,  
FIG. 8 is an enlarged view of the encircled portion ‘8’ in FIG. 3.

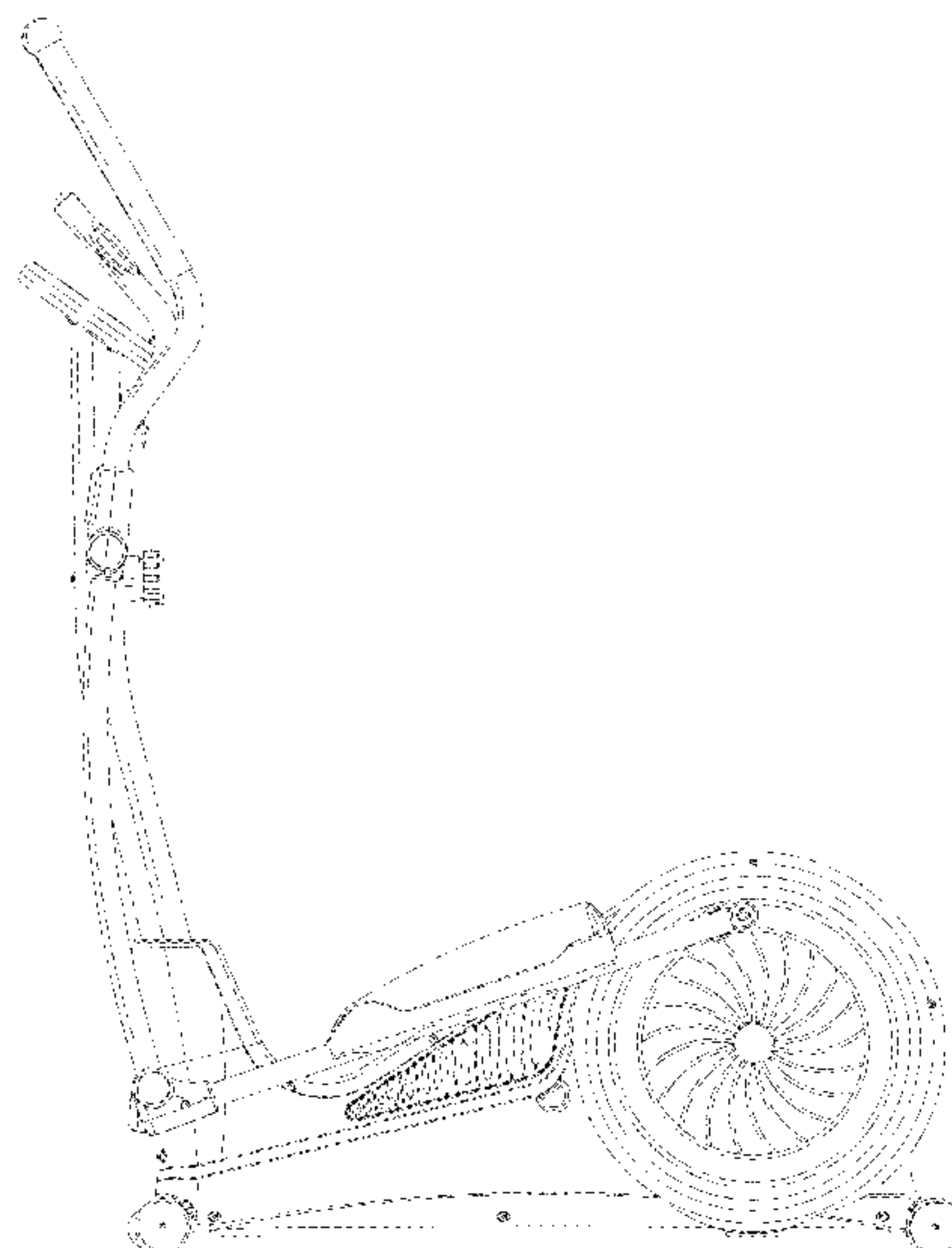
The broken lines shown in the drawings are for the purpose of illustrating portions of the article and form no part of the claimed design.

**1 Claim, 8 Drawing Sheets**

(56) **References Cited**

**U.S. PATENT DOCUMENTS**

D373,805 S \* 9/1996 Rawls ..... D21/670  
D405,852 S \* 2/1999 McBride ..... D21/668  
D484,930 S \* 1/2004 Yang ..... D21/670  
D559,925 S \* 1/2008 Horita ..... D21/670  
8,419,598 B2 \* 4/2013 Dyer ..... A63B 22/0007  
482/70  
8,808,149 B2 \* 8/2014 Huang ..... A63B 22/203  
482/52  
D785,730 S \* 5/2017 Huang ..... D21/670  
D797,219 S \* 9/2017 Horita ..... D21/694  
D797,870 S \* 9/2017 Horita ..... D21/694  
D798,398 S \* 9/2017 Horita ..... D21/694  
D798,399 S \* 9/2017 Hooper ..... D21/694



(56)

**References Cited**

U.S. PATENT DOCUMENTS

D850,541 S *	6/2019	Hu .....	D21/668
D853,503 S *	7/2019	Xing .....	D21/670
D854,100 S *	7/2019	Xing .....	D21/668
D864,315 S *	10/2019	Hume .....	D21/670
D906,445 S *	12/2020	Colburn .....	A63B 22/0664
			D21/663
D931,956 S *	9/2021	Cai .....	D21/688
11,110,318 B2 *	9/2021	Lo .....	A63B 22/0664
D949,255 S *	4/2022	Hsieh .....	D21/670
2011/0028277 A1 *	2/2011	Merli .....	A63B 23/03575
			482/63
2013/0267388 A1 *	10/2013	Wang .....	A63B 22/0664
			482/62

OTHER PUBLICATIONS

“Sunny Health & Fitness Pre-Programmed Elliptical Trainer” Sep. 2, 2020, Amazon, site visited Jun. 28, 2022: <https://amzn.to/3AeBtjs> (Year: 2020).\*

“Ancheer Elliptical Machine” May 3, 2022, Amazon, site visited Jun. 28, 2022: <https://amzn.to/3u8LMlv> (Year: 2022).\*

“10 Best Ellipticals 2018” Feb. 2, 2018, Youtube, site visited Oct. 3, 2022: <https://www.youtube.com/watch?v=3BljoKSMSEE> (Year: 2018).\*

“10 Best Ellipticals 2020” Mar. 18, 2020, Youtube, site visited Oct. 3, 2022: [https://www.youtube.com/watch?v=ctEm14Yn\\_zw](https://www.youtube.com/watch?v=ctEm14Yn_zw) (Year: 2020).\*

\* cited by examiner

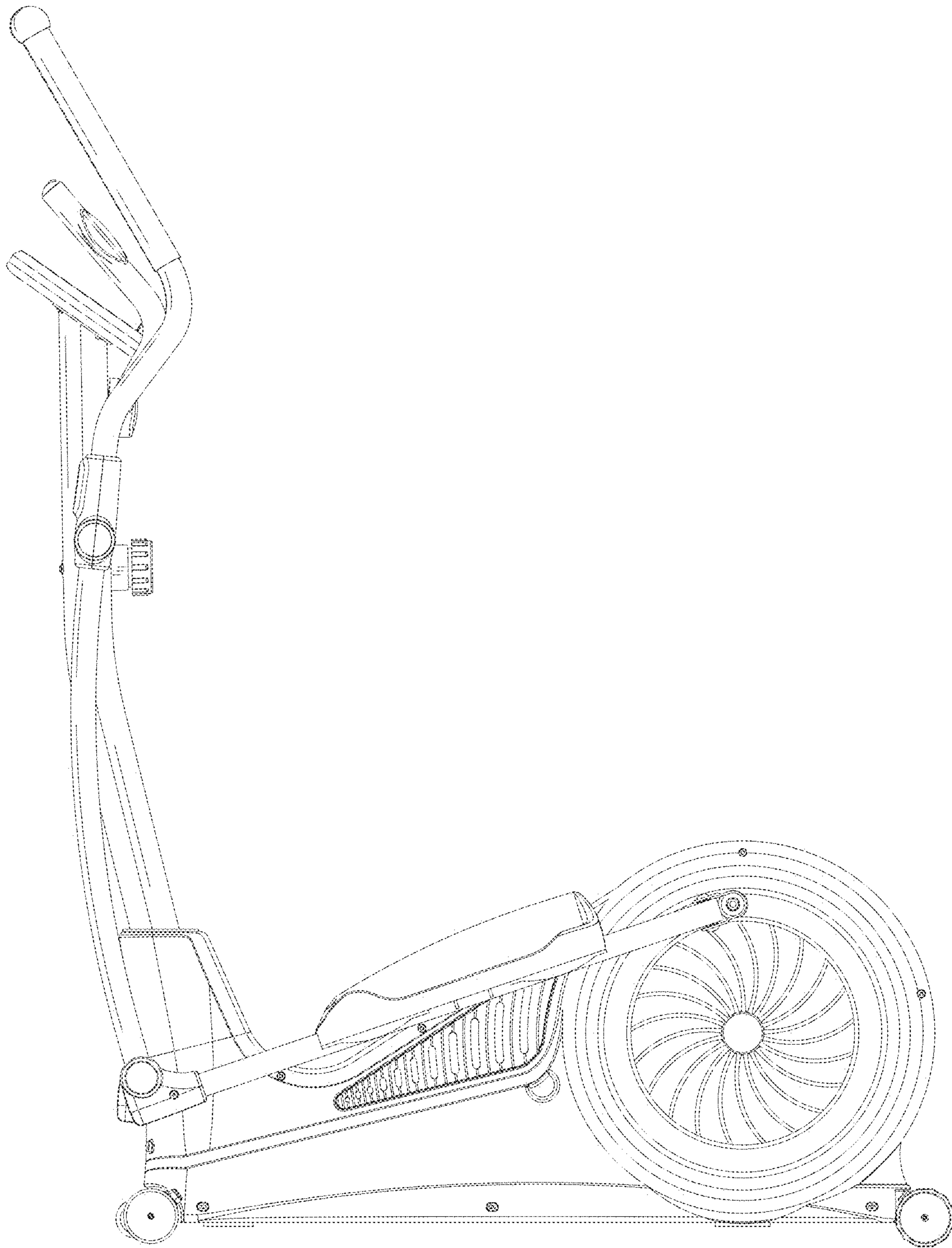


FIG. 1

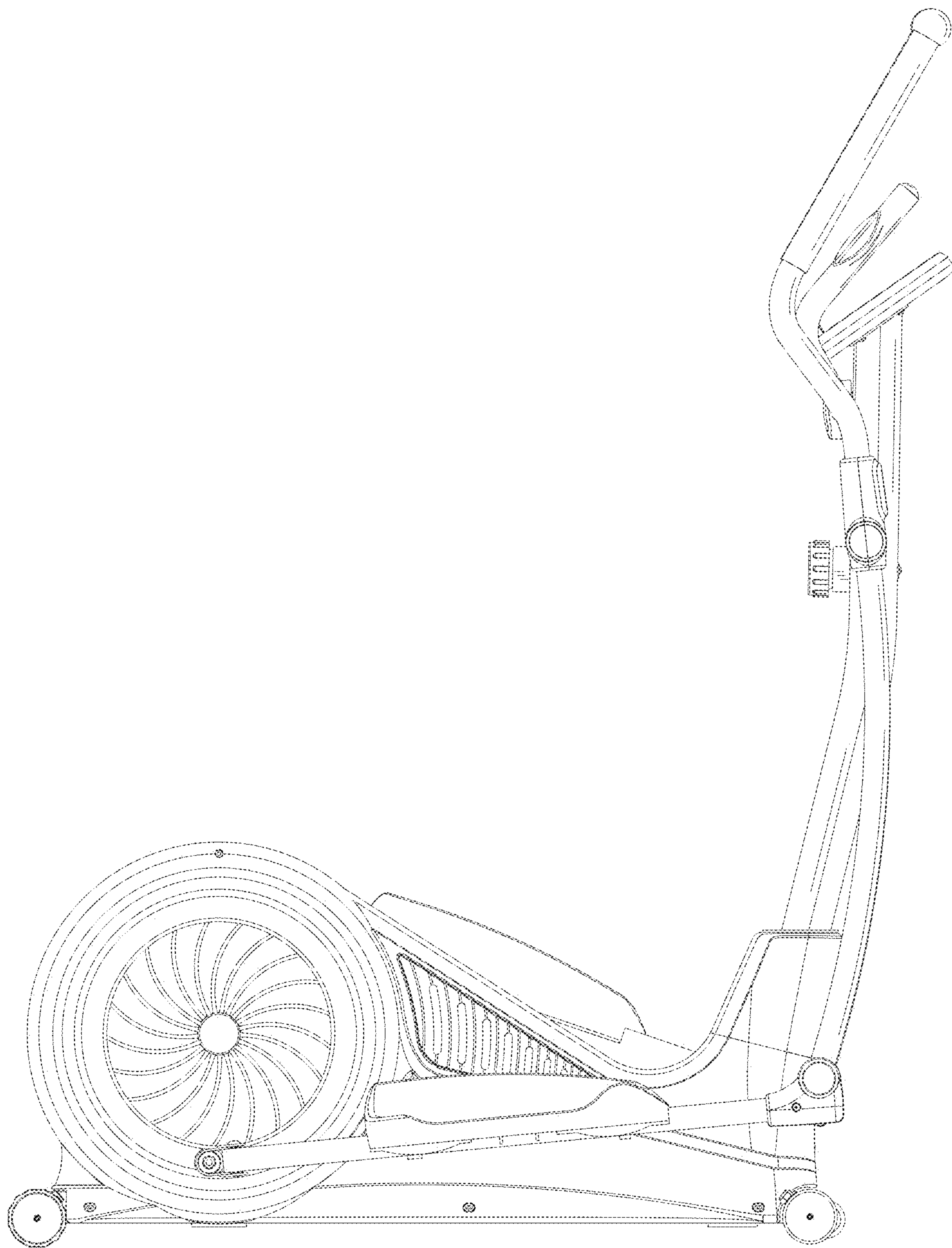


FIG. 2



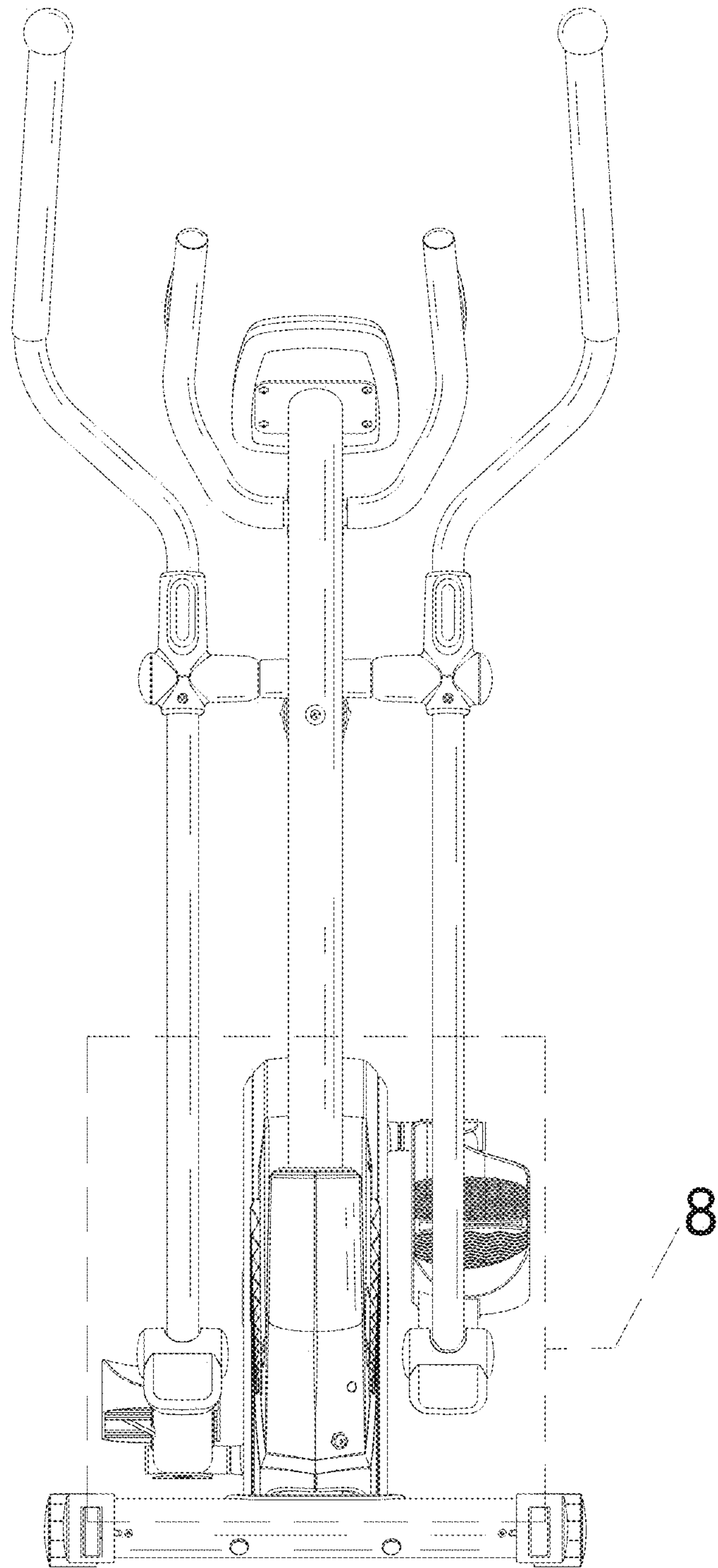


FIG. 3

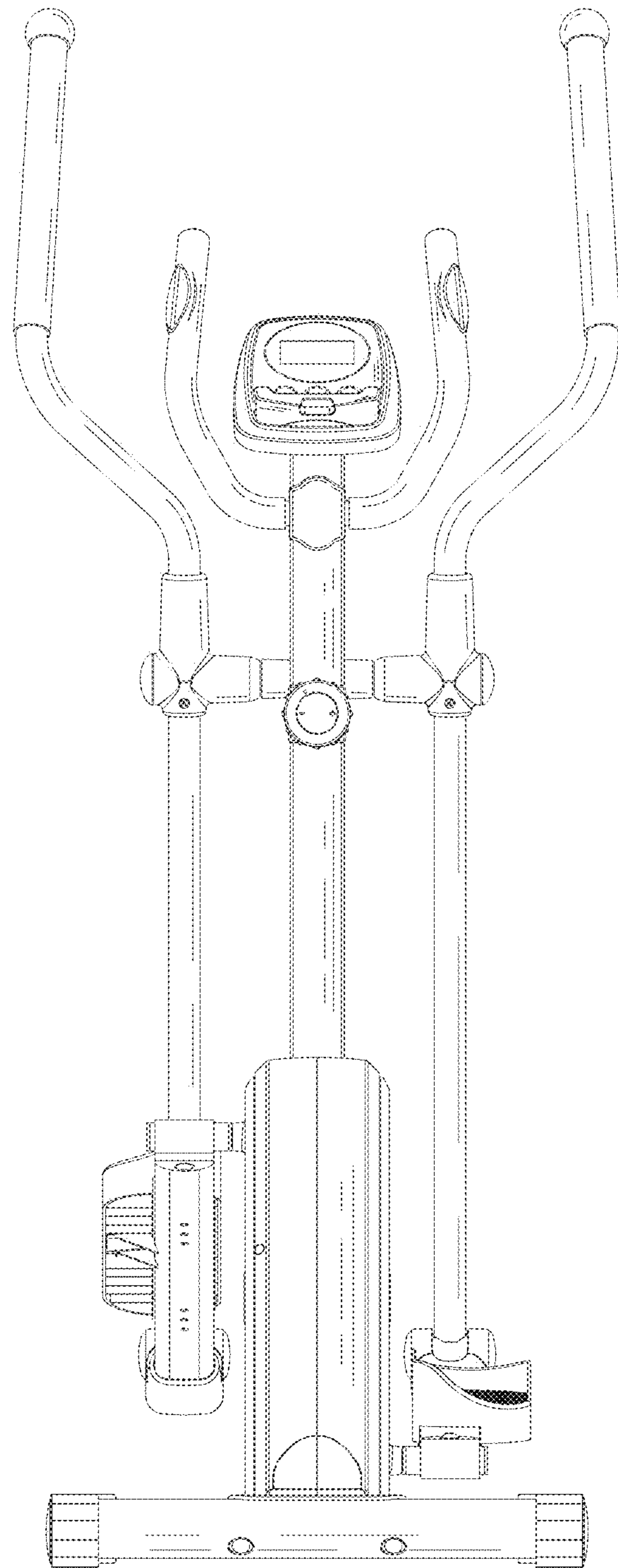


FIG. 4

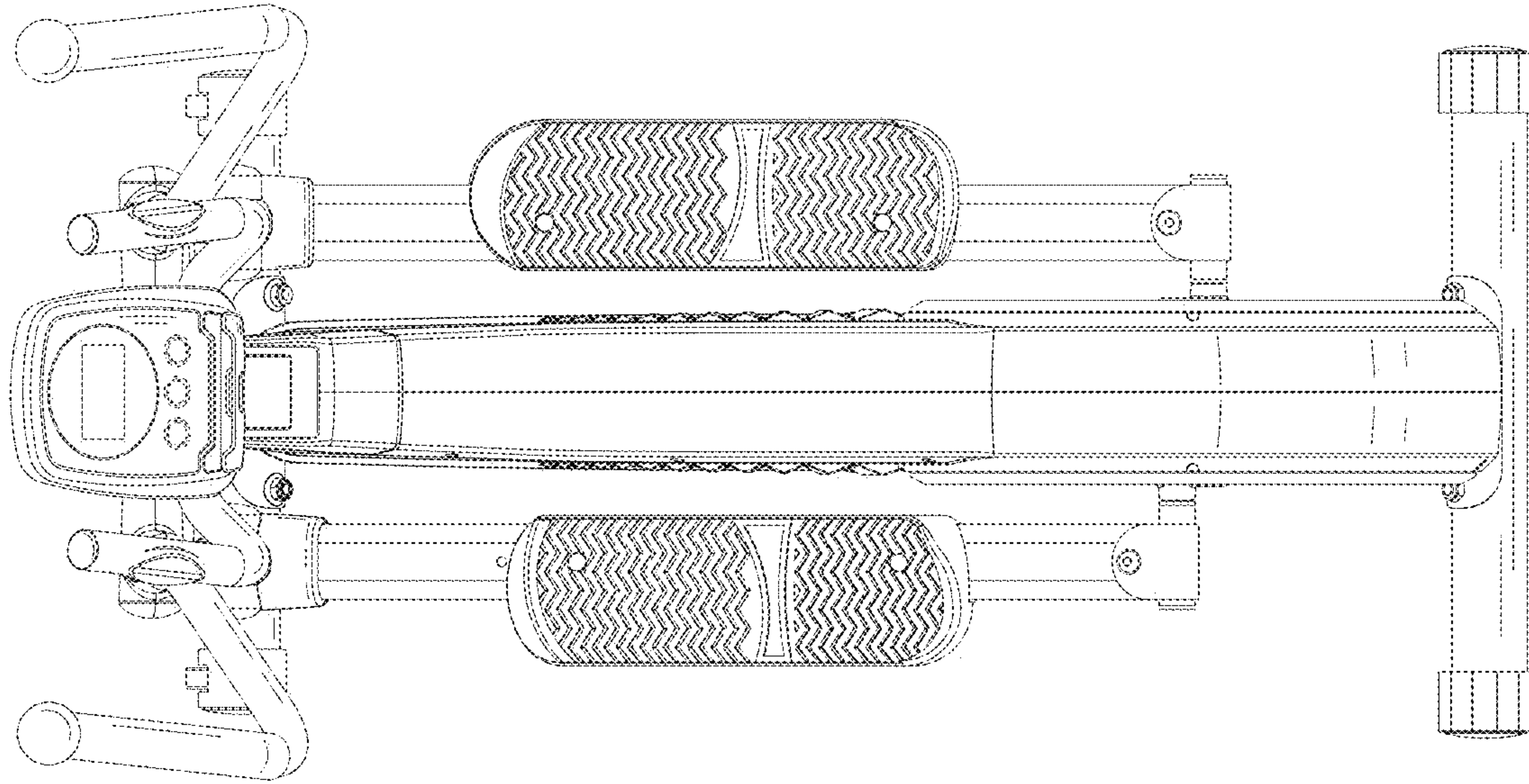


FIG. 5

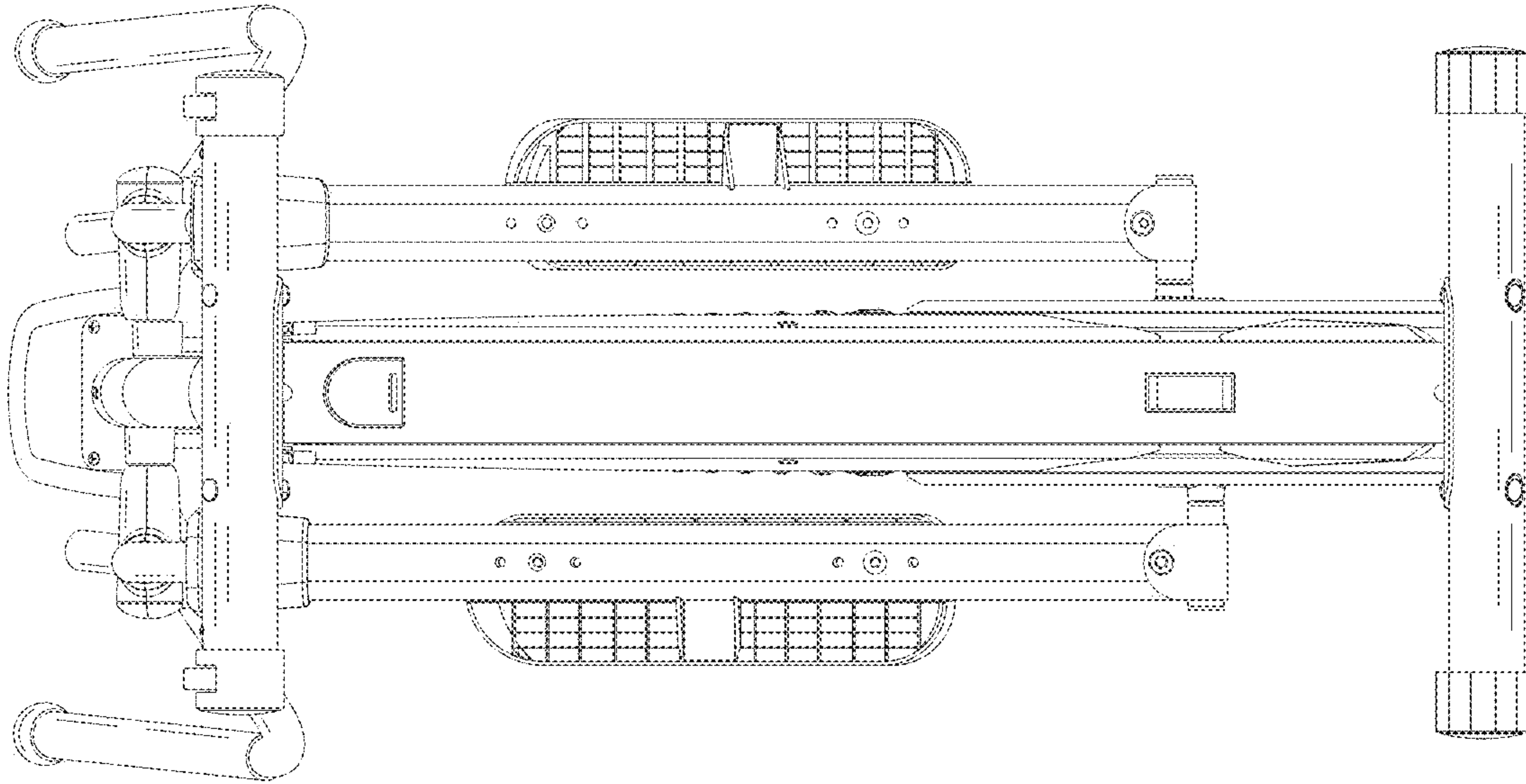


FIG. 6



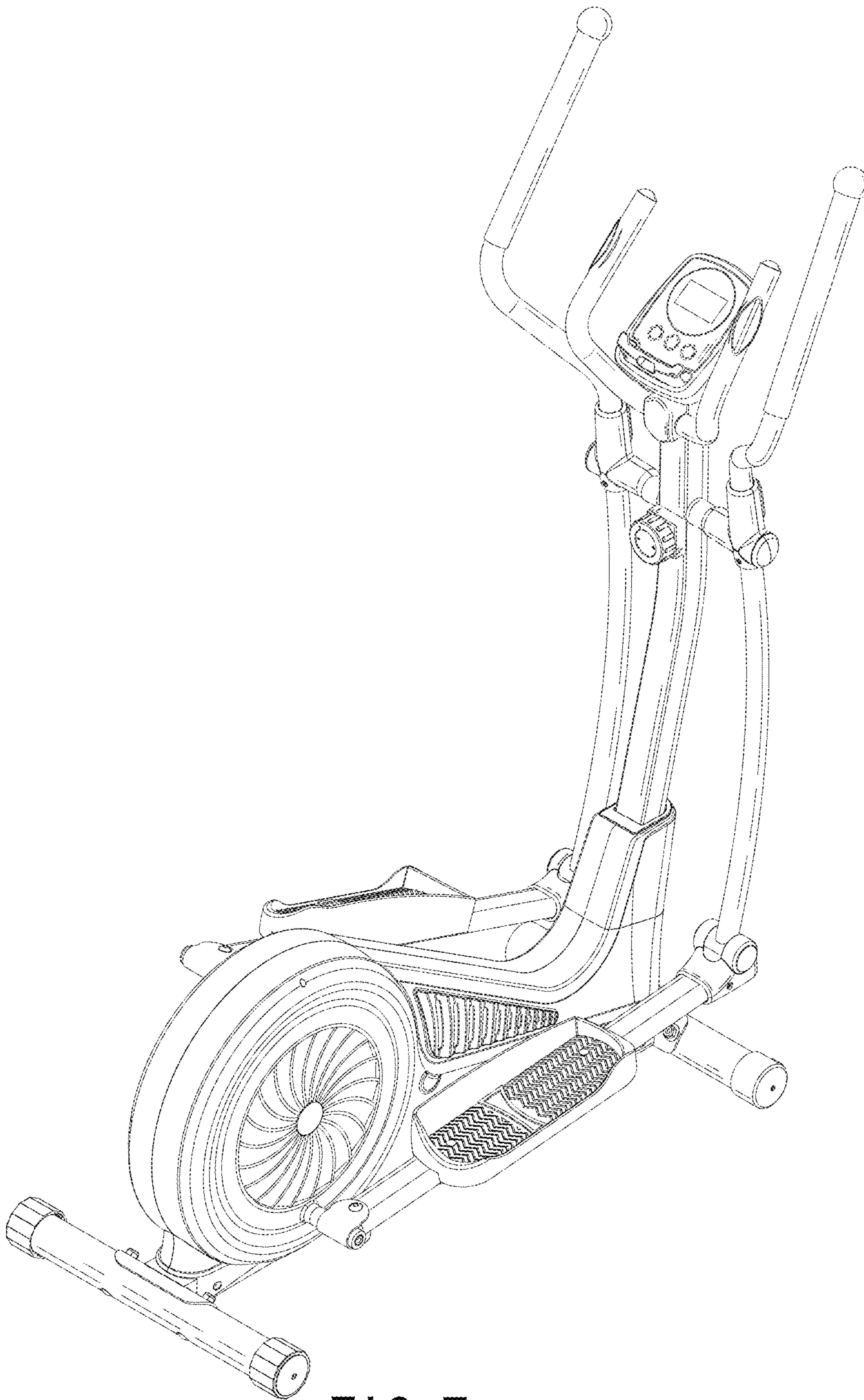


FIG. 7

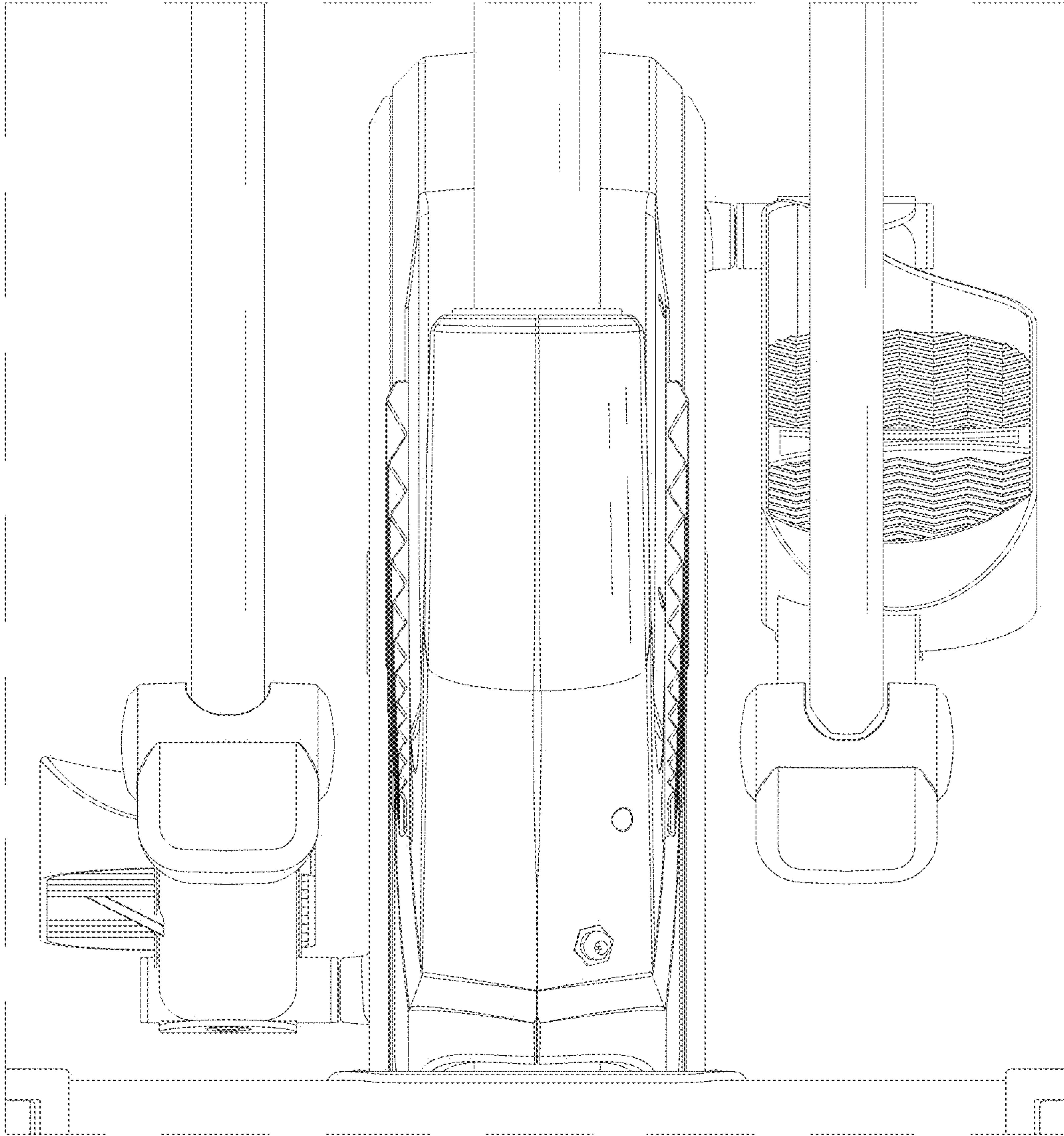


FIG. 8