



US00D978982S

(12) **United States Design Patent** (10) **Patent No.:** **US D978,982 S**
Barzilay (45) **Date of Patent:** **** *Feb. 21, 2023**

(54) **TOY FLOWER POT ASSEMBLY**

(71) Applicant: **Idan Barzilay**, Tel Aviv (IL)

(72) Inventor: **Idan Barzilay**, Tel Aviv (IL)

(*) Notice: This patent is subject to a terminal disclaimer.

(**) Term: **15 Years**

(21) Appl. No.: **29/817,283**

(22) Filed: **Nov. 30, 2021**

(51) **LOC (14) Cl.** **21-01**

(52) **U.S. Cl.**
USPC **D21/496; D21/483**

(58) **Field of Classification Search**
USPC D21/483, 496, 628; D11/117, 149, 150, D11/151

CPC A63H 5/00; A63H 33/00; A63H 33/30
See application file for complete search history.

(56) **References Cited**

U.S. PATENT DOCUMENTS

1,916,988	A *	7/1933	Pieschke	A63H 33/00
					40/407
3,634,678	A	1/1972	Glass et al.		
D317,332	S *	6/1991	Williams	D21/483
D371,401	S *	7/1996	Nielsen	D21/496
D394,468	S *	5/1998	Leadbetter	D21/496
D417,887	S *	12/1999	Coipel	D19/7
D665,153	S *	8/2012	Suiter	D2/873
D801,578	S *	10/2017	Keefer	D27/119
D857,114	S *	8/2019	Fontaine	D21/496

(Continued)

FOREIGN PATENT DOCUMENTS

CN	3549454	8/2006
CN	302191403	11/2012

(Continued)

OTHER PUBLICATIONS

TOYPIX FlowerPop Girl Toys—40 Pc Flower Building Toy Set, Reviewed and available online as early as Oct. 11, 2021 [online],

[site visited May 5, 2022]. Available from Internet: <URL: <https://www.amazon.com/dp/B0965VGBC7/>> (Year: 2021).*

“Axel Adventures Flower Garden Building Toy; Flower Building Toy Set, Build a Garden Stem TOY; Flower Garden Building Toys, Christmas Toy”, Axel Adventruues, 16 pages, available at least as of Nov. 15, 2021.

(Continued)

Primary Examiner — Cynthia M. Chin

(74) *Attorney, Agent, or Firm* — Cabilly & Co

(57) **CLAIM**

The ornamental design for a toy flower pot assembly, as shown and described.

DESCRIPTION

FIG. 1 is a perspective view of a toy flower pot assembly including a pot and a flower having a flower stem in a first position;

FIG. 2 is a front elevational view thereof;

FIG. 3 is a back elevational view thereof;

FIG. 4 is a left side elevational view thereof;

FIG. 5 is a right side elevational view thereof;

FIG. 6 is a top plan view thereof;

FIG. 7 is a bottom plan view thereof;

FIG. 8 is a perspective view of FIG. 1, the toy flower pot set assembly including the flower having the flower stem in a second position;

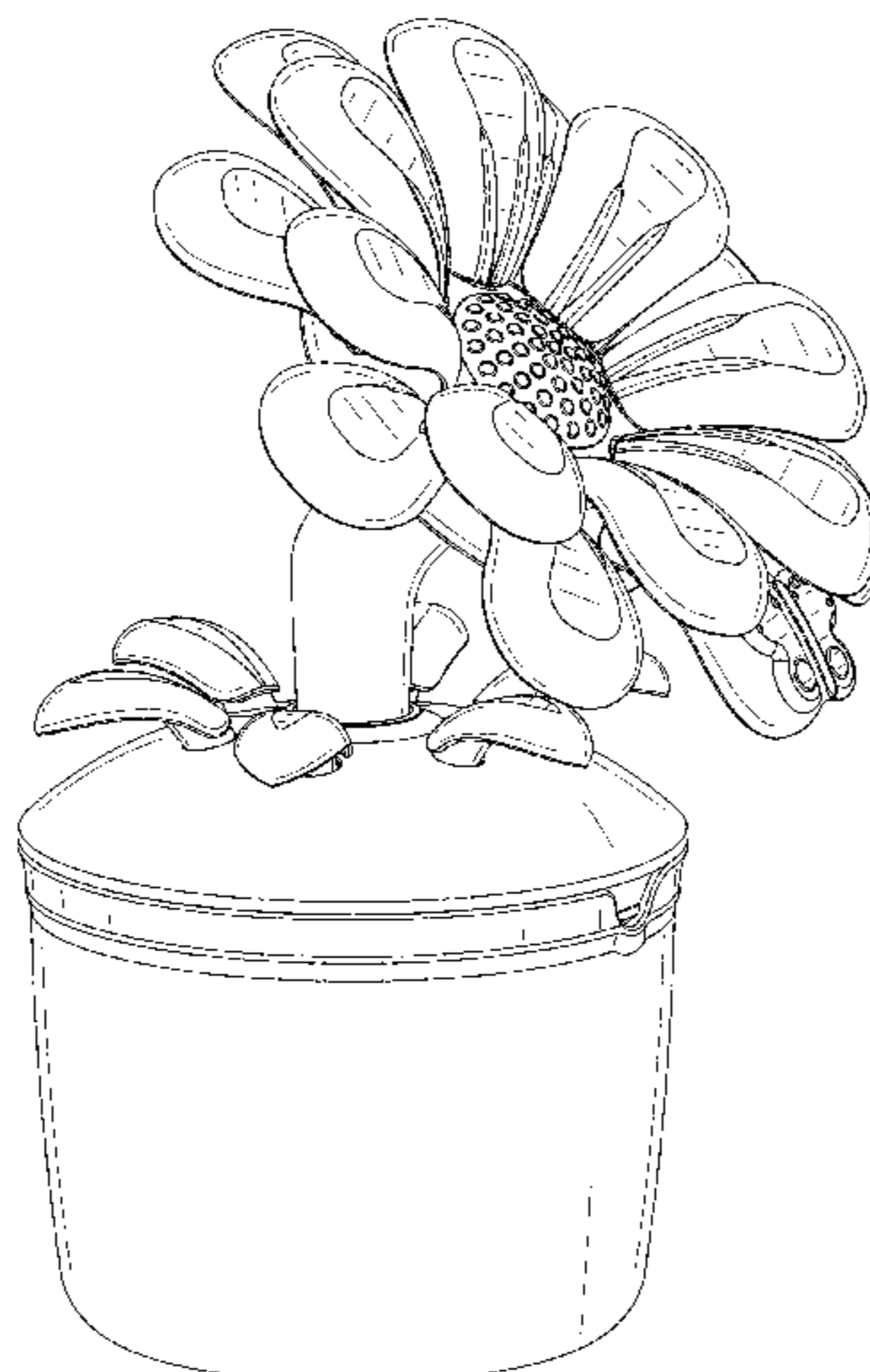
FIG. 9 is a perspective view of FIG. 1 showing the flower separately for clarity, the flower having a flower stem in a first position;

FIG. 10 is a perspective view of FIG. 1 showing the flower separately for clarity, the flower having the flower stem in a second position; and,

FIG. 11 is a perspective view of FIG. 1 showing the pot separately for clarity.

The broken lines shown in the drawings illustrate portions of the toy flower pot assembly and form no part of the claimed design.

1 Claim, 11 Drawing Sheets



(56)

References Cited

U.S. PATENT DOCUMENTS

2009/0277057 A1* 11/2009 Nagaoka A41G 1/005
40/411
2011/0275275 A1* 11/2011 Chang A63H 33/30
446/484
2018/0008902 A1* 1/2018 Fung A63H 13/00

FOREIGN PATENT DOCUMENTS

CN 303151833 4/2015
CN 304678916 6/2018
CN 306753935 8/2021
CN 306796377 8/2021
CN 306848337 9/2021
JP D1251132 S 9/2005
JP D1443271 S 6/2012
KR 20100026574 A 3/2010

OTHER PUBLICATIONS

“Bemiton Flower Building Toy Set for Girls, Best Birthday Gift for 3, 4, 5, 6 Craft Kit for Toddlers, Stem Activities and Gardening Pretend Playset, 148 pcs”, Toy Central, 10 pages, available at least as of Nov. 15, 2021.

“Flower Building Toy Garden Building Blocks Toy Set for Kids, 101 Pcs Education Toy Creative Playset for Age 4, 5, 6, 7 Year Old Gifts”, Amazon.com, 4 pages, available at least as of Nov. 15, 2021.

“Flower Garden Building Toys, Stem Build a Bouquet Floral Arrangement Playset for Toddlers Kids Age 3, 4, 5, 6 Year Old, 104 Pcs Garden Building Block Toys, Educational Creative Play Garden Stem Toys”, Amazon.com, 10 pages, available at least as of Nov. 15, 2021.

“Girls Toys Age 3-6 Year Old Toddler Toys for Girls Boys Gifts Flower Garden Building Toy Educational Activity Stem Toys(130 PCS)”, Amazon.com, 6 pages, available at least as of Nov. 15, 2021.

* cited by examiner



FIG.1

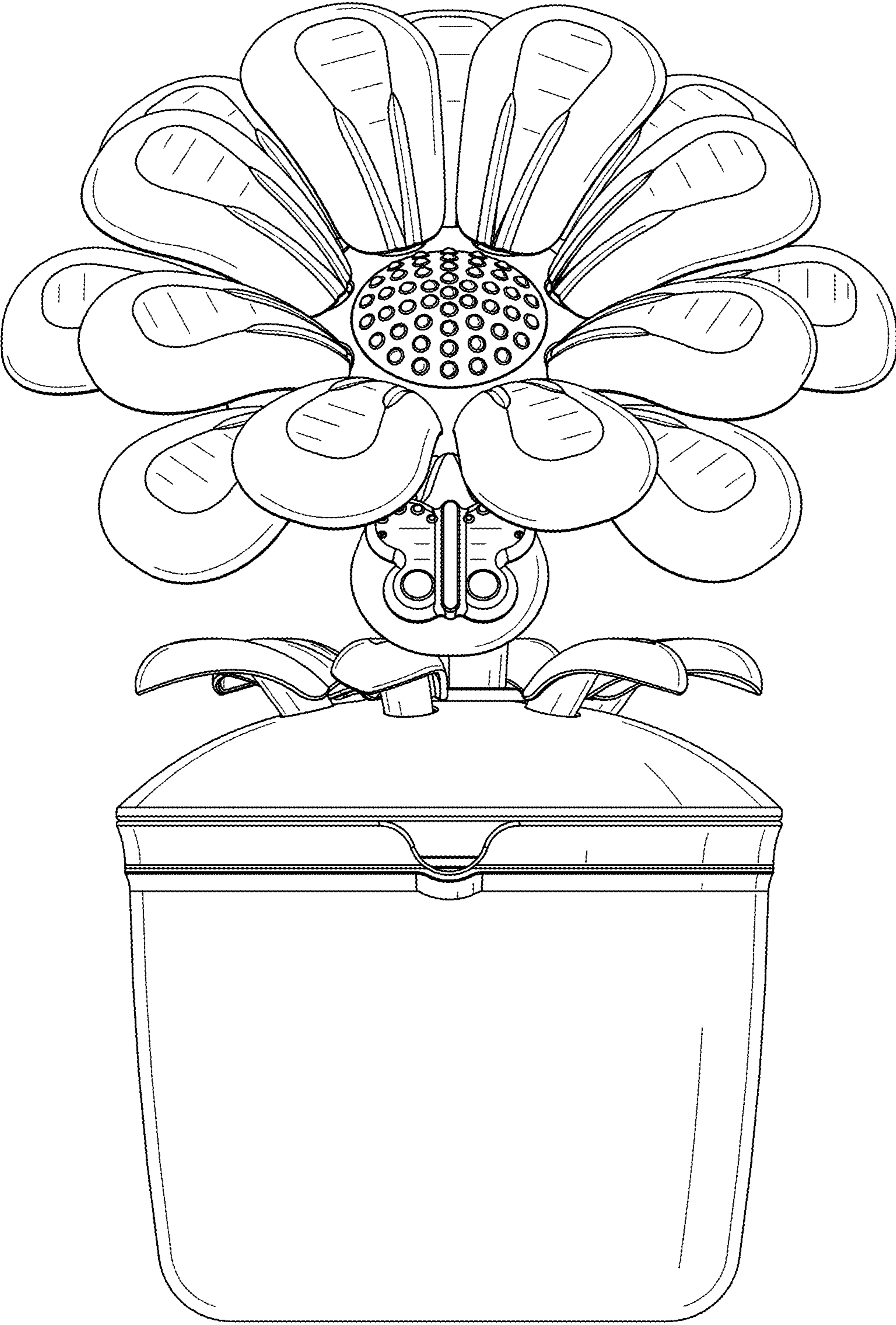


FIG.2

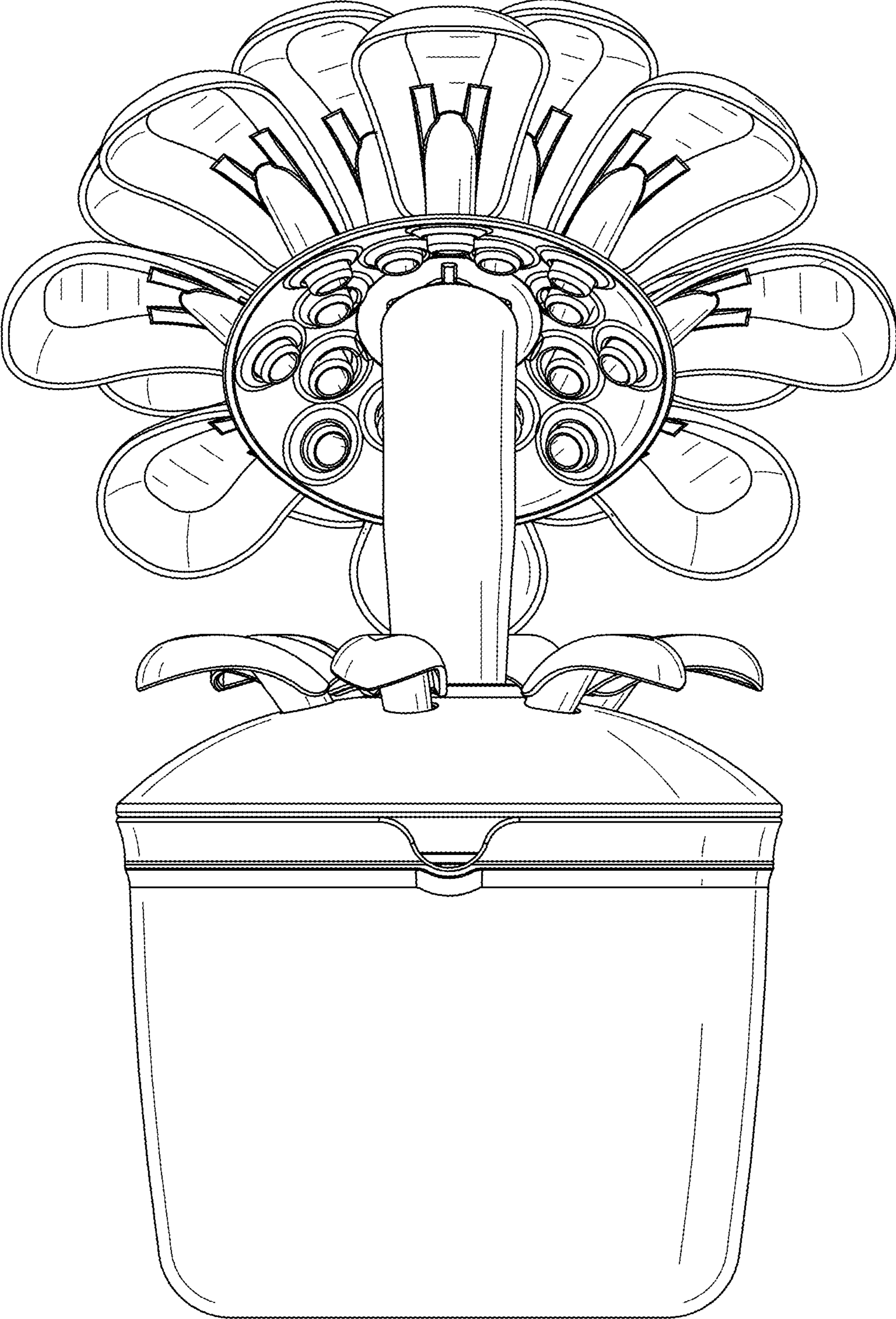


FIG. 3

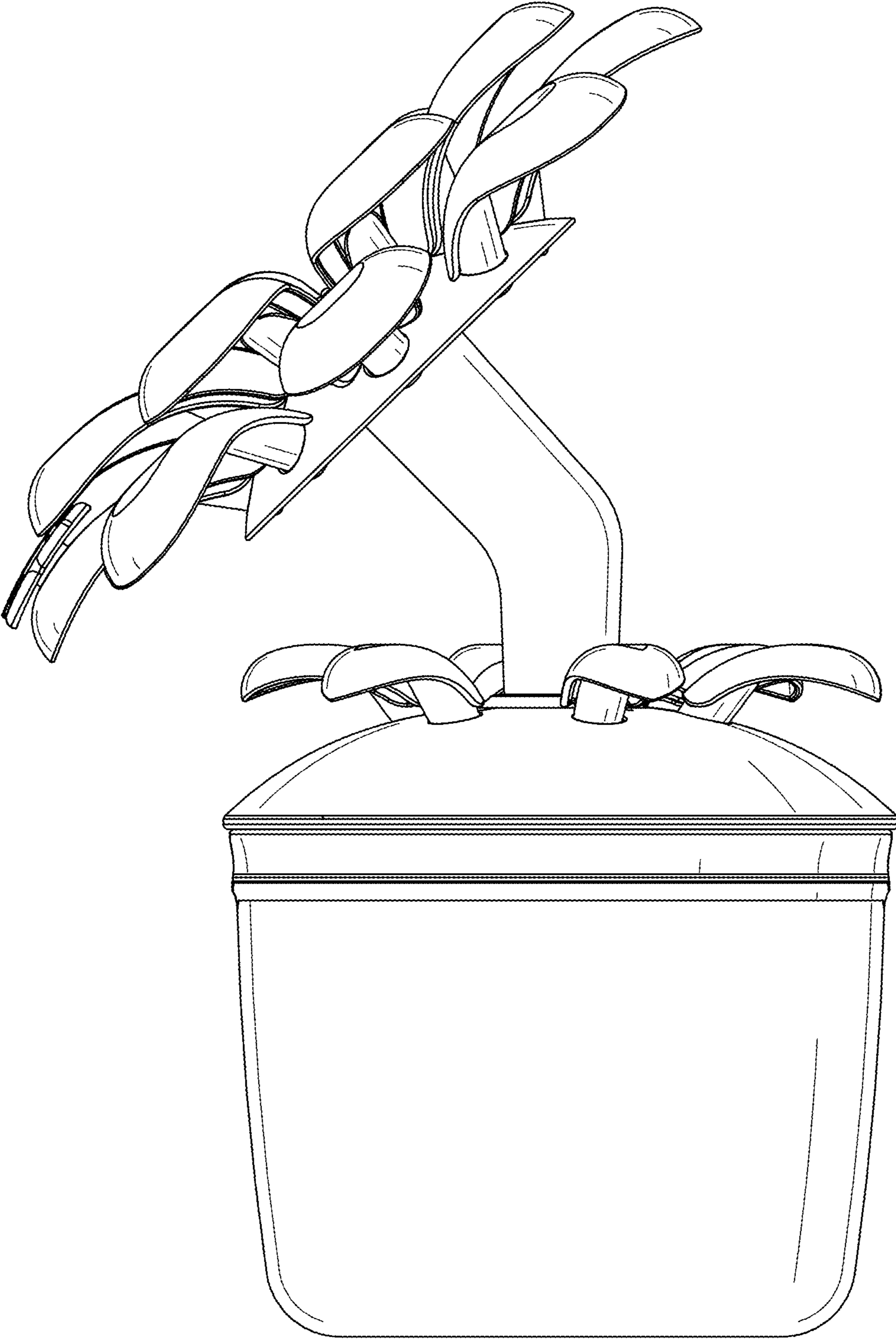


FIG.4

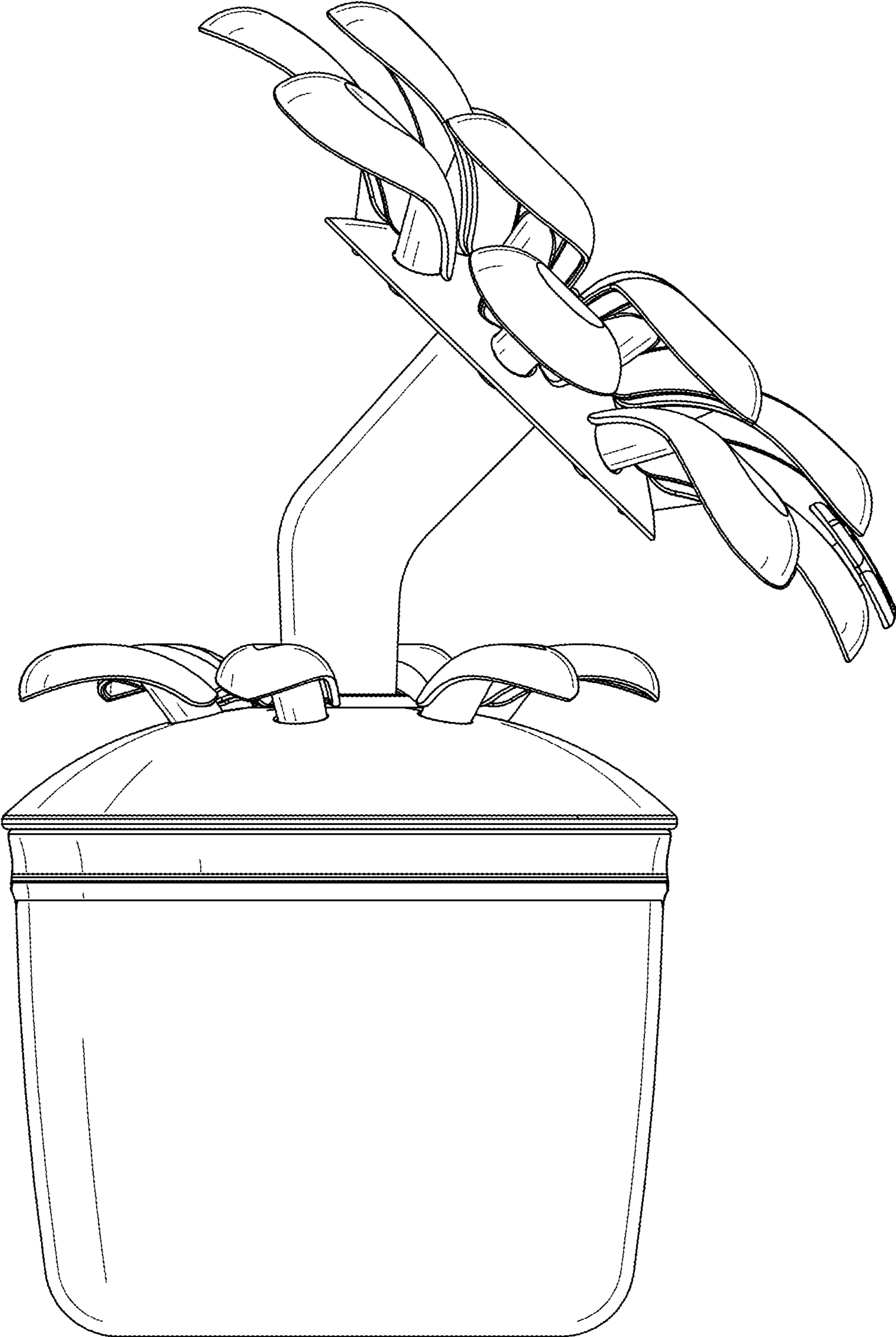


FIG.5

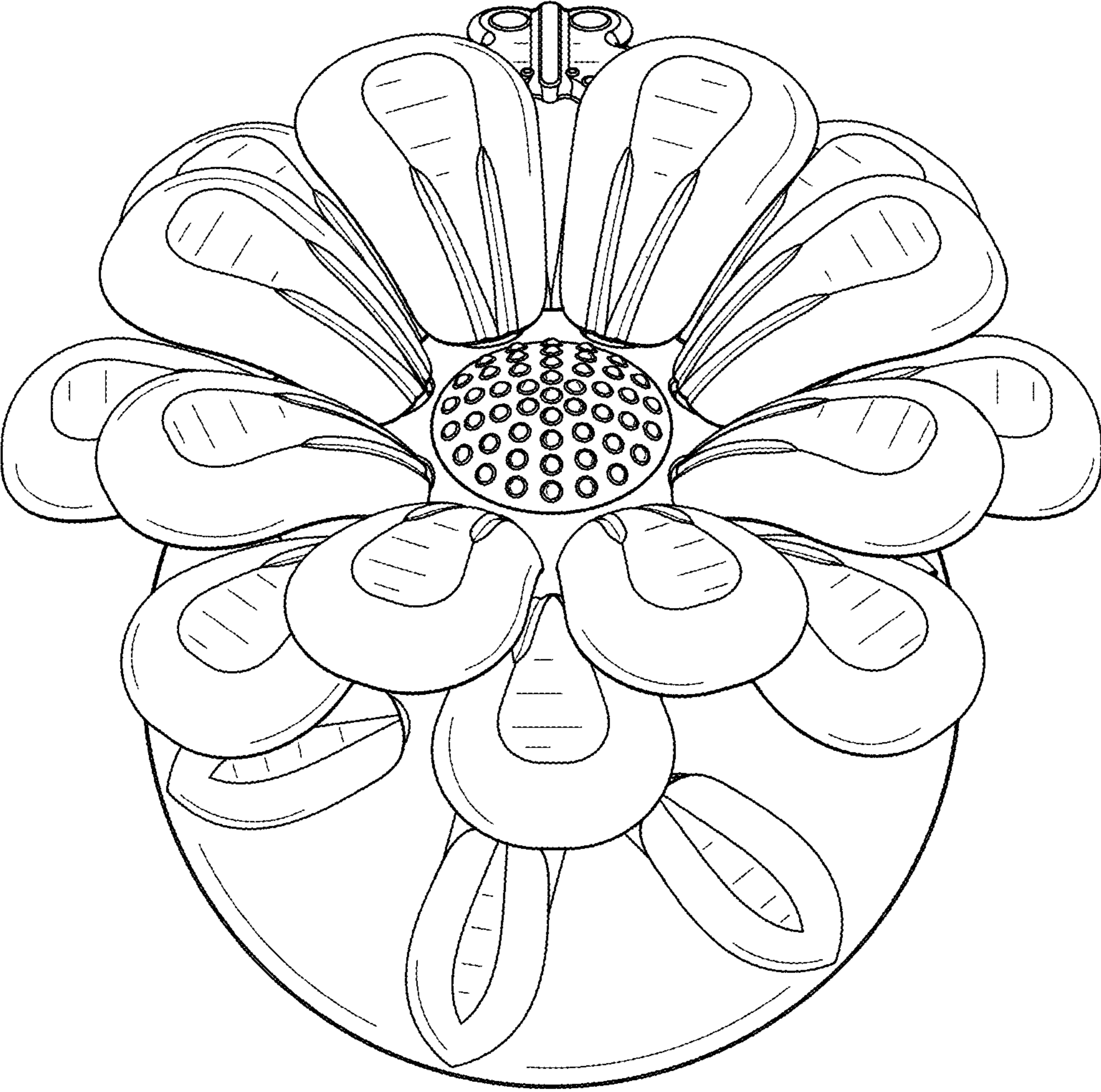


FIG.6

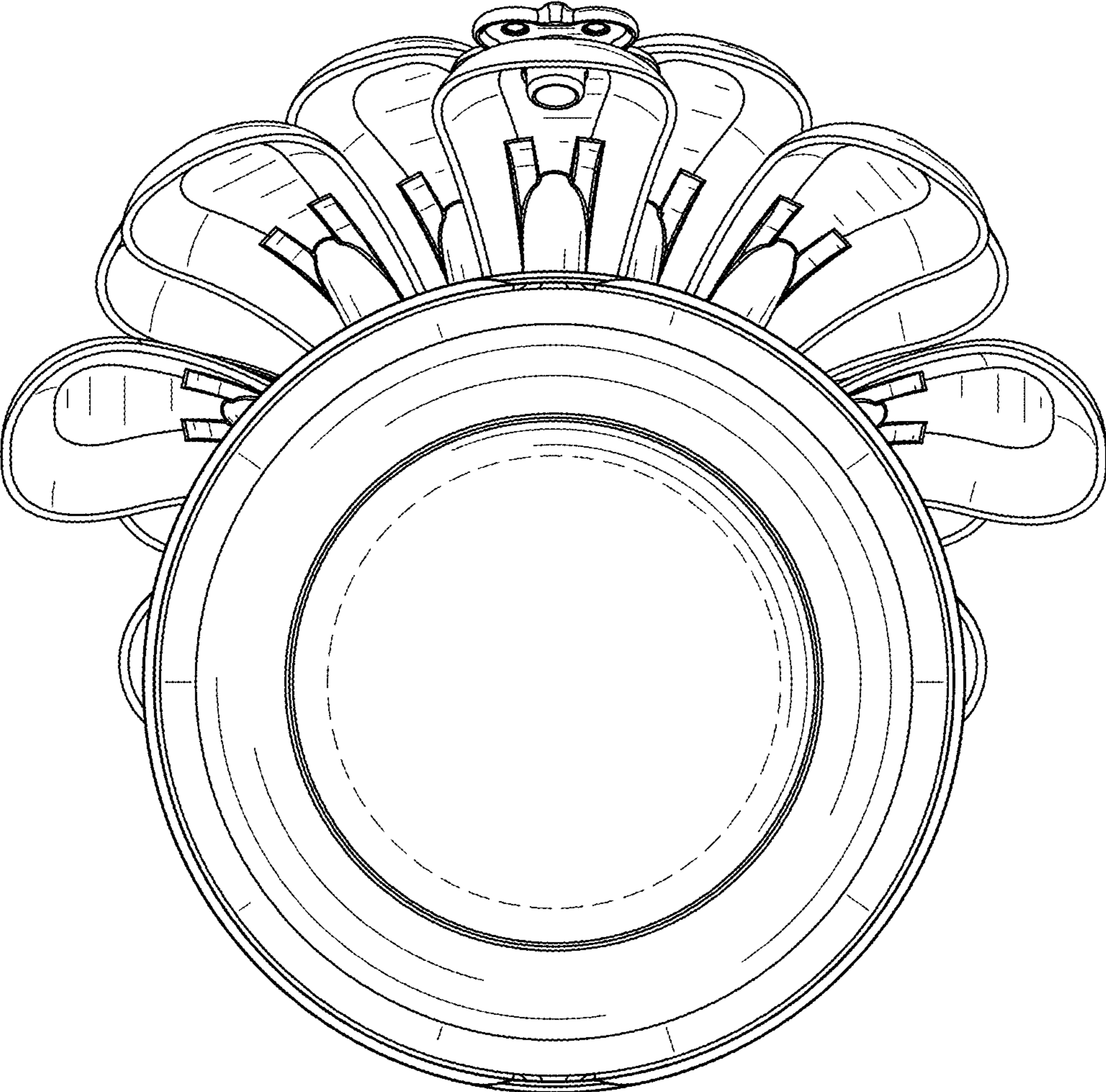


FIG. 7

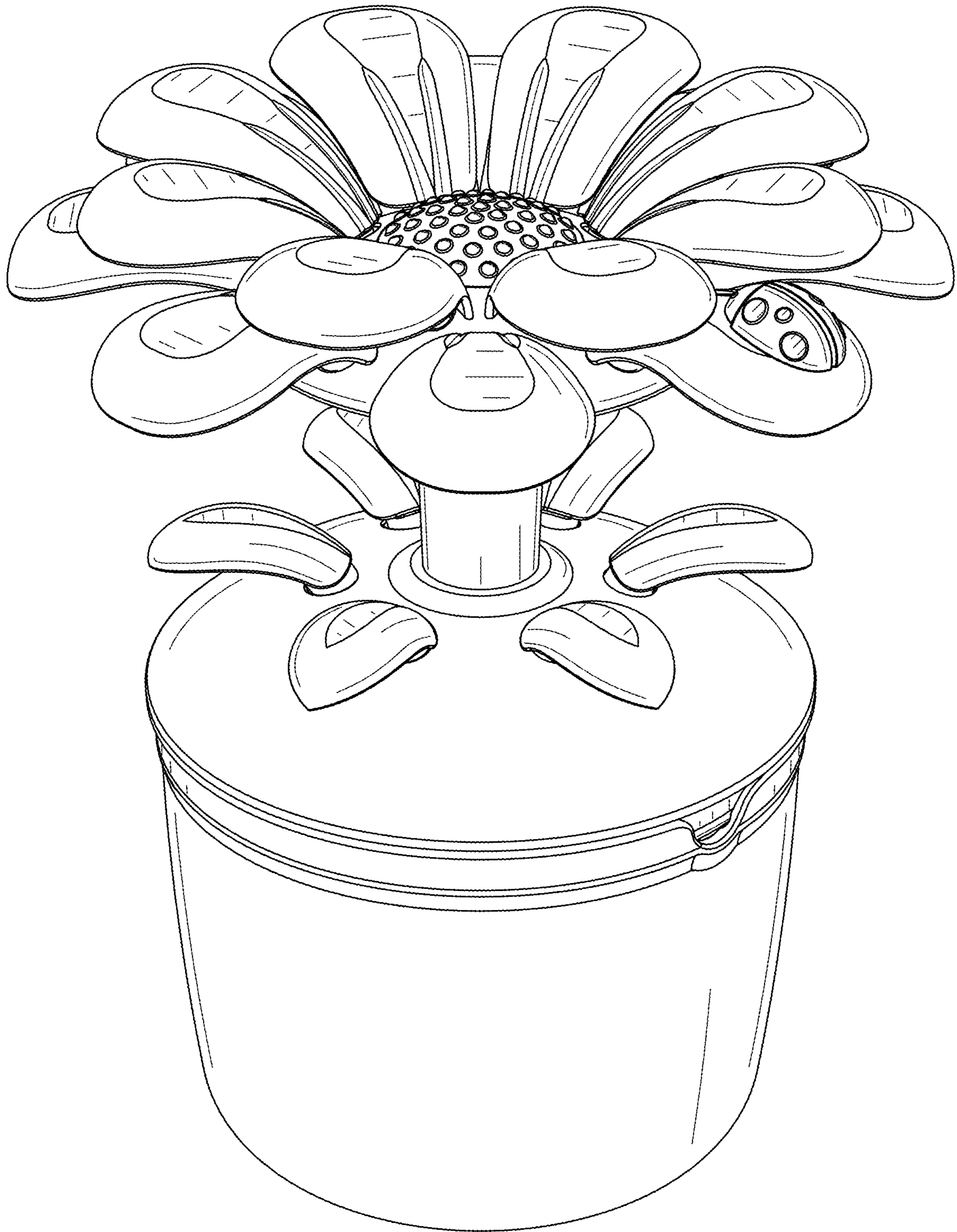


FIG. 8

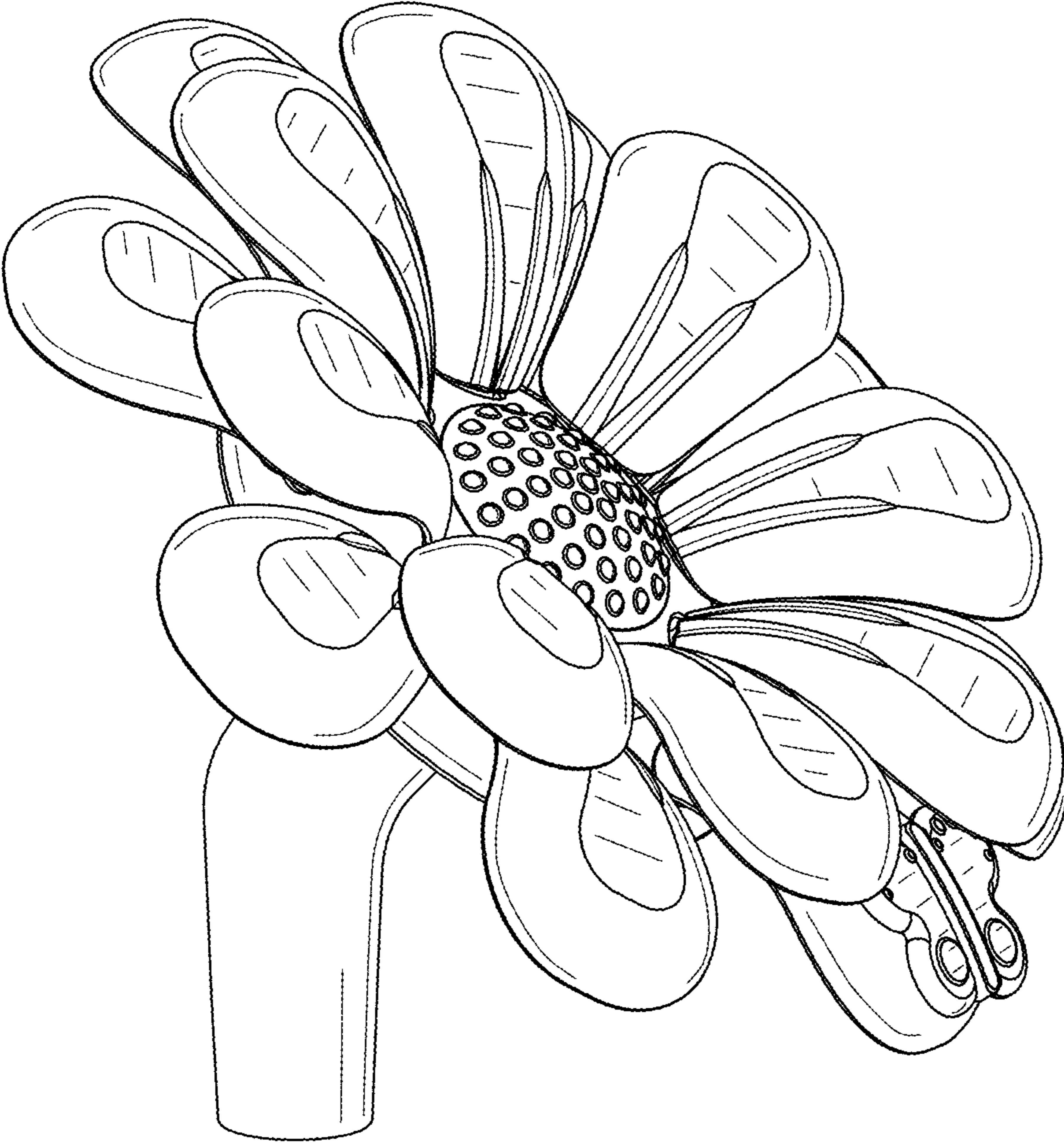


FIG. 9

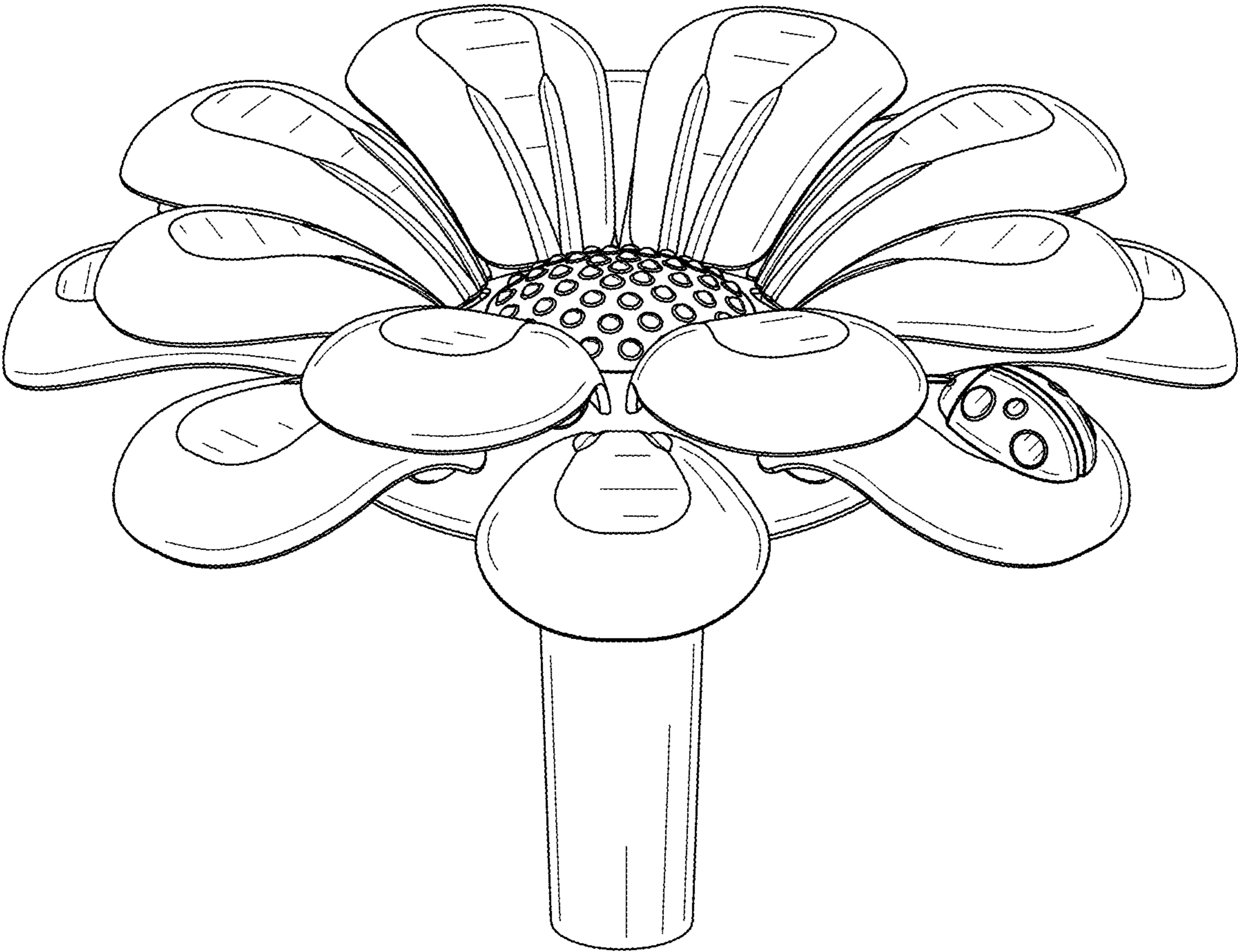


FIG. 10

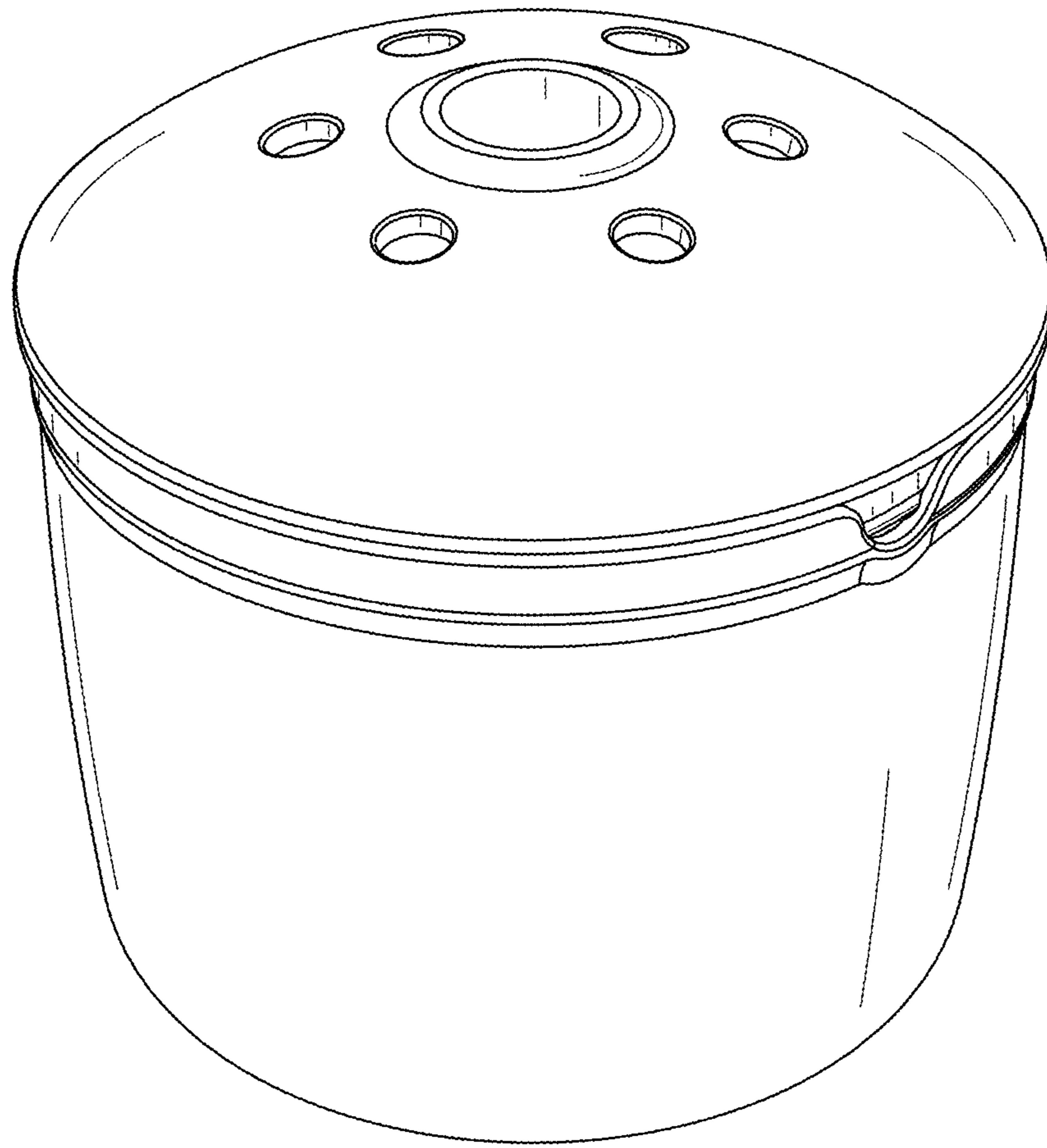


FIG. 11