



US00D978974S

(12) **United States Design Patent**
Cai

(10) **Patent No.:** **US D978,974 S**
(45) **Date of Patent:** **** Feb. 21, 2023**

(54) **BUBBLE MACHINE**

(71) Applicant: **Linhui Cai**, Shantou (CN)

(72) Inventor: **Linhui Cai**, Shantou (CN)

(**) Term: **15 Years**

(21) Appl. No.: **29/790,277**

(22) Filed: **Nov. 16, 2021**

(51) **LOC (14) Cl.** **21-01**

(52) **U.S. Cl.**
USPC **D21/401**

(58) **Field of Classification Search**
USPC D21/398, 401, 402, 405, 455, 468, 483,
D21/513, 514, 516, 523, 525, 526, 528,
D21/532; D23/308, 332, 337, 370, 376,
D23/379, 382, 383; 446/15, 16, 20, 484,
446/487, 491
CPC A63H 33/28; A63H 29/22
See application file for complete search history.

(56) **References Cited**

U.S. PATENT DOCUMENTS

D627,403 S *	11/2010	Lo	D21/592
D642,629 S *	8/2011	Lo	D21/401
D643,477 S *	8/2011	Lo	D21/447
D863,453 S *	10/2019	Xu	D21/604
D869,562 S *	12/2019	Xu	D21/578
D893,634 S *	8/2020	Zhang	D21/401
D894,288 S	8/2020	Shapiro et al.		
D916,981 S *	4/2021	Yang	D21/401
D950,651 S *	5/2022	Chen	D21/401

D950,652 S *	5/2022	Chen	D21/401
2006/0052027 A1 *	3/2006	Thai	A63H 33/28 446/15
2020/0139262 A1 *	5/2020	Yang	A63H 33/28

OTHER PUBLICATIONS

“Bubble Gun” Posted Apr. 28, 2022[Online],[retrieved Jun. 26, 2022]. Retrieved from Internet: https://www.amazon.com/69-Hole-Outdoor-Activity-Electric-Automatic/dp/B09TS744YK/ref=cm_cr_ar_p_d_product_top?ie=UTF8.*

* cited by examiner

Primary Examiner — Mehri F Bajoul
(74) *Attorney, Agent, or Firm* — Rumit Ranjit Kanakia

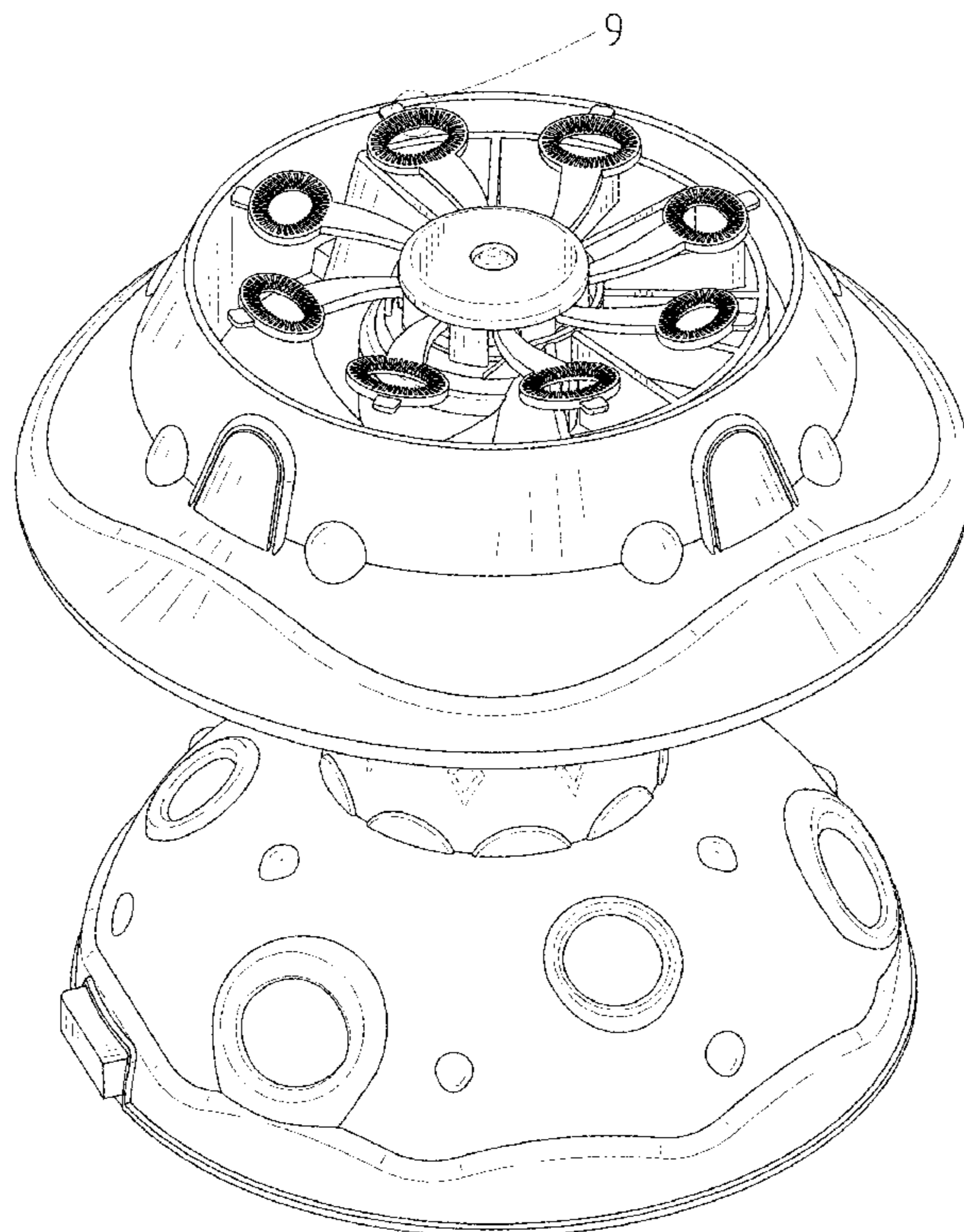
(57) **CLAIM**

The ornamental design for a bubble machine, as shown and described.

DESCRIPTION

FIG. 1 is a top perspective view of a bubble machine showing my new design;
FIG. 2 is a bottom perspective view thereof;
FIG. 3 is a front view thereof;
FIG. 4 is a back view thereof;
FIG. 5 is a left side view thereof;
FIG. 6 is a right side view thereof;
FIG. 7 is a top plan view thereof;
FIG. 8 is a bottom perspective view thereof; and,
FIG. 9 is an enlarged view of the selected portion in FIG. 1. The broken lines shown in the drawings depict portions of the bubble machine in which the design is embodied that form no part of the claimed design.

1 Claim, 9 Drawing Sheets



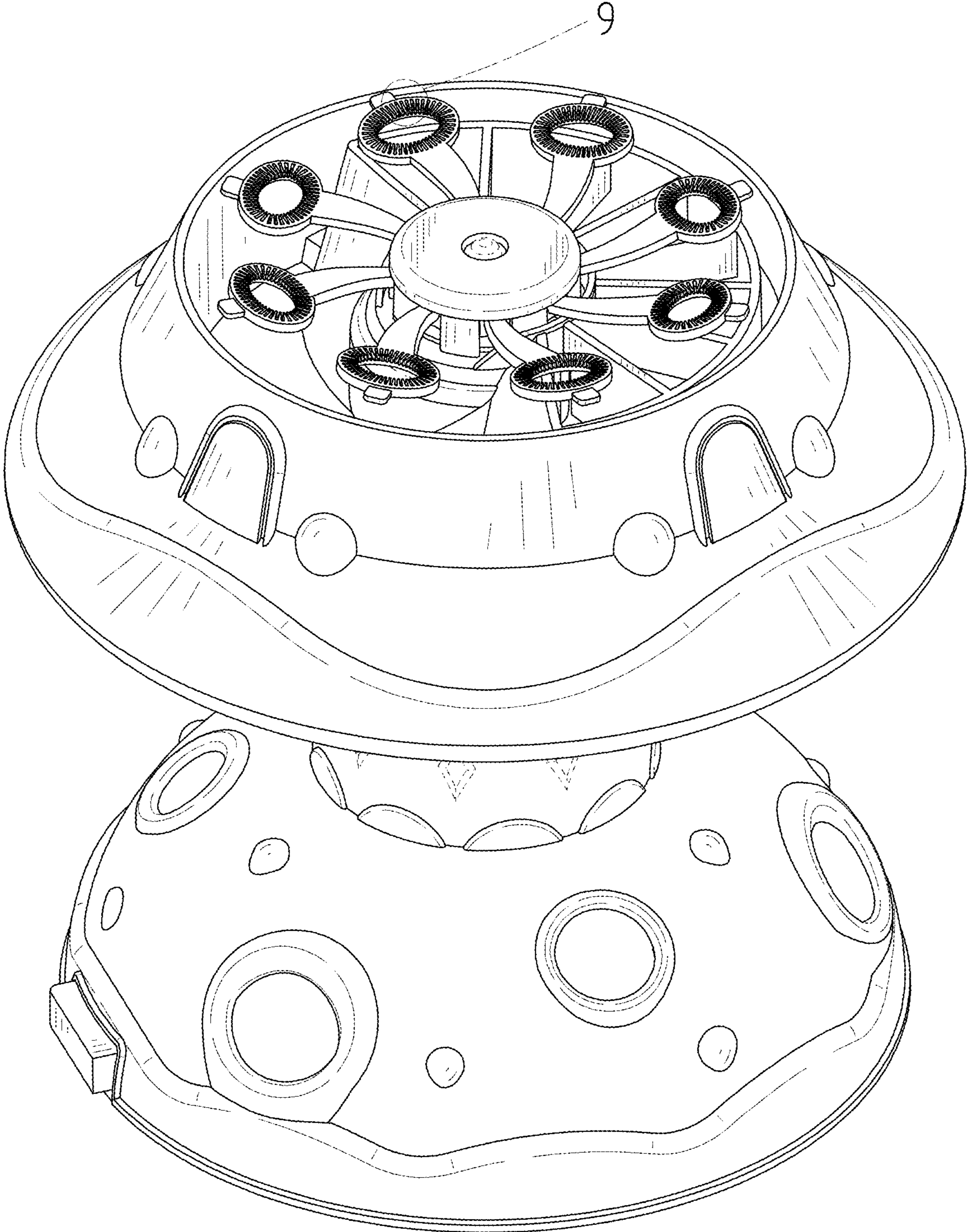


FIG. 1

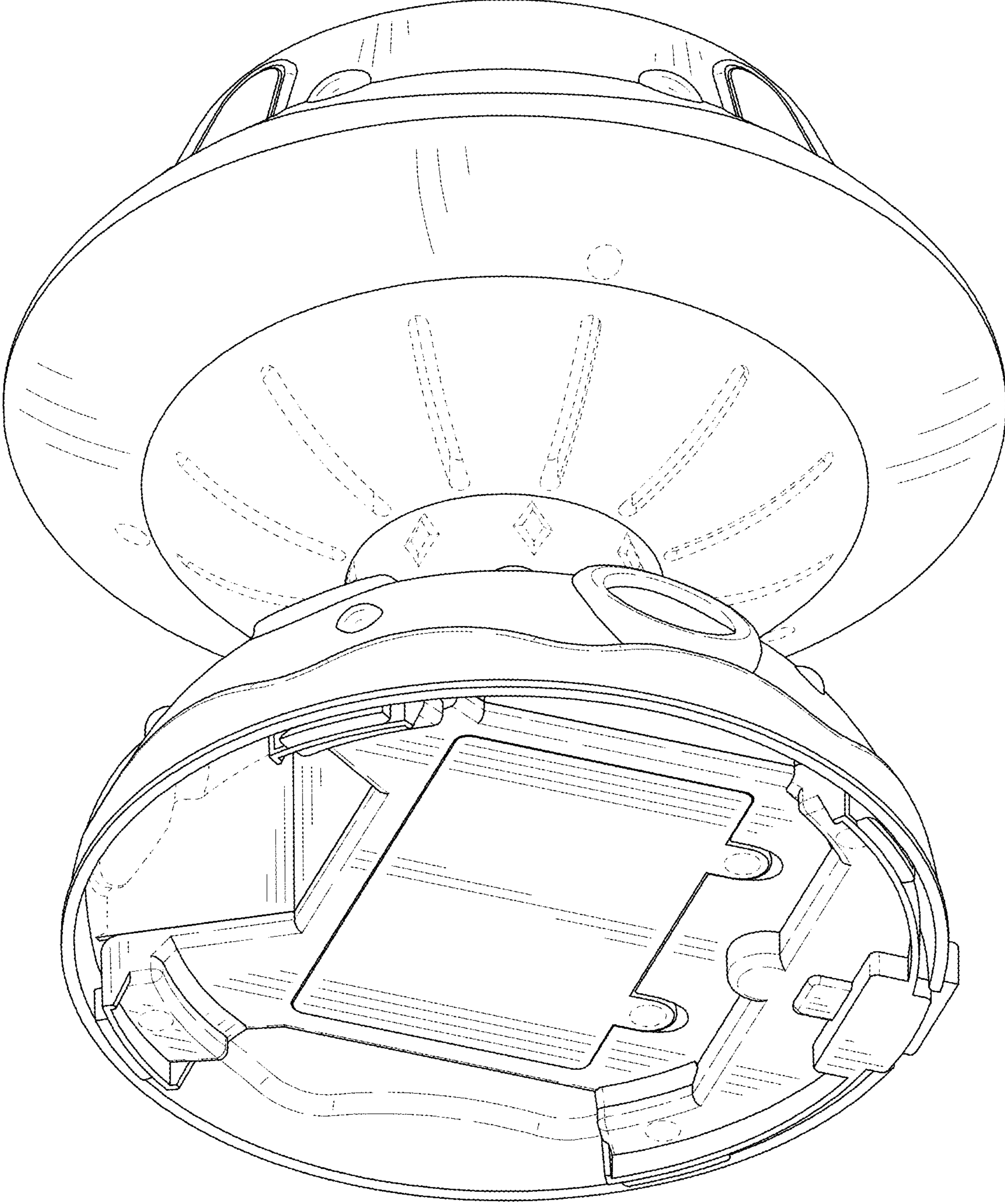


FIG. 2

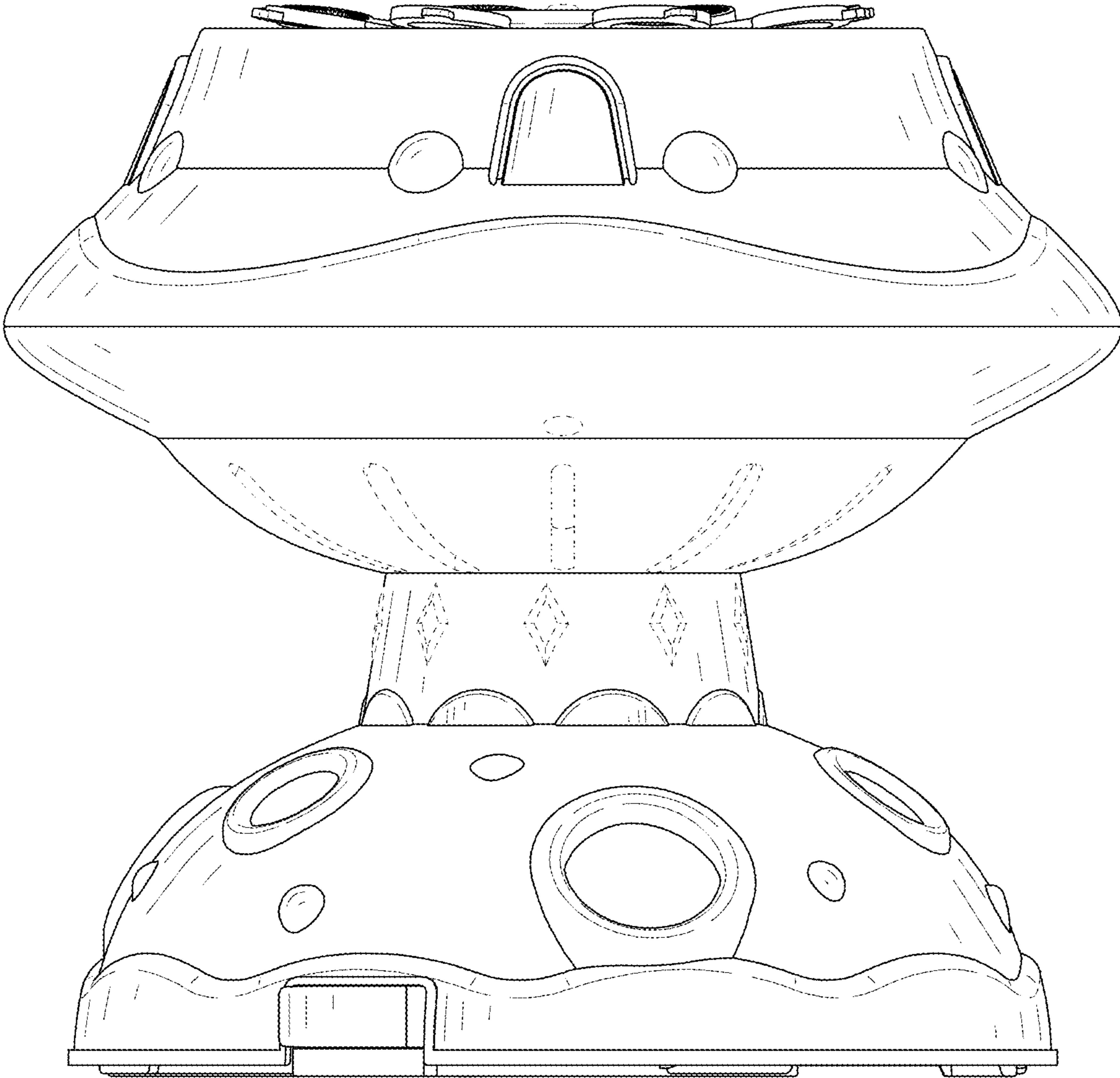


FIG. 3

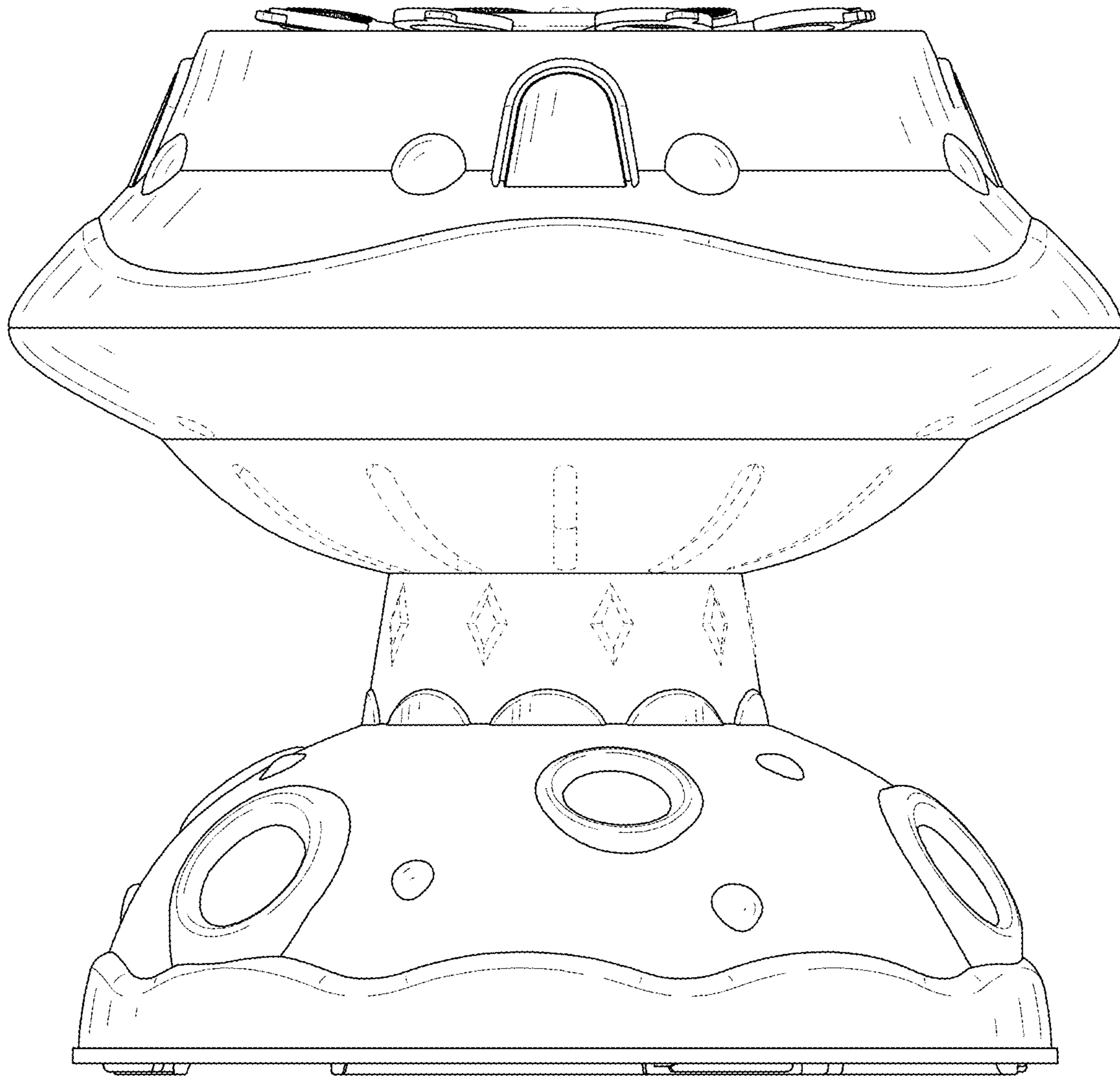


FIG. 4

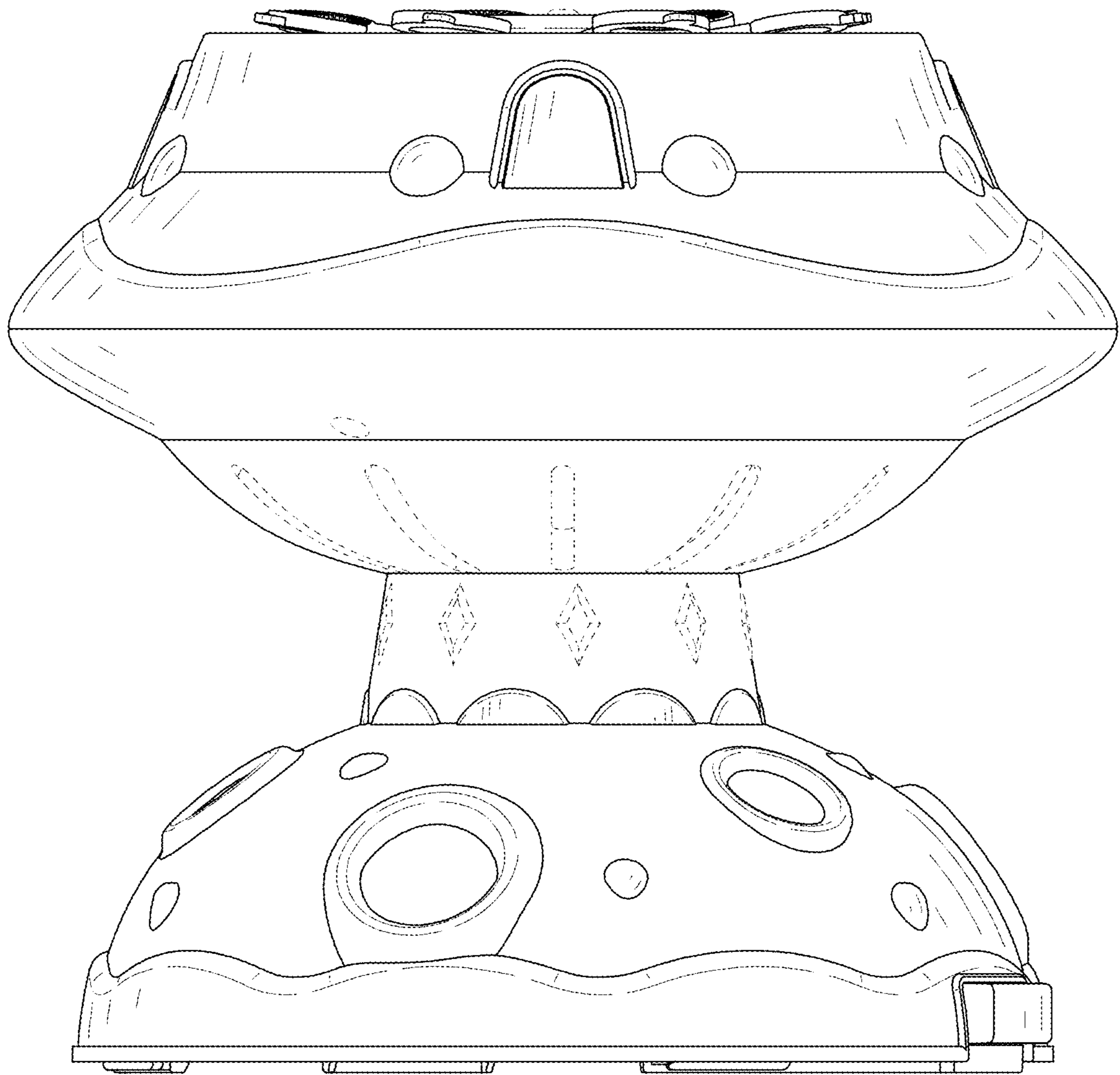


FIG. 5

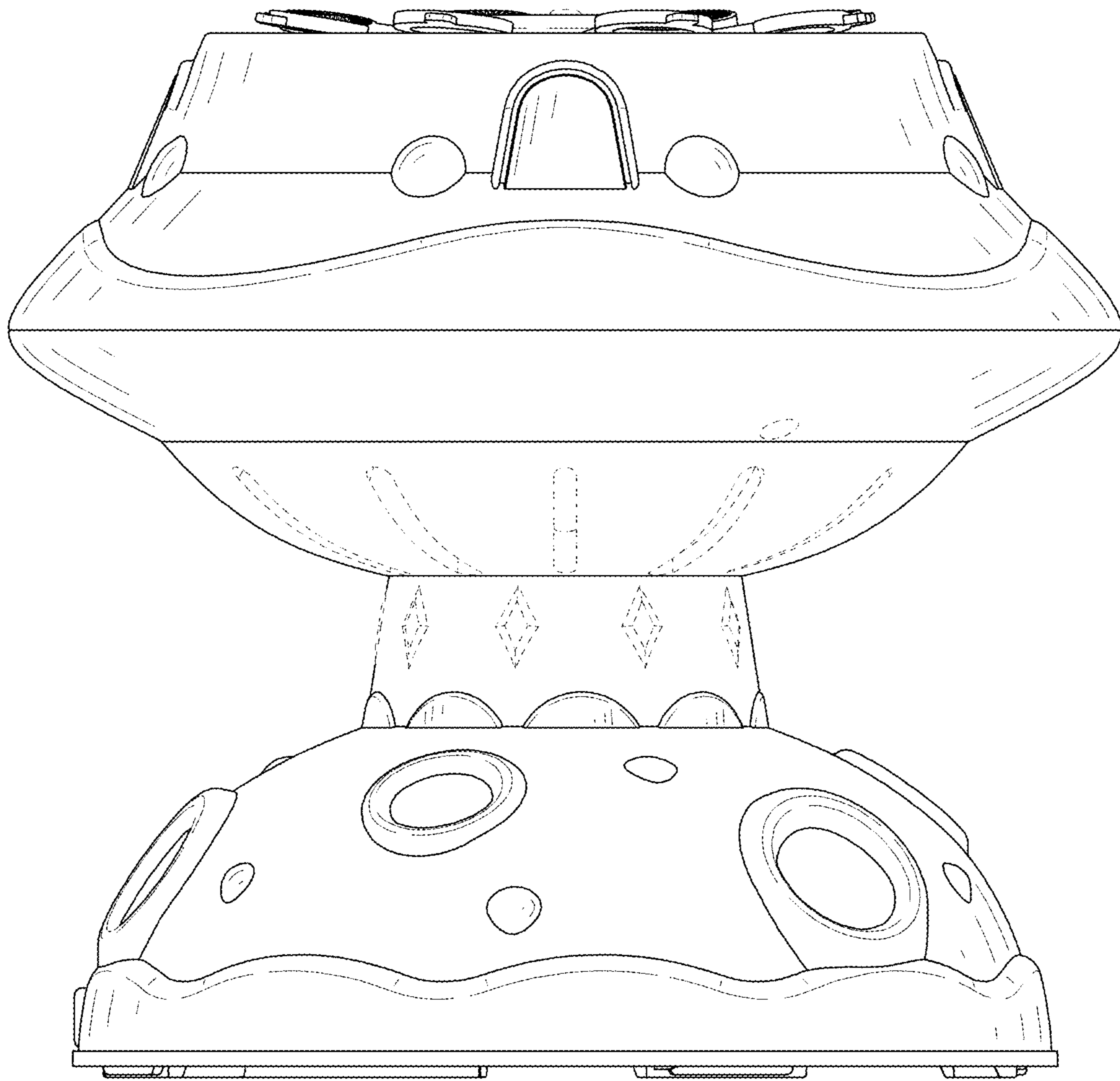


FIG. 6

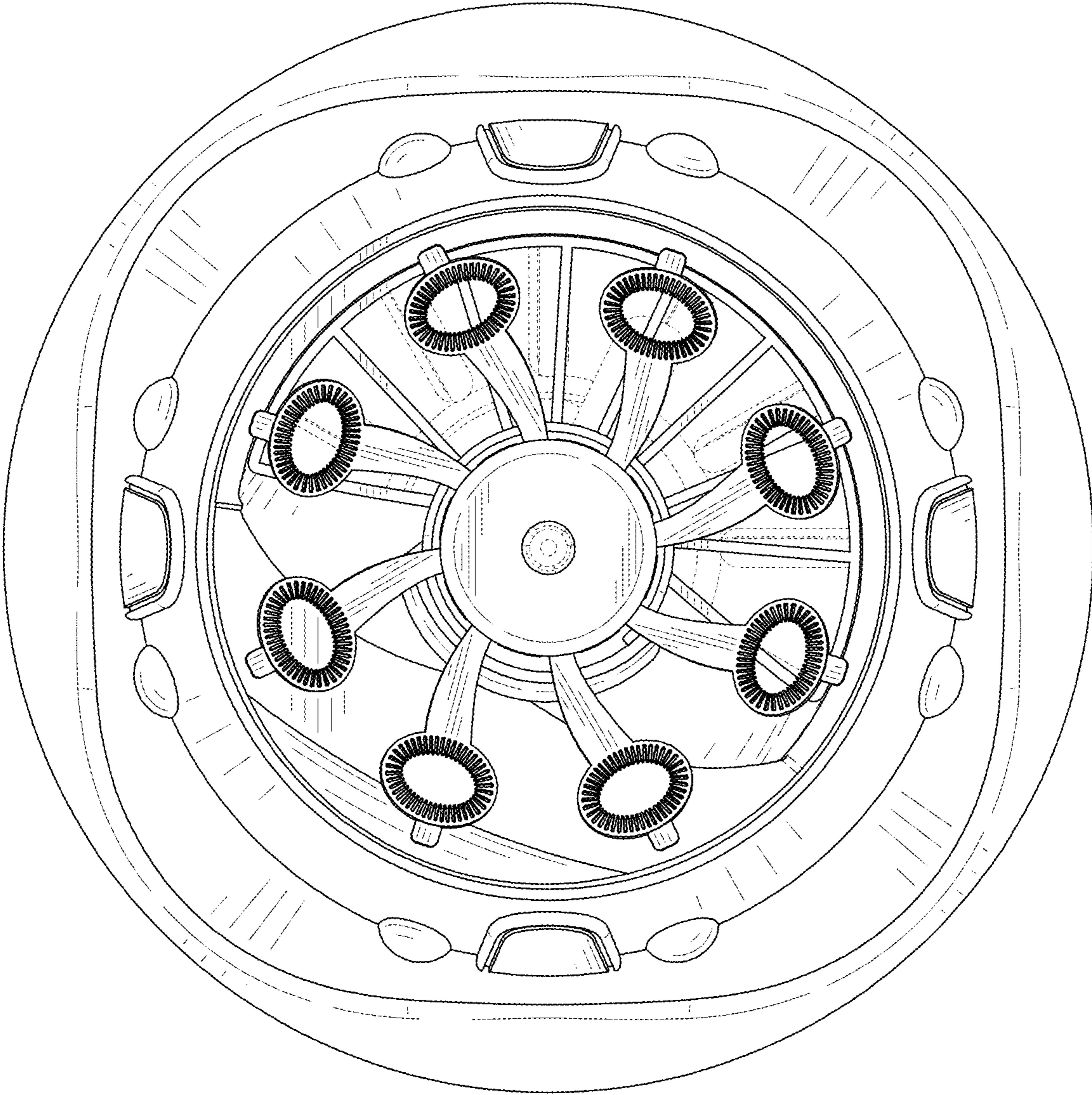


FIG. 7

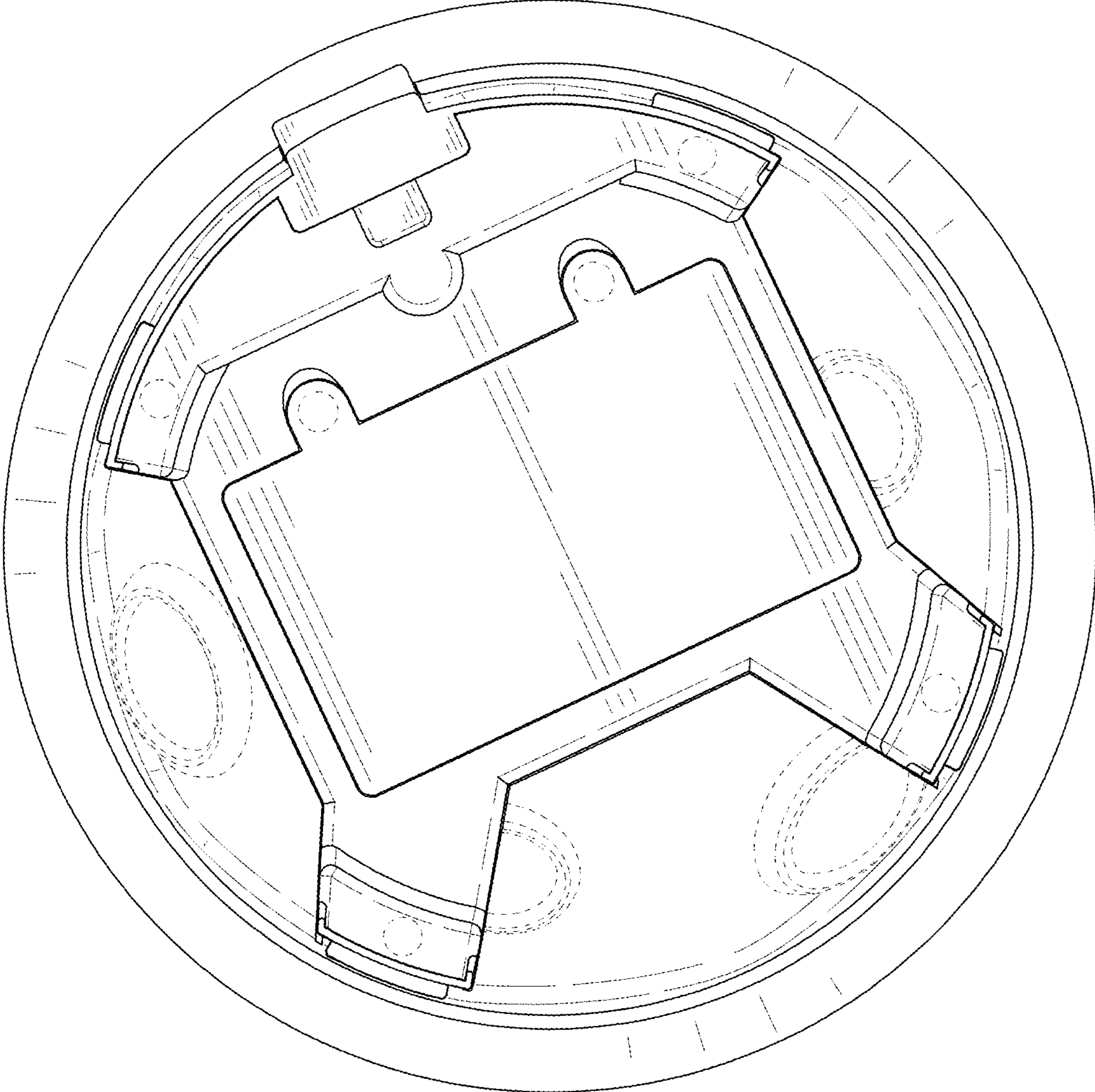


FIG. 8

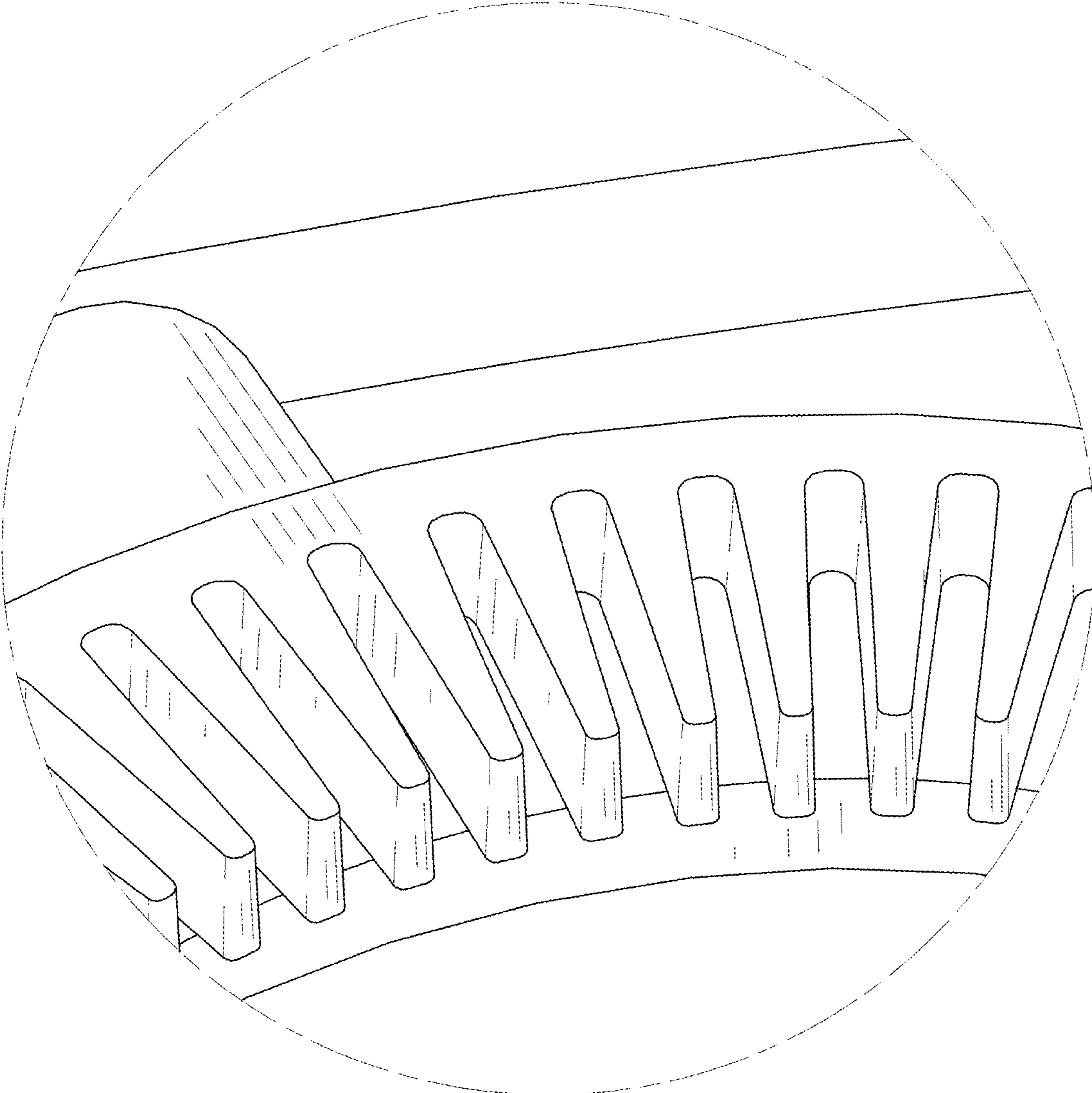


FIG. 9