



US00D978972S

(12) **United States Design Patent** (10) **Patent No.:** **US D978,972 S**
Schoonmaker et al. (45) **Date of Patent:** **** *Feb. 21, 2023**

(54) **BANK OF GAMING MACHINES INCLUDING LIGHT BAR**

(71) Applicant: **Aristocrat Technologies, Inc.**, Las Vegas, NV (US)

(72) Inventors: **Rena Schoonmaker**, Las Vegas, NV (US); **Timothy Seckel**, Streamwood, IL (US); **James McNierney**, Las Vegas, NV (US); **Bruce Urban**, Las Vegas, NV (US)

(73) Assignee: **Aristocrat Technologies, Inc.**, Las Vegas, NV (US)

(*) Notice: This patent is subject to a terminal disclaimer.

(**) Term: **15 Years**

(21) Appl. No.: **29/735,030**

(22) Filed: **May 18, 2020**

(51) **LOC (14) Cl.** **21-01**

(52) **U.S. Cl.**
USPC **D21/369**

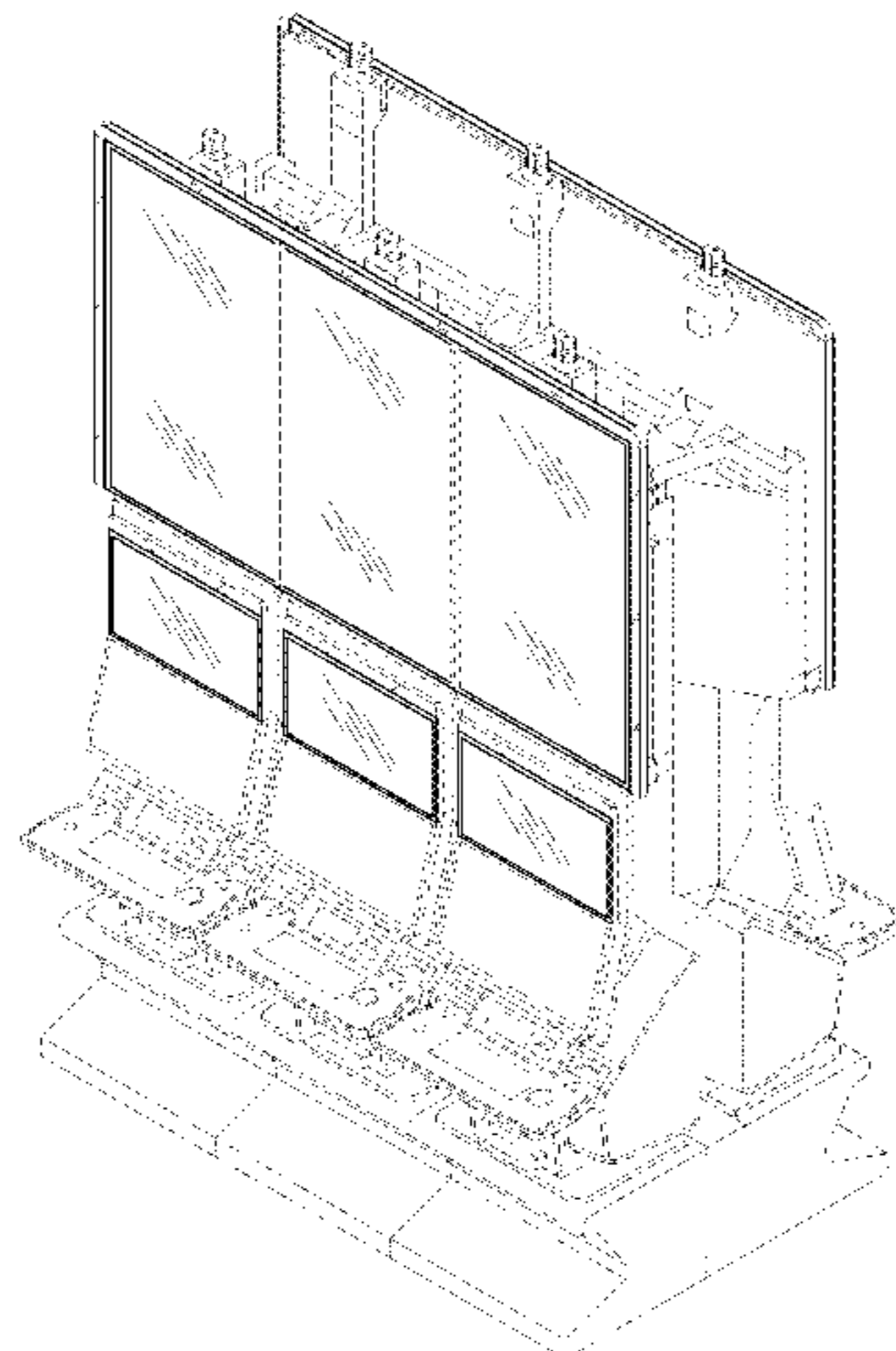
(58) **Field of Classification Search**
USPC D21/325, 329, 369, 371, 370, 385, 394; D25/48.7; D14/129, 126, 127, D14/128.138 G, 172, 248, 307, 325, 341, D14/371, 374, 375, 401, 432, 439, 450; D6/657, 662, 661, 663, 664.1, 667, 668, D6/669, 671, 671.1, 671.2, 672, 673
CPC G07F 17/3216; G07F 17/3211; G07F 17/3267; G07F 17/3213; G07F 17/34; G07F 17/3244

See application file for complete search history.

7,029,396 B2	4/2006	Jaffe
D623,657 S	9/2010	Fitzmaurice
D626,560 S	11/2010	Fitzmaurice
D627,366 S	11/2010	Martiros
D629,420 S	12/2010	O'Donnell
7,988,549 B2	8/2011	Little
D646,695 S	10/2011	Hoggarth
D653,261 S	1/2012	Ikenoue
8,123,612 B2	2/2012	Yoshizawa
8,328,619 B2	12/2012	Nagano
D678,323 S	3/2013	Yoshida
D678,903 S	3/2013	Yoshida
8,388,435 B2	3/2013	Anderson
8,475,261 B2	7/2013	Little
D704,735 S	5/2014	Hollobaugh
D710,882 S	8/2014	Francisco
D715,323 S	10/2014	Umezawa
D720,771 S	1/2015	Lacour
D728,621 S	5/2015	Jou
D732,072 S	6/2015	Ying
D737,320 S	8/2015	McCormick
9,105,147 B2	8/2015	Nagano
D741,368 S	10/2015	Supino
D748,123 S	1/2016	Schwengler
9,245,418 B2	1/2016	Mitchell
D751,098 S	3/2016	Lim
D760,239 S	6/2016	Hirai
D761,804 S	7/2016	Hirai
D762,241 S	7/2016	Loosli
D769,260 S	10/2016	Kim
D769,325 S	10/2016	Casalegno
D776,157 S	1/2017	Lajoie
D776,161 S	1/2017	Tursi
D784,399 S	4/2017	Herrera
D786,928 S	5/2017	Lee
9,679,435 B2 *	6/2017	Schrementi G07F 17/3213
D792,454 S	7/2017	Baumez
D794,672 S	8/2017	Hirai
D795,884 S	8/2017	Kim
D818,048 S *	5/2018	Calhoun D21/369
D819,694 S	6/2018	Kim
D819,747 S *	6/2018	Castro D21/369
D822,117 S *	7/2018	Costa D21/325
D829,222 S	9/2018	Choi
10,181,236 B2 *	1/2019	Goldstein G07F 17/3216
D842,337 S	3/2019	Pudipeddi
D843,467 S *	3/2019	Johnson D21/369
D843,473 S *	3/2019	Zedell, Jr. D21/369
D844,656 S	4/2019	Toth
D868,165 S *	11/2019	Ortiz De Viveiros D21/369
D868,714 S *	12/2019	Hodgson D14/127
D871,419 S	12/2019	Hu
D890,265 S *	7/2020	Johnson D21/369

(56) **References Cited**
U.S. PATENT DOCUMENTS

D213,676 S	4/1969	Biro
D398,597 S	9/1998	Morioka
D498,267 S *	11/2004	Crouch D21/370



D890,790	S	7/2020	Marks	
D890,849	S *	7/2020	Johnson	D21/369
D902,319	S *	11/2020	Hohman	D21/369
D905,730	S	12/2020	Newsom	
D908,712	S	1/2021	Fischbach	
D909,399	S	2/2021	La Guardia	
D911,451	S	2/2021	Ortiz De Viveiros	
D913,379	S *	3/2021	Calhoun Lewis	D21/369
D918,303	S	5/2021	Demarco	
D934,347	S *	10/2021	Ocampo	D21/370
D934,955	S	11/2021	Van Linden	
D937,354	S *	11/2021	Glenn, II	D21/369
D937,355	S *	11/2021	Olive	D21/369
D943,027	S *	2/2022	Ortiz De Viveiros	D21/369
D943,028	S *	2/2022	Ortiz de Viveiros	D21/369
D943,029	S *	2/2022	Francisco	D21/369
D944,330	S *	2/2022	Ortiz De Viveiros	D21/369
D946,661	S *	3/2022	Thompson	D21/369
D954,844	S *	6/2022	Rosander	D21/369
D958,888	S *	7/2022	DeMarco	D21/325
D959,562	S *	8/2022	Edwards	D21/370
2002/0119814	A1	8/2002	Fong	
2002/0183105	A1	12/2002	Cannon	
2004/0048646	A1	3/2004	Visocnik	
2004/0204227	A1	10/2004	Johnson	
2005/0043083	A1	2/2005	Inoue	
2005/0059475	A1	3/2005	Breen	
2005/0215311	A1	9/2005	Hornik	
2005/0282615	A1	12/2005	Englman	
2005/0288094	A1	12/2005	Marks	
2007/0287529	A1	12/2007	Kojima	
2010/0210343	A1	8/2010	Englman	
2011/0207530	A1	8/2011	Chudek	
2013/0116809	A1	5/2013	Carpenter	
2014/0094303	A1	4/2014	Wabschall	
2014/0256409	A1	9/2014	Wood	
2015/0099568	A1	4/2015	Elias	
2016/0092065	A1	3/2016	Hilbert	
2016/0093145	A1	3/2016	Kitamura	
2016/0140795	A1	5/2016	Fong	
2017/0061743	A1	3/2017	Itagaki	
2017/0092066	A1	3/2017	Watkins	
2017/0221313	A1	8/2017	Basallo	
2018/0040191	A1	2/2018	Tran	
2019/0096170	A1*	3/2019	Lewis	G07F 17/3211
2020/0327779	A1	10/2020	Sanborn	

FOREIGN PATENT DOCUMENTS

EM	0031804620004	6/2016
EM	004124030-0002	* 7/2017
EM	0041240300002	7/2017
EM	008538243-0003	* 5/2021

OTHER PUBLICATIONS

MCFM-55-43inch Vertical Type Gaming Machine, first available Jul. 1, 2020, syweb.com [online], site visited Nov. 15, 2021], Available from internet URL: <https://bit.ly/3oxvpLu> (Year: 2020).*

Infinity V55, first available Apr. 23, 2018, youtube.com [online], site visited Nov. 16, 2021], Available from internet URL: <https://www.youtube.com/watch?v=ILy-9J6YkPo> (Year: 2018).*

MCFM-55-43inch Vertical Type Gaming Machine, first available Jul. 1, 2020, syweb.com [online], site visited [Feb. 15, 2021], Available from internet URL: <https://bit.ly/3oxvpLu> (Year: 2020).*

“Huge new casino and resort opens near Toronto”, Aug. 5, 2021, Blogto, site visited Aug. 1, 2022: <https://www.blogto.com/city/2021/08/huge-new-casino-and-resort-opens-near-toronto/> (Year: 2021).*

“Slot machines” Aug. 11, 2020, Encore Boston Harbor, site visited Aug. 1, 2022: <https://www.encorebostonharbor.com/casino/featured-slot-games> (Year: 2020).*

“How Do I Pick a Good Slot Machine” Mar. 17, 2020, BestUsCasinos, site visited Aug. 2, 2022: <https://www.bestuscasinos.org/blog/how-do-i-pick-good-slot-machine/> (Year: 2020).*

“Winning big bucks”, Aug. 4, 2021, Youtube, site visited Nov. 1, 2022: <https://www.youtube.com/watch?v=dQeaTYnkCt0> (Year: 2021).*

“Discover the Sumptuous Grand Casino Brussels Viage” Nov. 14, 2017, Youtube, site visited Nov. 1, 2022: <https://www.youtube.com/watch?v=LNr5WDi0-rs> (Year: 2017).*

“Huge Win! Queen of the Nile Deluxe Slot—Max Bet Bonus!,” screenshots of YouTube video, download date Apr. 30, 2019, published on Sep. 5, 2018, 7 pages.

Office Action dated Jul. 6, 2020 for U.S. Appl. No. 16/379,724 (pp. 1-10).

Office Action dated Oct. 22, 2020 for U.S. Appl. No. 29/686,998 (pp. 1-8).

Notice of Allowance dated Nov. 4, 2020 for U.S. Appl. No. 16/379,724 (pp. 1-9).

Notice of Allowance dated Dec. 16, 2020 for U.S. Appl. No. 16/379,724 (pp. 1-2).

Notice of Allowance dated Jan. 25, 2021 for U.S. Appl. No. 29/686,998 (pp. 1-7).

Office Action dated Feb. 23, 2021 for U.S. Appl. No. 29/686,999 (pp. 1-6).

GiVe. “Remerge’s CSS loader+ CodePen.” Dribbble, published Nov. 24, 2014 (Retrieved from the Internet Feb. 17, 2021). Internet URL: <<https://dribbble.com/shots/1821741-Remerge-s-CSS-loader-CodePen>> (Year: 2014).

Torsani, Derek. “Animated Buffer Logo.” Dribbble, published Mar. 31, 2015 (Retrieved from the Internet Feb. 17, 2021). Internet URL: <<https://dribbble.com/shots/1998685-Animated-Buffer-Logo>> (Year: 2015).

Corrected Notice of Allowability dated Mar. 19, 2021 for U.S. Appl. No. 29/686,998 (pp. 1-2).

Notice of Allowance dated Apr. 28, 2021 for U.S. Appl. No. 29/686,999 (pp. 1-6).

Office Action (Non-Final Rejection) dated Sep. 27, 2021 for U.S. Appl. No. 17/079,400 (pp. 1-11).

Office Action (Non-Final Rejection) dated Sep. 23, 2021 for U.S. Appl. No. 17/248,251 (pp. 1-12).

Office Action (Final Rejection) dated Jan. 28, 2022 for U.S. Appl. No. 17/079,400 (pp. 1-10).

Office Action (Final Rejection) dated Feb. 24, 2022 for U.S. Appl. No. 17/248,251 (pp. 1-6).

Office Action dated Mar. 23, 2022 for U.S. Appl. No. 29/735,035 (pp. 1-10).

Office Action dated Mar. 17, 2022 for U.S. Appl. No. 29/735,056 (pp. 1-12).

Office Action dated Mar. 23, 2022 for U.S. Appl. No. 29/735,058 (pp. 1-11).

Office Action dated Mar. 17, 2022 for U.S. Appl. No. 29/735,063 (pp. 1-12).

Office Action dated Mar. 23, 2022 for U.S. Appl. No. 29/735,065 (pp. 1-10).

Office Action dated Mar. 17, 2022 for U.S. Appl. No. 29/735,067 (pp. 1-13).

Office Action dated Mar. 17, 2022 for U.S. Appl. No. 29/735,069 (pp. 1-12).

Office Action (Notice of Allowance and Fees Due (PTOL-85)) dated Apr. 6, 2022 for U.S. Appl. No. 17/248,251 (pp. 1-8).

Office Action (Notice of Allowance and Fees Due (PTOL-85)) dated May 23, 2022 for U.S. Appl. No. 17/248,251 (pp. 1-2).

* cited by examiner

Primary Examiner — Jack Reickel
Assistant Examiner — Salamah Jordan
 (74) *Attorney, Agent, or Firm* — Armstrong Teasdale LLP

(57) **CLAIM**

We claim the ornamental design for a bank of gaming machines including light bar, as shown and described.

DESCRIPTION

The present application is related to U.S. patent application Ser. No. 29/735,056, filed May 18, 2020, entitled “Bank of

Gaming Machines Including Light Bar,” U.S. patent application Ser. No. 29/735,058, filed May 18, 2020, entitled “Bank of Gaming Machines Including Light Bar,” U.S. patent application Ser. No. 29/735,063, filed May 18, 2020, entitled “Bank of Gaming Machines Including Light Bar,” U.S. patent application Ser. No. 29/735,065, filed May 18, 2020, entitled “Bank of Gaming Machines Including Light Bar,” U.S. patent application Ser. No. 29/735,067, filed May 18, 2020, entitled “Bank of Gaming Machines Including Light Bar,” U.S. patent application Ser. No. 29/735,035, filed May 18, 2020, entitled “Bank of Gaming Machines Including Light Bar,” and U.S. patent application Ser. No. 29/735,069, filed May 18, 2020, entitled “Gaming Machine Including Light Bar,” the disclosures of which are hereby incorporated by reference in their entireties.

FIG. 1 is a perspective view of a bank of gaming machines including light bar showing the new design;

FIG. 2 is a front view thereof;

FIG. 3 is a rear view thereof;

FIG. 4 is a right side view thereof;

FIG. 5 is a left side view thereof;

FIG. 6 is a top view thereof;

FIG. 7 is a bottom view thereof; and,

FIG. 8 is another front view thereof, illustrating the light bar in an illuminated state.

In these drawings, the solid lines illustrate the claimed ornamental design. The broken lines in the figures illustrate portions of the bank of gaming machines including light bar that form no part of the claimed design. The radiating lines emanating from the light bar in FIG. 8 represent illumination.

1 Claim, 7 Drawing Sheets

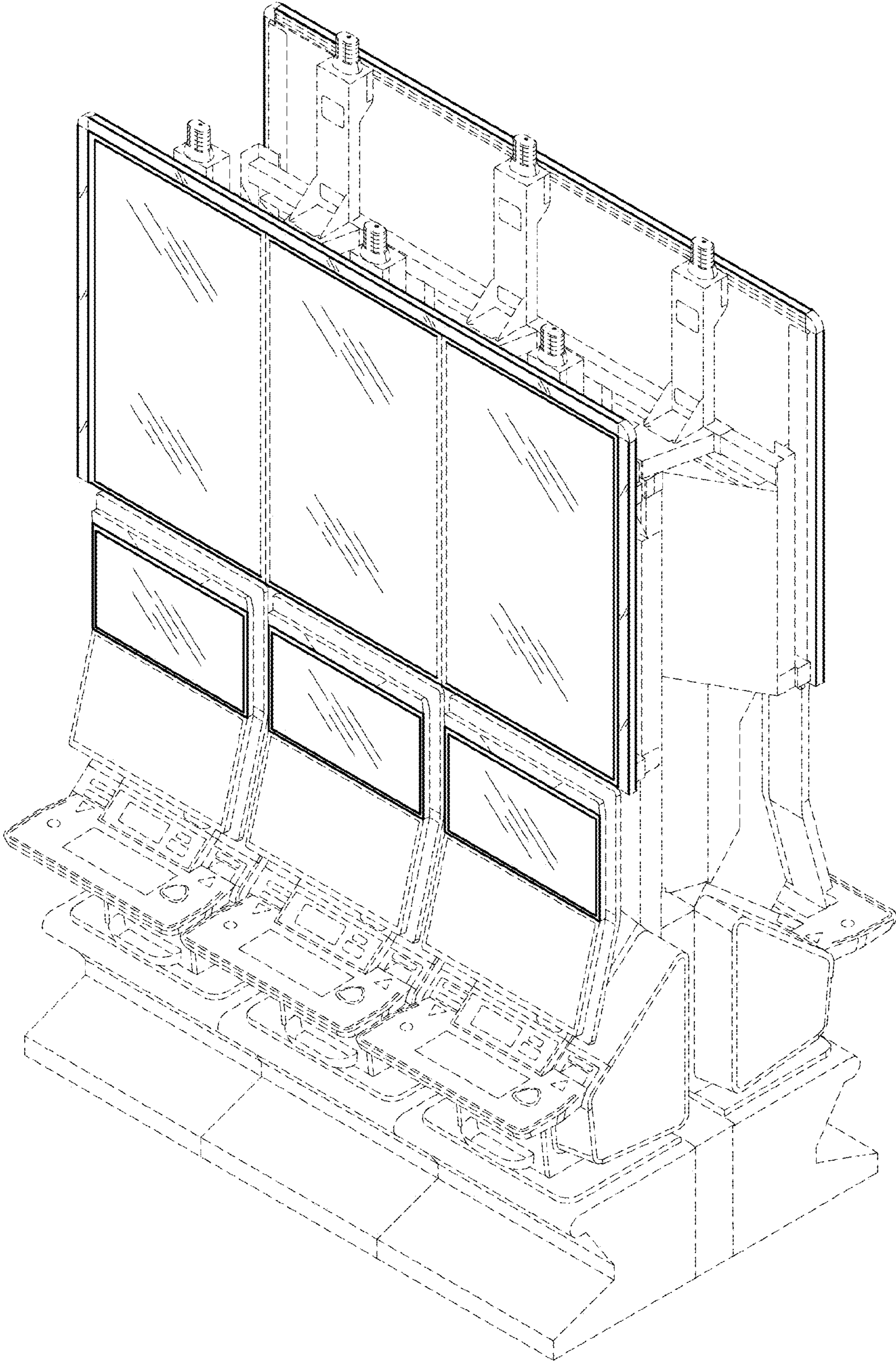


FIG. 1

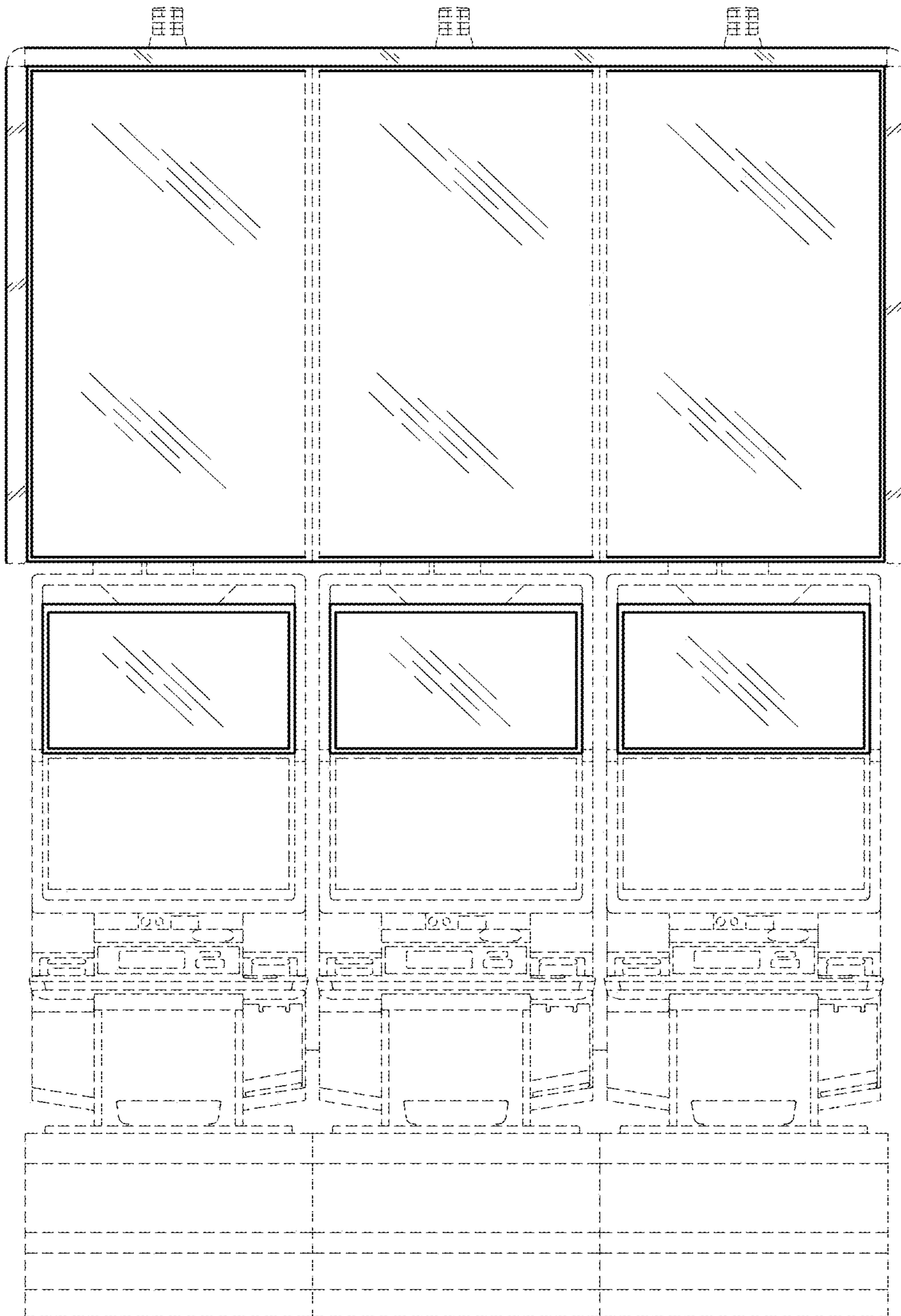


FIG. 2

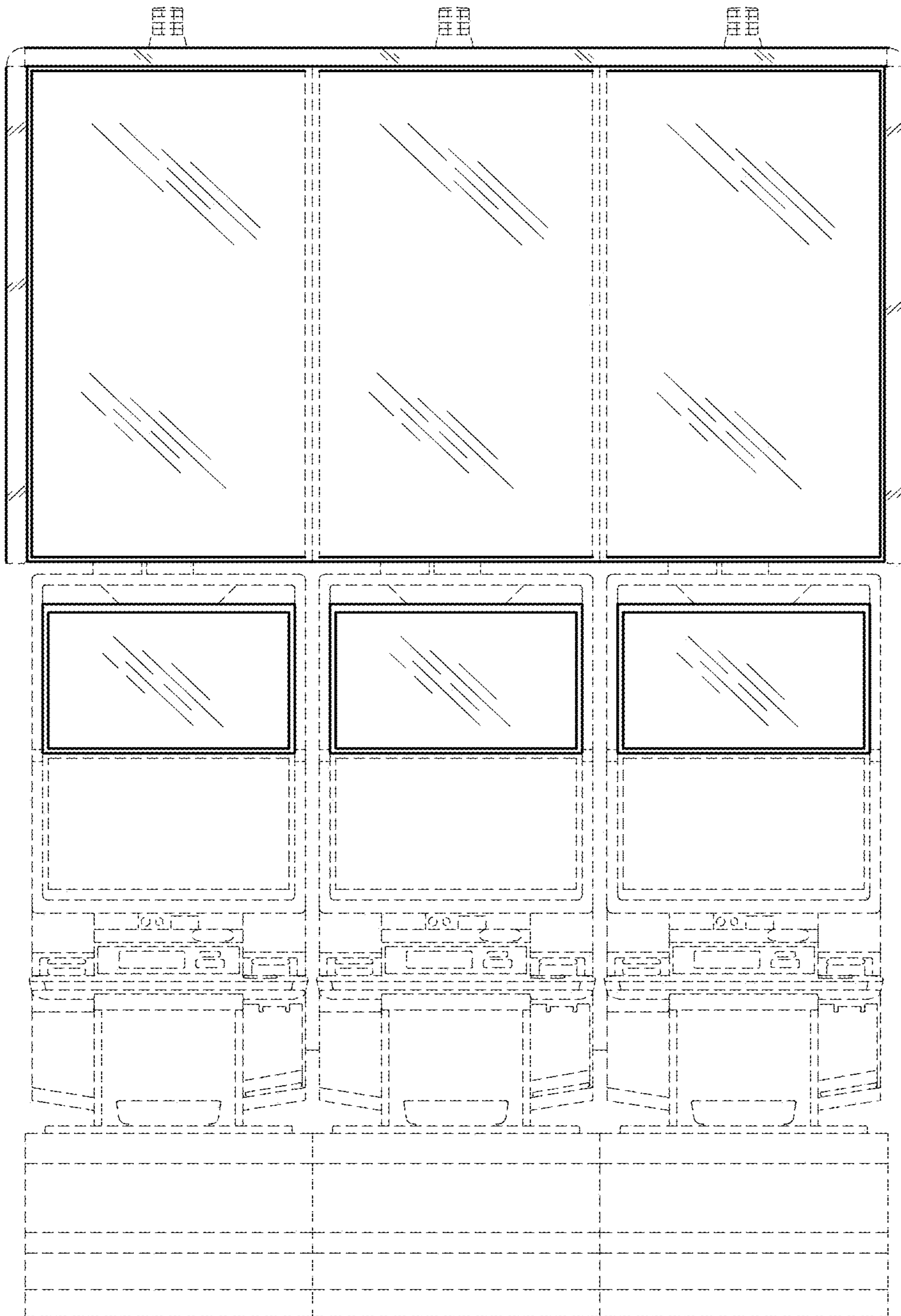


FIG. 3

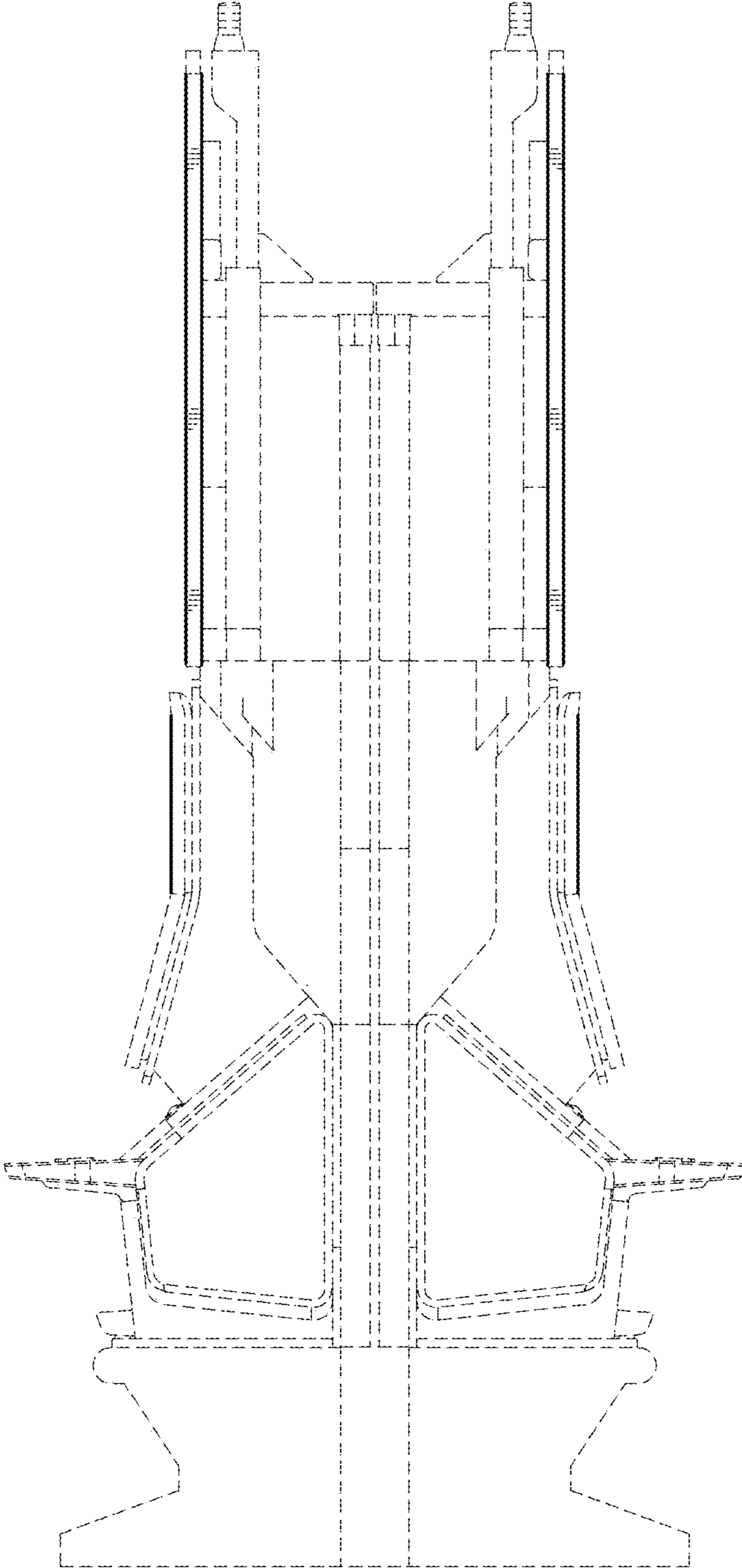


FIG. 4

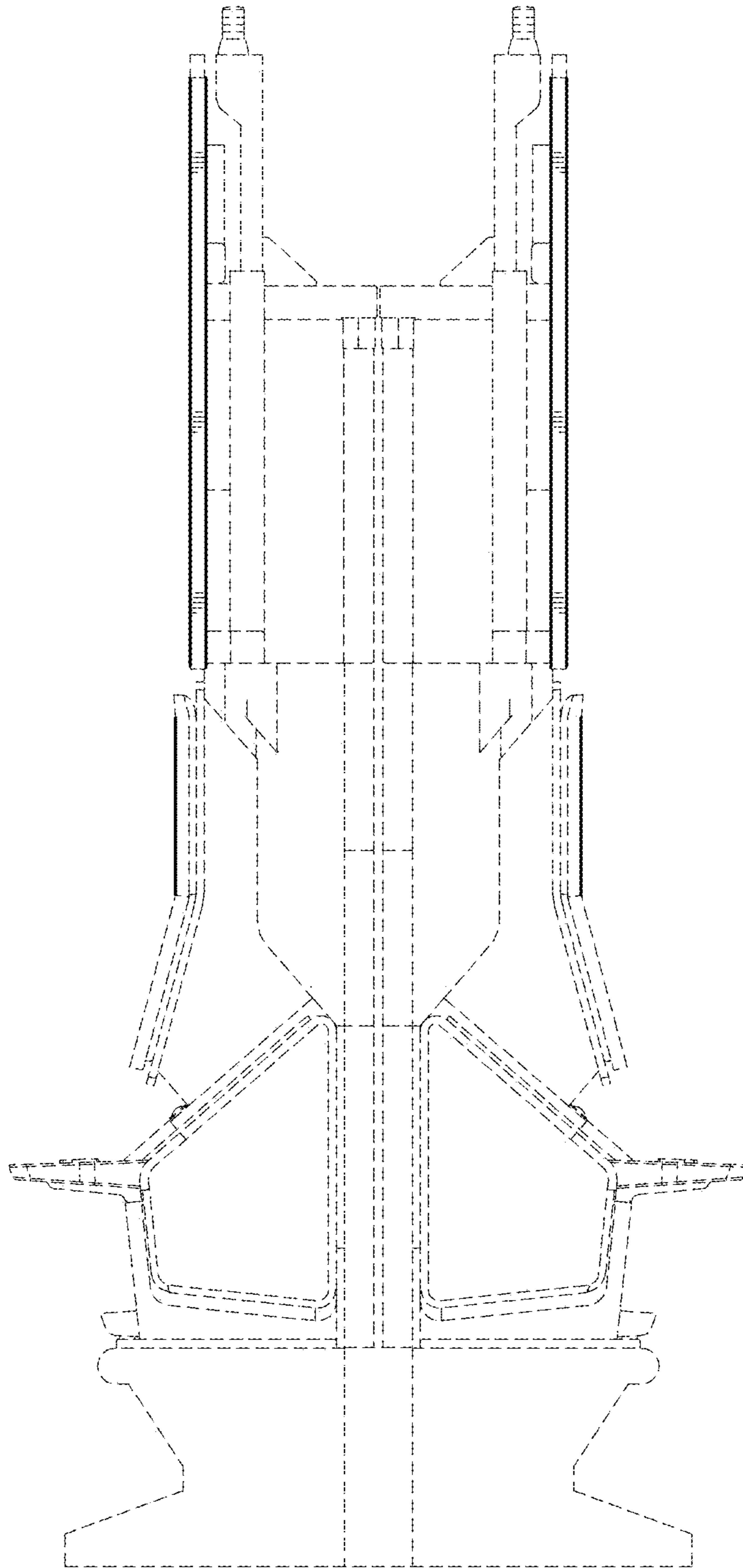


FIG. 5

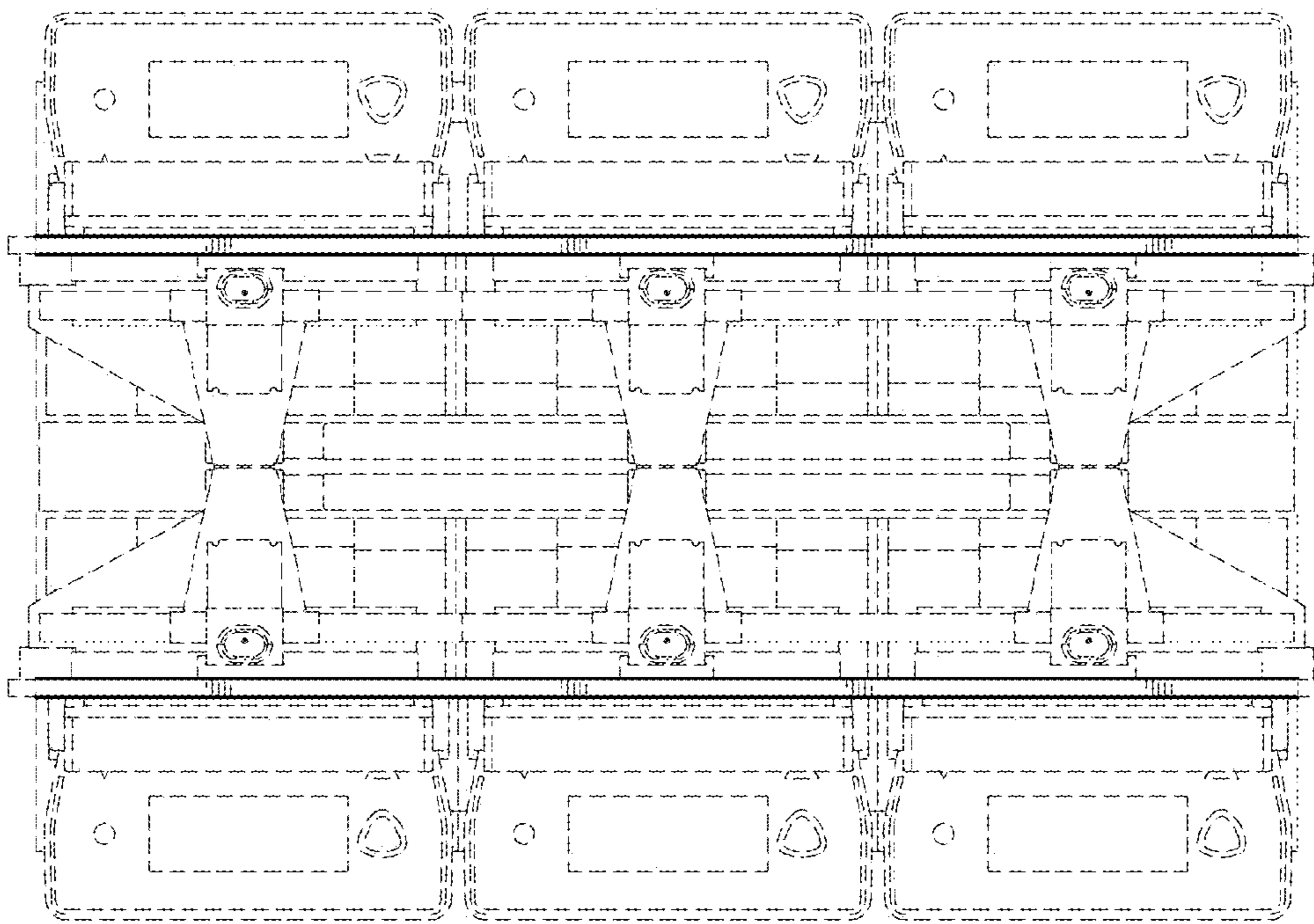


FIG. 6

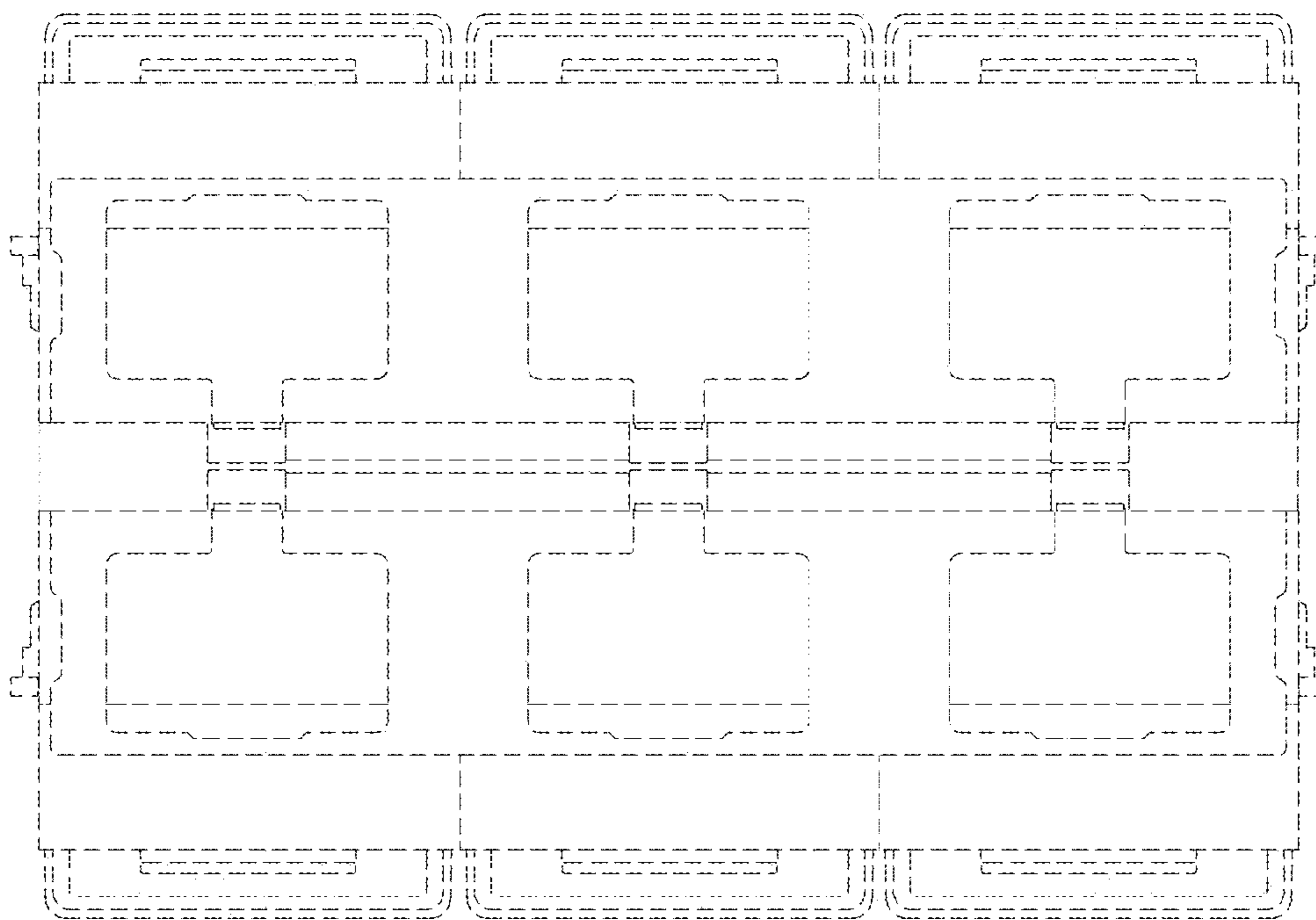


FIG. 7

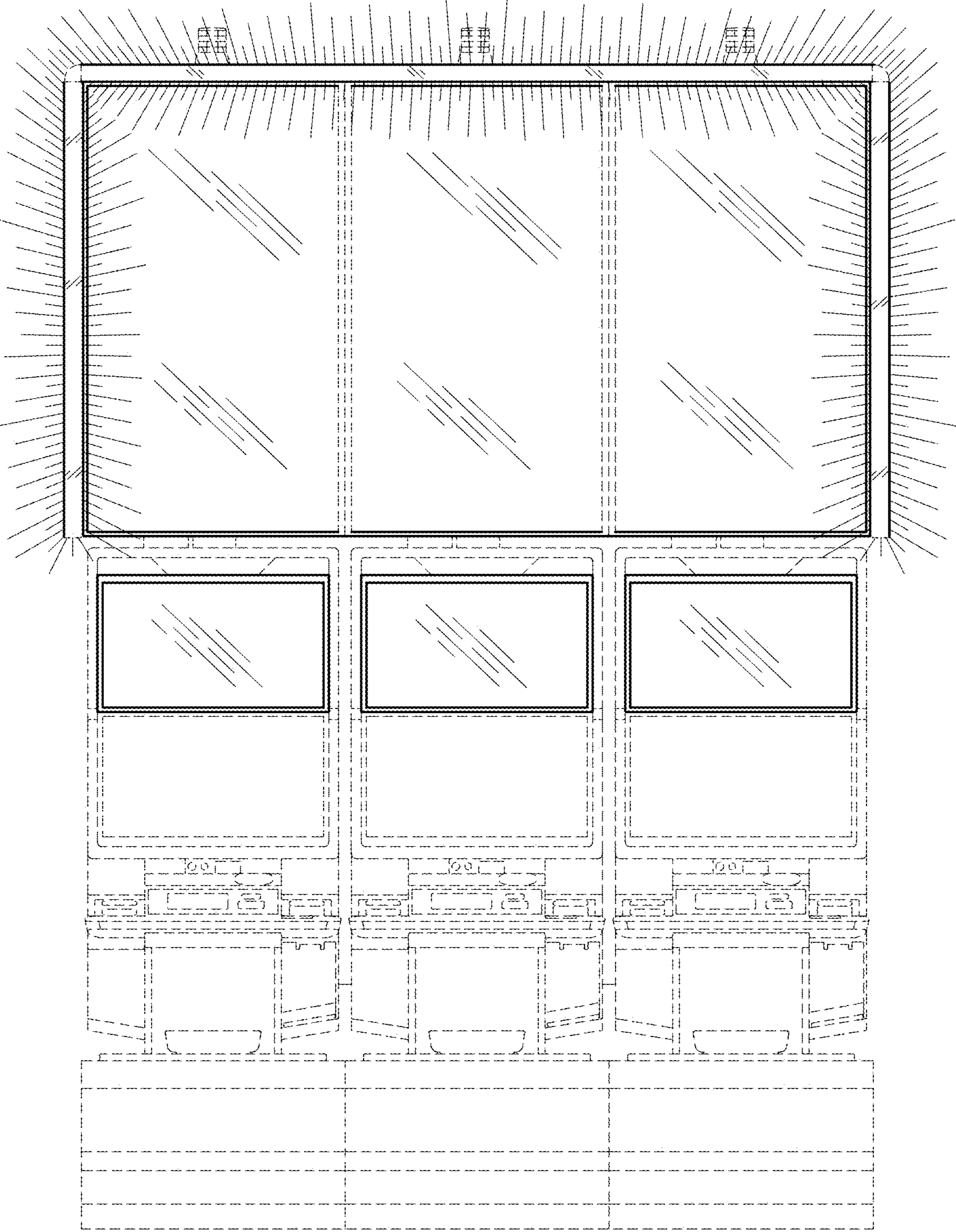


FIG. 8