



US00D978970S

(12) **United States Design Patent**
Qiu

(10) **Patent No.:** **US D978,970 S**

(45) **Date of Patent:** **** Feb. 21, 2023**

(54) **GAME CONTROLLER**

(71) Applicant: **Lisong Qiu**, Sichuan (CN)

(72) Inventor: **Lisong Qiu**, Sichuan (CN)

(**) Term: **15 Years**

(21) Appl. No.: **29/858,344**

(22) Filed: **Oct. 31, 2022**

(51) **LOC (14) Cl.** **21-01**

(52) **U.S. Cl.**
USPC **D21/333**

(58) **Field of Classification Search**
USPC D21/324–329, 330, 332, 333, 566;
D14/125–126, 127–137, 138, 168,
D14/217–218, 248, 315–318, 322, 326,
D14/334–336, 339, 340–347, 356,
D14/387–389, 399–401, 405–410,
D14/412–416, 421–430, 443, 449–450,
D14/454, 474, 483, 496; D6/300, 310,
D6/314, 320, 332, 553, 657; D10/50, 65,
D10/104.1; D18/6, 7; D19/26, 59–60
CPC A63F 9/00; A63F 9/24; A63F 11/00; A63F
13/02; A63F 13/06; A63F 13/24; A63F
13/98; H04M 1/0202; H04M 1/0266;
H04M 1/725
See application file for complete search history.

(56) **References Cited**

U.S. PATENT DOCUMENTS

6,171,191 B1 * 1/2001 Ogata A63F 13/42
345/161
6,342,009 B1 * 1/2002 Soma A63F 13/90
345/184

6,394,906 B1 * 5/2002 Ogata A63F 13/285
463/37
D522,000 S 5/2006 Hussaini et al.
D553,619 S 10/2007 Mak et al.
D571,806 S * 6/2008 Goto D14/401
D572,254 S * 7/2008 Goto D14/401
D712,408 S * 9/2014 Sumii D14/401
D715,296 S * 10/2014 Huang D14/401
D780,760 S * 3/2017 Ironmonger D14/401
D868,898 S * 12/2019 Fei D21/333
D881,281 S * 4/2020 Tong D21/333
D935,460 S * 11/2021 Zhu D14/401
D967,097 S * 10/2022 Yang D14/401
D972,037 S * 12/2022 Wang D21/333

* cited by examiner

Primary Examiner — Katie Jane Stofko
(74) *Attorney, Agent, or Firm* — ScienBiziP, P.C.

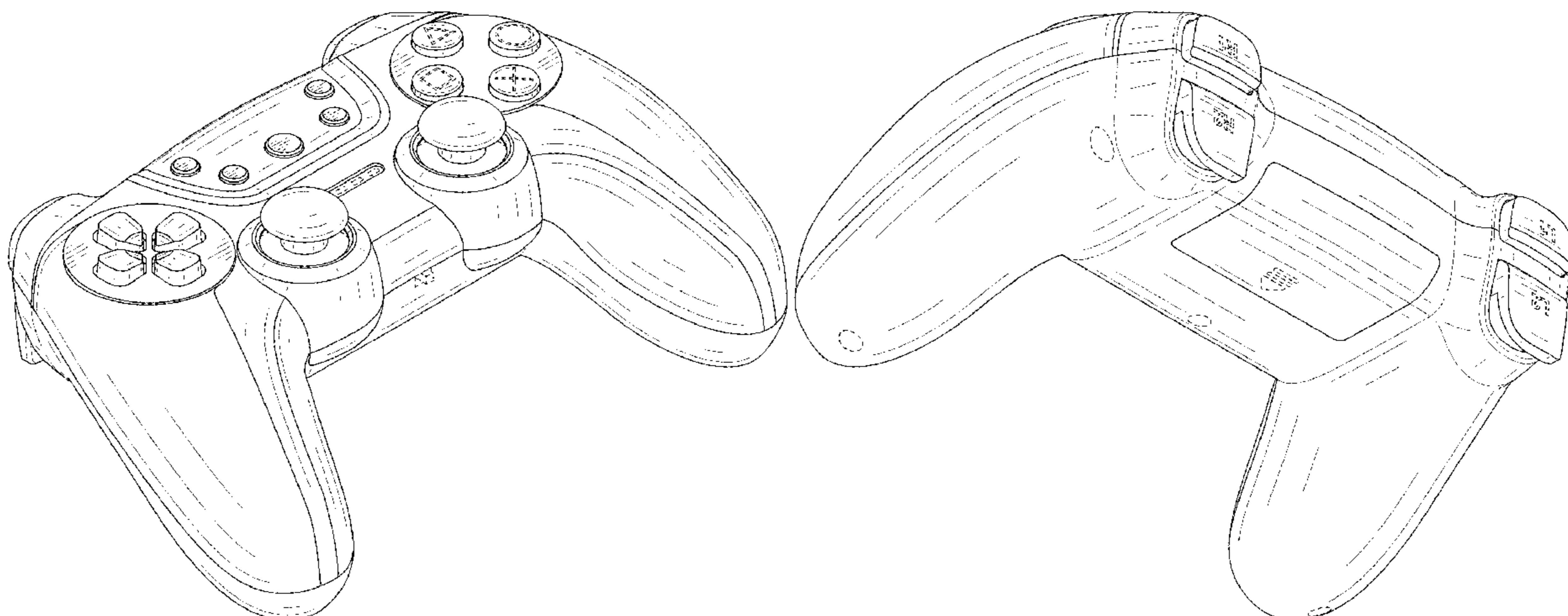
(57) **CLAIM**

The ornamental design for a game controller, as shown and described.

DESCRIPTION

FIG. 1 is a front, left and top perspective view of a game controller, showing my new design;
FIG. 2 is a rear, right and bottom perspective view thereof;
FIG. 3 is a front elevation view thereof;
FIG. 4 is a rear elevation view thereof;
FIG. 5 is a left side elevation view thereof;
FIG. 6 is a right side elevation view thereof;
FIG. 7 is a top plan view thereof; and,
FIG. 8 is a bottom plan view thereof.
The broken lines depict portions of the game controller that form no part of the claimed design.

1 Claim, 8 Drawing Sheets



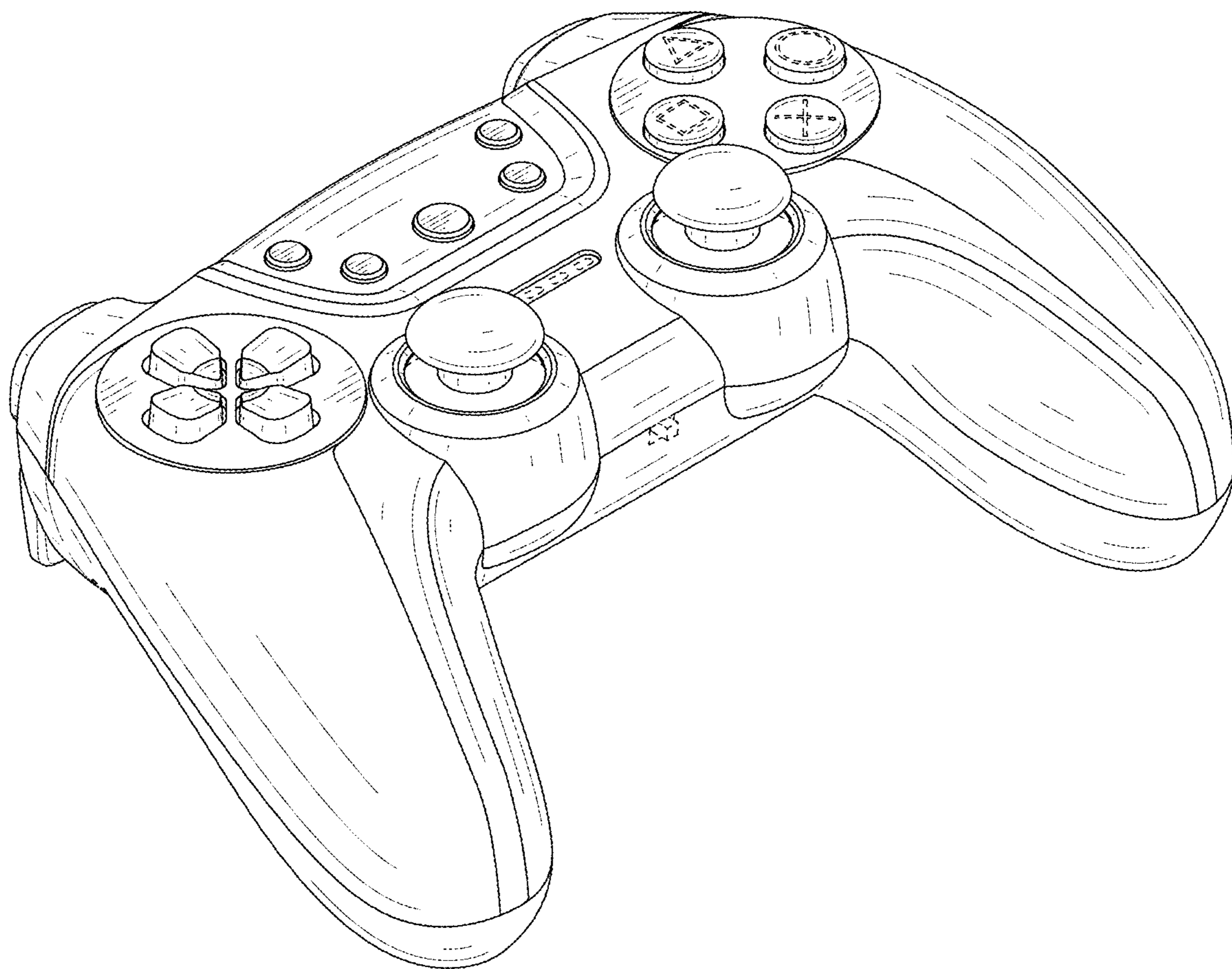


FIG. 1

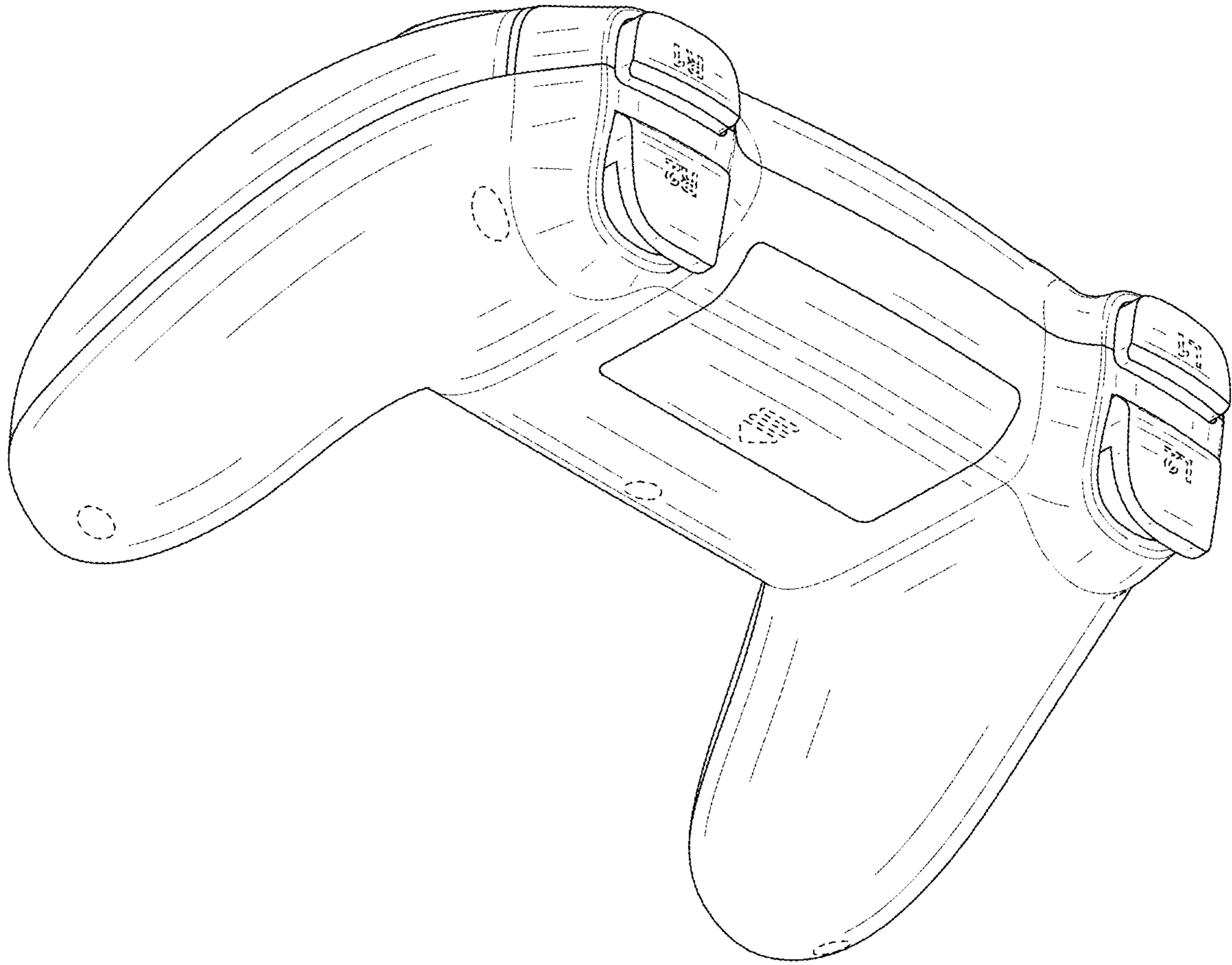


FIG. 2

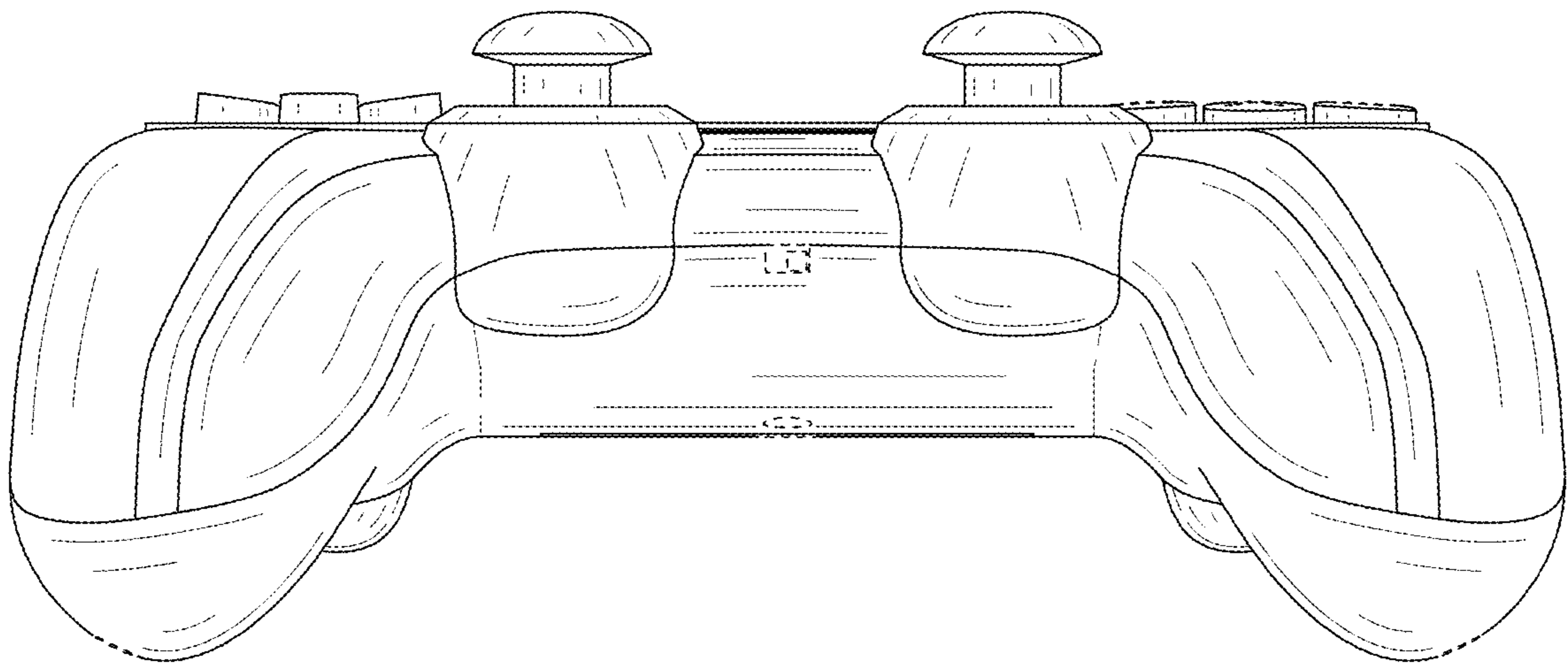


FIG. 3

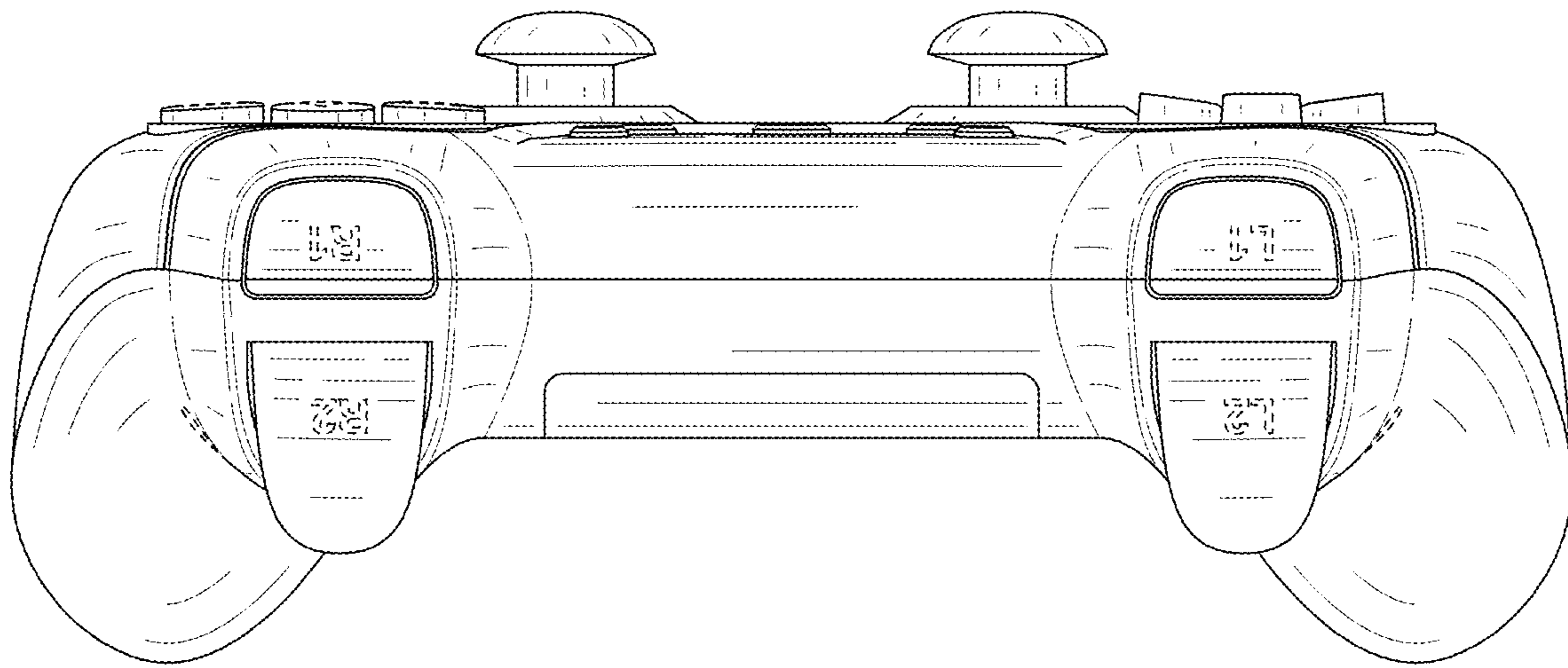


FIG. 4

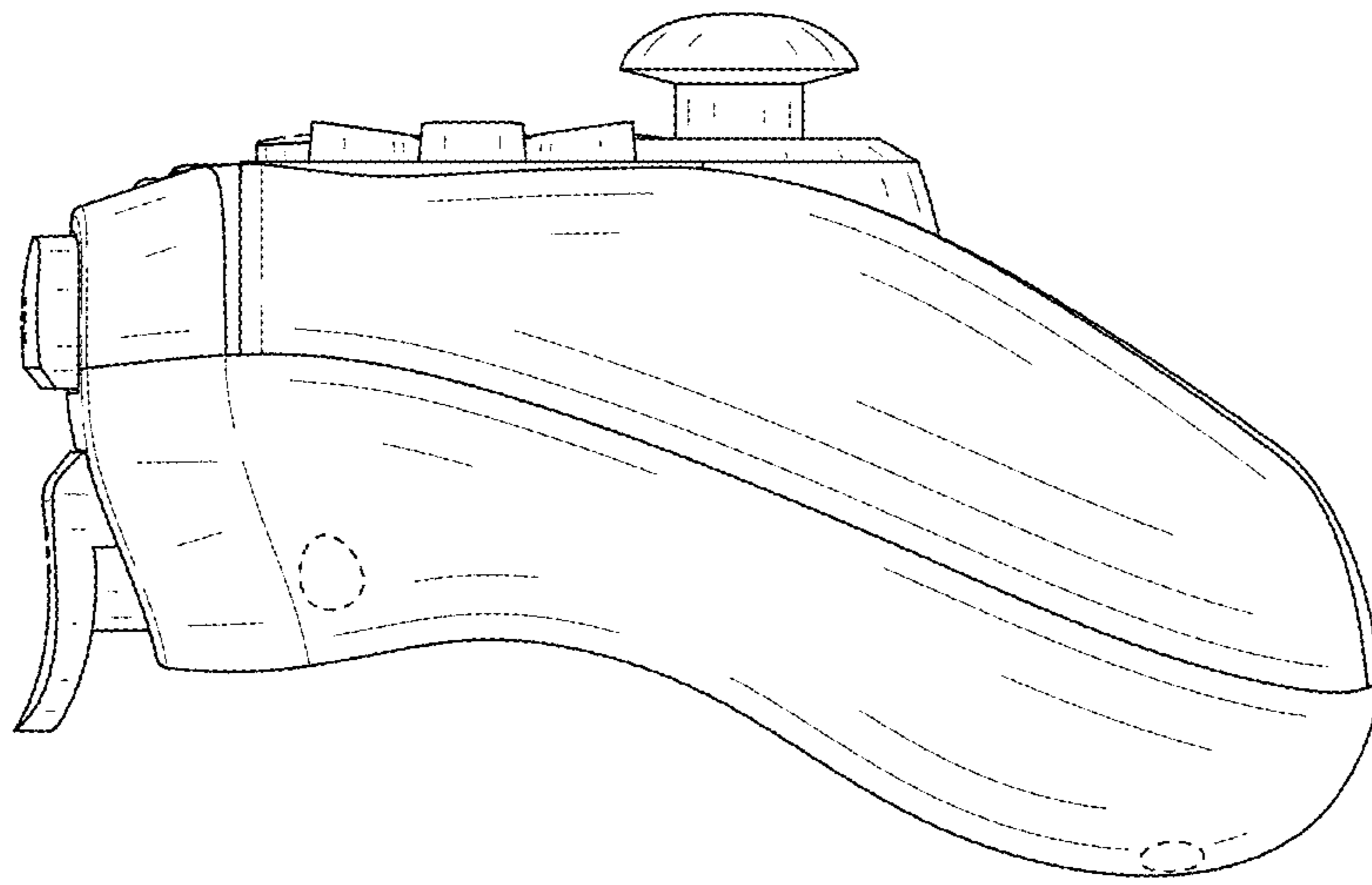


FIG. 5

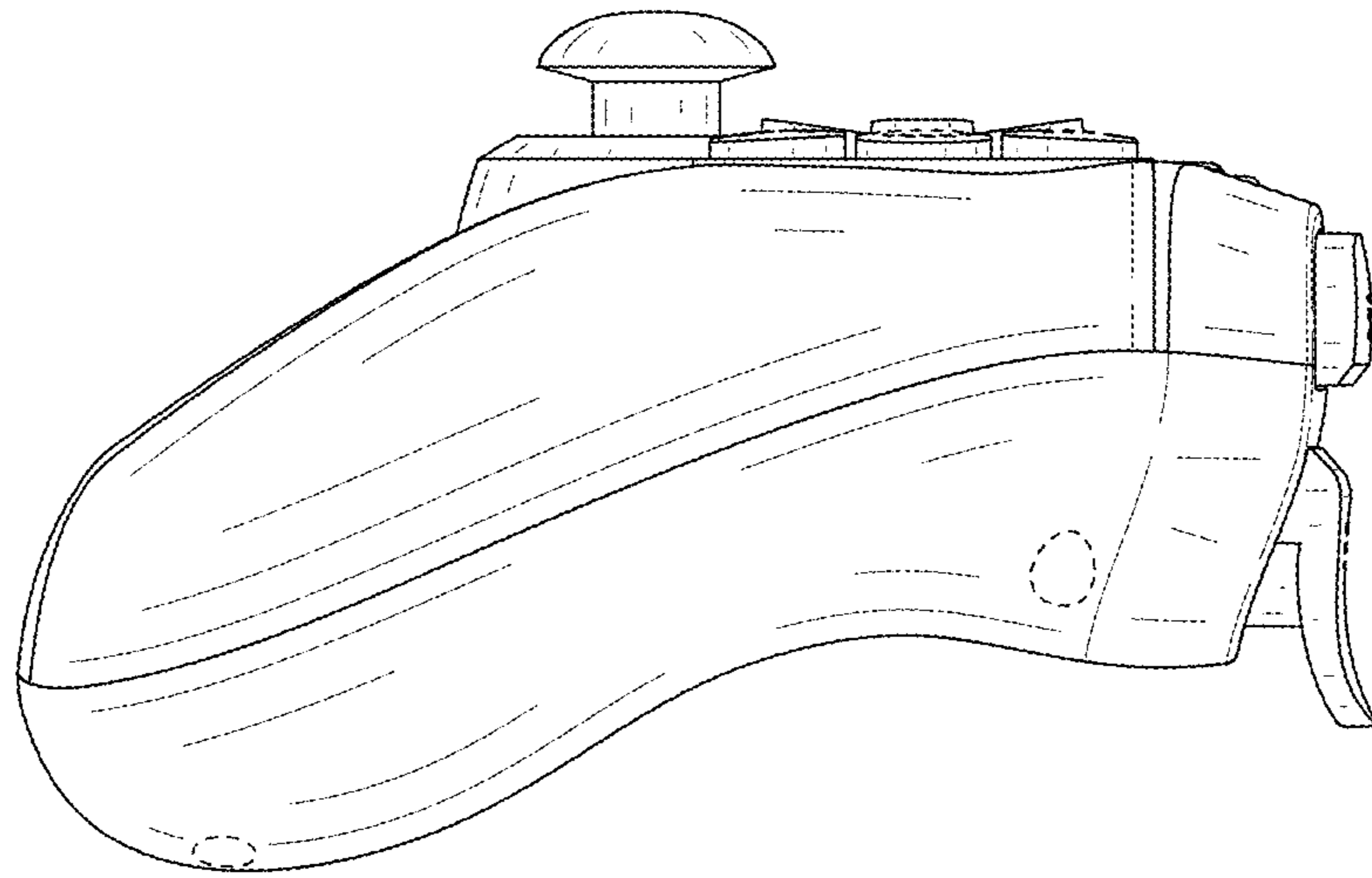


FIG. 6

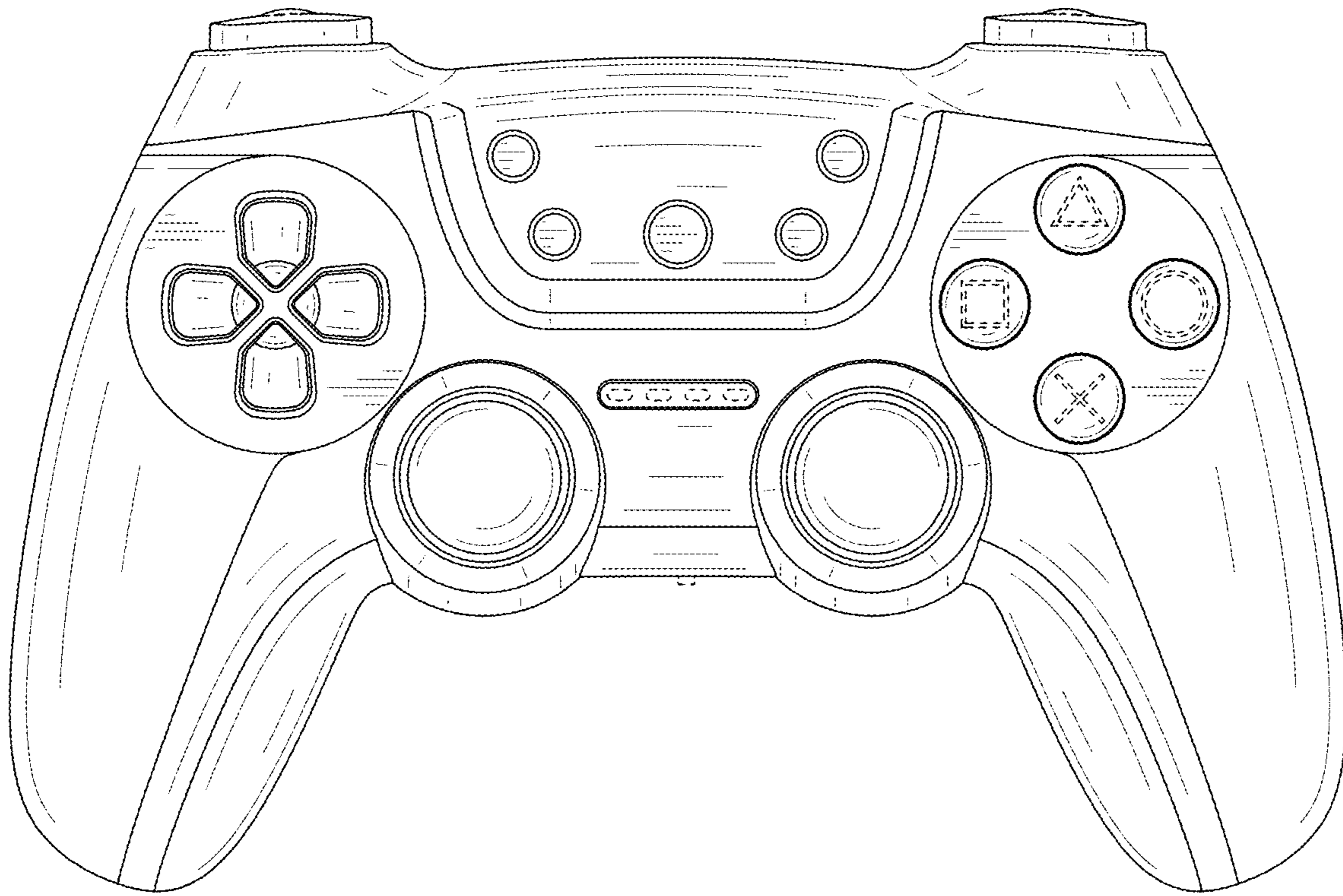


FIG. 7

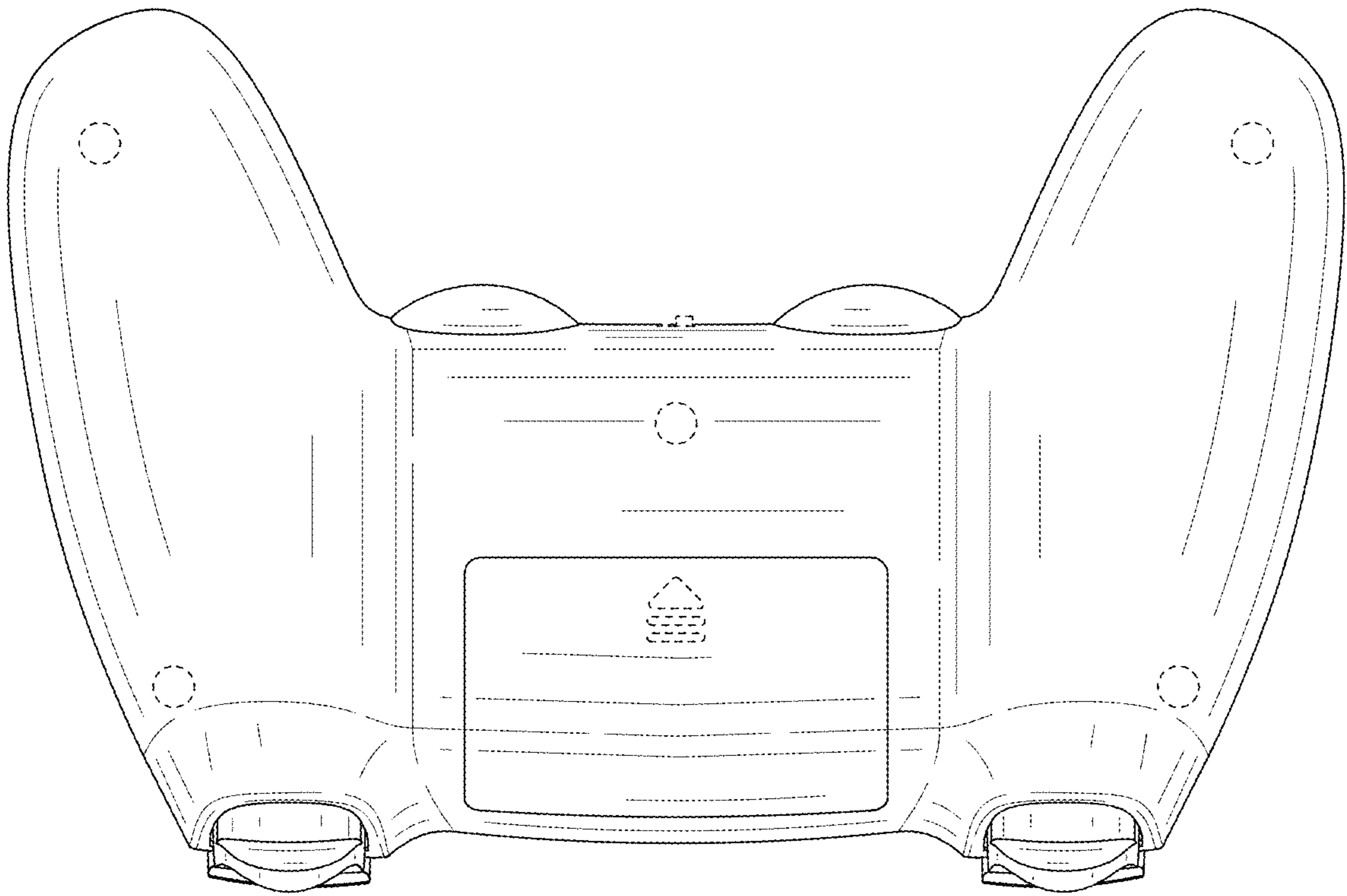


FIG. 8