



US00D978969S

(12) **United States Design Patent** (10) **Patent No.:** **US D978,969 S**  
**Wang** (45) **Date of Patent:** **\*\* Feb. 21, 2023**

(54) **GAME CONTROLLER**  
(71) Applicant: **Sen Wang**, Shenzhen (CN)  
(72) Inventor: **Sen Wang**, Shenzhen (CN)  
(\*\*) Term: **15 Years**  
(21) Appl. No.: **29/838,732**  
(22) Filed: **May 16, 2022**  
(51) **LOC (14) Cl.** ..... **21-01**  
(52) **U.S. Cl.**  
USPC ..... **D21/333**  
(58) **Field of Classification Search**  
USPC ..... D21/324, 332-337, 566, 572-574, 328;  
D14/217, 218, 356, 387, 388, 389, 400,  
D14/401, 415, 418, 426-431, 443, 447,  
D14/449, 450, 454, 455, 471, 474, 483,  
D14/496, 511; D13/164, 168  
CPC .. A63F 9/02; A63F 9/24; A63F 9/0291; A63F  
9/0252; A63F 13/00; A63F 13/23; A63F  
13/24; A63F 13/26; A63F 13/98; A63F  
13/02; A63F 13/12; A63F 9/00; A63F  
2300/00; A63F 2300/1031  
See application file for complete search history.

D923,097 S \* 6/2021 Zhao ..... D21/333  
D923,098 S \* 6/2021 Zhao ..... D21/333  
D923,100 S \* 6/2021 Zhou ..... D21/333  
D924,978 S \* 7/2021 Chatterjee ..... D21/333  
D926,887 S \* 8/2021 Yang ..... D21/333  
D928,235 S \* 8/2021 Paterson ..... D21/333  
D928,880 S \* 8/2021 Yu ..... D21/333  
D934,344 S \* 10/2021 Hsu ..... D14/401  
D935,460 S \* 11/2021 Zhu ..... D14/401  
D936,146 S \* 11/2021 Hsu ..... D21/333  
D940,244 S \* 1/2022 Zhou ..... D21/333  
D947,946 S \* 4/2022 Luo ..... D21/333  
D950,648 S \* 5/2022 Su ..... D21/333  
D951,354 S \* 5/2022 Feng ..... D21/333  
D953,439 S \* 5/2022 Wang ..... D21/333

(Continued)

Primary Examiner — Mehri F Bajoul

(57) **CLAIM**

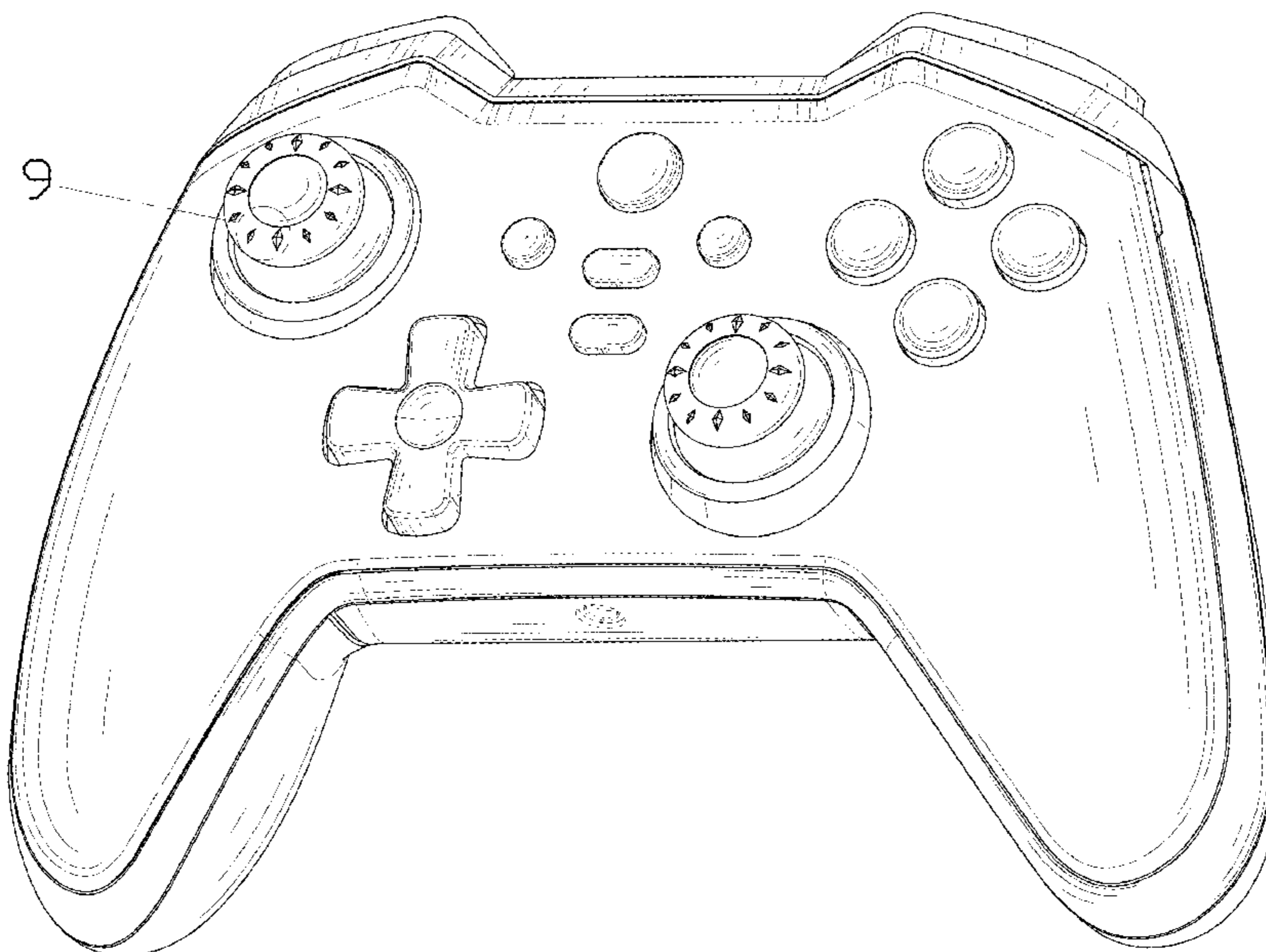
The ornamental design for a game controller, as shown and described.

**DESCRIPTION**

FIG. 1 is a perspective view of a game controller showing my new design;  
FIG. 2 is another perspective view thereof;  
FIG. 3 is a front elevational view thereof;  
FIG. 4 is a rear elevational view thereof;  
FIG. 5 is a left side elevational view thereof;  
FIG. 6 is a right side elevational view thereof;  
FIG. 7 is a top plan view thereof;  
FIG. 8 is a bottom plan view thereof;  
FIG. 9 is an enlarged view of portion 9 shown in FIG. 1; and,  
FIG. 10 is an enlarged view of portion 10 shown in FIG. 2.  
The even length dash-dash broken lines in the drawings depict portions of the game controller that form no part of the claimed design. The long-short dashed broken lines illustrate bounds of the magnified broken line portions and form no part of the claimed design.

**1 Claim, 10 Drawing Sheets**

(56) **References Cited**  
U.S. PATENT DOCUMENTS  
D768,786 S \* 10/2016 Seflic ..... D14/401  
D794,129 S \* 8/2017 Kujawski ..... D14/401  
D794,717 S \* 8/2017 Kujawski ..... D14/401  
D816,083 S \* 4/2018 Wu ..... D14/401  
D823,945 S \* 7/2018 Falc ..... D14/416  
D875,180 S 2/2020 Wang  
D875,835 S 2/2020 Yamamoto  
D903,768 S \* 12/2020 Tsuchiya ..... D21/333  
D907,119 S \* 1/2021 Zhou ..... D21/333  
D909,482 S \* 2/2021 Whitaker ..... D14/401  
D921,116 S \* 6/2021 Zhou ..... D21/333



(56)

**References Cited**

U.S. PATENT DOCUMENTS

D954,838 S *	6/2022	Kobayashi .....	D21/333
D954,839 S *	6/2022	Yu .....	D21/333
D956,873 S *	7/2022	Guo .....	D21/333
D958,252 S *	7/2022	Wang .....	D21/333
D958,253 S *	7/2022	Wang .....	D21/333
D958,254 S *	7/2022	Liu .....	D21/333
D958,889 S *	7/2022	Luo .....	D21/333
D958,891 S *	7/2022	Kobayashi .....	D21/333
D958,892 S *	7/2022	Kobayashi .....	D21/333
D958,893 S *	7/2022	Zhu .....	D21/333

\* cited by examiner

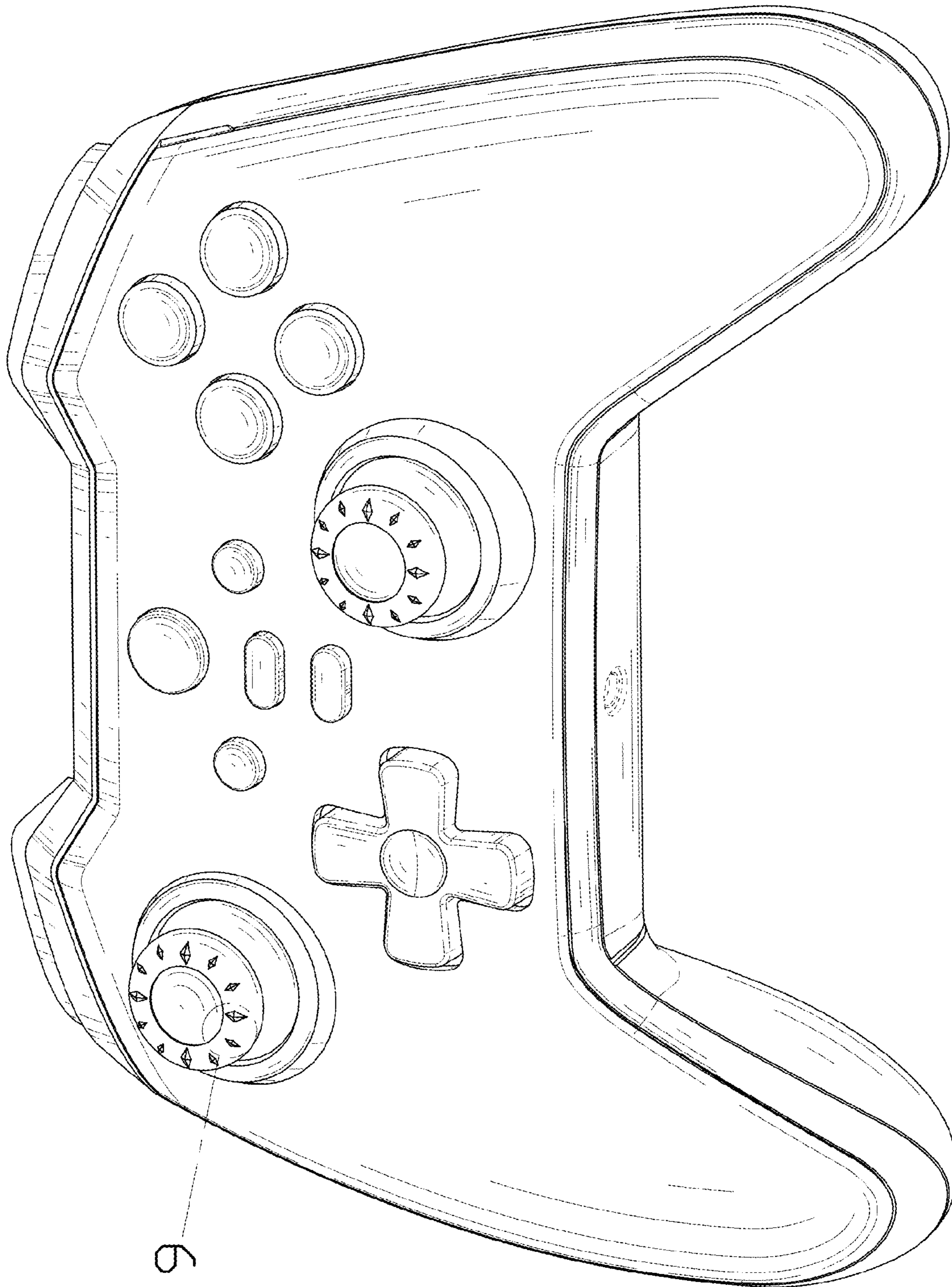


FIG. 1

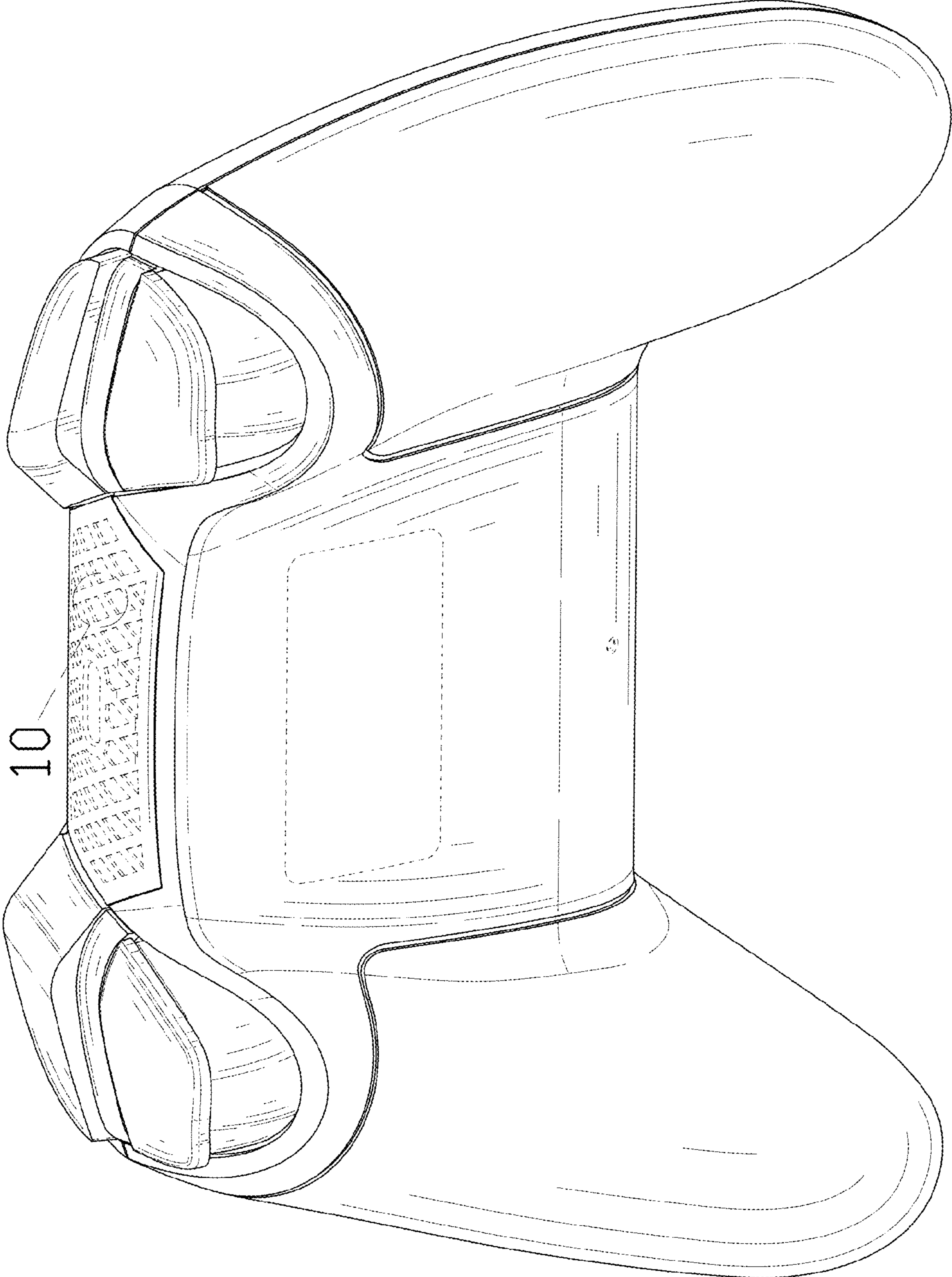


FIG. 2

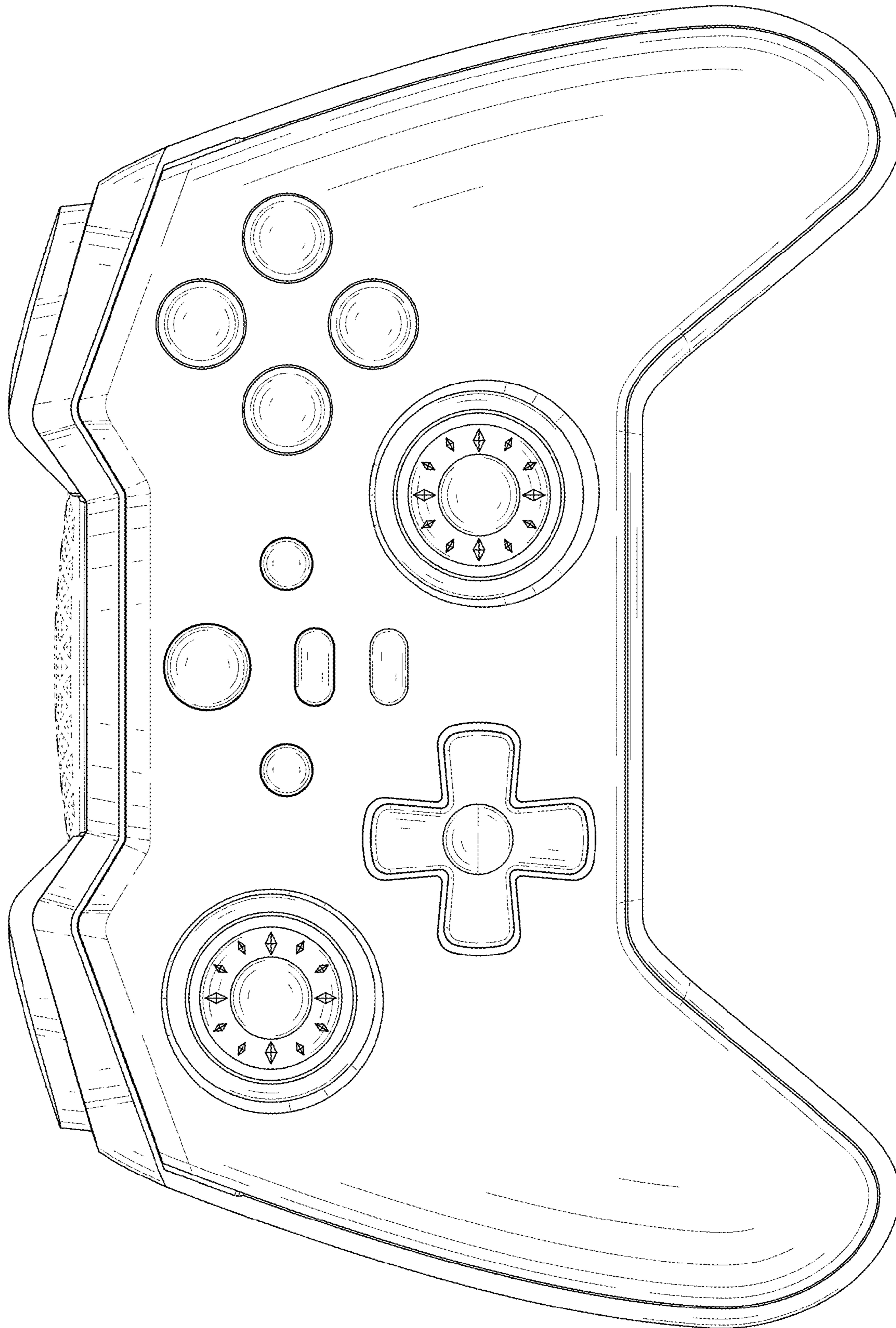


FIG. 3

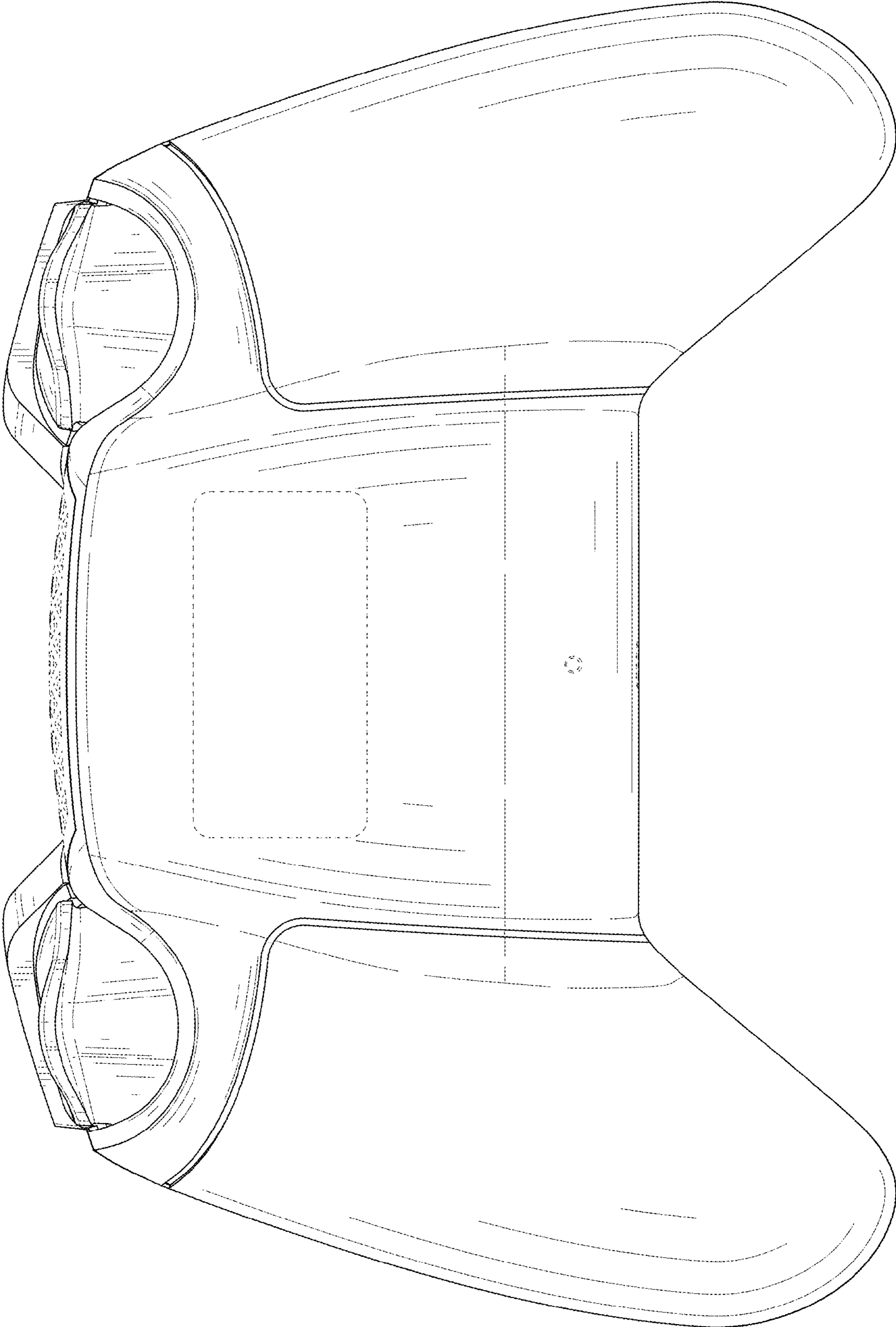


FIG. 4

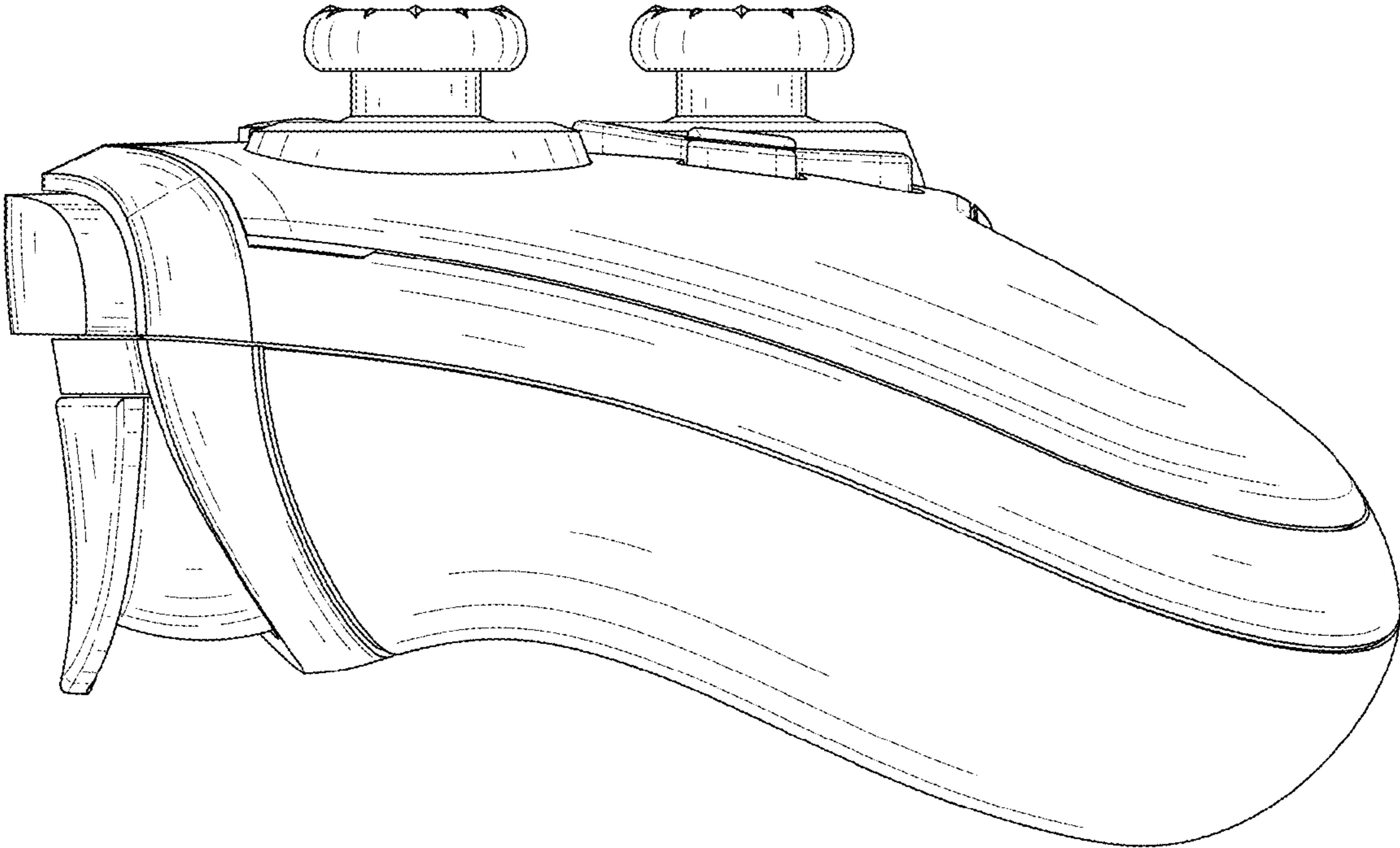


FIG. 5

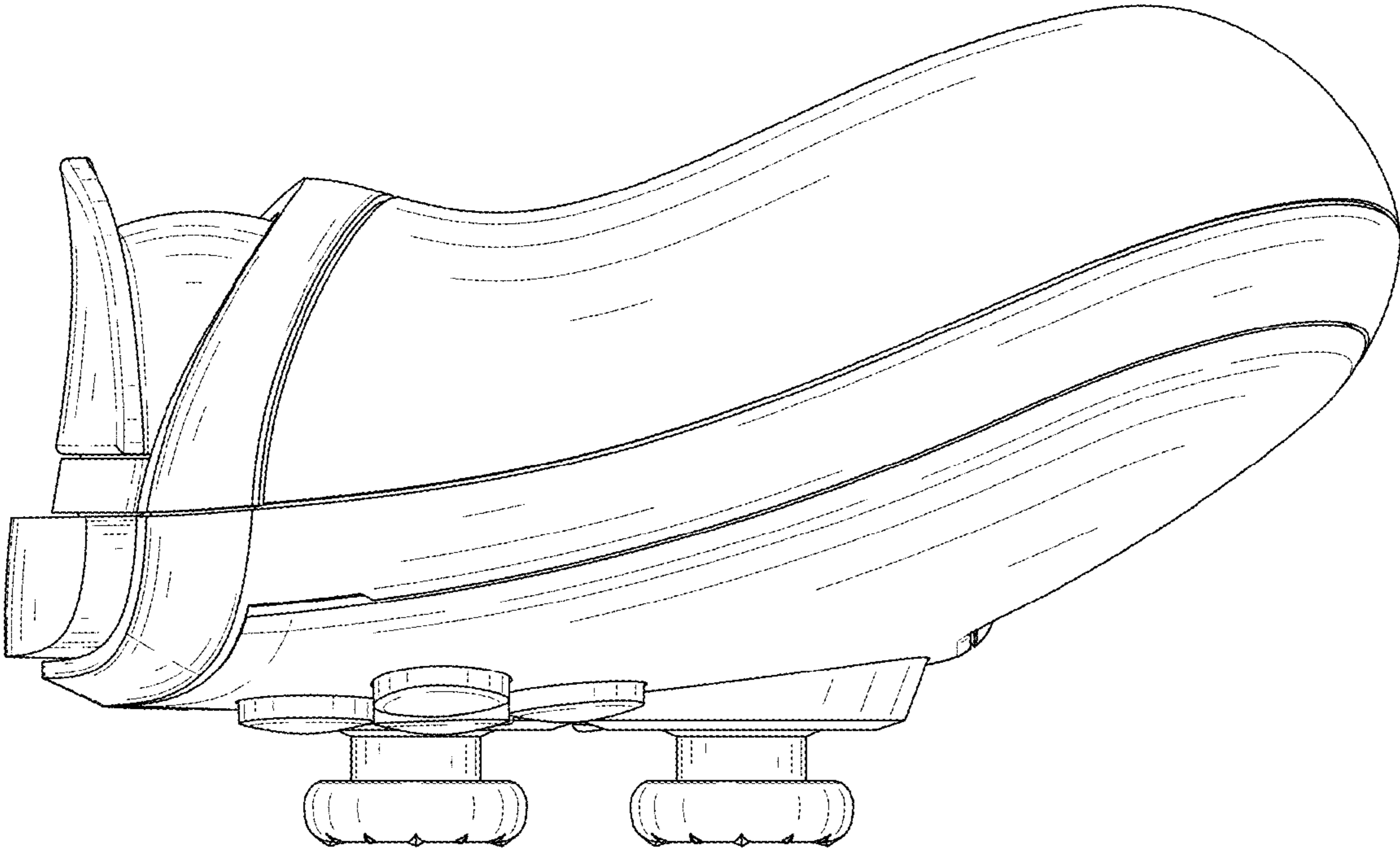


FIG. 6



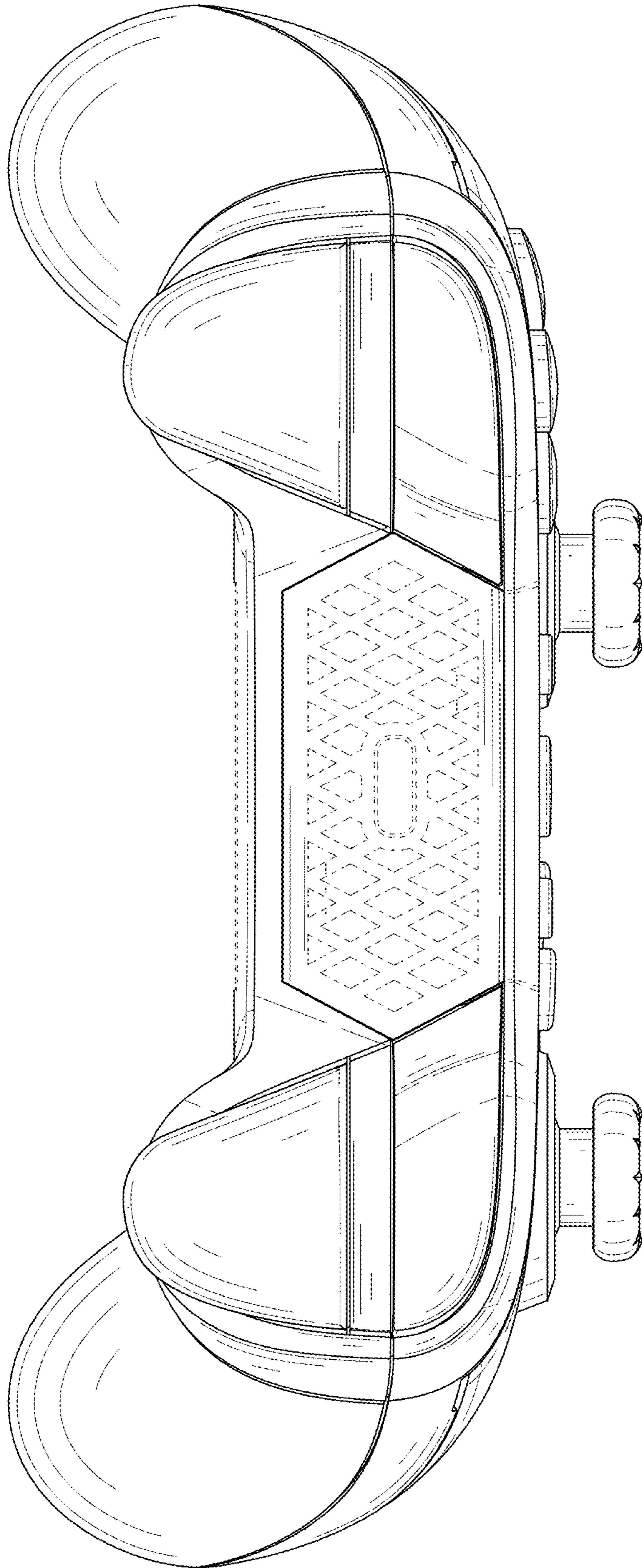


FIG. 7

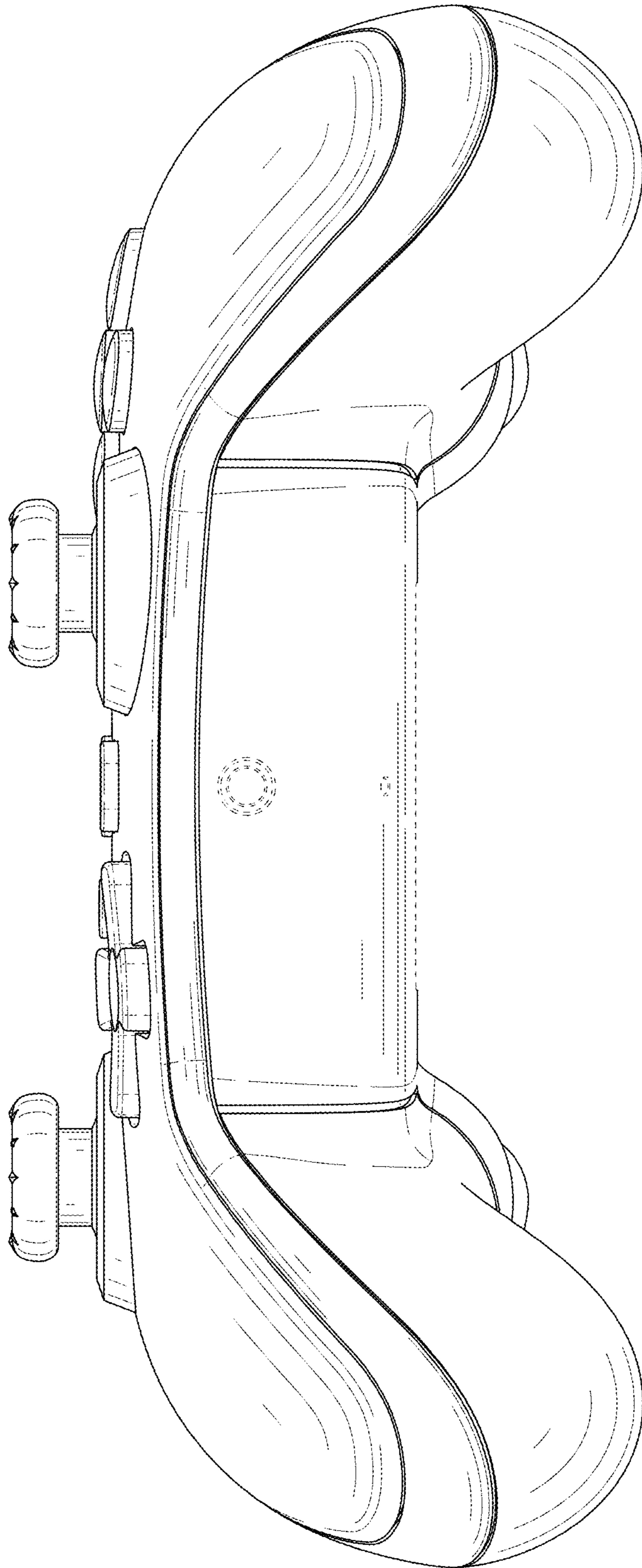


FIG. 8

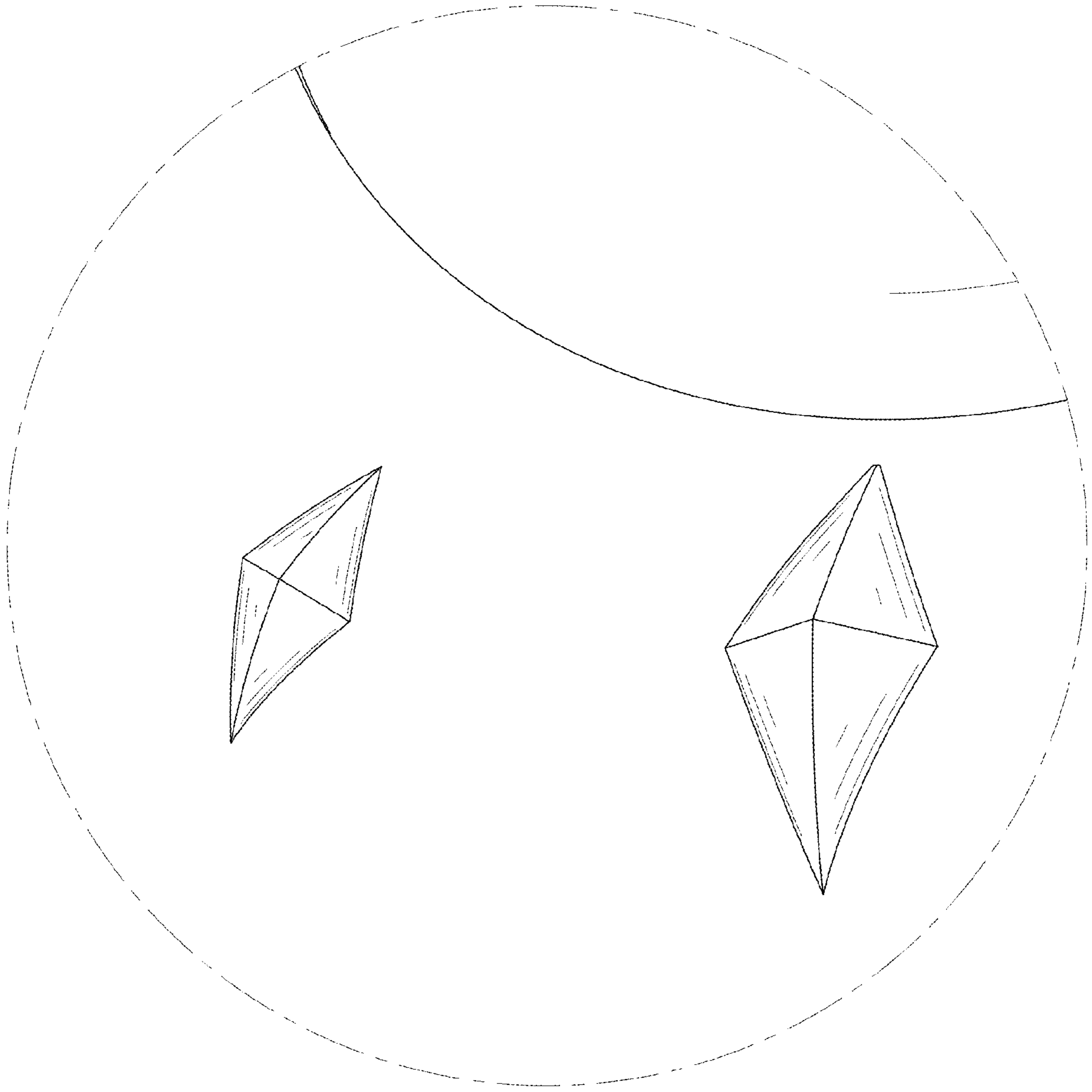


FIG. 9

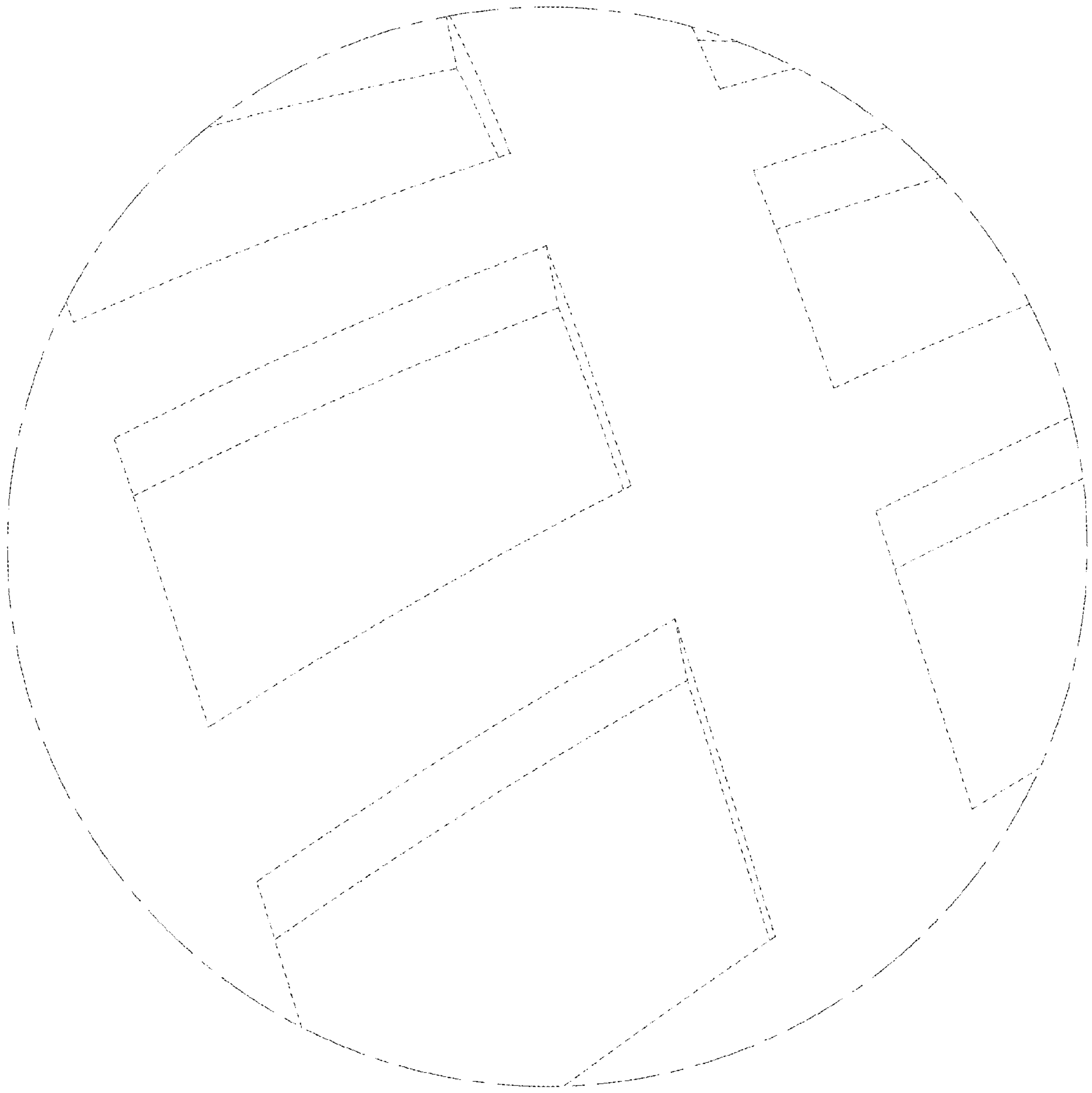


FIG. 10