



US00D978968S

(12) **United States Design Patent**
Wu

(10) **Patent No.:** **US D978,968 S**

(45) **Date of Patent:** **** Feb. 21, 2023**

(54) **TOY**
(71) Applicant: **Zuo Wu**, Harbin (CN)
(72) Inventor: **Zuo Wu**, Harbin (CN)
(**) Term: **15 Years**

(21) Appl. No.: **29/778,556**
(22) Filed: **Apr. 14, 2021**
(51) **LOC (14) Cl.** **21-01**
(52) **U.S. Cl.**
USPC **D21/333**
(58) **Field of Classification Search**
USPC D21/333, 405-441, 443, 444, 512-517,
D21/566; D14/137-139, 217, 218, 247,
D14/299, 340, 434, 454-457, 825;
D12/20, 306, 500, 503; D13/162-164,
D13/168; D10/104, 149; D24/169, 187
CPC A63F 2300/8047; A63F 2300/1062; A63F
13/44; A63F 2300/1068; A63F 13/814;
A63F 13/214; A63F 13/245; G10D 13/26
See application file for complete search history.

(56) **References Cited**

U.S. PATENT DOCUMENTS

D253,786 S	*	12/1979	Montague	D21/324
D259,937 S	*	7/1981	Heuel	D21/324
D325,582 S	*	4/1992	Emmons	D14/218
D521,460 S	*	5/2006	Shimizu	D13/168
D601,564 S	*	10/2009	Maeno	D21/333
D601,565 S	*	10/2009	Maeno	D21/333

D643,412 S	*	8/2011	Brady	D14/218
D840,361 S	*	2/2019	Gassner	D13/168
D876,400 S	*	2/2020	Russo	D14/228
D904,981 S	*	12/2020	Worthy	D13/110
D928,150 S	*	8/2021	Maruyama	D21/333
2004/0159223 A1	*	8/2004	Kiyono	G10D 13/26 84/723

* cited by examiner

Primary Examiner — Mehri F Bajoul

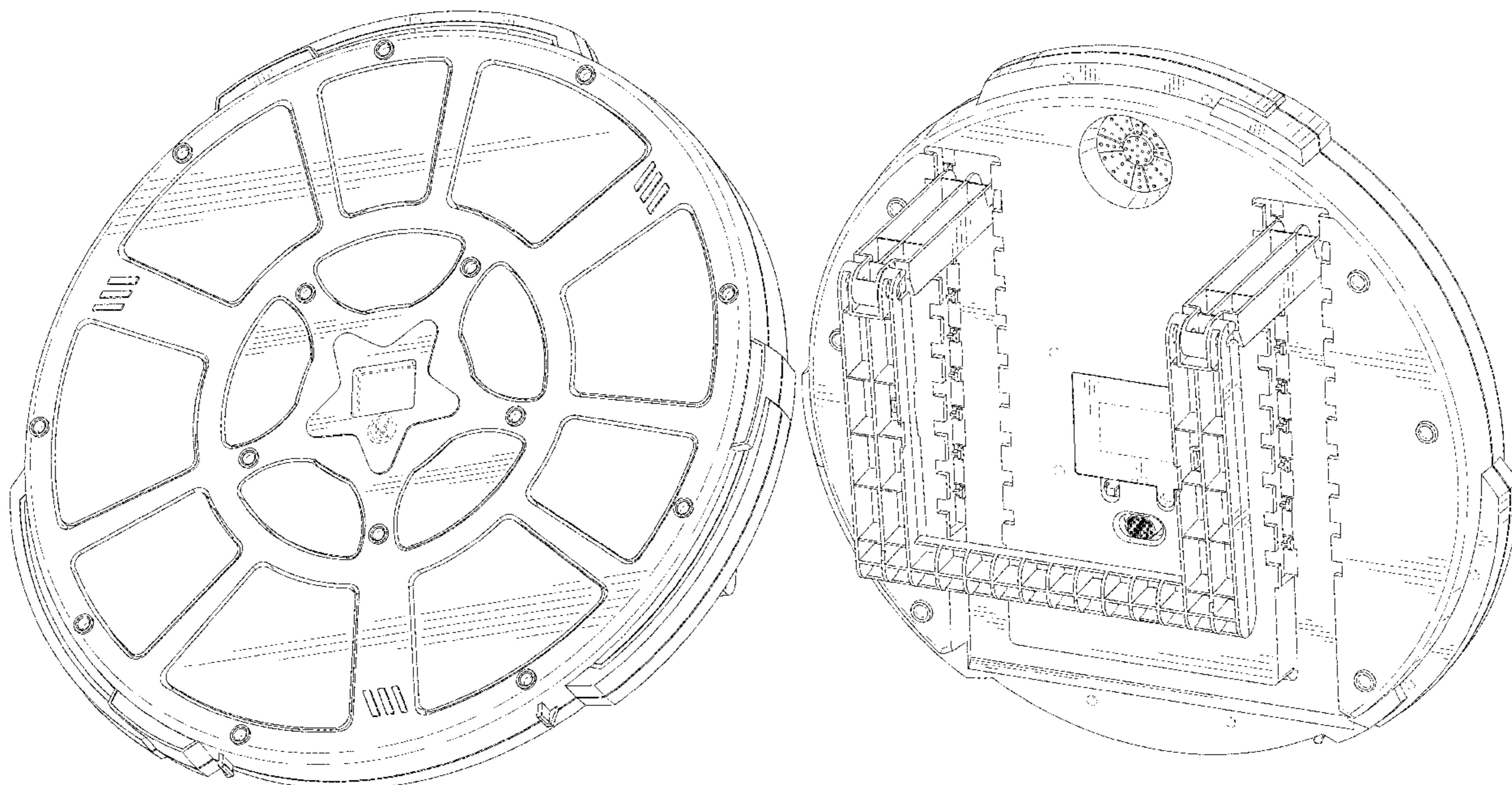
(57) **CLAIM**

The ornamental design for a toy, as shown and described.

DESCRIPTION

FIG. 1 is a perspective view of a toy showing my new design;
FIG. 2 is another perspective view thereof;
FIG. 3 is a front elevational view thereof;
FIG. 4 is a rear elevational view thereof;
FIG. 5 is a left side elevational view thereof;
FIG. 6 is a right side elevational view thereof;
FIG. 7 is a top plan view thereof;
FIG. 8 is a bottom plan view thereof;
FIG. 9 is a perspective view of the toy where the toy in a first configuration of use; and,
FIG. 10 is a perspective view of the toy where the toy is in a second configuration of use.
The broken lines in the drawings depict portions of the toy that form no part of the claimed design.

1 Claim, 10 Drawing Sheets



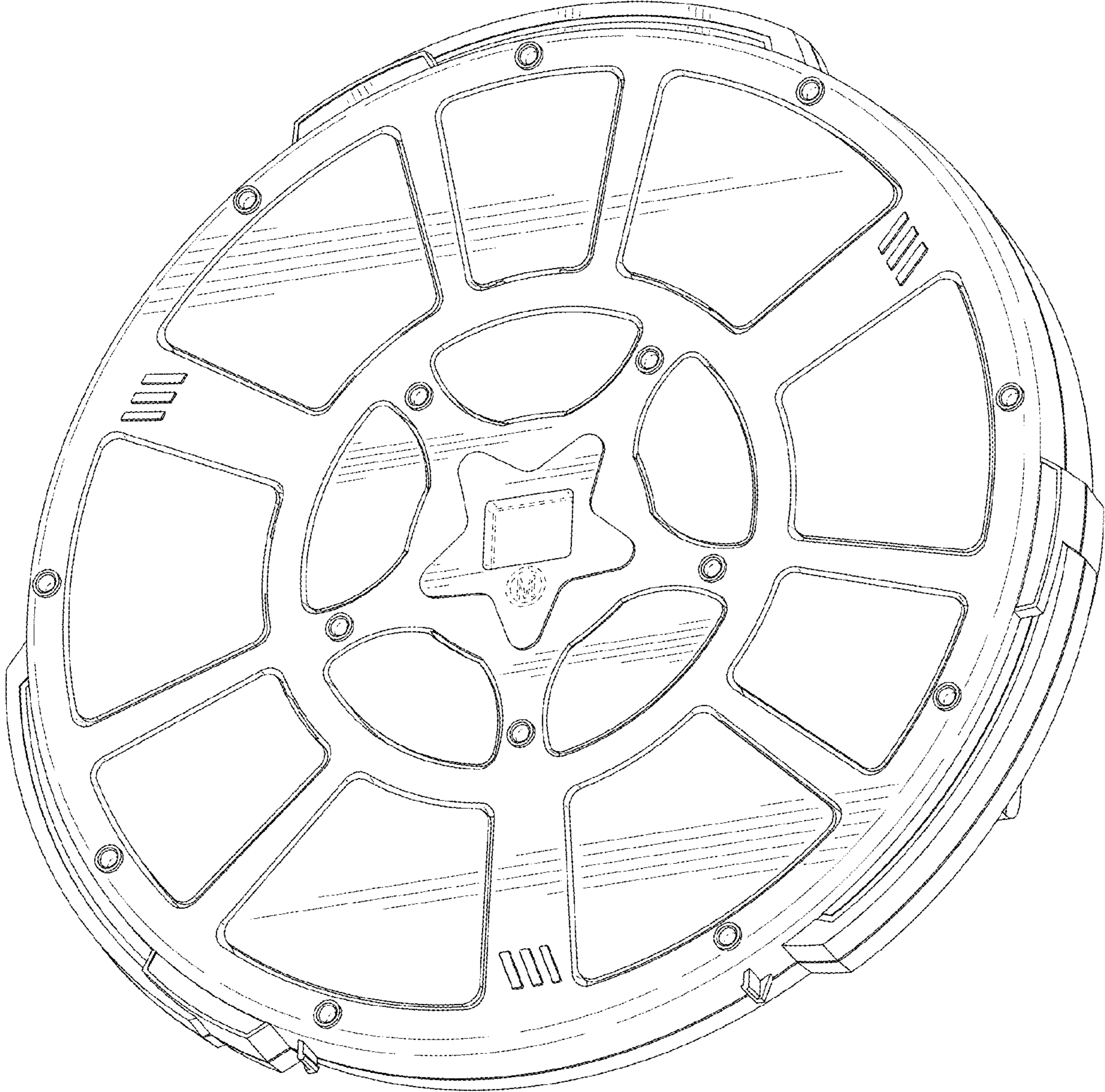


FIG. 1

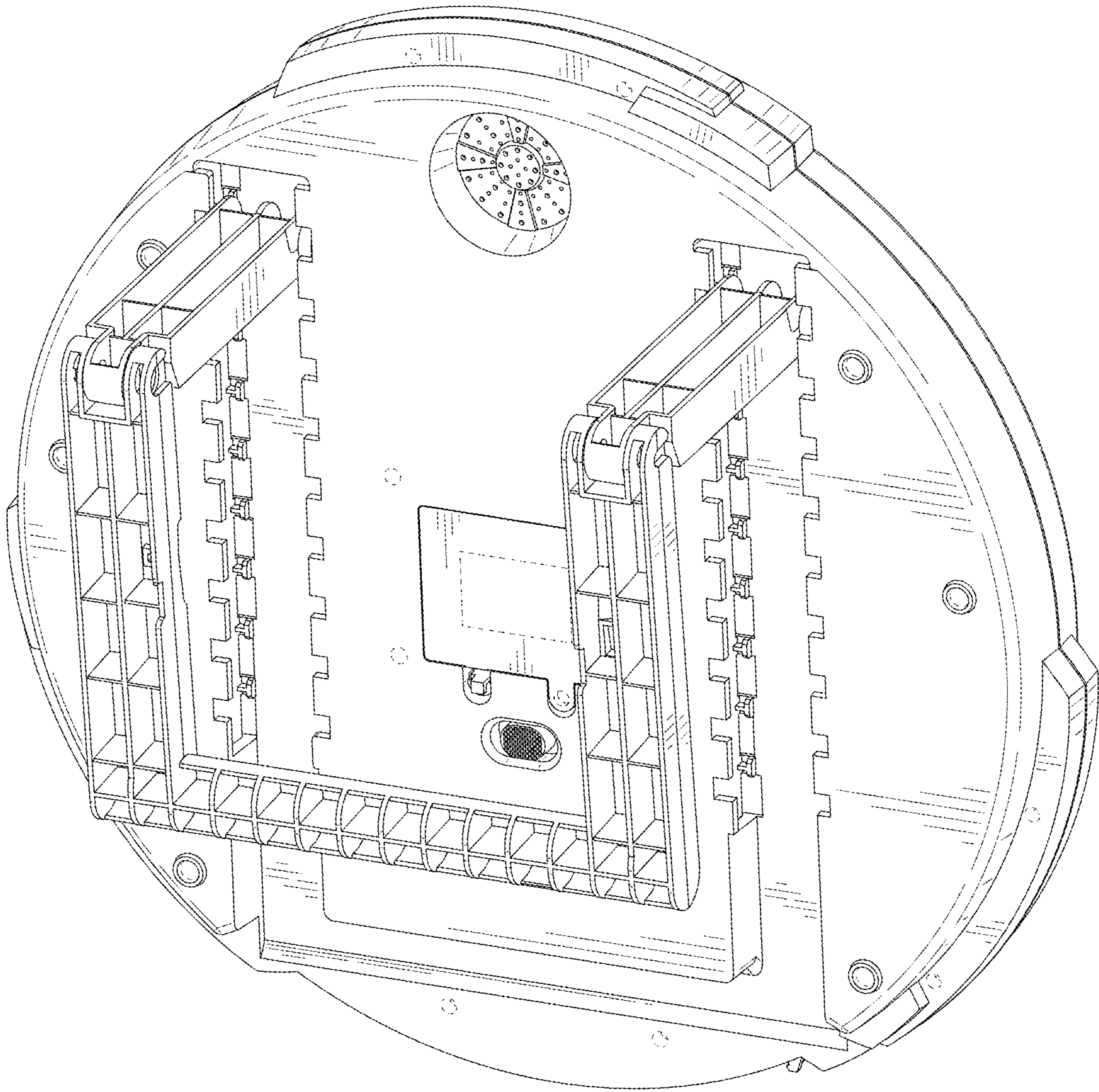


FIG. 2

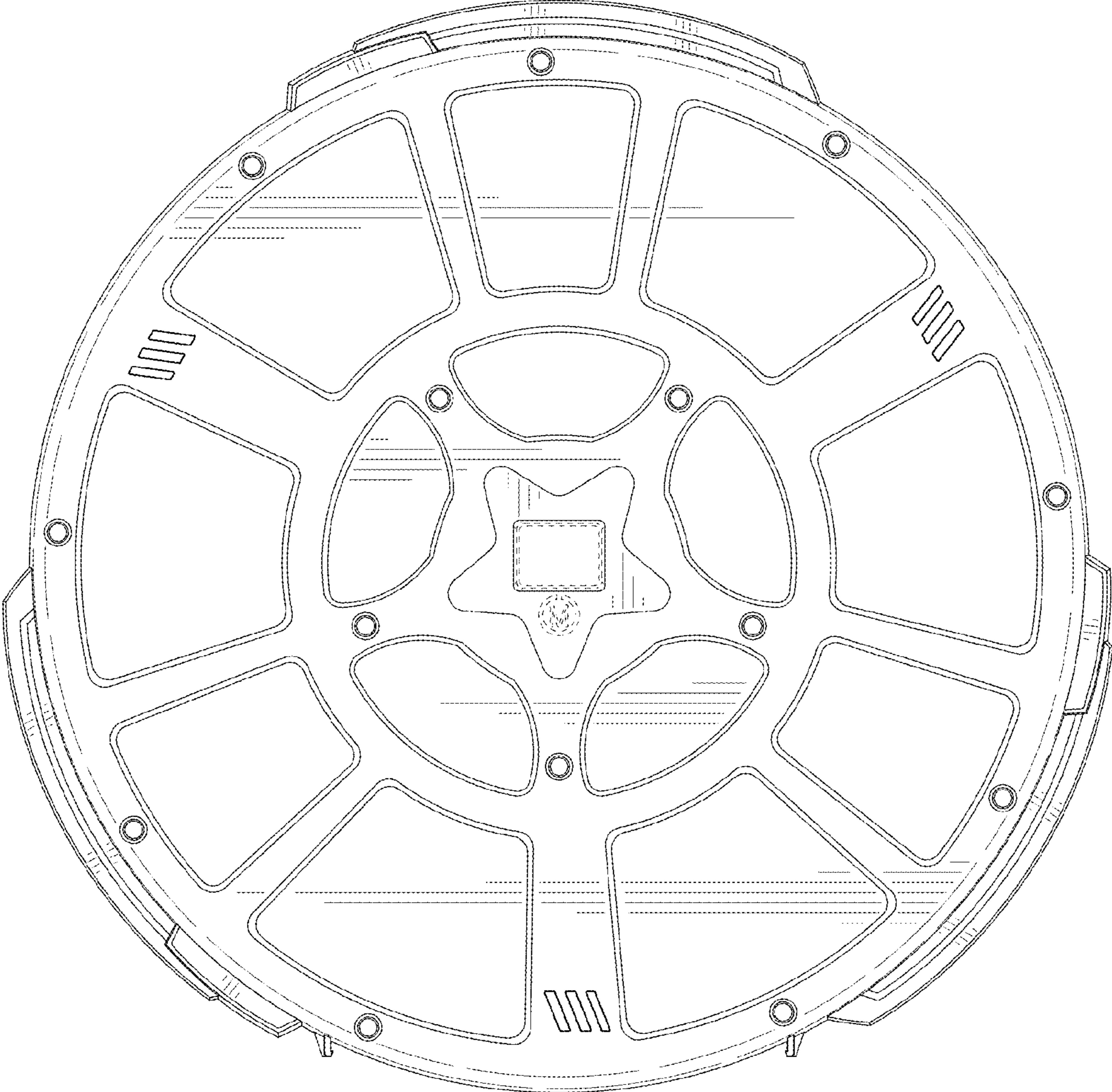


FIG. 3

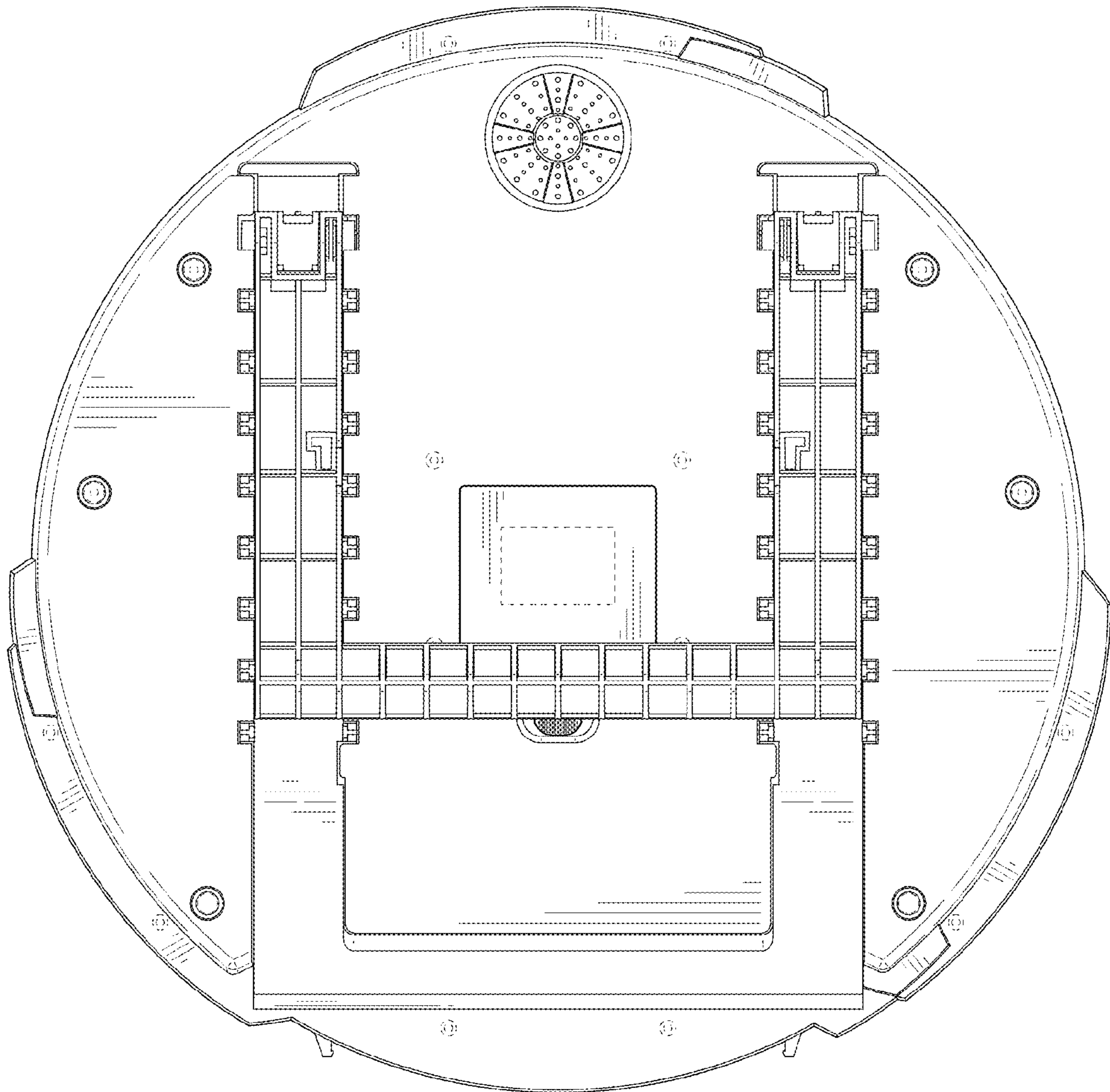


FIG. 4

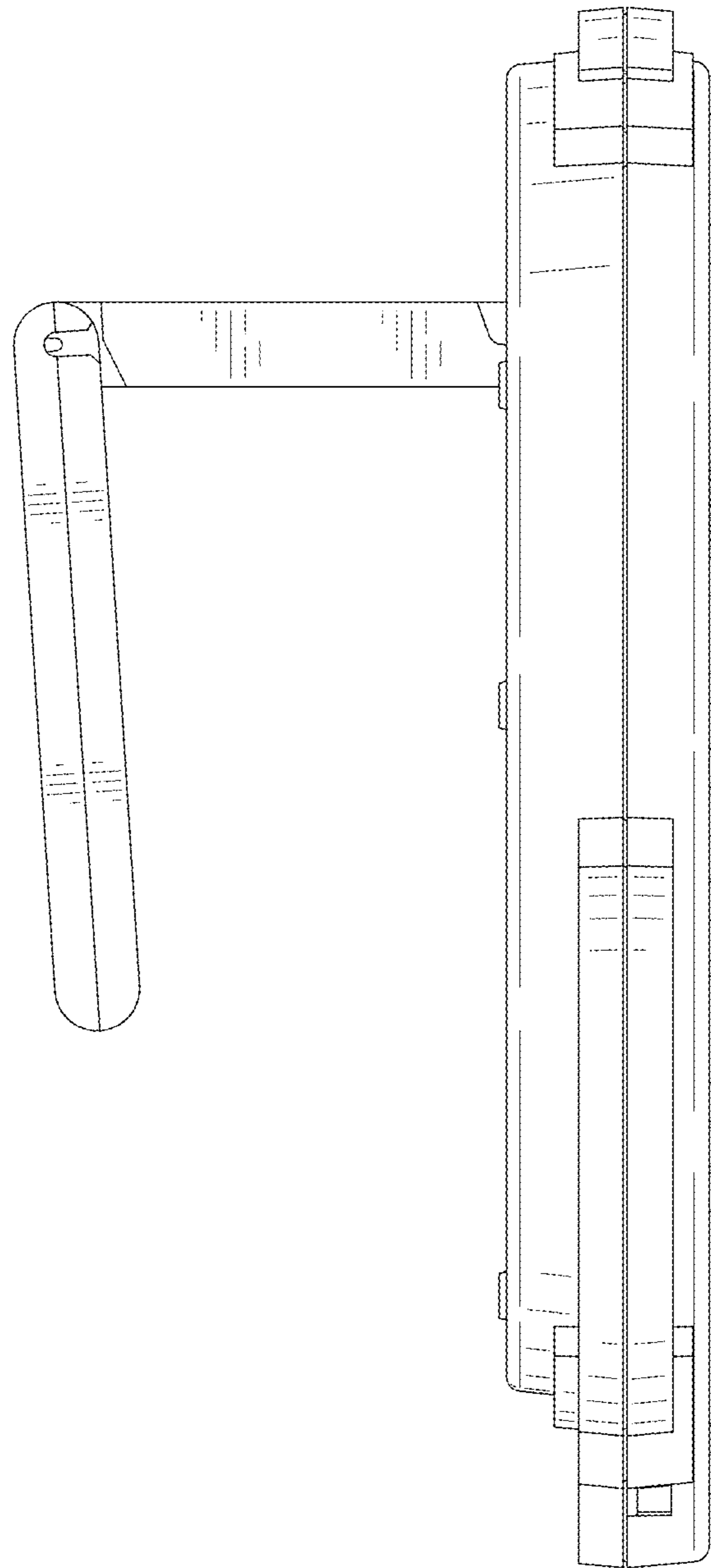


FIG. 5

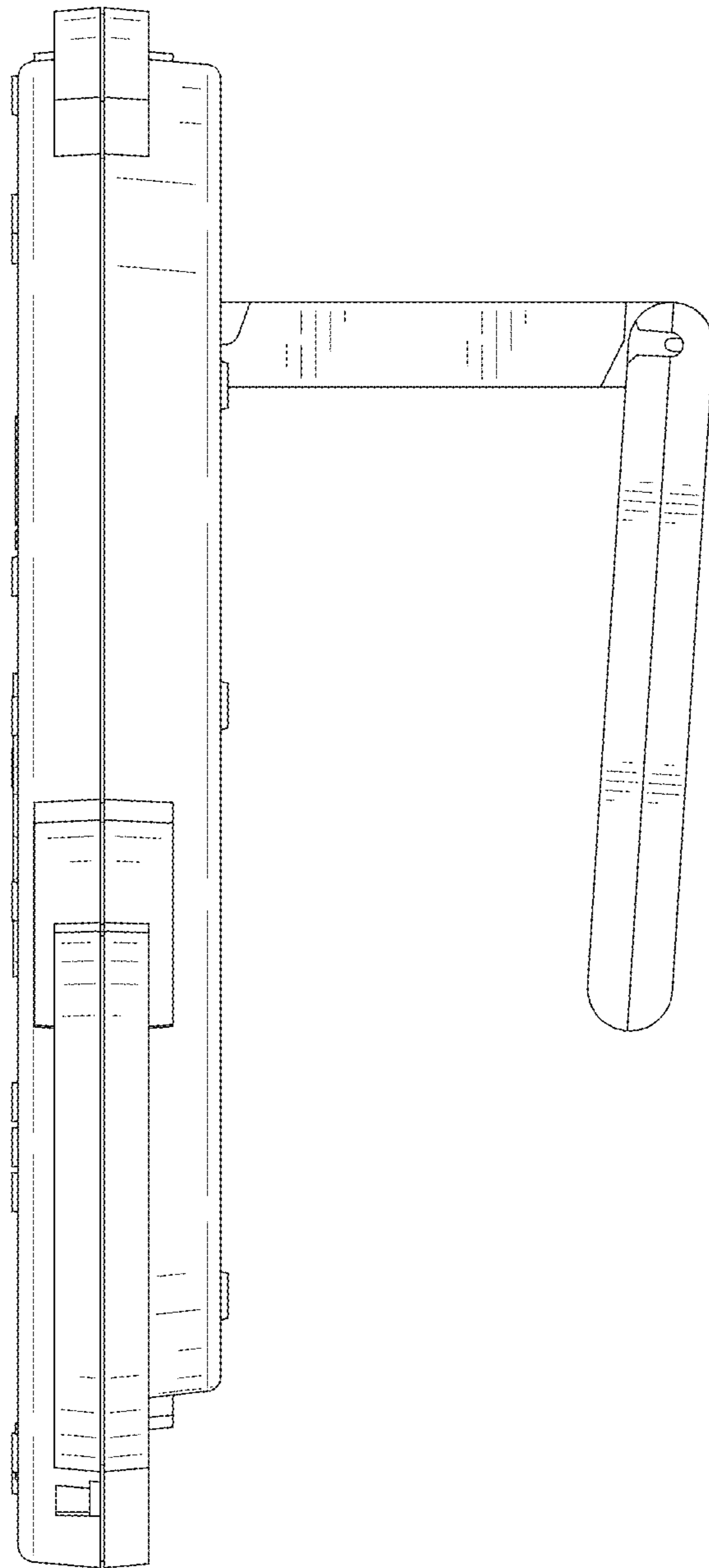


FIG. 6

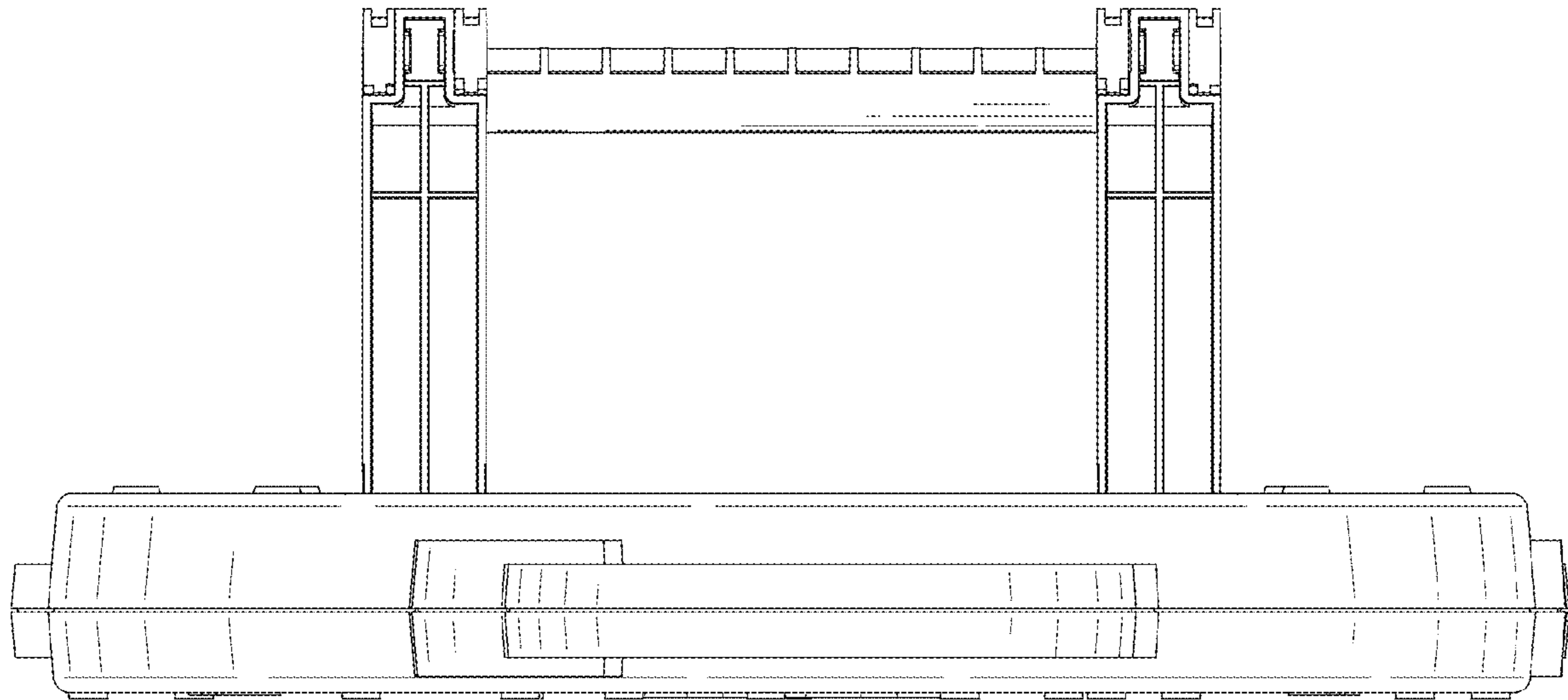


FIG. 7

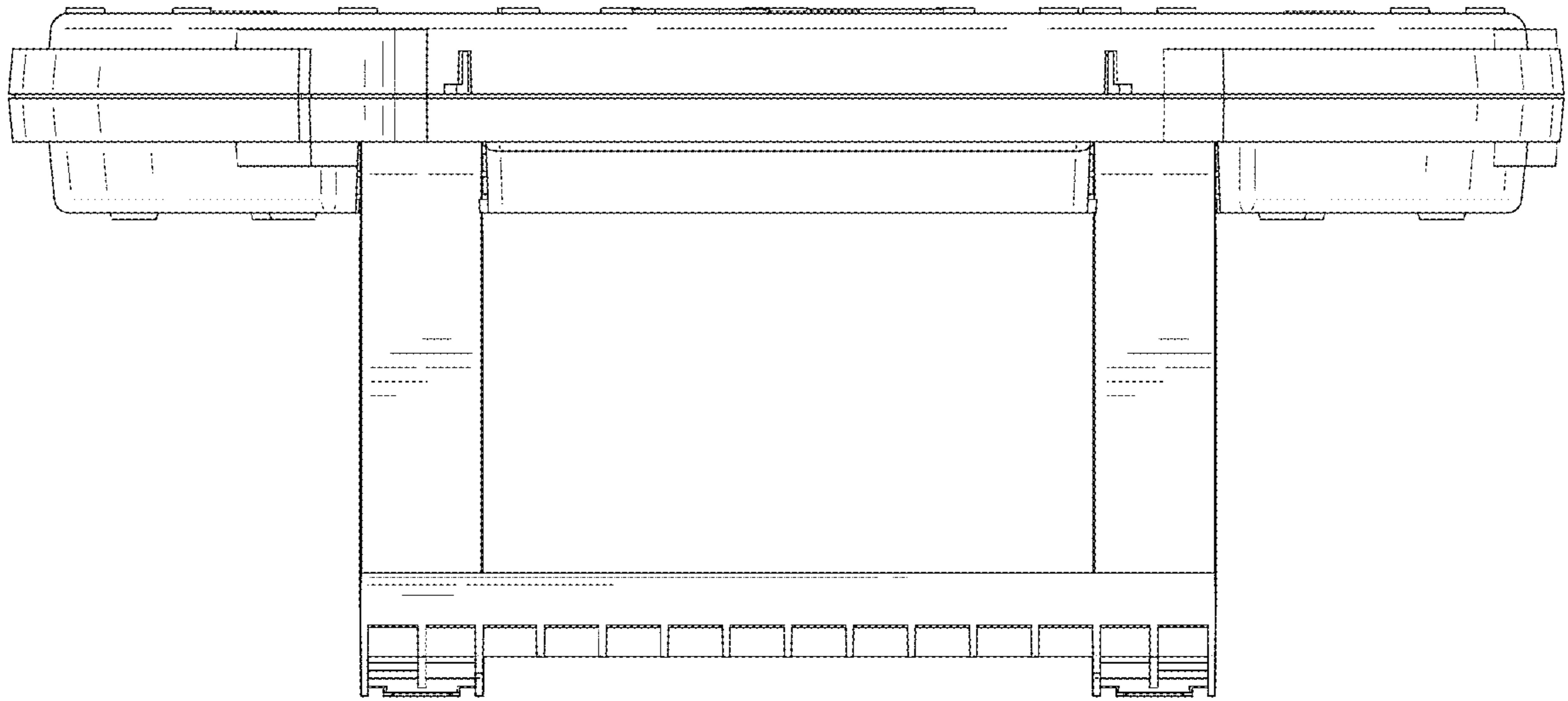


FIG. 8

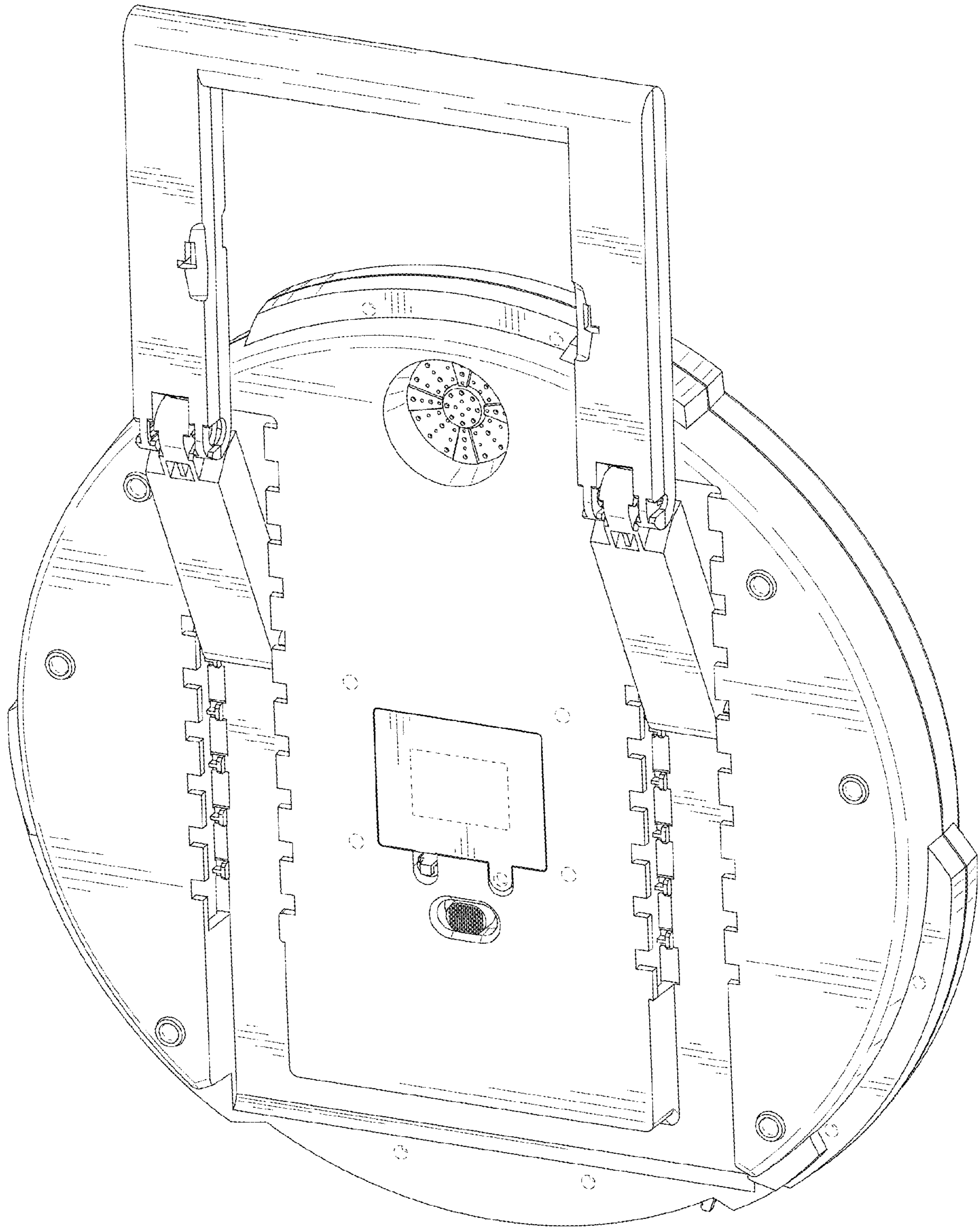


FIG. 9

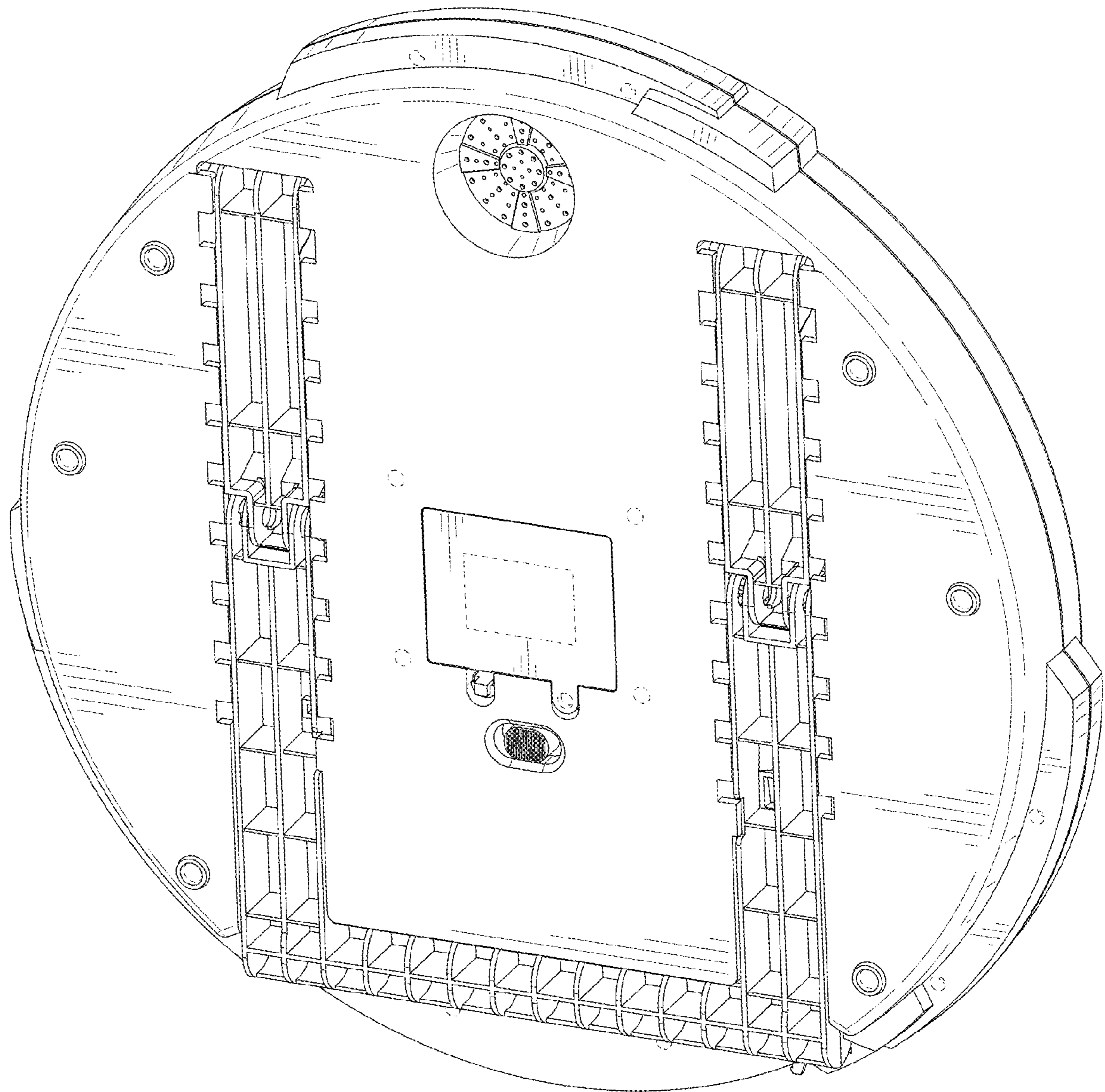


FIG. 10