



US00D978967S

(12) **United States Design Patent**
Ghahramanian

(10) **Patent No.:** **US D978,967 S**

(45) **Date of Patent:** **** Feb. 21, 2023**

- (54) **GAMING SIMULATOR FRAME**
- (71) Applicant: **Next Level Racing Simulations Pty Ltd, Southport (AU)**
- (72) Inventor: **Hessam Ghahramanian, Southport (AU)**
- (73) Assignee: **Next Level Racing Simulations Pty Ltd, Southport (AU)**
- (**) Term: **15 Years**
- (21) Appl. No.: **29/773,191**
- (22) Filed: **Mar. 8, 2021**
- (51) **LOC (14) Cl.** **21-01**
- (52) **U.S. Cl.**
USPC **D21/326; D21/333**
- (58) **Field of Classification Search**
USPC D21/312, 320, 324, 325, 326, 327, 329, D21/333, 349, 351, 352, 353, 534, 355, D21/366, 369, 370, 371, 385, 426, 427, D21/430, 471, 477, 695, 696, 814; D6/335, 356, 366, 367, 368, 716; D12/87, 112, 378.12
CPC A63B 71/00; A47C 1/121; A47C 7/40; A47C 1/026; A47C 7/5068; A47C 7/50; A63F 13/803; G09B 9/02; G09B 9/08; B62D 25/00; B62D 39/00; G04F 7/06; A63G 25/00
See application file for complete search history.

- D544,923 S * 6/2007 Brase D21/333
- D651,815 S * 1/2012 Smit D6/336
- D656,553 S * 3/2012 Blaskov D21/333
- D701,917 S * 4/2014 Ghahramanian D21/333
- D856,020 S * 8/2019 Ghahramanian D6/367
- D912,733 S * 3/2021 Ghahramanian D21/333
- D930,748 S * 9/2021 Ghahramanian D21/326
- D931,373 S * 9/2021 Ghahramanian D21/326
- D936,744 S * 11/2021 Singanallur Murali D21/333

(Continued)

Primary Examiner — Mehri F Bajoul

(74) *Attorney, Agent, or Firm* — Fox Rothschild LLP

(57) **CLAIM**

The ornamental design for a gaming simulator frame, as shown and described.

DESCRIPTION

FIG. 1 is a top left rear perspective view of a gaming simulator frame of a first configuration showing my new design;

FIG. 2 is a bottom rear left perspective view of the first configuration.

FIG. 3 is a top view of the first configuration;

FIG. 4 is a bottom view of the first configuration;

FIG. 5 is a front view of the first configuration;

FIG. 6 is a rear view of the first configuration;

FIG. 7 is a left view of the first configuration;

FIG. 8 is a right view of the first configuration;

FIG. 9 is an upper perspective view of a second configuration of the gaming simulator frame;

FIG. 10 is a lower perspective view of the second configuration;

FIG. 11 is a top view of the second configuration;

FIG. 12 is a bottom view of the second configuration;

FIG. 13 is a front view of the second configuration;

FIG. 14 is a rear view of the second configuration;

FIG. 15 is a left view of the second configuration; and

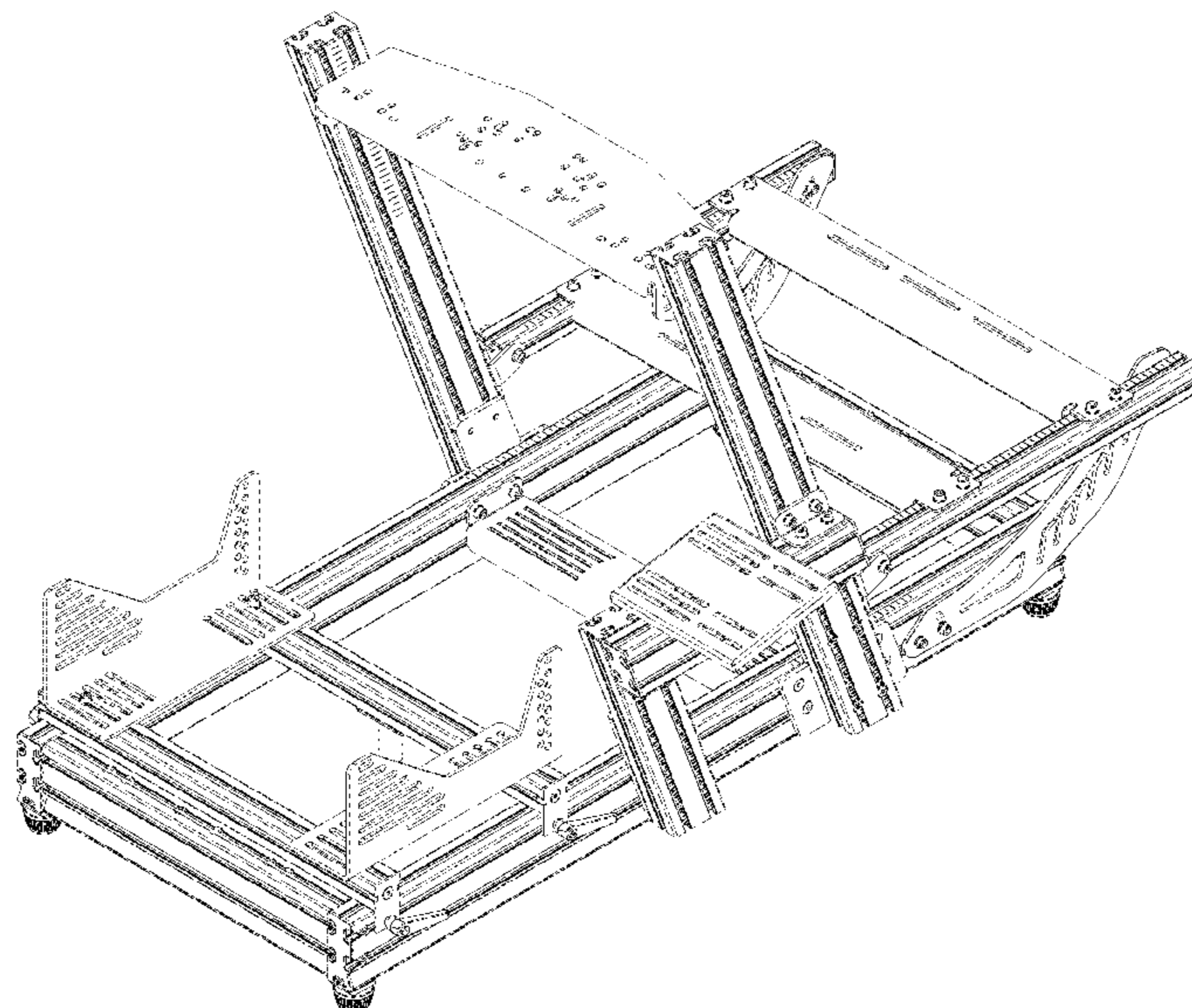
FIG. 16 is a right view of the second configuration.

1 Claim, 14 Drawing Sheets

(56) **References Cited**

U.S. PATENT DOCUMENTS

- D243,627 S * 3/1977 Glower D21/426
- D392,688 S * 3/1998 Isetani D21/326
- 5,853,330 A * 12/1998 Engstrand G09B 9/02
472/60
- D465,343 S * 11/2002 Daneault D6/338
- D467,977 S * 12/2002 Gatto D21/326



(56)

References Cited

U.S. PATENT DOCUMENTS

D967,272 S * 10/2022 Jackermeier D21/333
D970,628 S * 11/2022 Yan D21/333

* cited by examiner

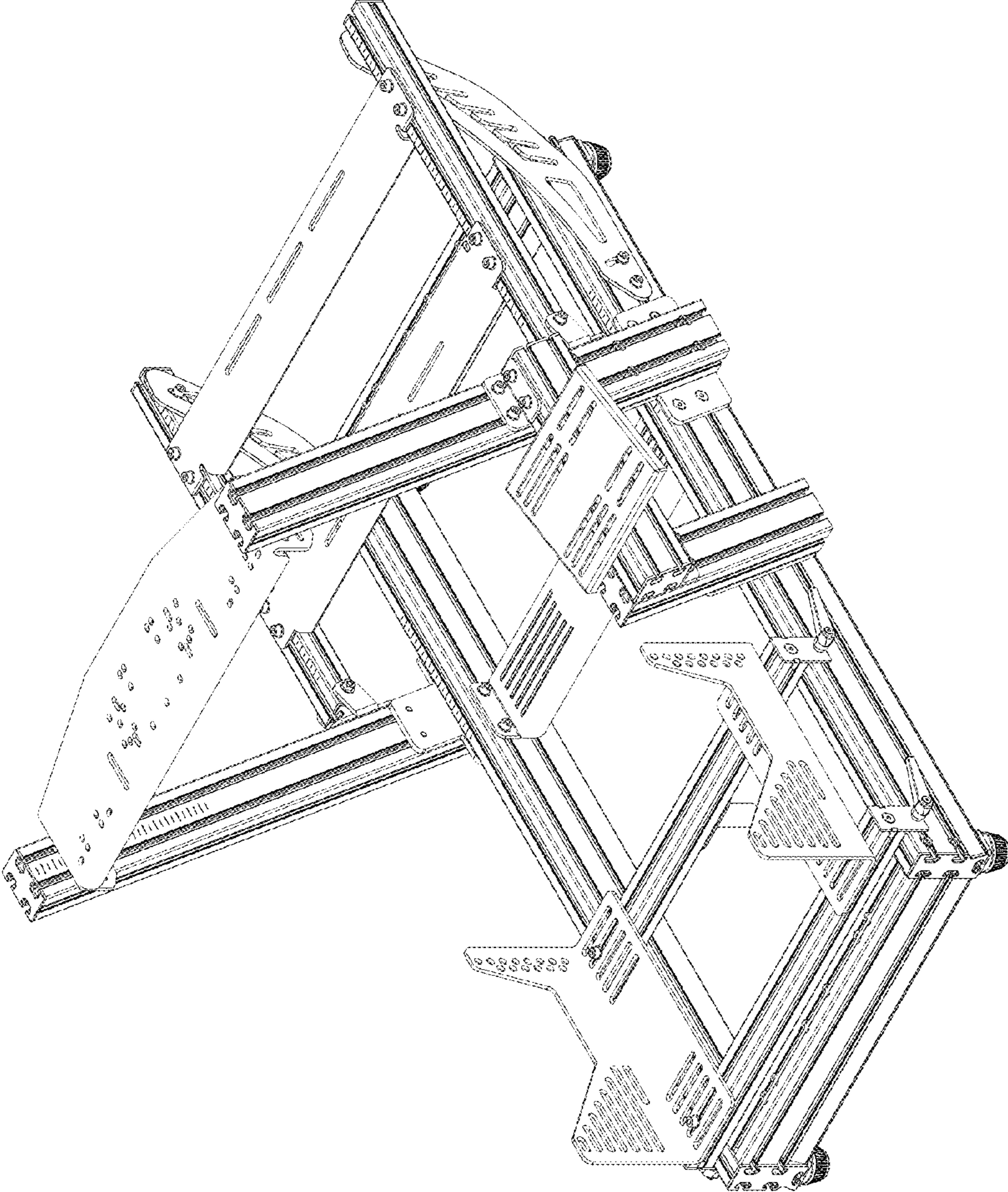


FIG. 1

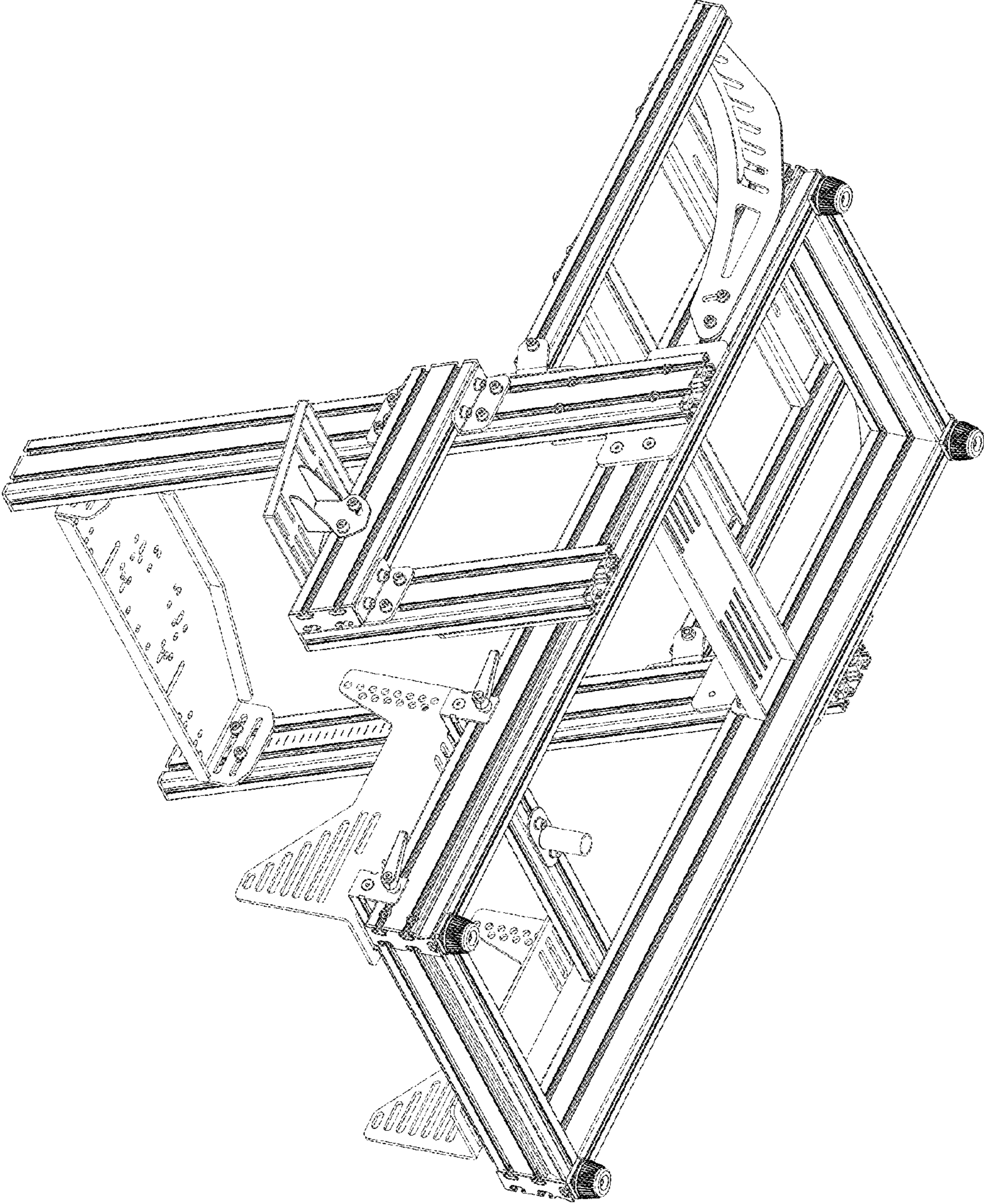


FIG. 2

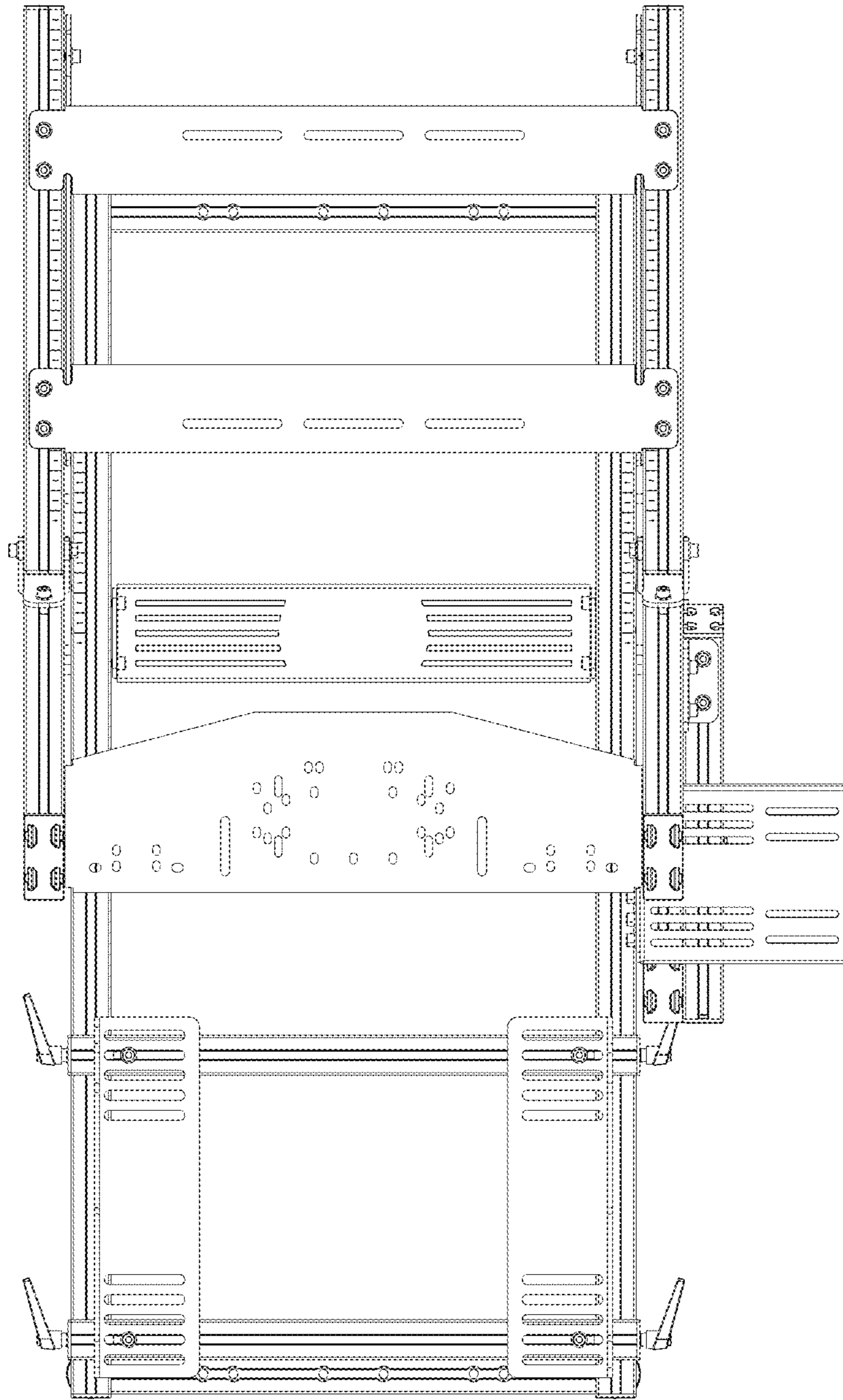


FIG. 3

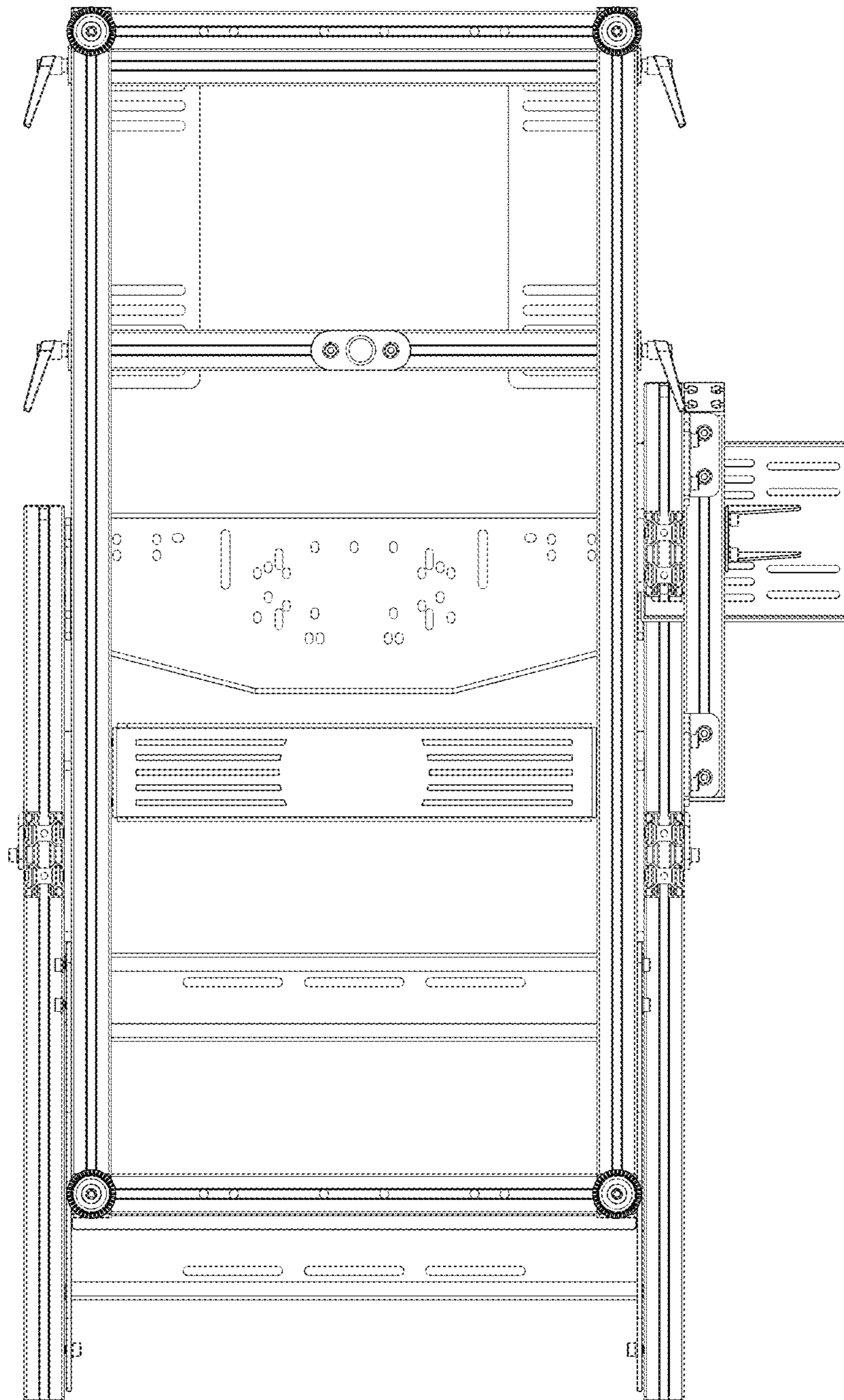


FIG. 4

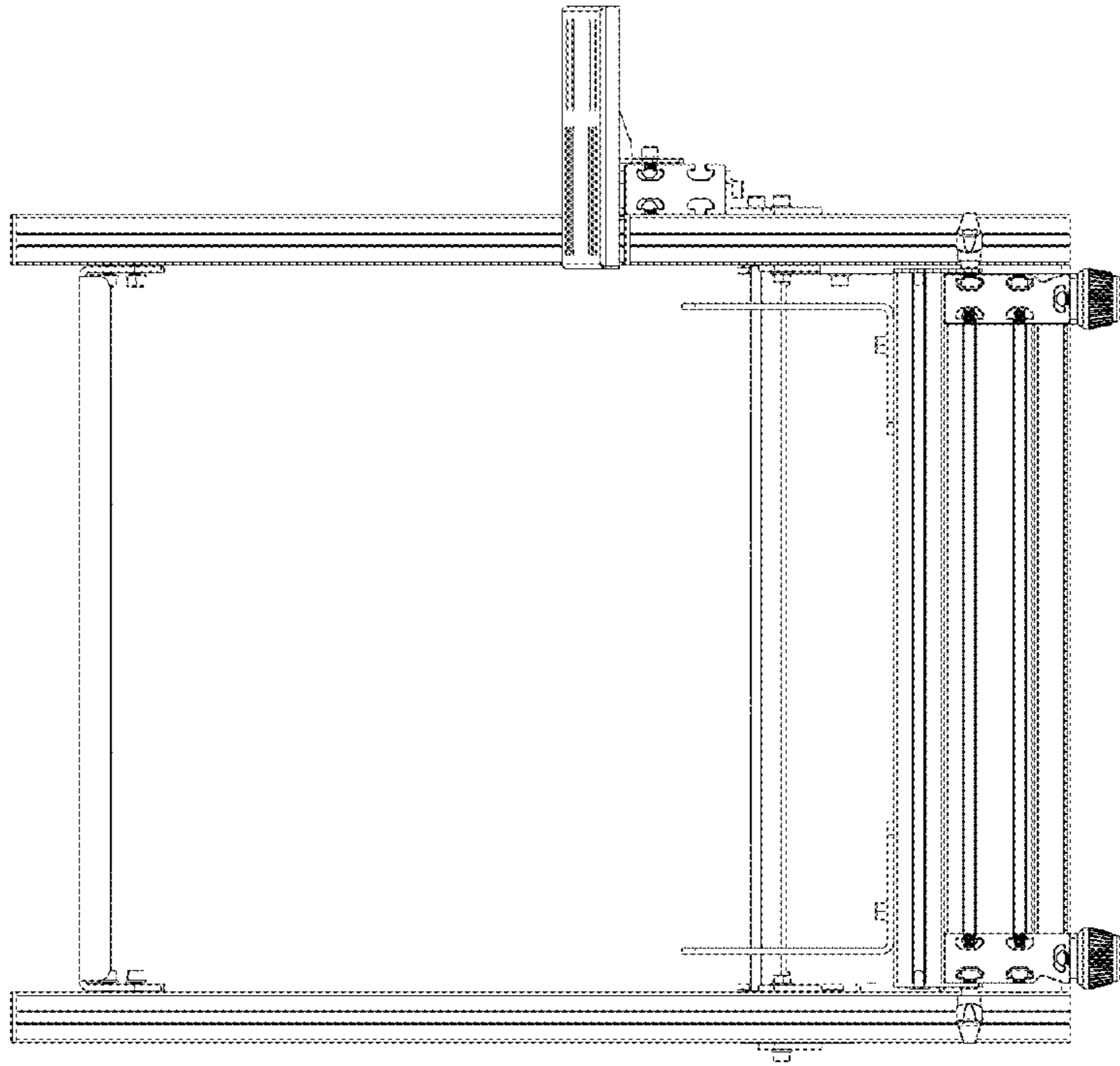


FIG. 6

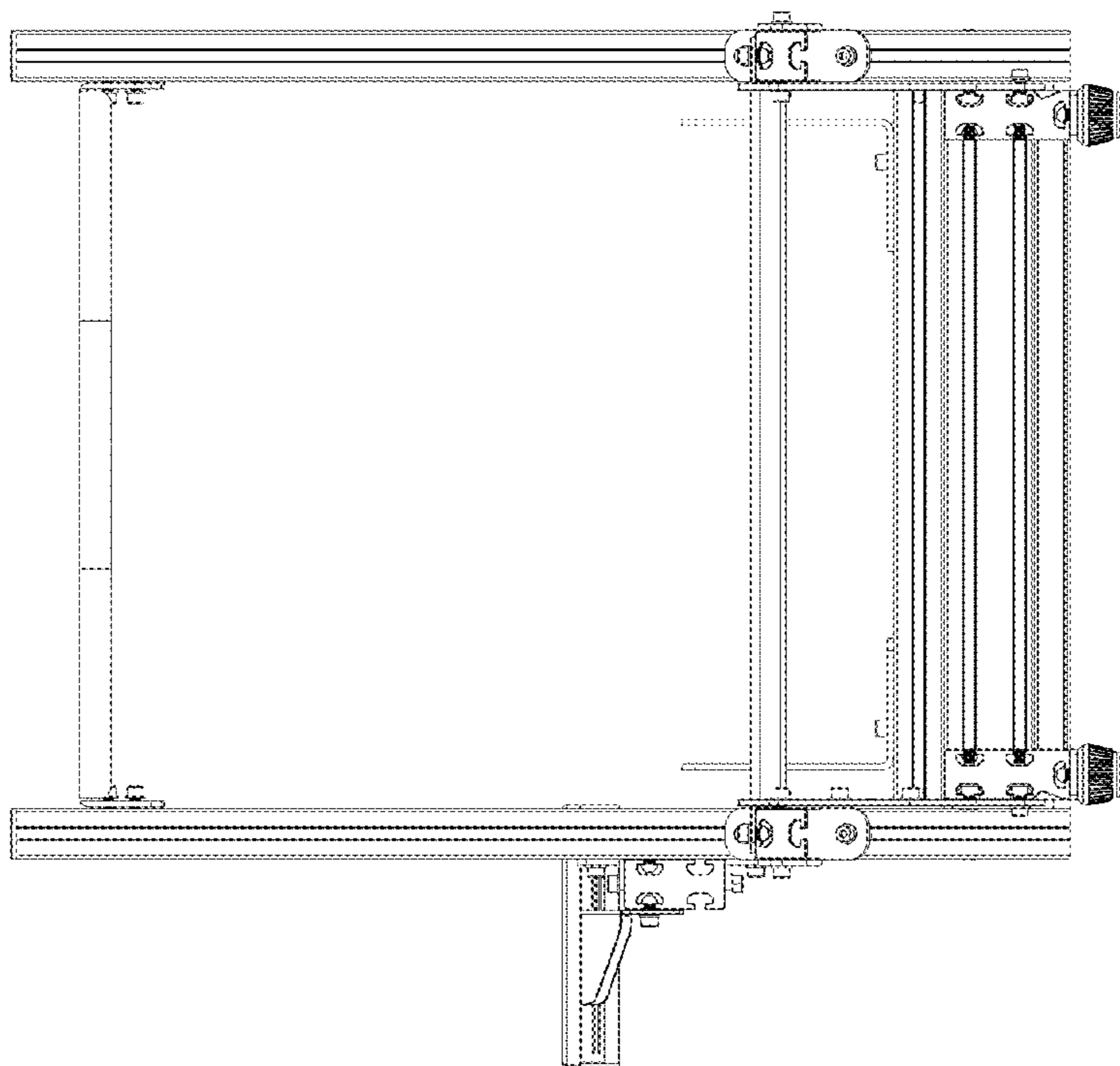


FIG. 5

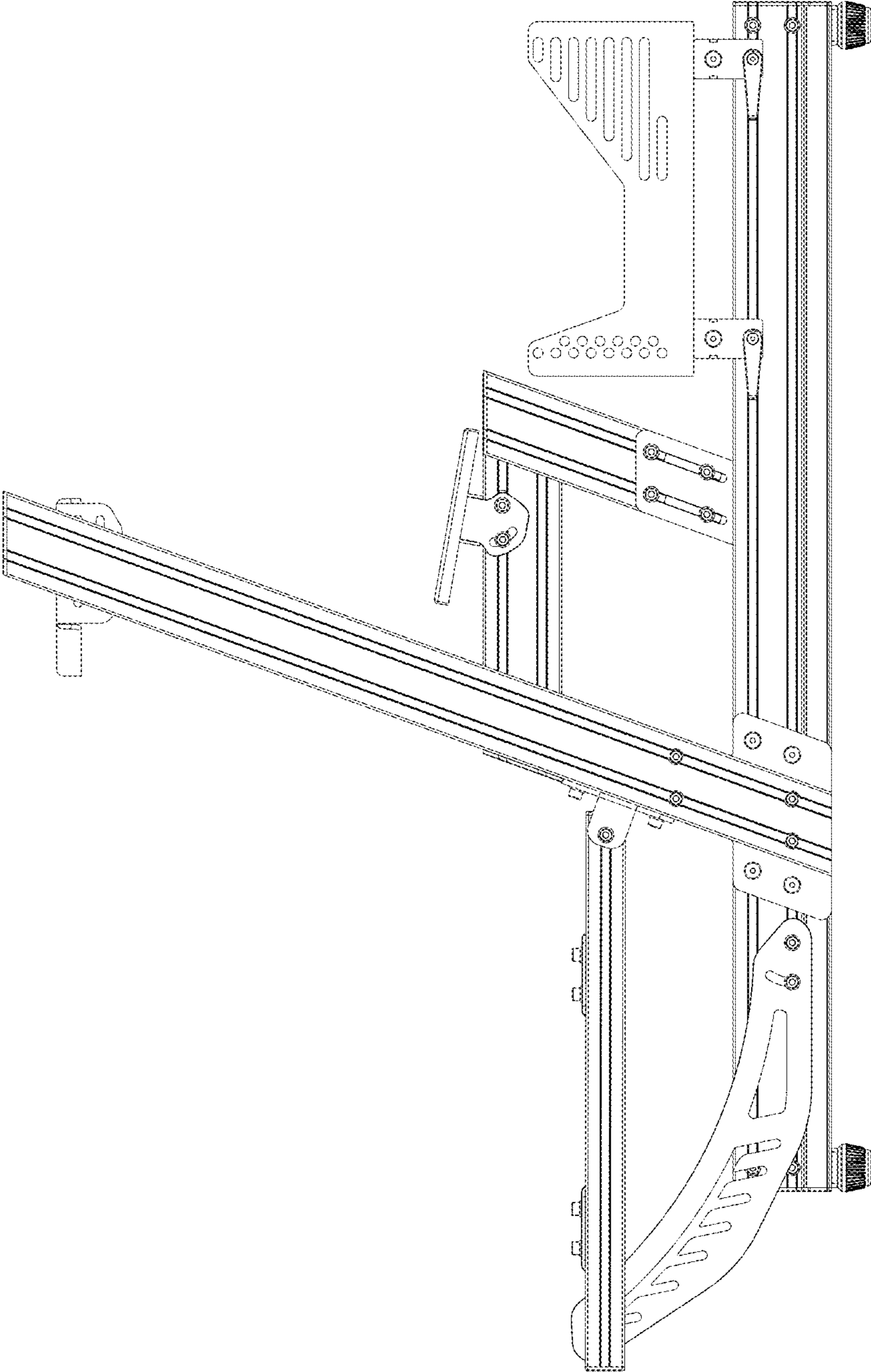


FIG. 7

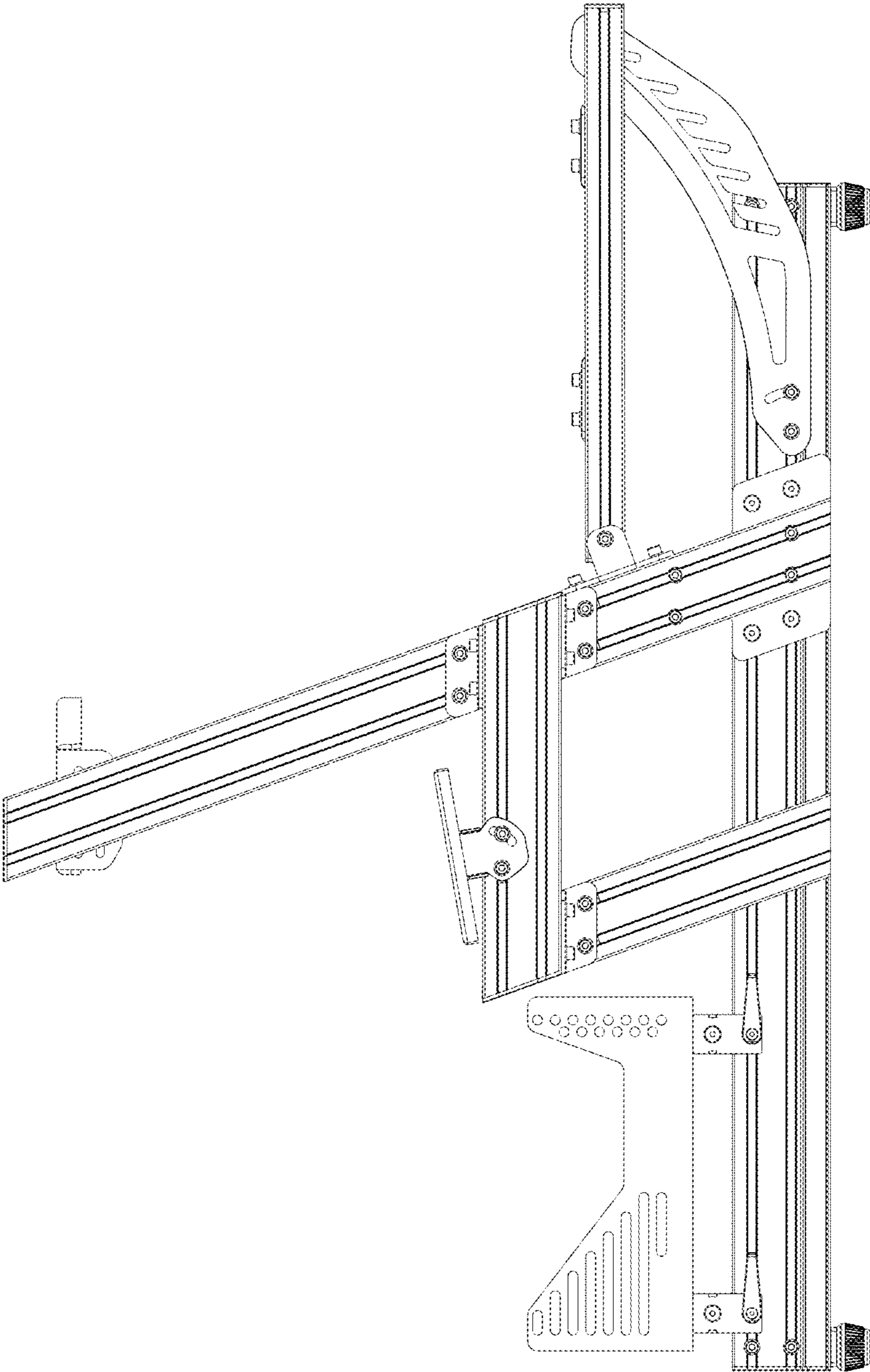


FIG. 8

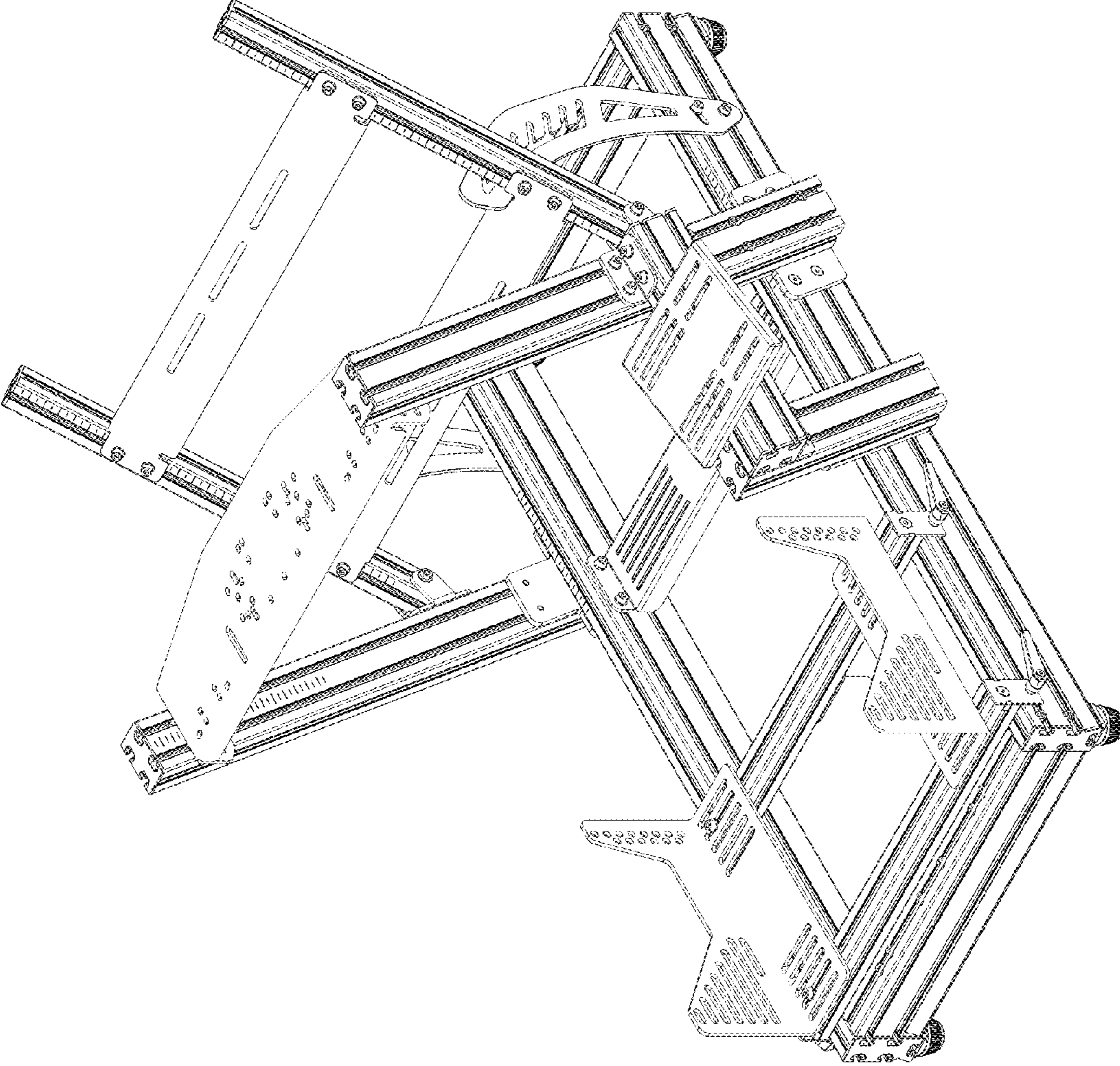


FIG. 9

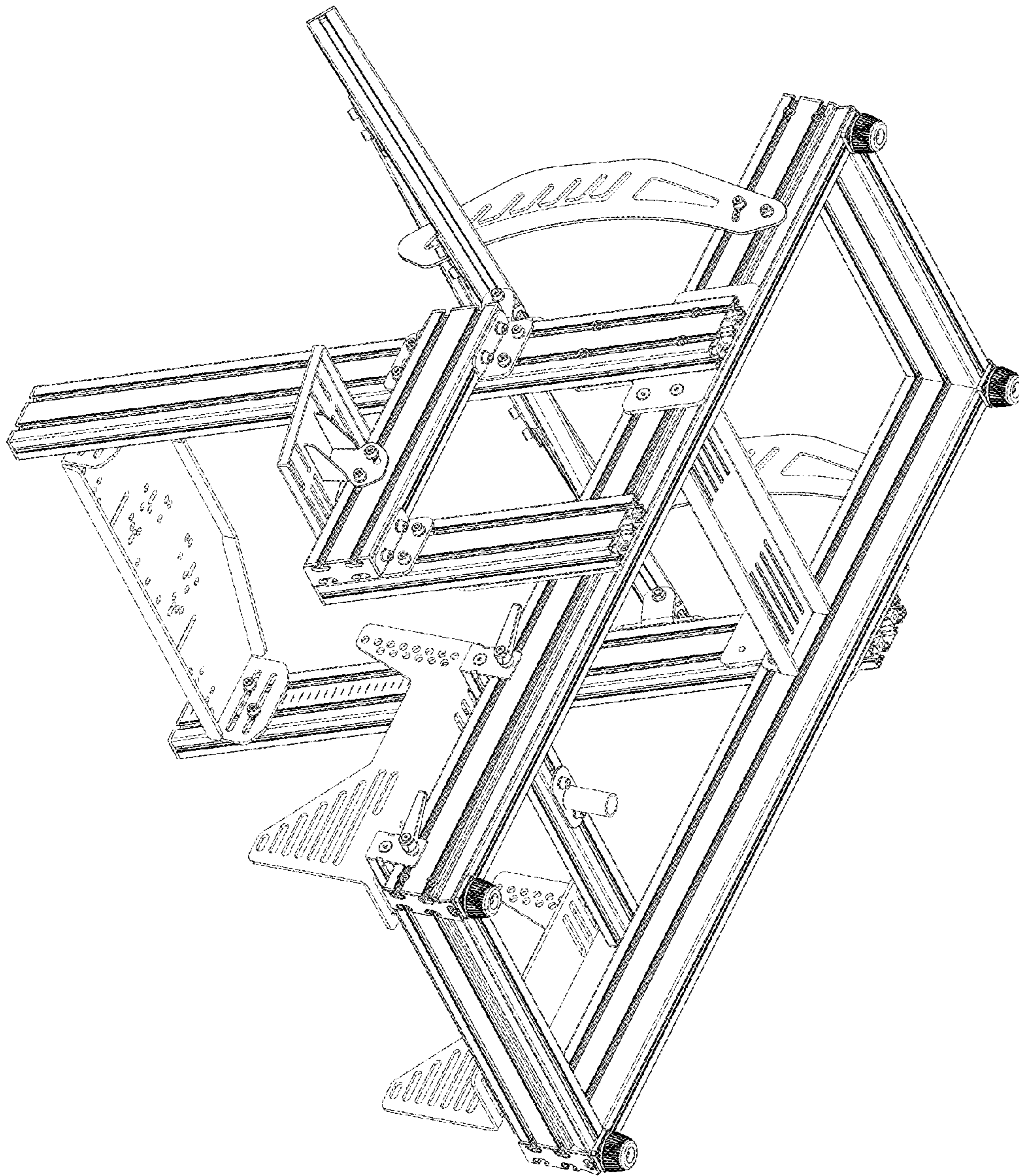


FIG. 10

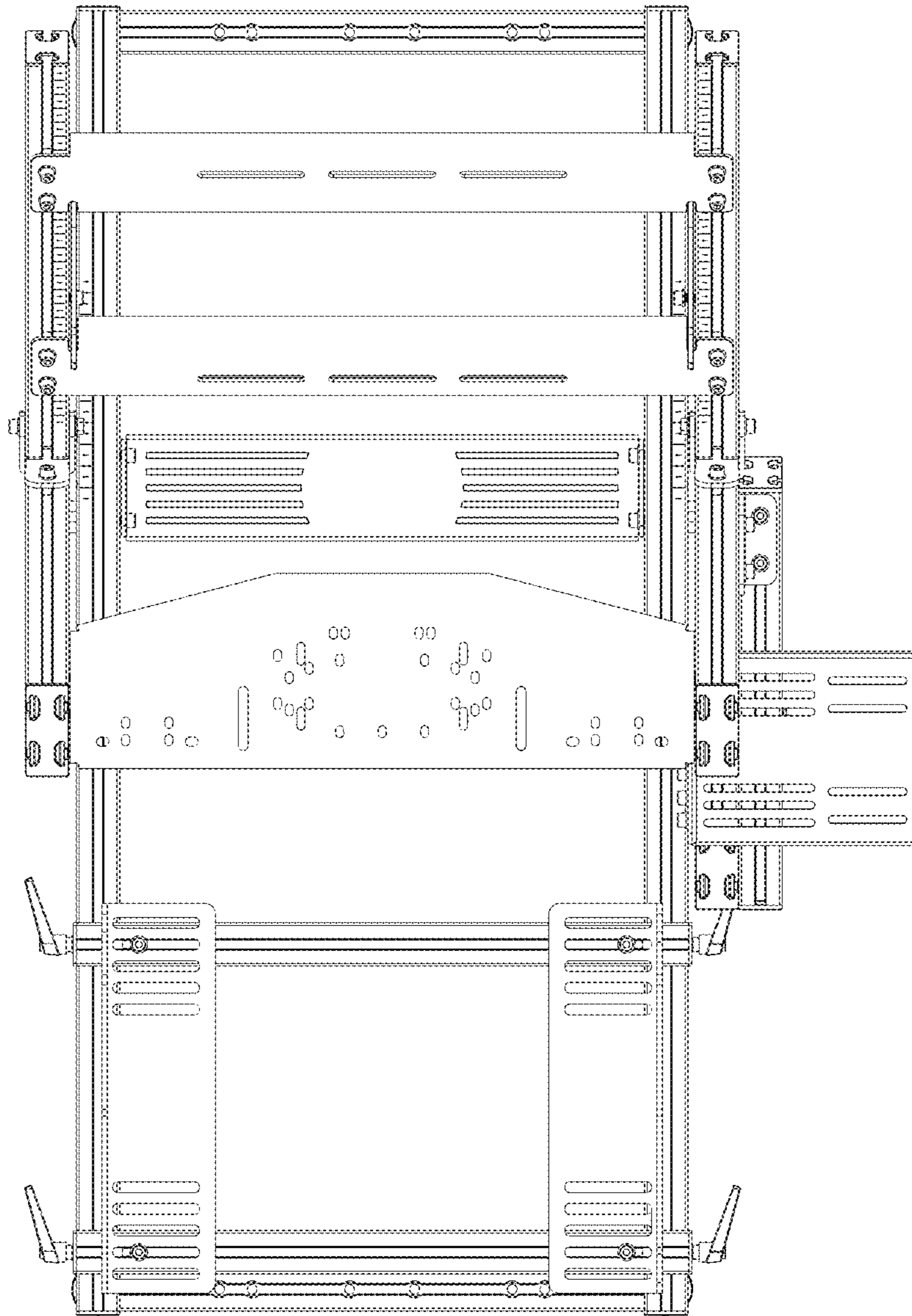


FIG. 11

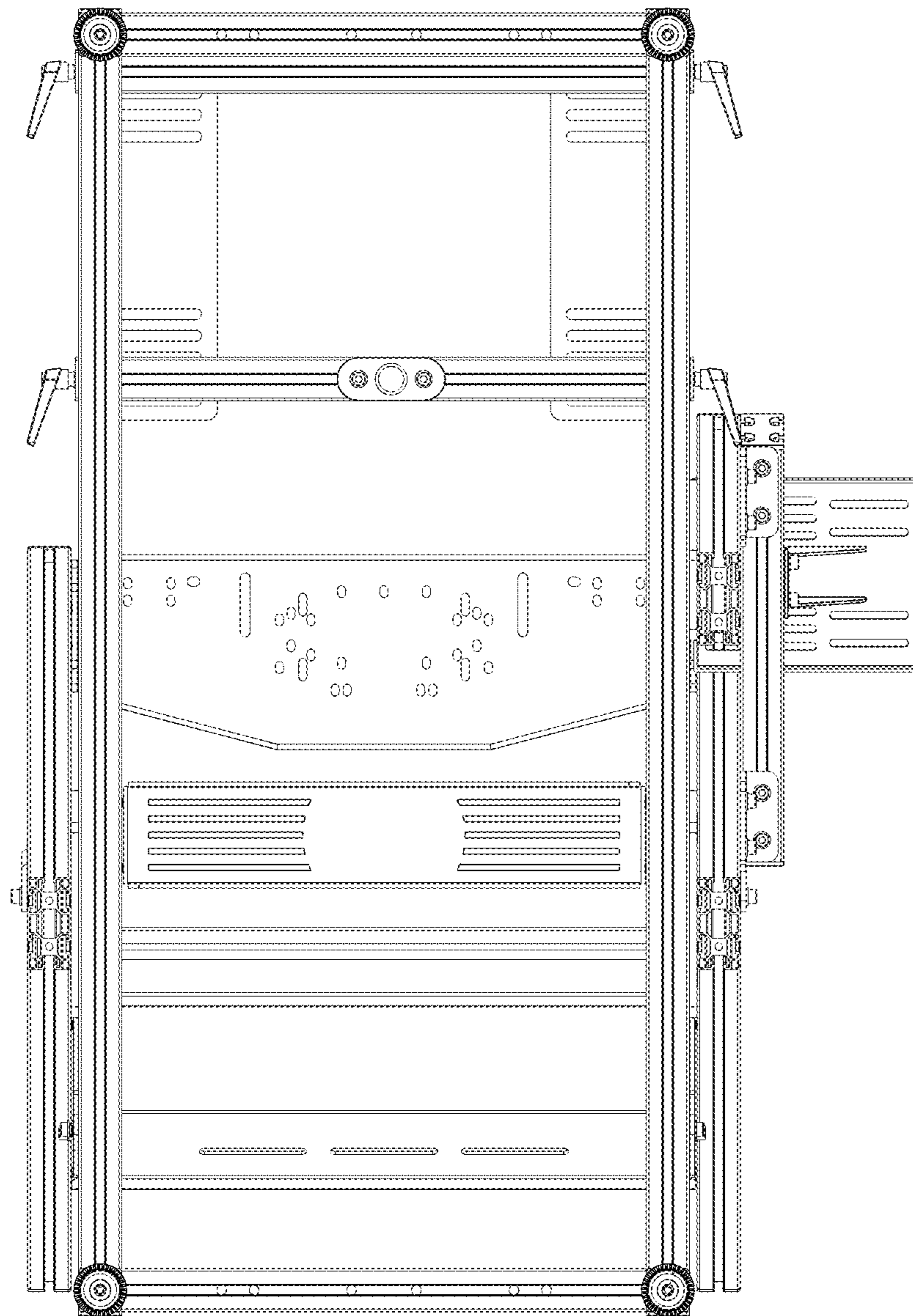


FIG. 12

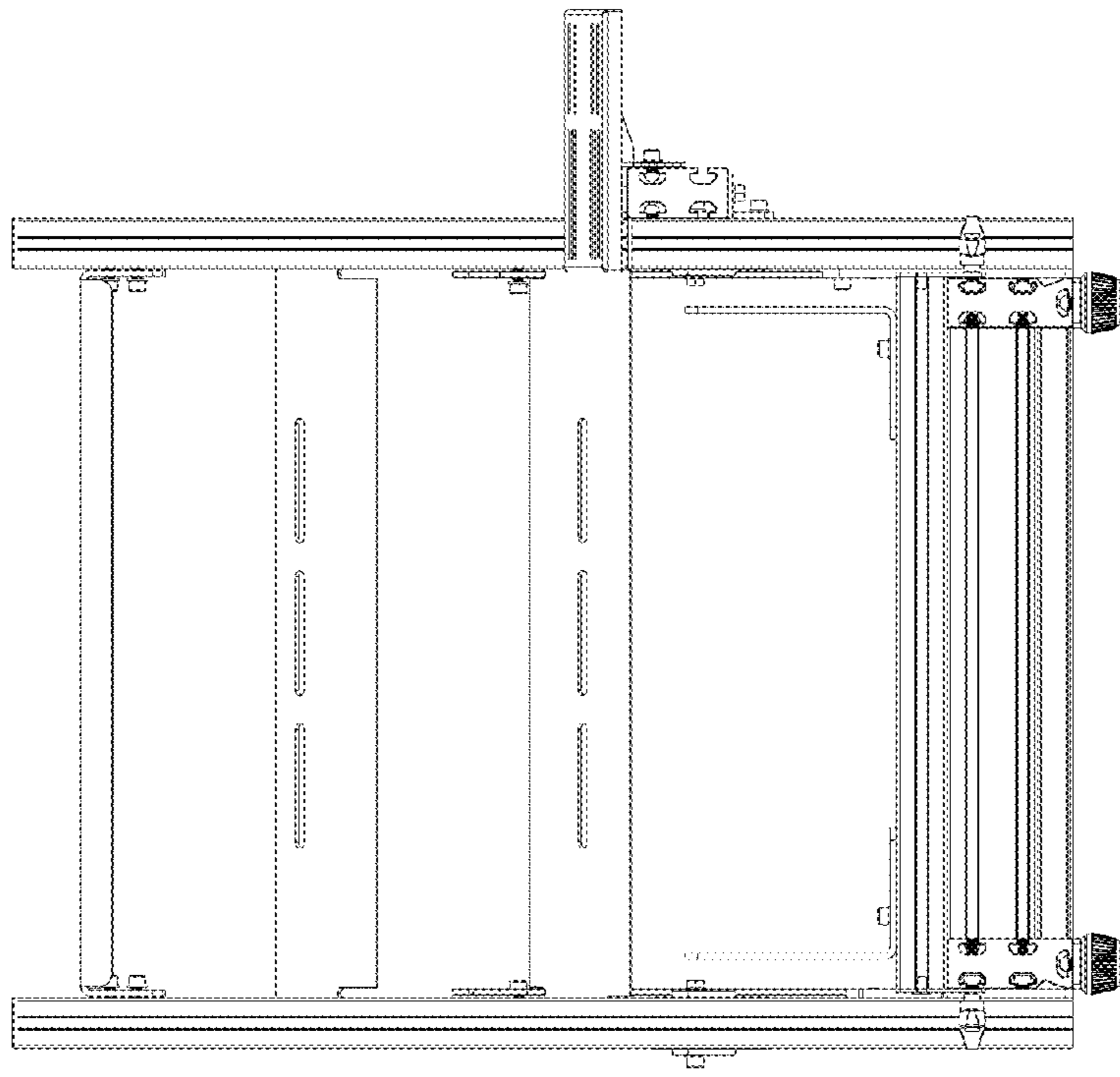


FIG. 14

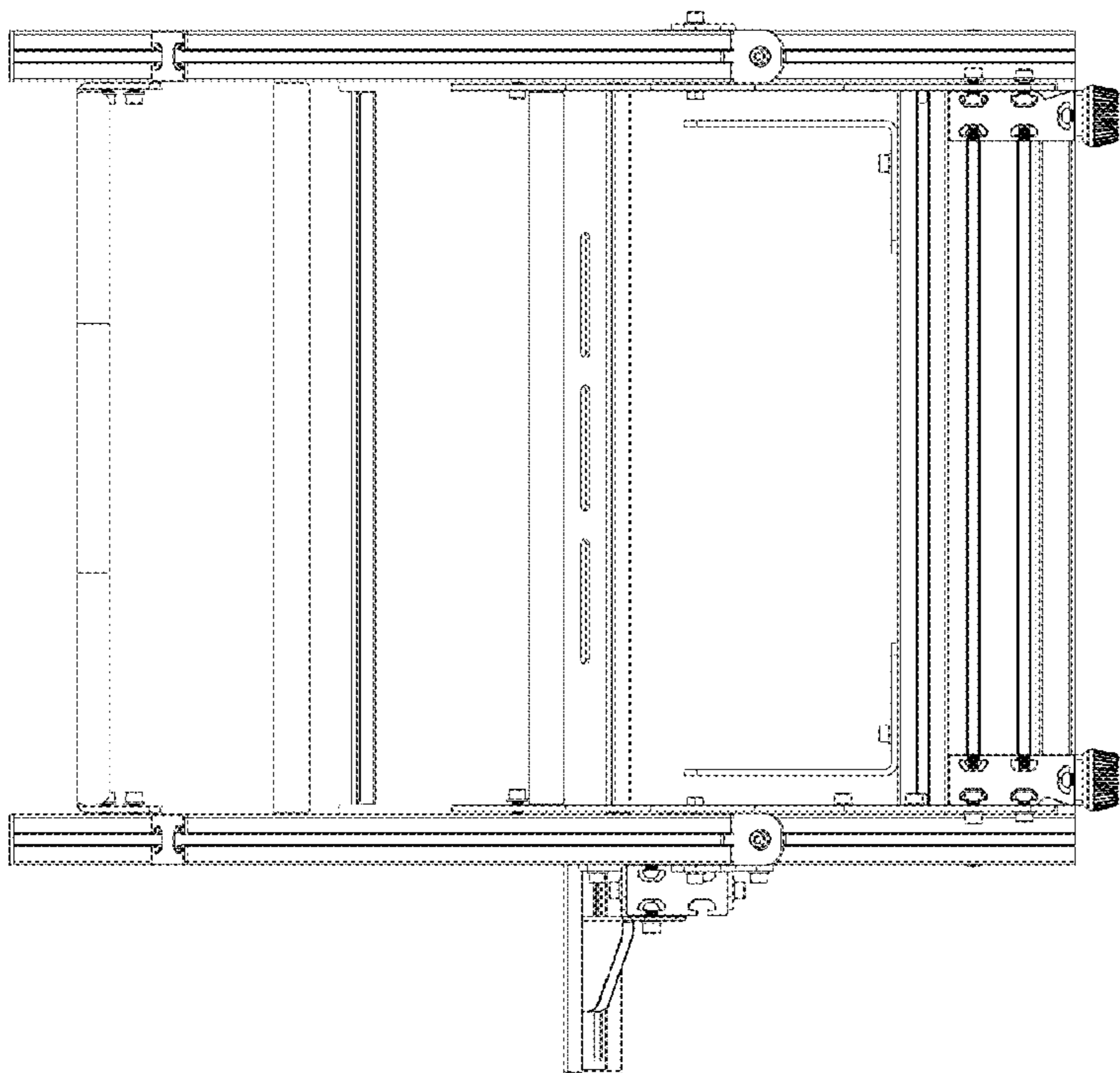


FIG. 13

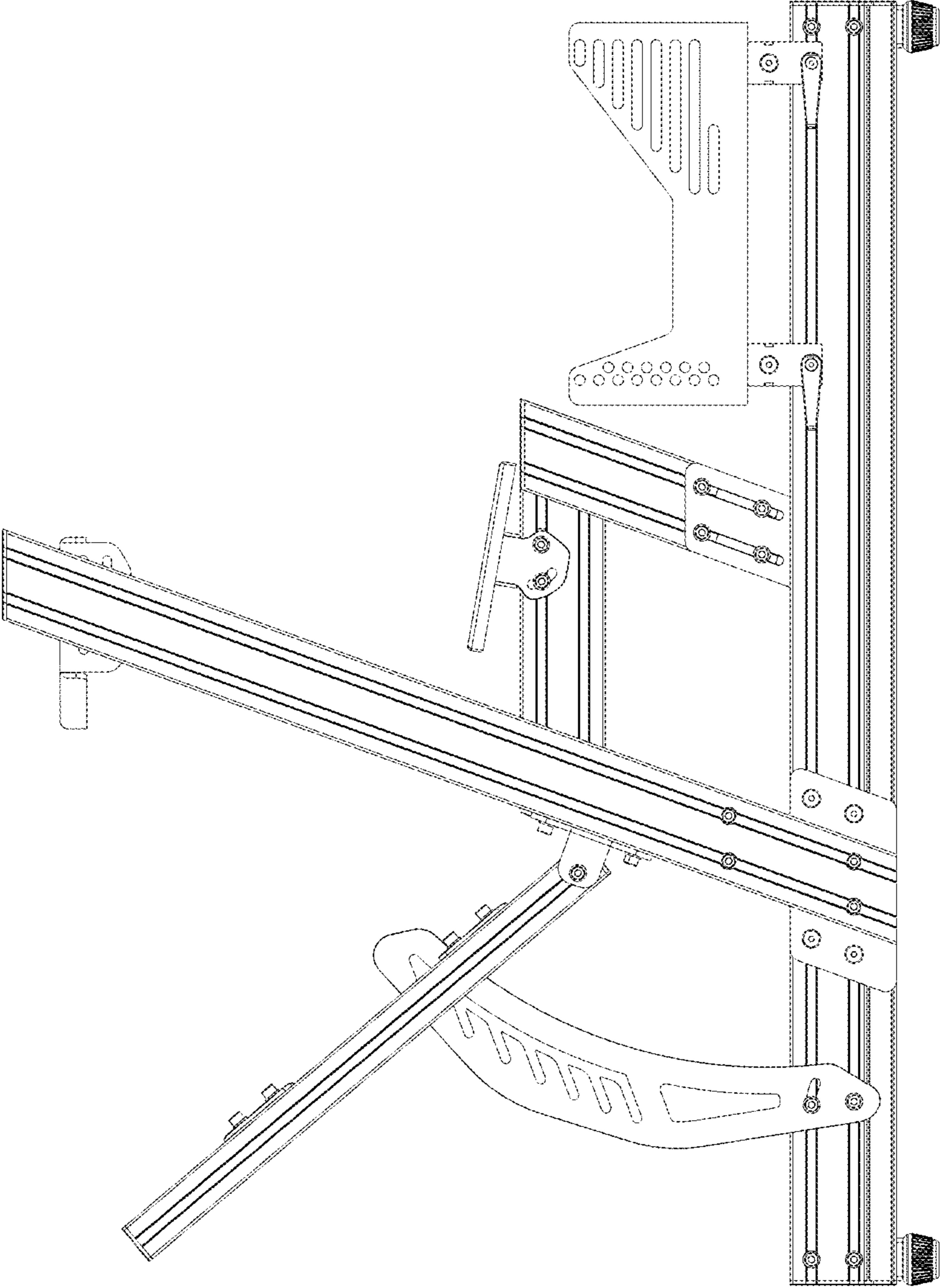


FIG. 15

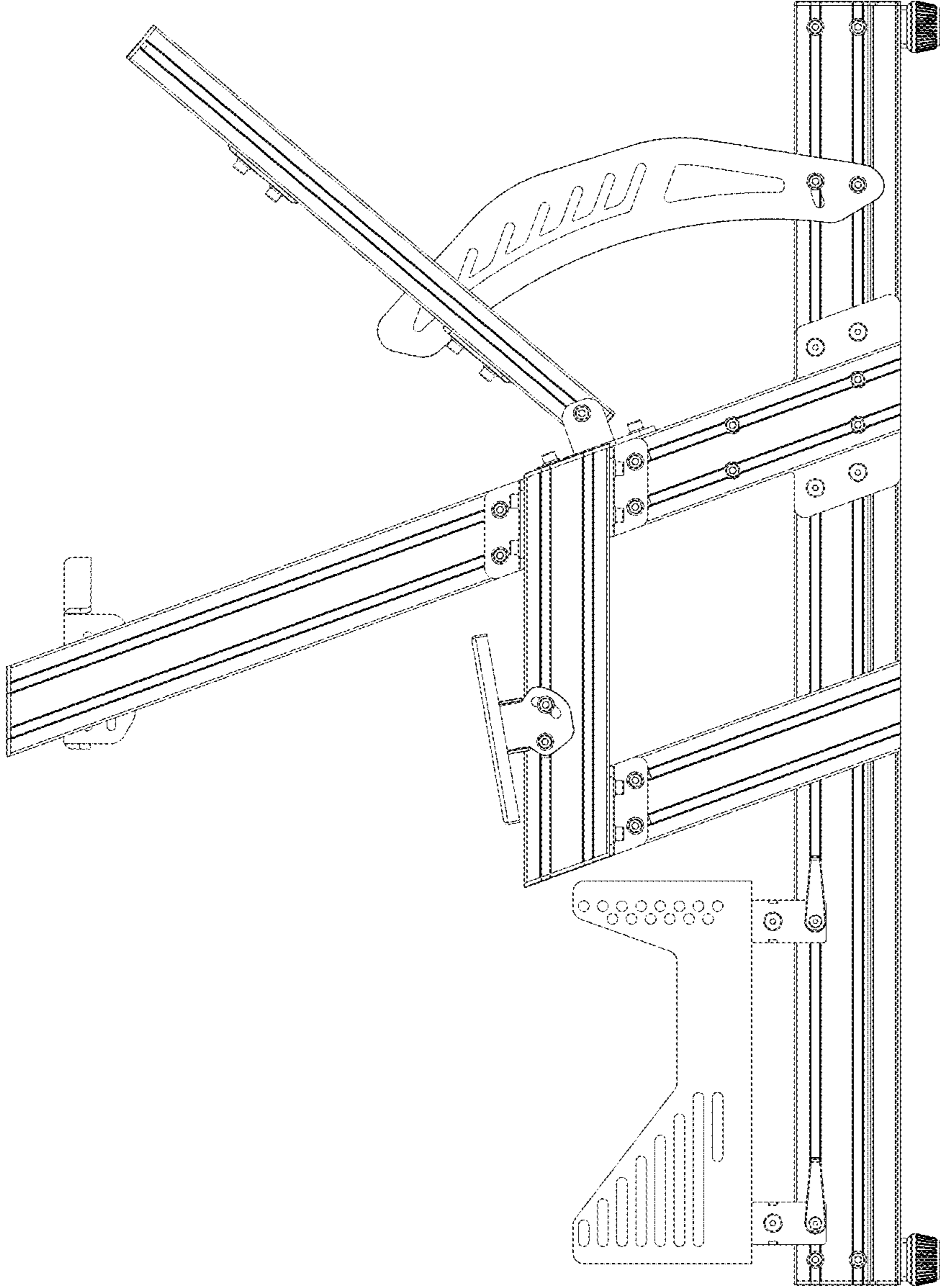


FIG. 16