



US00D978966S

(12) **United States Design Patent** (10) **Patent No.:** **US D978,966 S**
Kamiyama et al. (45) **Date of Patent:** **** Feb. 21, 2023**

(54) **CARTRIDGE FOR AN ELECTRONIC PEN**

FOREIGN PATENT DOCUMENTS

(71) Applicant: **Wacom Co., Ltd.**, Kazo (JP)
(72) Inventors: **Ryoji Kamiyama**, Tokyo (JP);
Masamitsu Ito, Toyko (JP); **Toshihiko Horie**, Toyko (JP)

EM 005809480-0001 S 1/2019
EM 007770276-0002 S 4/2020

(Continued)

(73) Assignee: **Wacom Co., Ltd.**, Kazo (JP)

(**) Term: **15 Years**

(21) Appl. No.: **29/755,544**

(22) Filed: **Oct. 21, 2020**

(30) **Foreign Application Priority Data**

Apr. 21, 2020 (JP) 2020-008216 D

(51) **LOC (14) Cl.** **19-06**

(52) **U.S. Cl.**
USPC **D19/158**; D14/411

(58) **Field of Classification Search**
USPC D19/115-185; D14/431
CPC G06F 3/0383; G06F 3/03545
See application file for complete search history.

(56) **References Cited**

U.S. PATENT DOCUMENTS

D64,773 S * 5/1924 Swanberg D19/916
D169,307 S * 4/1953 Ferber D19/923
D283,901 S * 5/1986 Horntrich D19/176
D374,460 S * 10/1996 Young D19/166
D389,131 S * 1/1998 Nagaoka D14/431
D400,921 S * 11/1998 Ting D19/934
D444,171 S 6/2001 McCullough
D450,767 S 11/2001 Itoh et al.
D453,354 S * 2/2002 Ikenaga D19/934
D465,521 S * 11/2002 Qiu D19/176
D537,879 S * 3/2007 O'Hern D19/186
D582,979 S * 12/2008 Leibeck D19/195

(Continued)

OTHER PUBLICATIONS

Pens,louisiana.all.bizTinEye,date published Jun. 21, 2017,date retrieved from internet Mar. 18, 2022—29755544—https://tineye.com/search/6de5f11ad5998ed67b214b6434683034d1a55018?sort=score&order=desc&page=1 (Year: 2017).*

(Continued)

Primary Examiner — Jennifer L Rempfer
Assistant Examiner — Danielle Nichole Bowly
(74) *Attorney, Agent, or Firm* — Christensen O'Connor Johnson Kindness PLLC

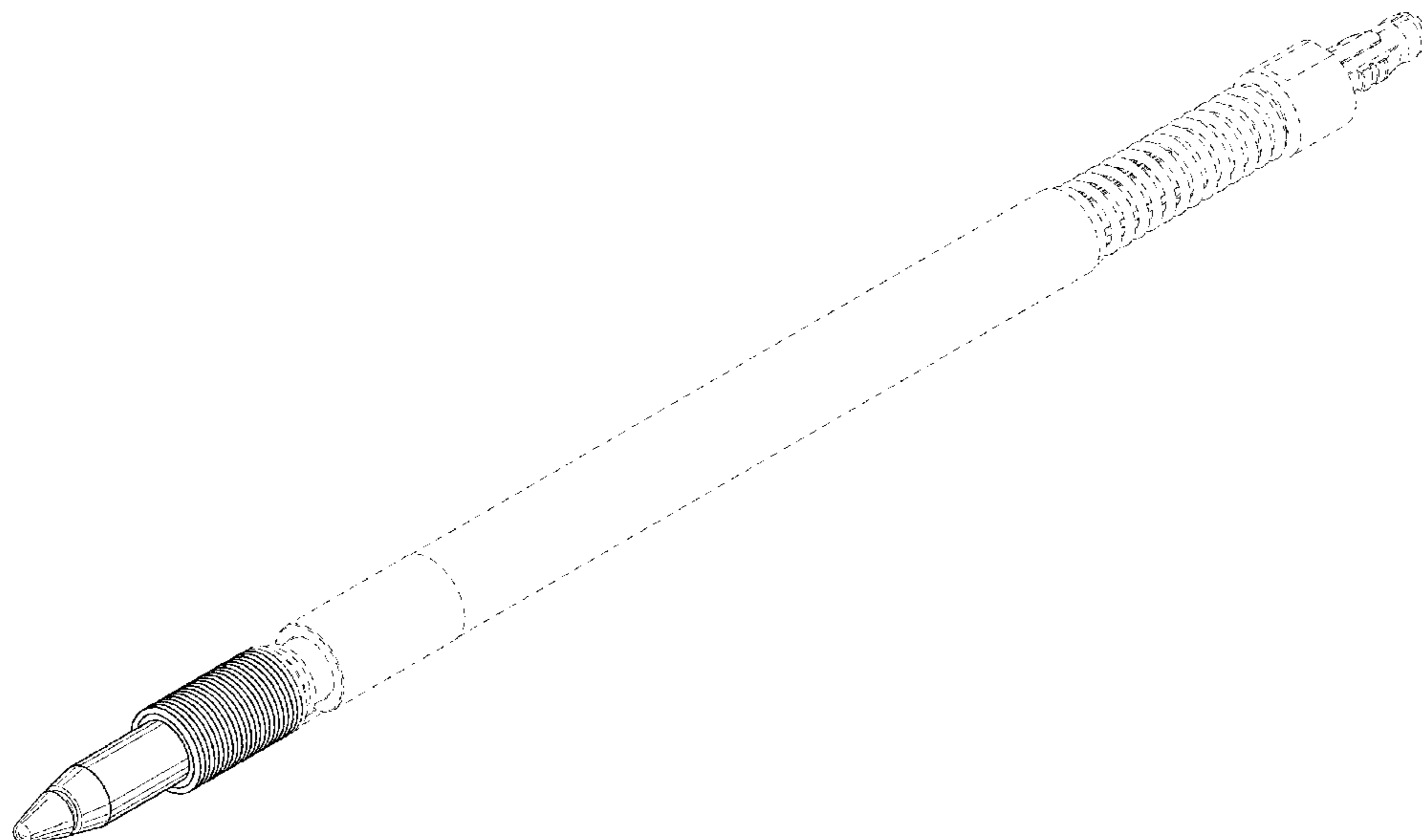
(57) **CLAIM**

The ornamental design for a cartridge for an electronic pen, as shown and described.

DESCRIPTION

FIG. 1 is a front-bottom-right perspective view of a cartridge for an electronic pen according to our new design; FIG. 2 is a rear-top-left perspective view thereof; FIG. 3 is a front elevational view thereof; FIG. 4 is a rear elevational view thereof; FIG. 5 is a right side elevational view thereof; FIG. 6 is a left side elevational view thereof; FIG. 7 is top plan view thereof; FIG. 8 is a bottom plan view thereof; and, FIG. 9 is a partial rear elevational view thereof, as indicated by the view indicator shown in FIG. 4. The broken lines in the figures depict portions of the cartridge for an electronic pen that form no part of the claimed design.

1 Claim, 6 Drawing Sheets



(56)

References Cited

U.S. PATENT DOCUMENTS

D610,615 S * 2/2010 Li D19/927
D646,328 S * 10/2011 Casciotti D19/199
D692,055 S * 10/2013 Yamanaka D19/916
D816,167 S * 4/2018 Guiu D19/177
D897,341 S * 9/2020 Kamiyama D14/411
2021/0382569 A1* 12/2021 Kamiyama G06F 3/0383
2022/0026996 A1* 1/2022 Sato G06F 3/0383
2022/0050536 A1* 2/2022 Kamiyama G06F 3/046

FOREIGN PATENT DOCUMENTS

EM 007770284-0002 S 4/2020
JP D1383822 S 3/2010
JP D1622064 * 1/2019

OTHER PUBLICATIONS

Bamboo Ink Smart Stylus, Amazon.com, date published Oct. 30, 2019, date retrieved from internet Mar. 18, 2022—29755544—<https://amzn.to/3qdXrxe> (Year: 2019).*

* cited by examiner

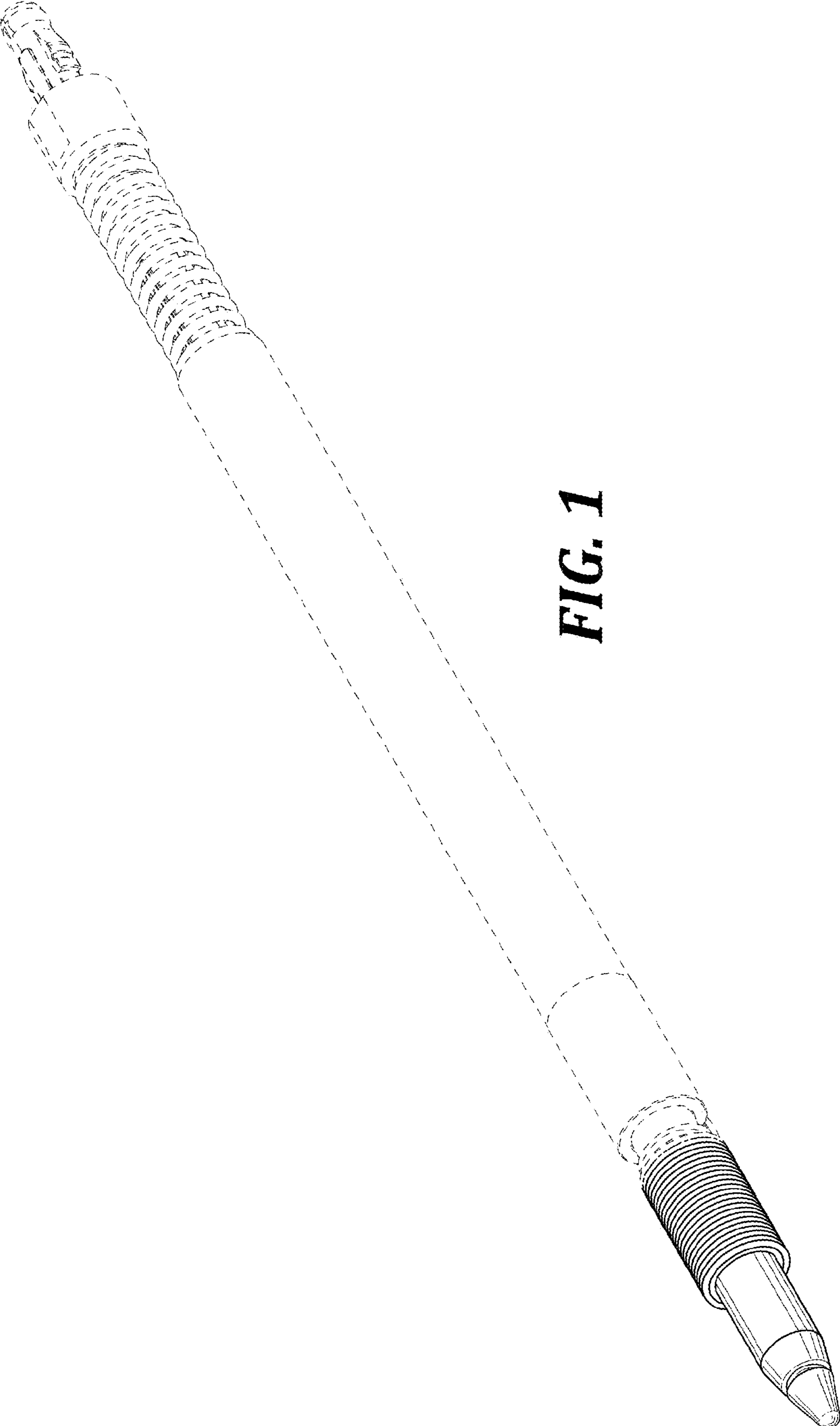


FIG. 1

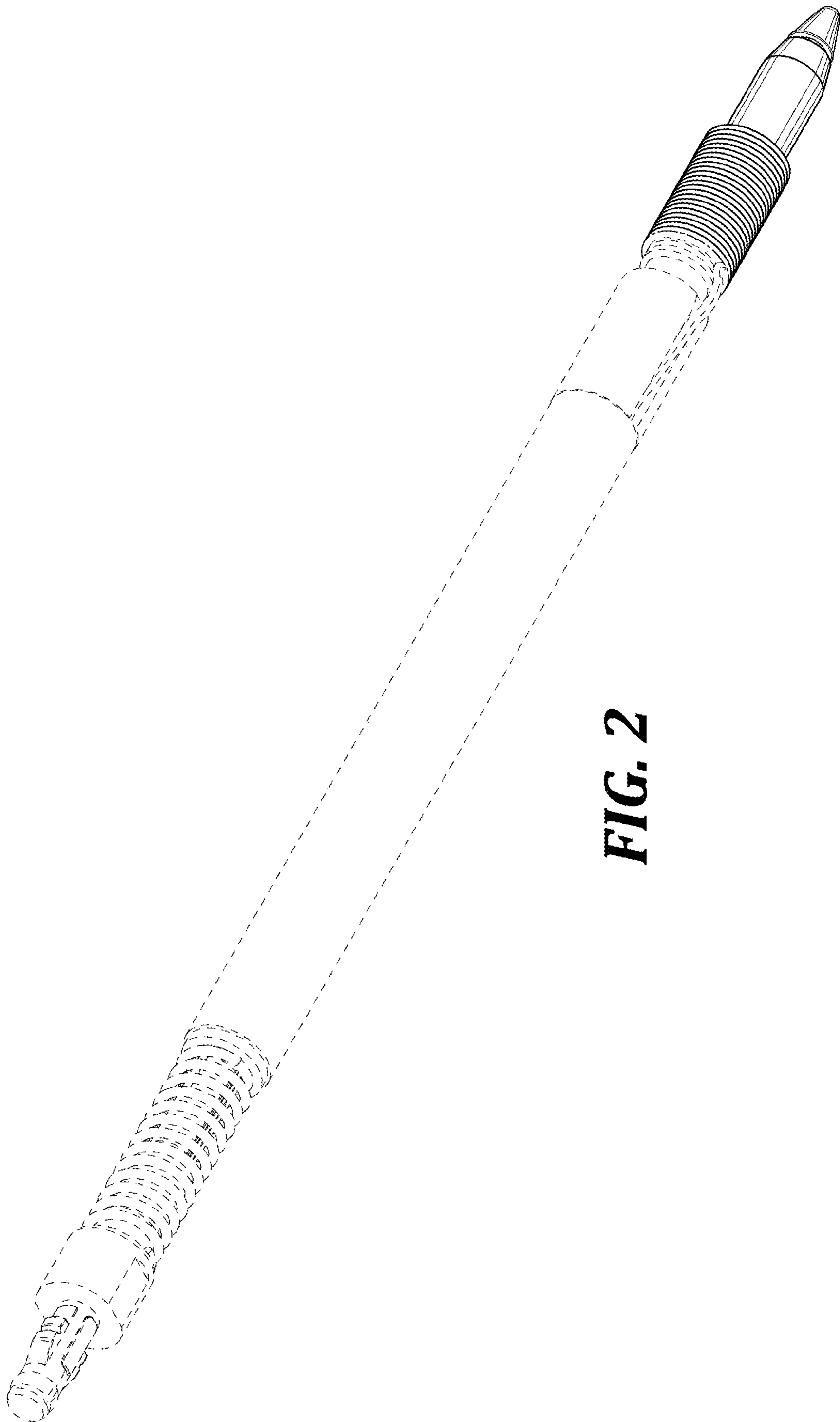


FIG. 2

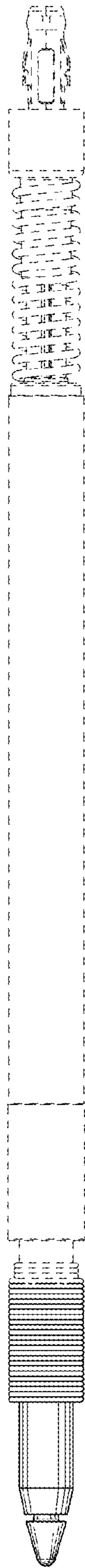


FIG. 3

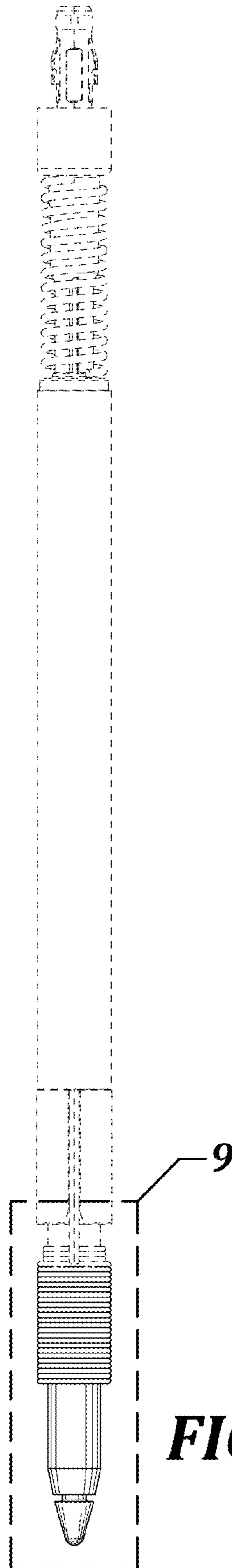


FIG. 4

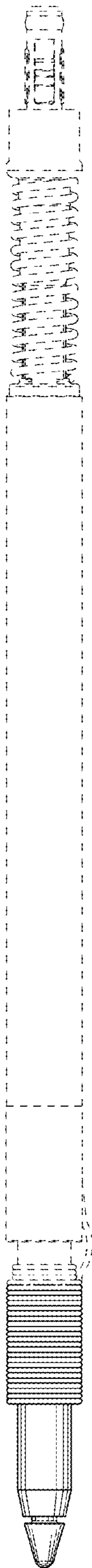


FIG. 5

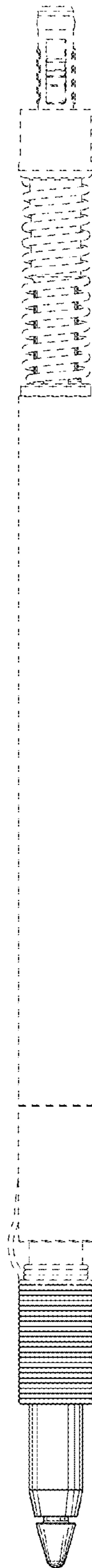


FIG. 6

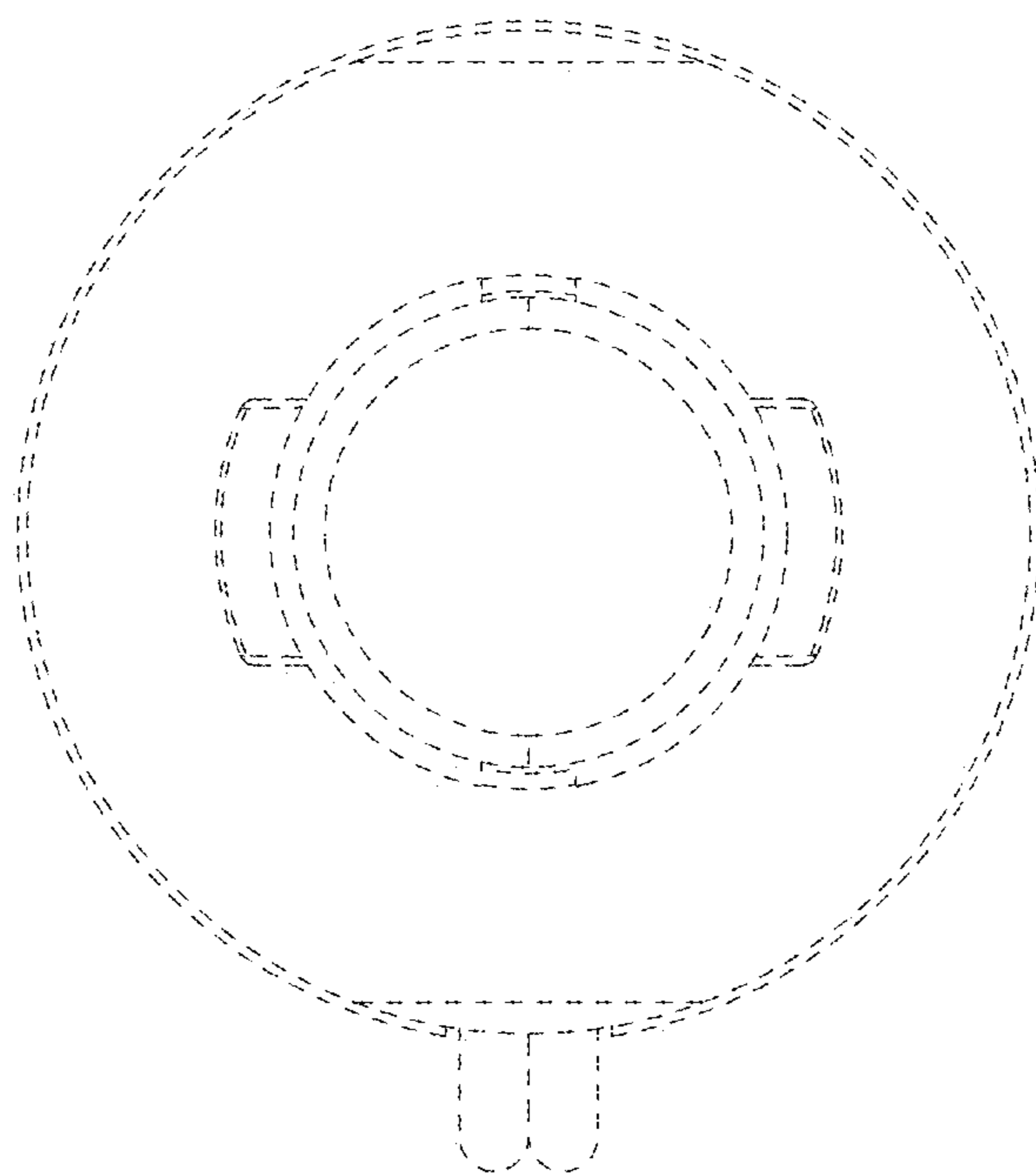


FIG. 7

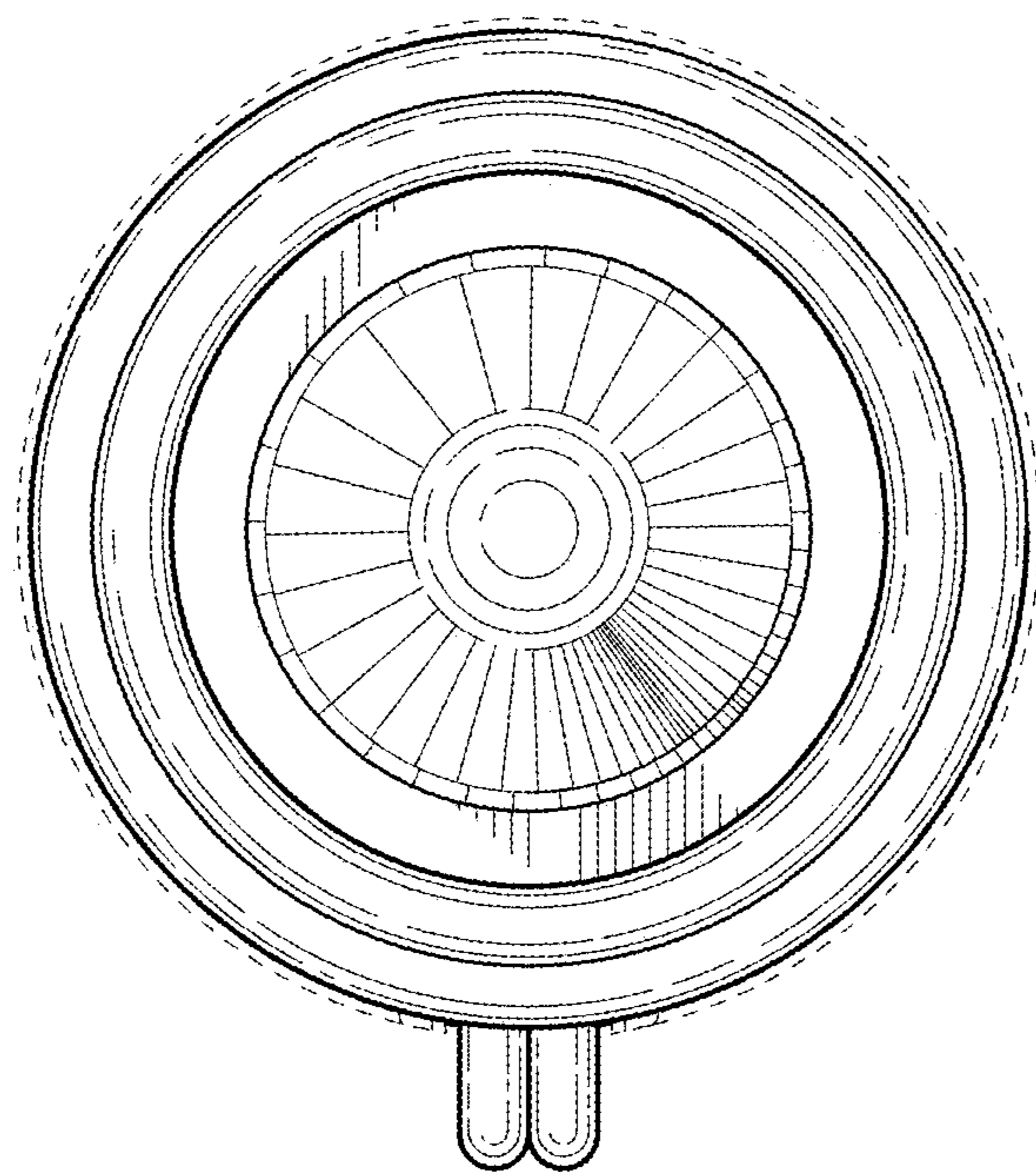


FIG. 8

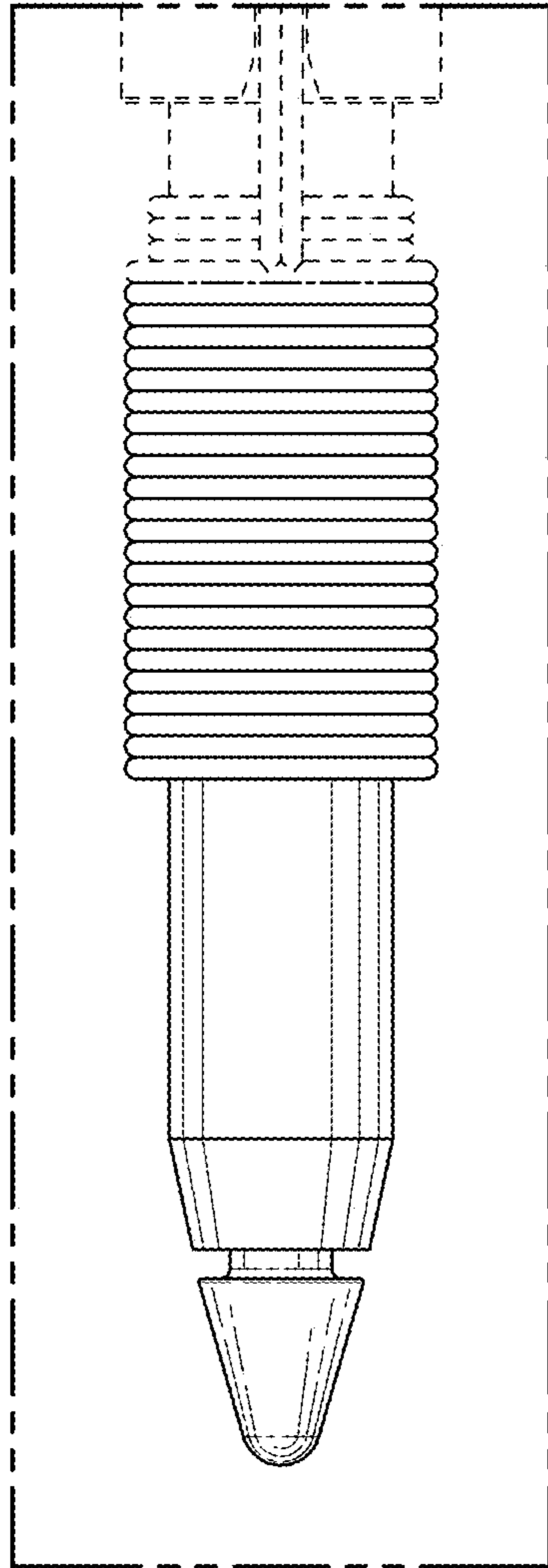


FIG. 9