



US00D978964S

(12) **United States Design Patent** (10) **Patent No.:** **US D978,964 S**
Lu (45) **Date of Patent:** **** Feb. 21, 2023**

(54) **TETRA STAND**
(71) Applicant: **Jason Lu**, Moraga, CA (US)
(72) Inventor: **Jason Lu**, Moraga, CA (US)
(**) Term: **15 Years**

D450,771 S * 11/2001 Niwa D19/86
D494,185 S * 8/2004 Rowell D18/40
D521,079 S * 5/2006 Bertrand D21/392
D526,356 S * 8/2006 Shinya D19/65
D557,904 S * 12/2007 Engber D6/300
D635,191 S * 3/2011 Cheetwood D19/91
D752,291 S * 3/2016 Schlatter D9/566
9,677,704 B1 * 6/2017 Thelen F16M 11/22

(21) Appl. No.: **29/761,978**
(22) Filed: **Dec. 14, 2020**
(51) **LOC (14) Cl.** **19-02**
(52) **U.S. Cl.**
USPC **D19/91**
(58) **Field of Classification Search**
USPC D19/65, 75, 76, 77, 86, 90, 91, 95, 96,
D19/97, 99, 100; D20/10, 15, 16, 17, 19,
D20/21, 39, 40, 41, 42, 43, 44, 49;
D21/392
CPC G09F 7/22; G09F 7/20; G09F 2007/1886;
G09F 2007/1891; G09F 2007/186; G09F
2007/1839; G09F 2007/1852; G09F
2007/1808; G09F 2007/1813; G09F
2007/183; G09F 7/04; G09F 7/08; G09F
7/10; G09F 15/0006; G09F 15/0018
See application file for complete search history.

OTHER PUBLICATIONS

44640, posted at e-kulecniky.cz, posted on Apr. 19, 2008, site visited Jul. 15, 2022. online, available from internet: https://tineye.com/search/2d516937a07a02f3ed5a56bc9f102492a6280454?sort=crawl_date&order=asc&page=1 (Year: 2008).*

(Continued)

Primary Examiner — Catherine Ho
(74) *Attorney, Agent, or Firm* — Rabin & Berdo, P.C.

(57) **CLAIM**

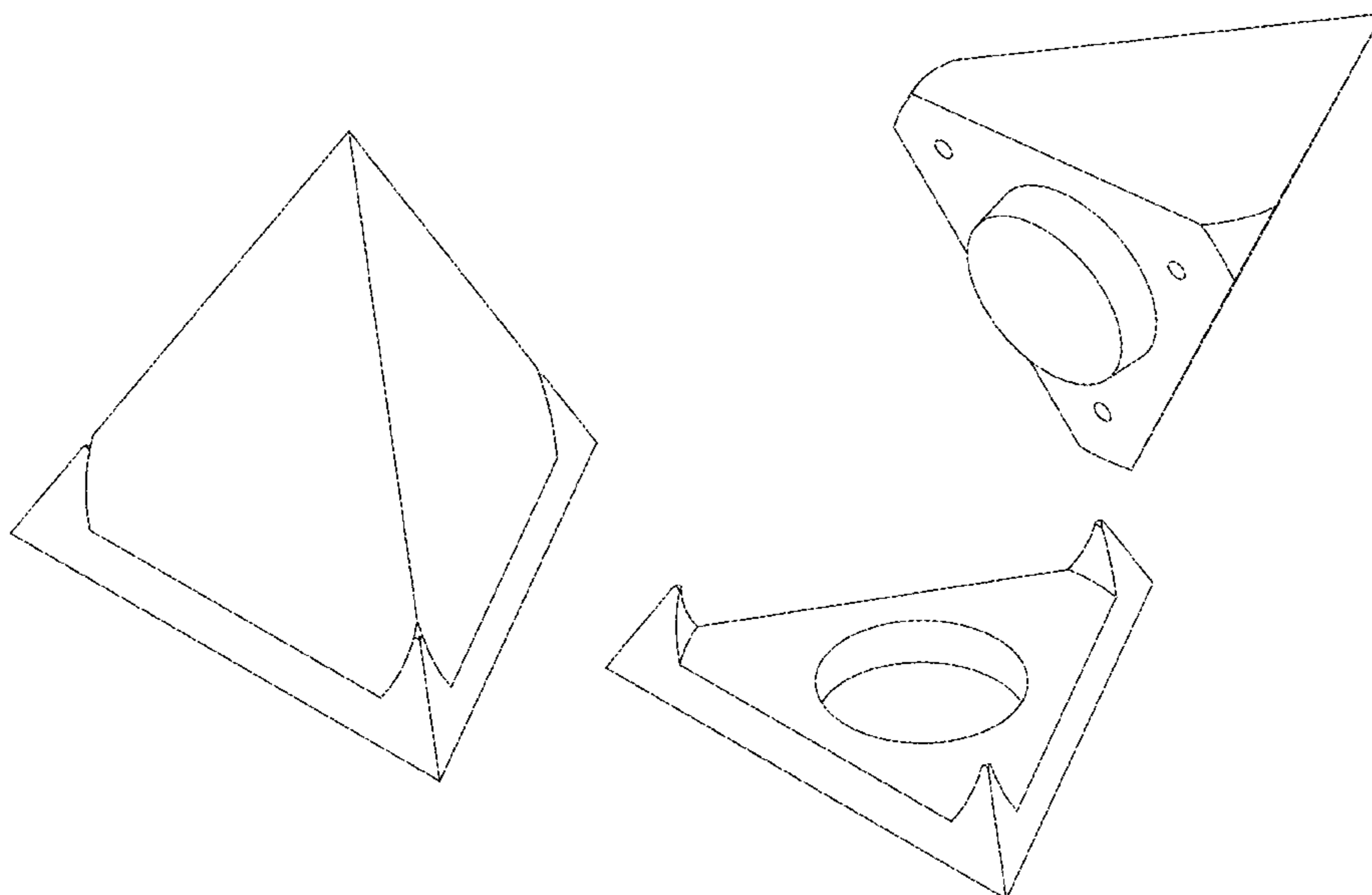
The ornamental design for a tetra stand, as shown and described.

DESCRIPTION

FIG. 1 is a top perspective view of a tetra stand showing my new design;
FIG. 2 is a front elevational view thereof;
FIG. 3 is a rear elevational view thereof;
FIG. 4 is a left side elevational view thereof, the right side being a mirror image;
FIG. 5 is a top plan view thereof;
FIG. 6 is a bottom plan view thereof;
FIG. 7 is a perspective view of a tetra stand shown in an open configuration; and,
FIG. 8 is a perspective view of a tetra stand shown in an environment of use.
The broken lines show environment that forms no part of the claimed design.

(56) **References Cited**
U.S. PATENT DOCUMENTS
1,475,134 A * 11/1923 Oakes G09F 1/14
292/342
D66,125 S * 12/1924 Katz D19/83
2,229,012 A * 1/1941 Geyzer G09F 5/04
40/530
2,344,302 A * 3/1944 Harza E02B 3/14
405/16
D157,683 S * 3/1950 Jung D9/453
D351,623 S * 10/1994 Seiler D11/131
D400,584 S * 11/1998 Wolff D19/86
D412,386 S * 7/1999 De Manjarrez D99/25
D413,147 S * 8/1999 Ruff D19/91

1 Claim, 6 Drawing Sheets



(56)

References Cited

OTHER PUBLICATIONS

Final bolt tetra, posted at metropolismag.com, posted on Jun. 6, 2016, site visited Jul. 15, 2022. online, available from internet: https://tineye.com/search/a974386963127eadc26f2c75d3c5307229c552d6?sort=crawl_date&order=asc&page=1 (Year: 2016).*

* cited by examiner

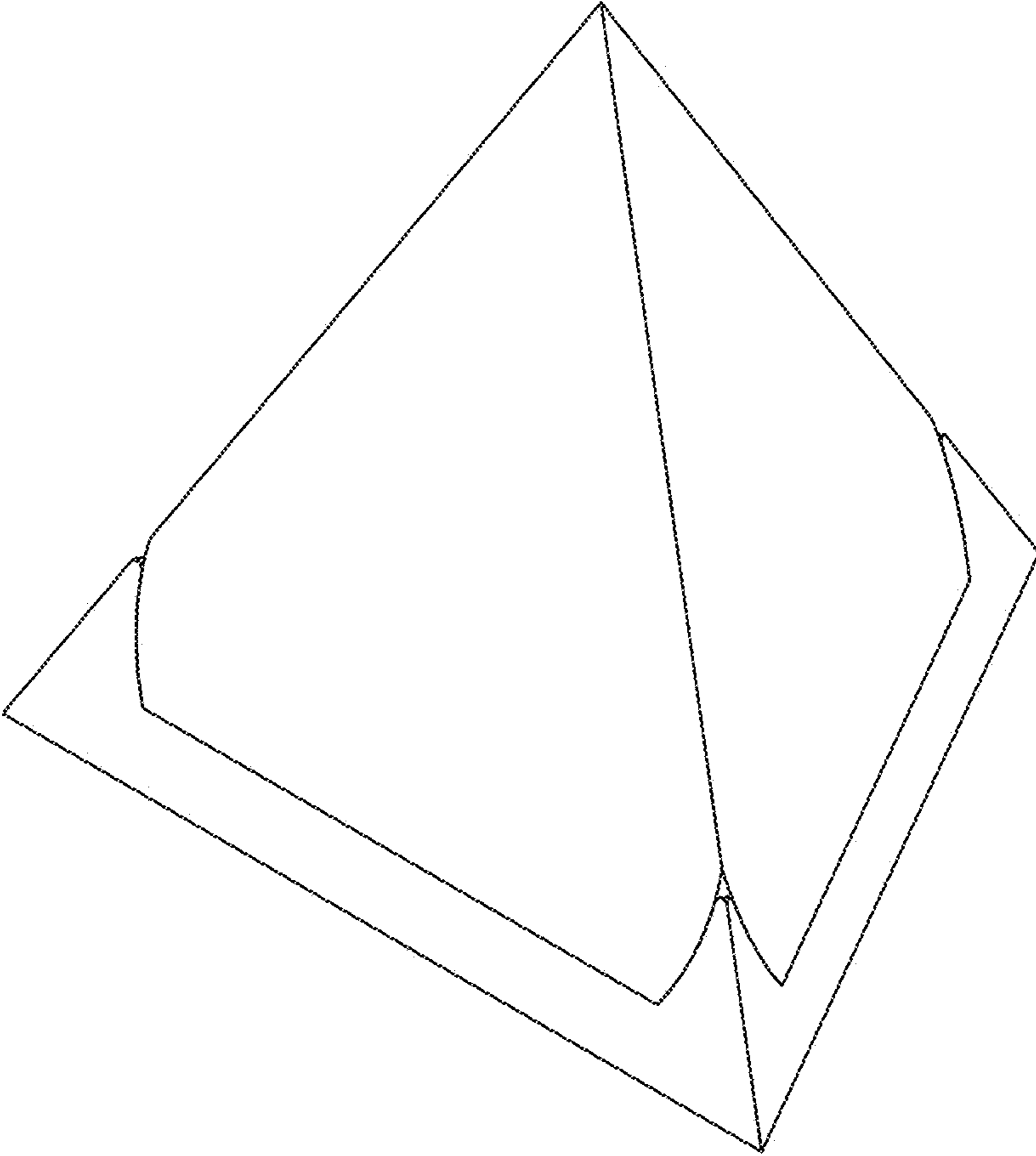


FIG. 1

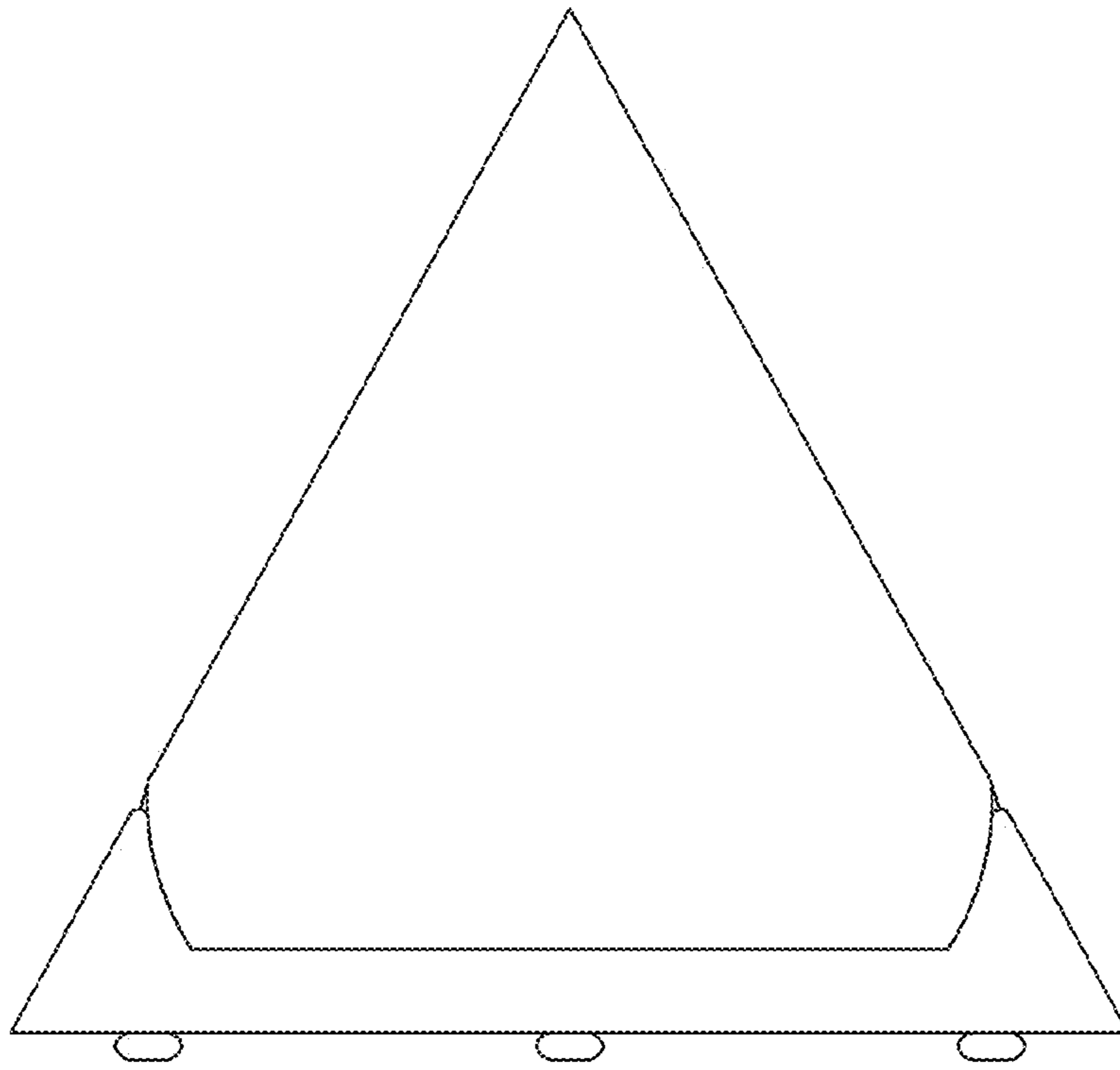


FIG. 2

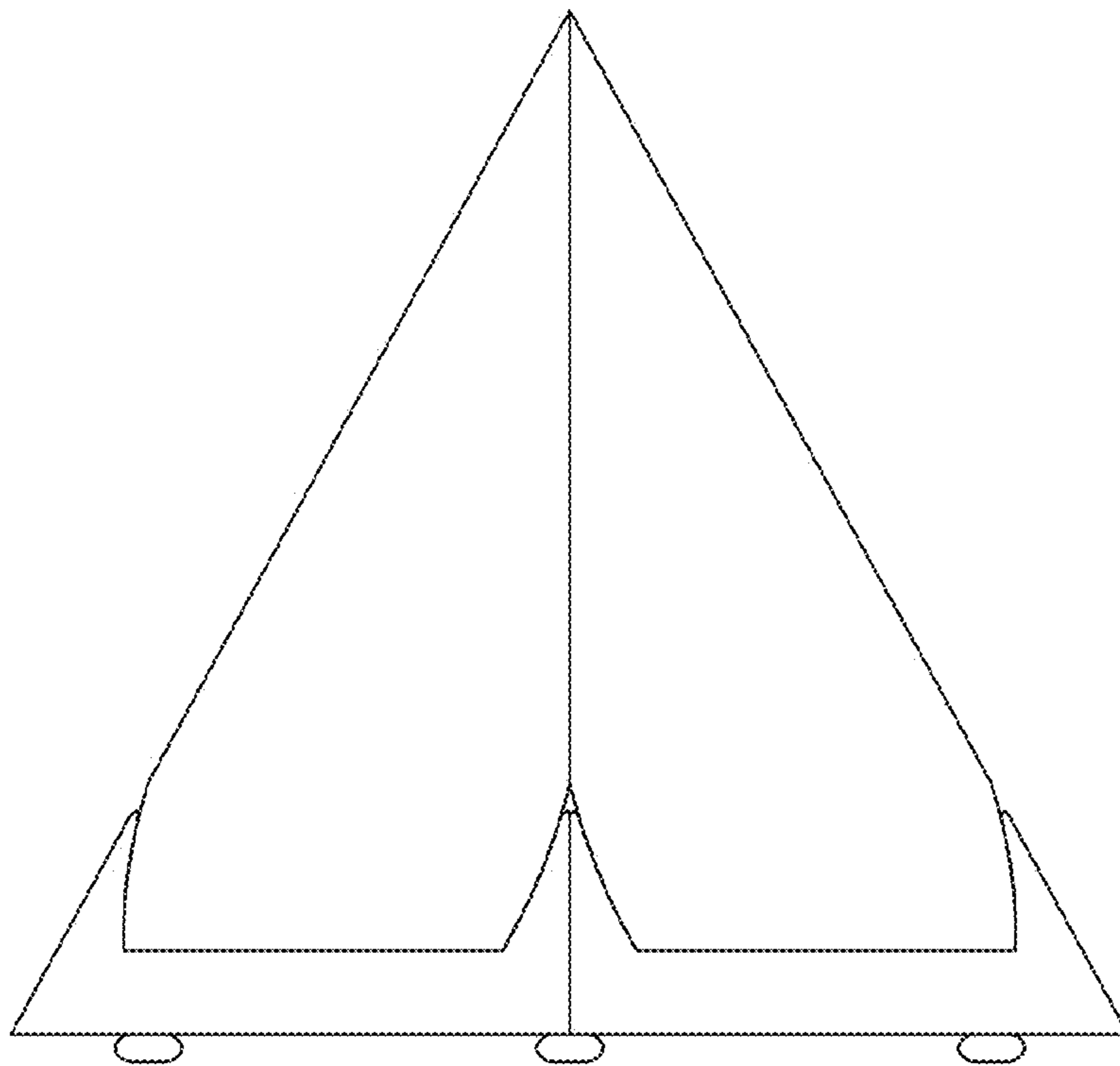


FIG. 3

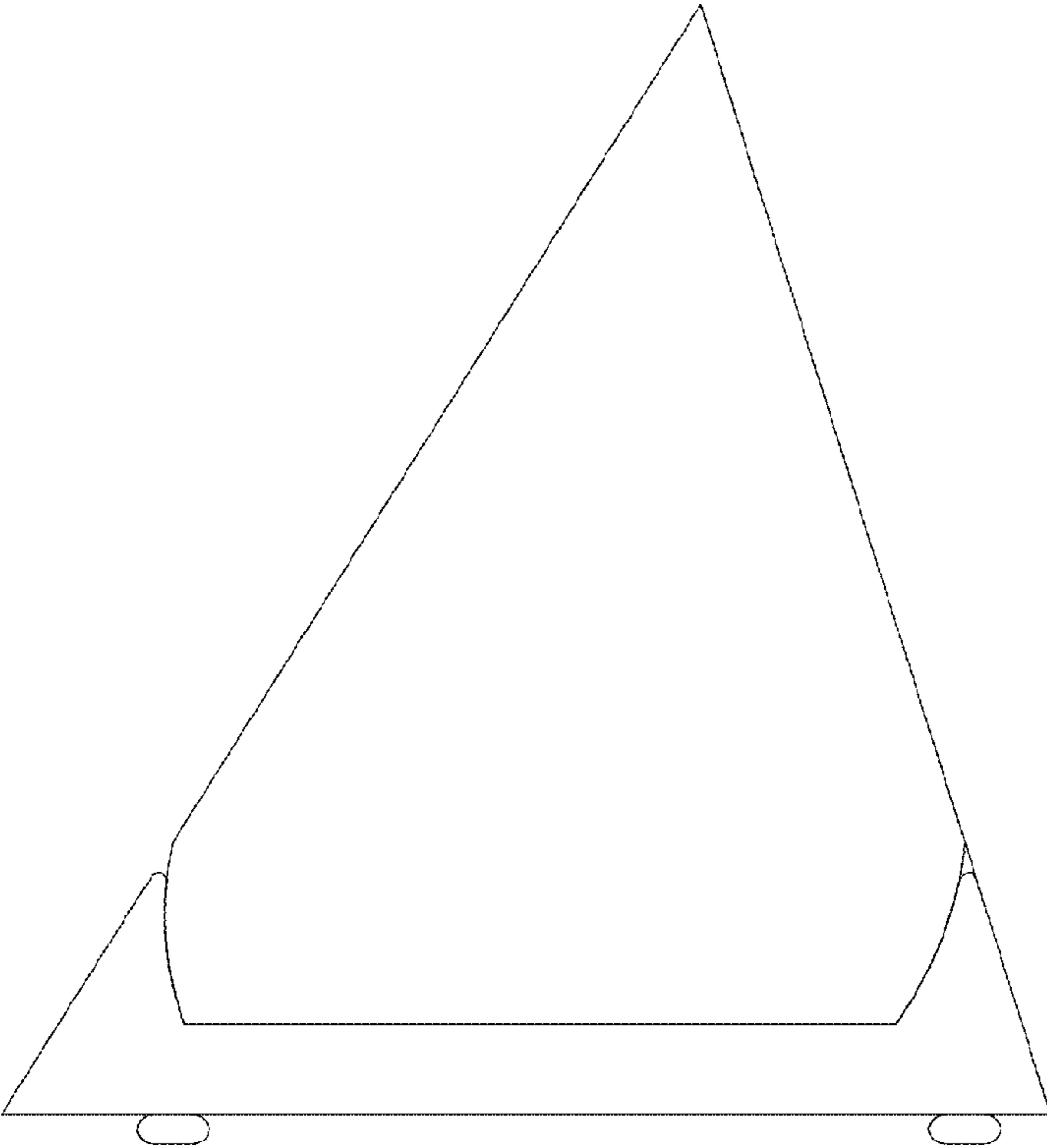


FIG. 4

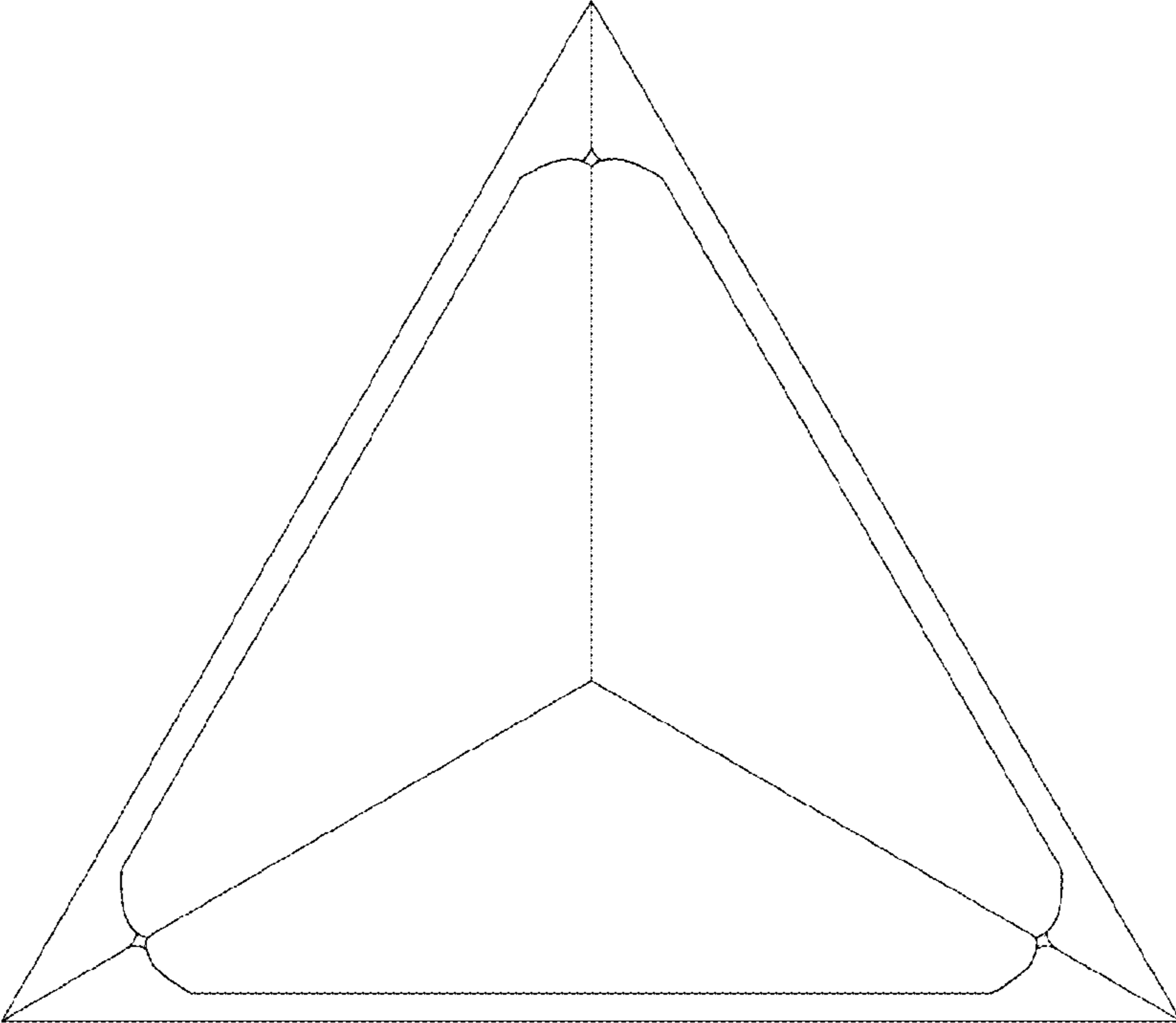


FIG. 5

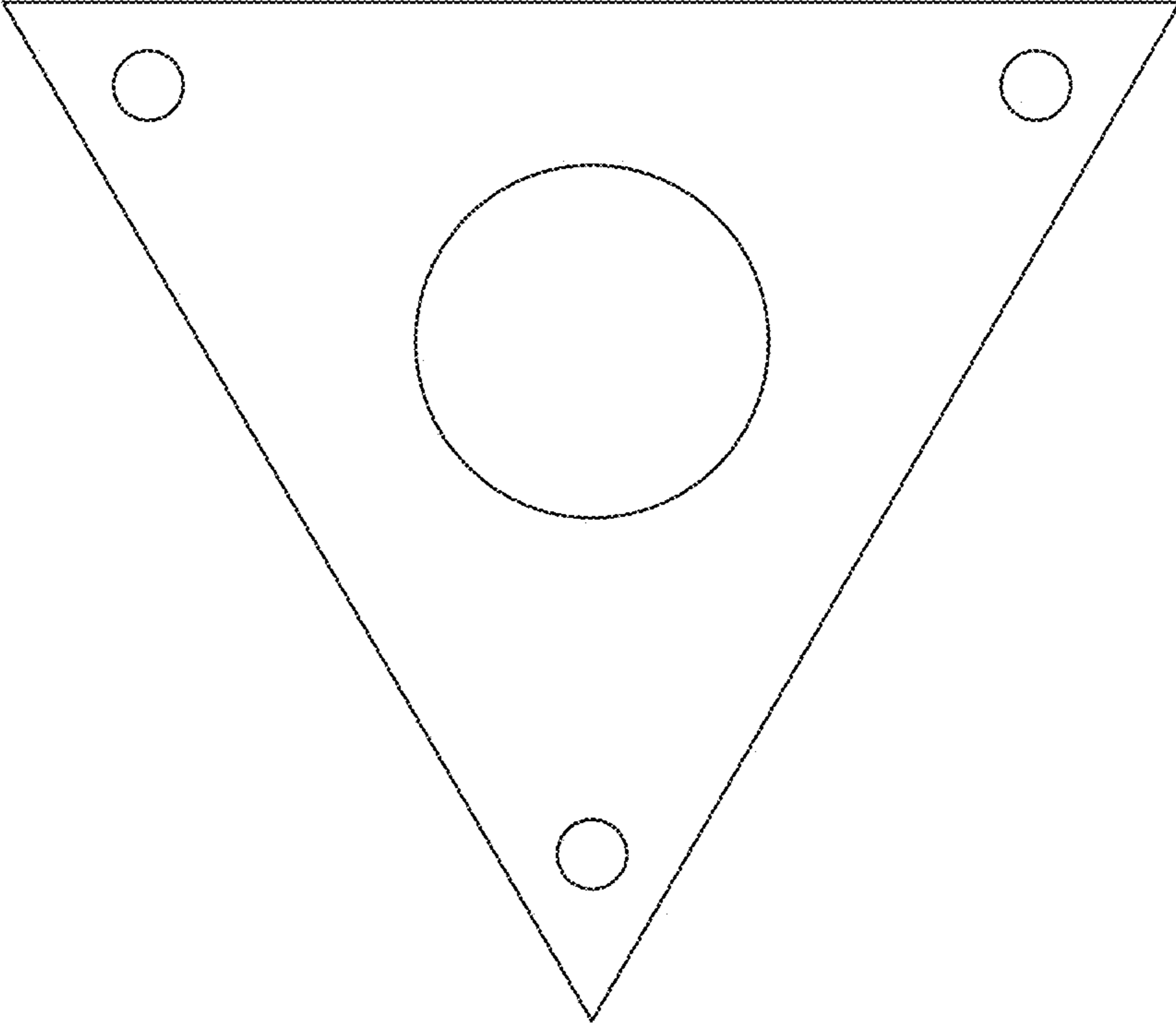


FIG. 6

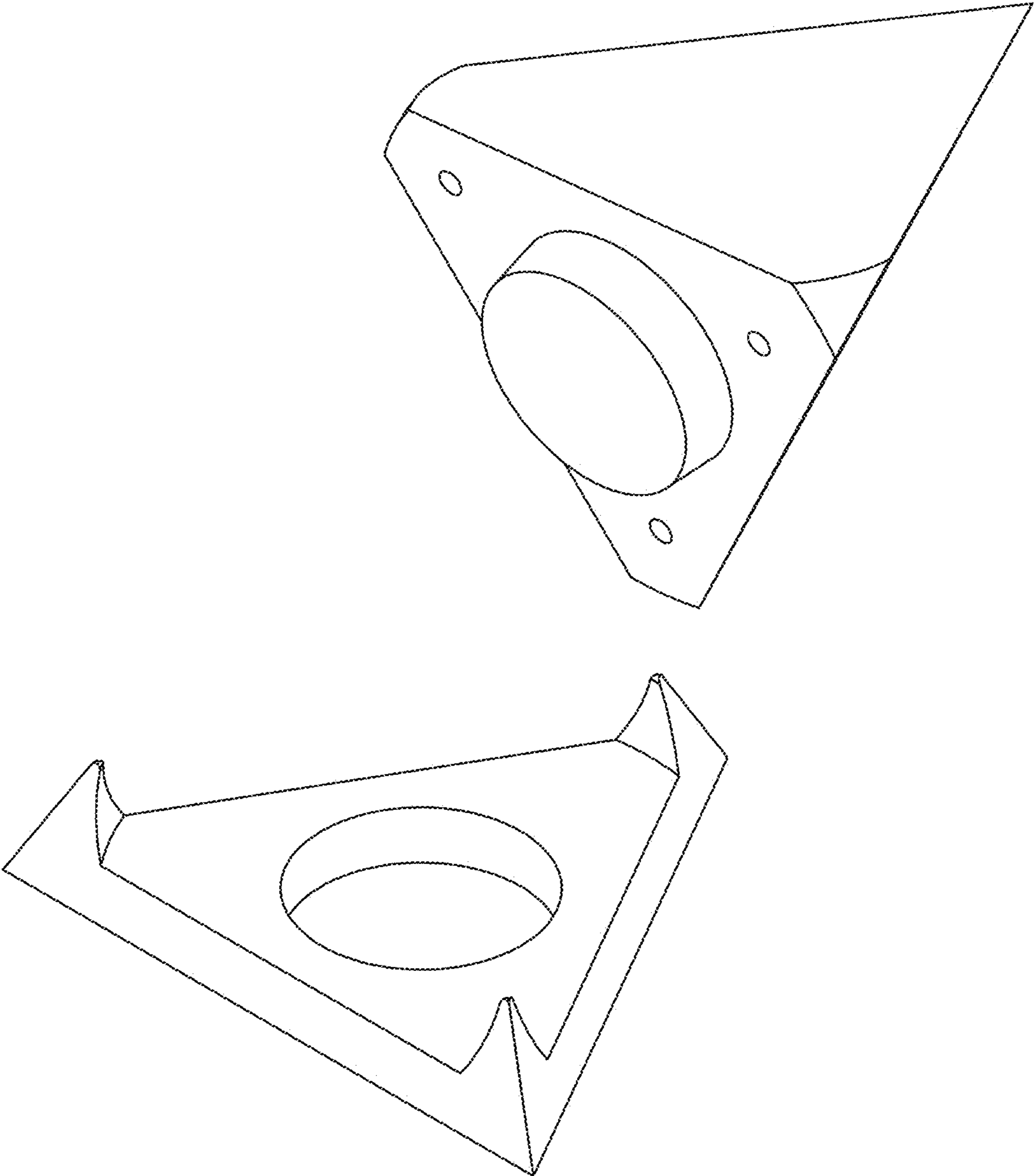


FIG. 7

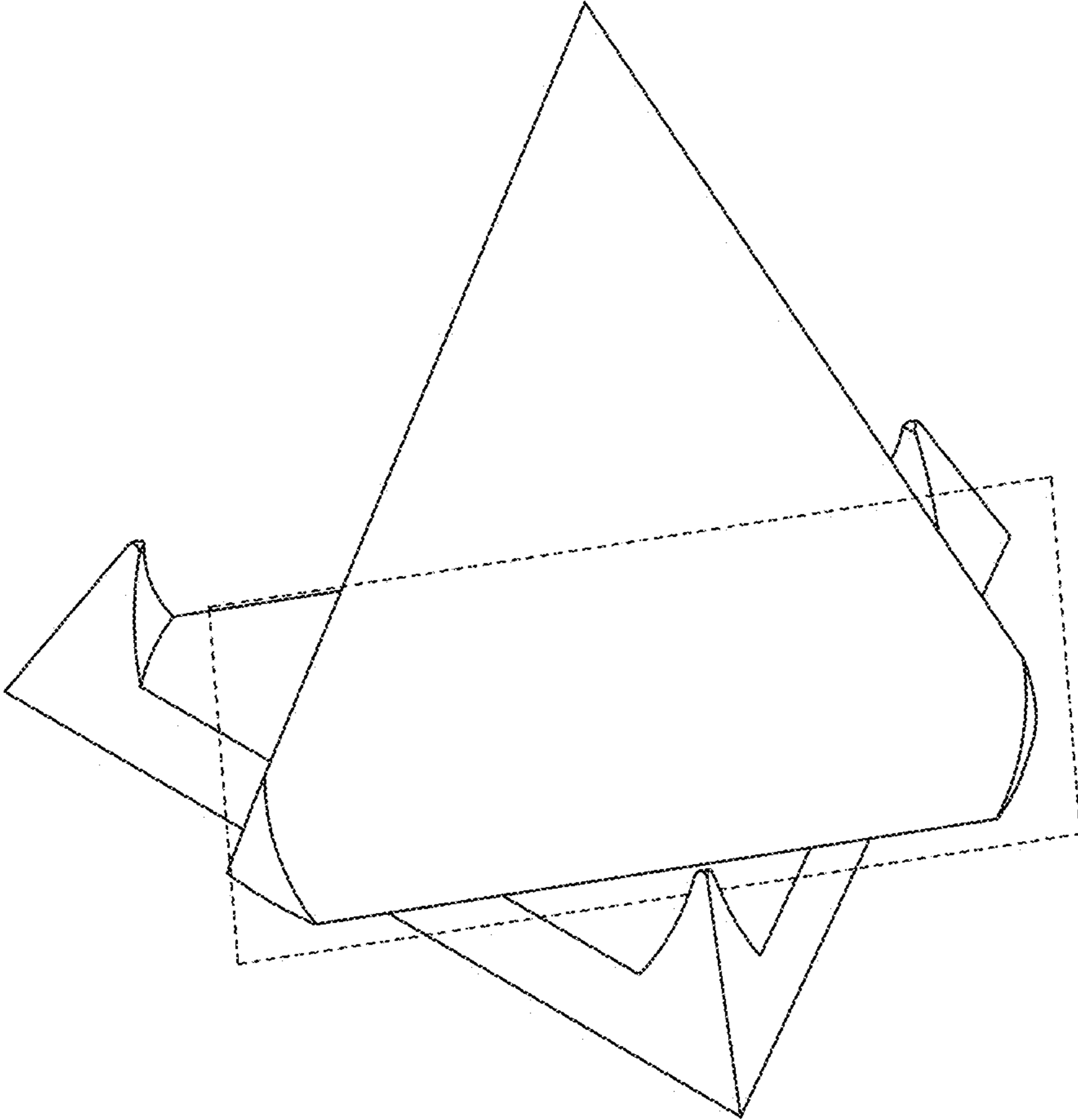


FIG. 8