



US00D978963S

(12) **United States Design Patent** (10) **Patent No.:** **US D978,963 S**  
**Ebner** (45) **Date of Patent:** **\*\* Feb. 21, 2023**

(54) **LAPAROSCOPY SIMULATOR**

FOREIGN PATENT DOCUMENTS

(71) Applicant: **Erbe Elektromedizin GmbH**,  
Tübingen (DE)

EM 002124230-0002 \* 10/2012  
EM 006387551-0007 \* 5/2019

(72) Inventor: **Martin Ebner**, Hechingen (DE)

OTHER PUBLICATIONS

(73) Assignee: **Erbe Elektromedizin GmbH**,  
Tübingen (DE)

Large type Laparoscopic Trainer, MadeinChina.com, Tineye, date found Jul. 7, 2016, date retrieved Jun. 23, 2022—29720055-https://tineye.com/search/340e381b6739f2233be4ce3b4440ad1e3fc0465b?sort=score&order=desc&page=1 (Year: 2016).\*

(\*\*) Term: **15 Years**

Laparoscopic Operation Simulator, alibaba.com, Tineye, date found Jun. 30, 2016, date retrieved Jun. 23, 2022—29720055-https://tineye.com/search/17c82245741375c0e3e4fbb4c0e25f6a73d7fe43?sort=score&order=desc&page=1 (Year: 2016).\*

(21) Appl. No.: **29/720,055**

(22) Filed: **Jan. 9, 2020**

\* cited by examiner

(30) **Foreign Application Priority Data**

Jul. 10, 2019 (EM) ..... 006619748

*Primary Examiner* — Nicole C Shiflet

(51) **LOC (14) Cl.** ..... **19-07**

*Assistant Examiner* — Danielle Nichole Bowly

(52) **U.S. Cl.**

(74) *Attorney, Agent, or Firm* — Sunstein LLP

USPC ..... **D19/62**

(58) **Field of Classification Search**

(57) **CLAIM**

USPC ..... D19/62, 63; D24/232; D6/671.1  
CPC ..... G09B 23/285; G09B 23/303; G09B 9/00  
See application file for complete search history.

The ornamental design for a laparoscopy simulator, as shown and described.

(56) **References Cited**

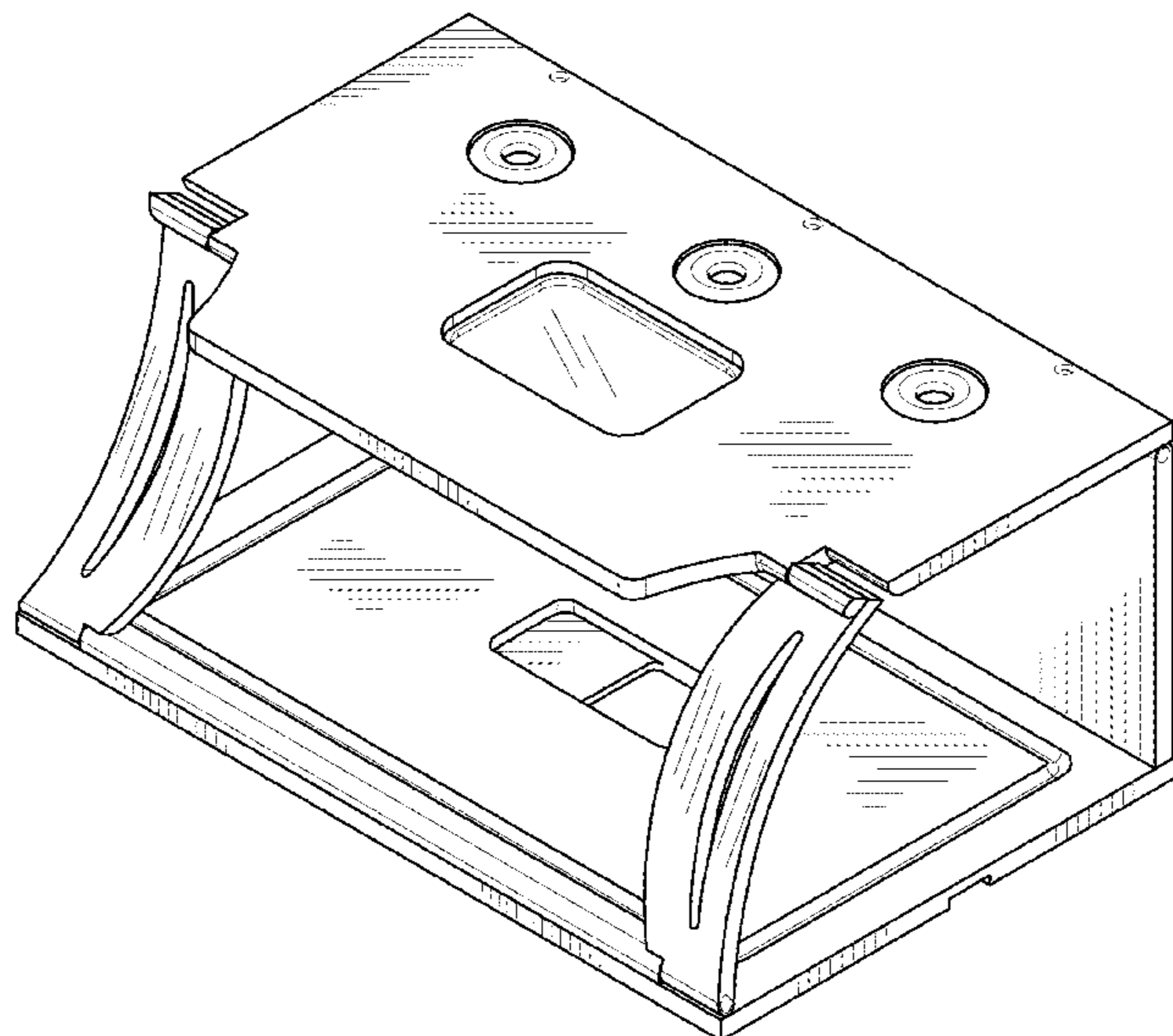
**DESCRIPTION**

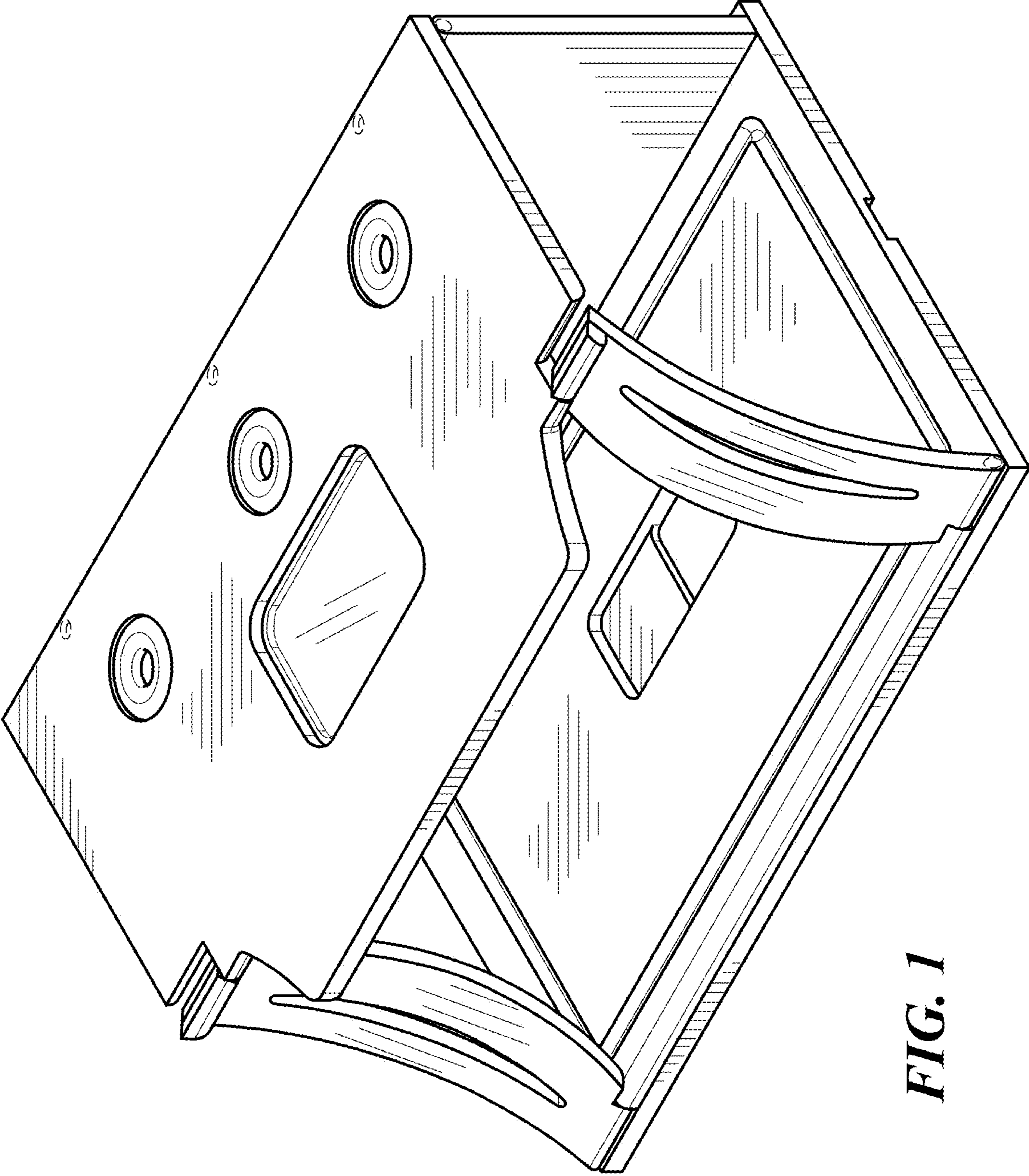
U.S. PATENT DOCUMENTS

D205,970 S	*	10/1966	Leifield	.....	D9/414
D242,793 S	*	12/1976	Kane	.....	D19/62
D261,279 S	*	10/1981	Barrett	.....	D19/62
D275,298 S	*	8/1984	Wimmershoff	.....	D19/62
D518,526 S	*	4/2006	Benn	.....	D19/90
D542,647 S	*	5/2007	Walter	.....	D9/414
D545,378 S	*	6/2007	Cropp	.....	D21/325
D571,401 S	*	6/2008	Greene	.....	D19/62
D679,094 S	*	4/2013	Scott	.....	D3/307
D764,279 S	*	8/2016	Sevšek	.....	D9/431
D828,157 S	*	9/2018	Paradis	.....	D9/432
D868,997 S	*	12/2019	Eubanks	.....	D24/232
D899,245 S	*	10/2020	Mori	.....	D9/433
D913,523 S	*	3/2021	Gardner	.....	D24/232

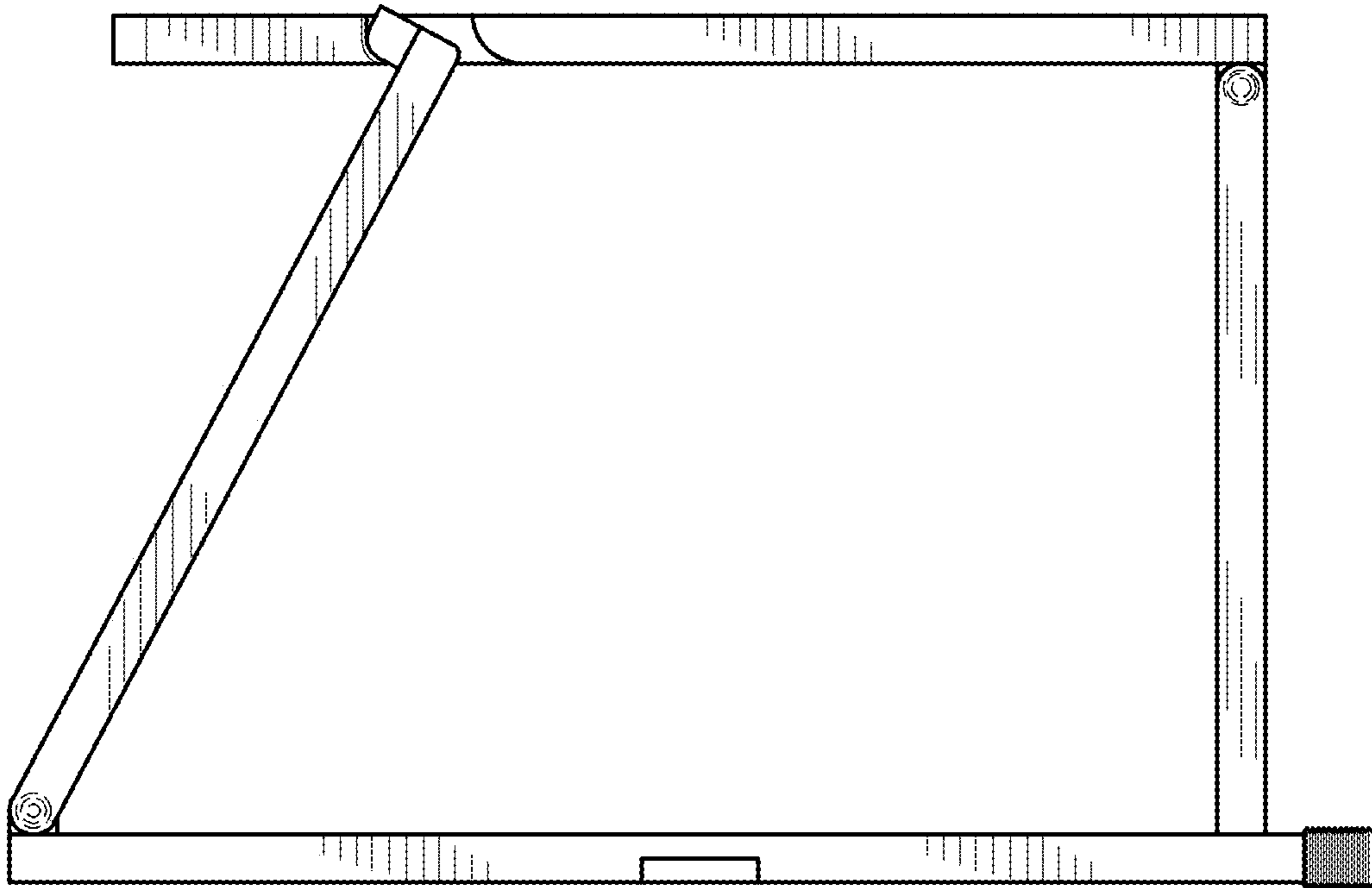
FIG. 1 is a rear perspective view of the laparoscopy simulator;  
FIG. 2 is a left side view thereof;  
FIG. 3 is a right side view thereof;  
FIG. 4 is a top view thereof;  
FIG. 5 is a bottom view thereof;  
FIG. 6 is a front view thereof; and,  
FIG. 7 is a rear view thereof.  
Those portions of the drawings indicated in broken lines form no part of the claimed design.

**1 Claim, 6 Drawing Sheets**

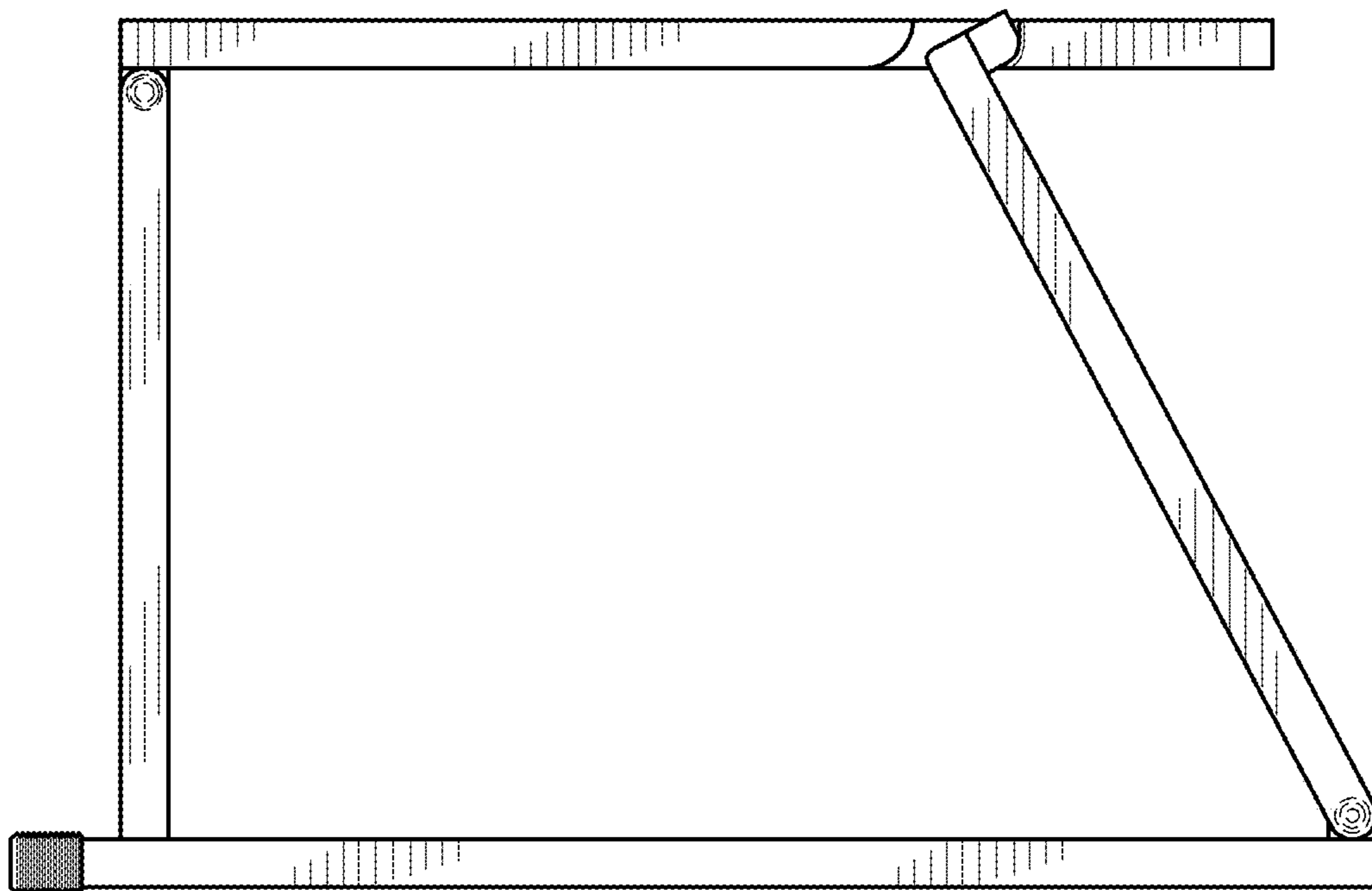




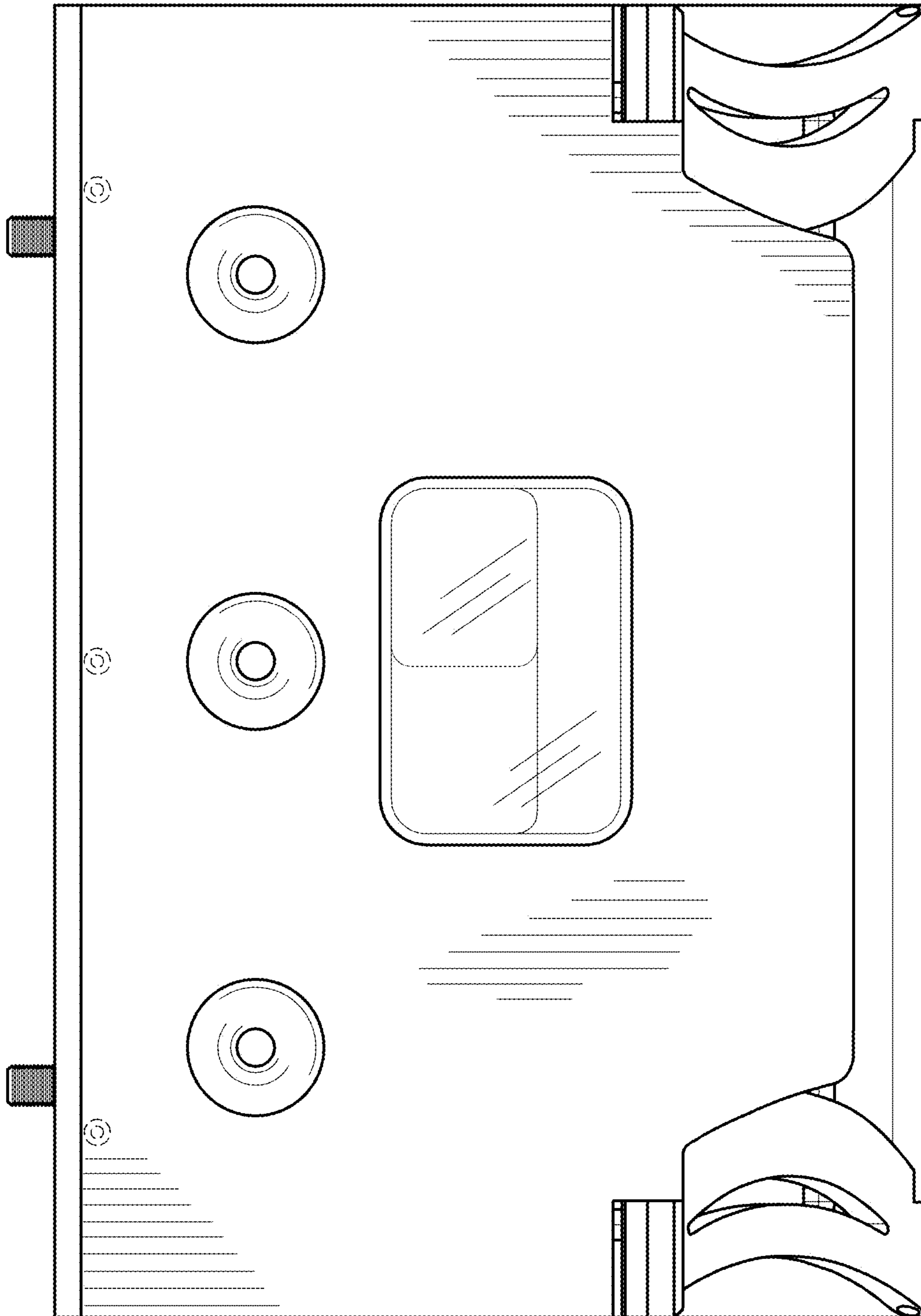
**FIG. 1**



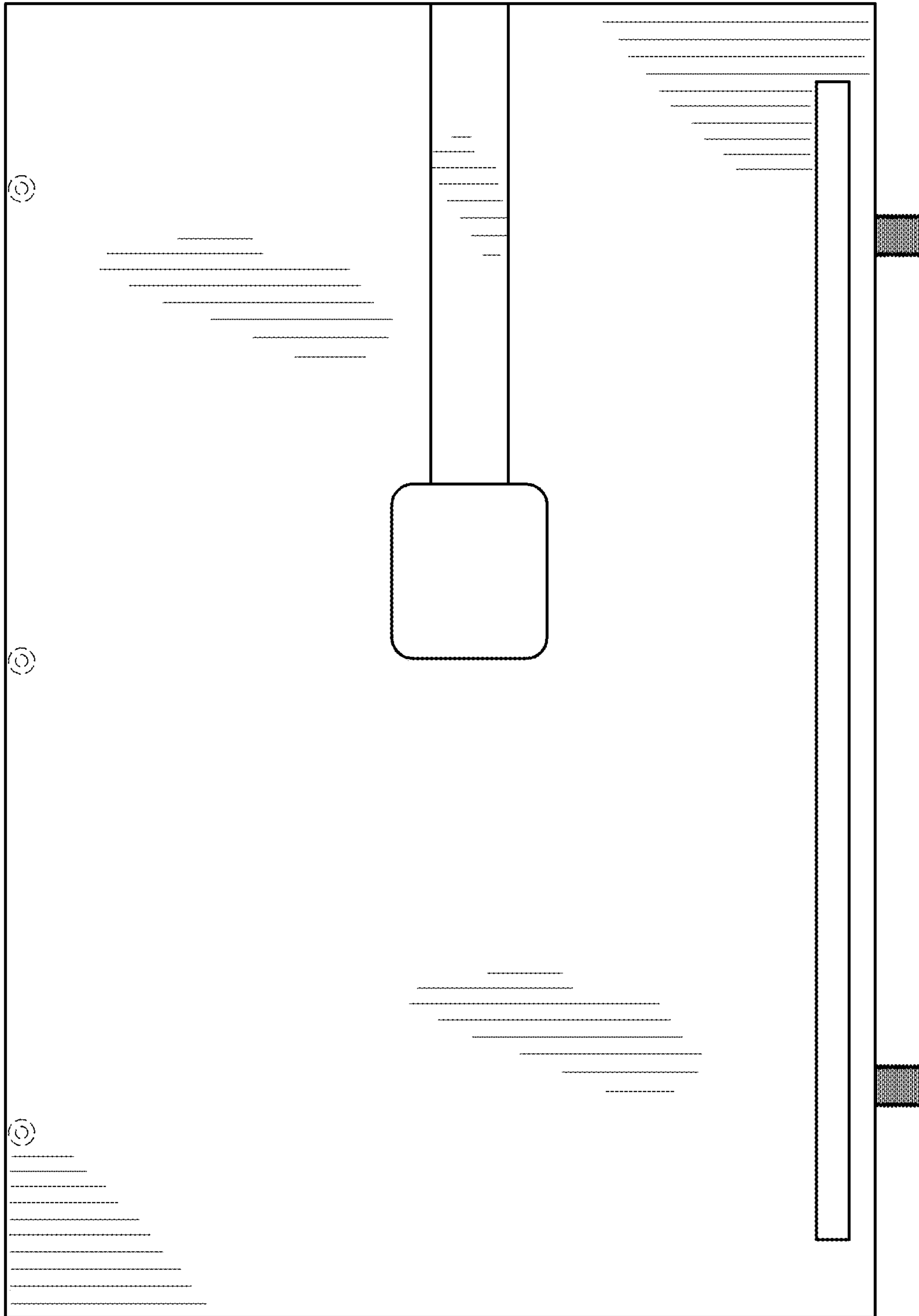
**FIG. 2**



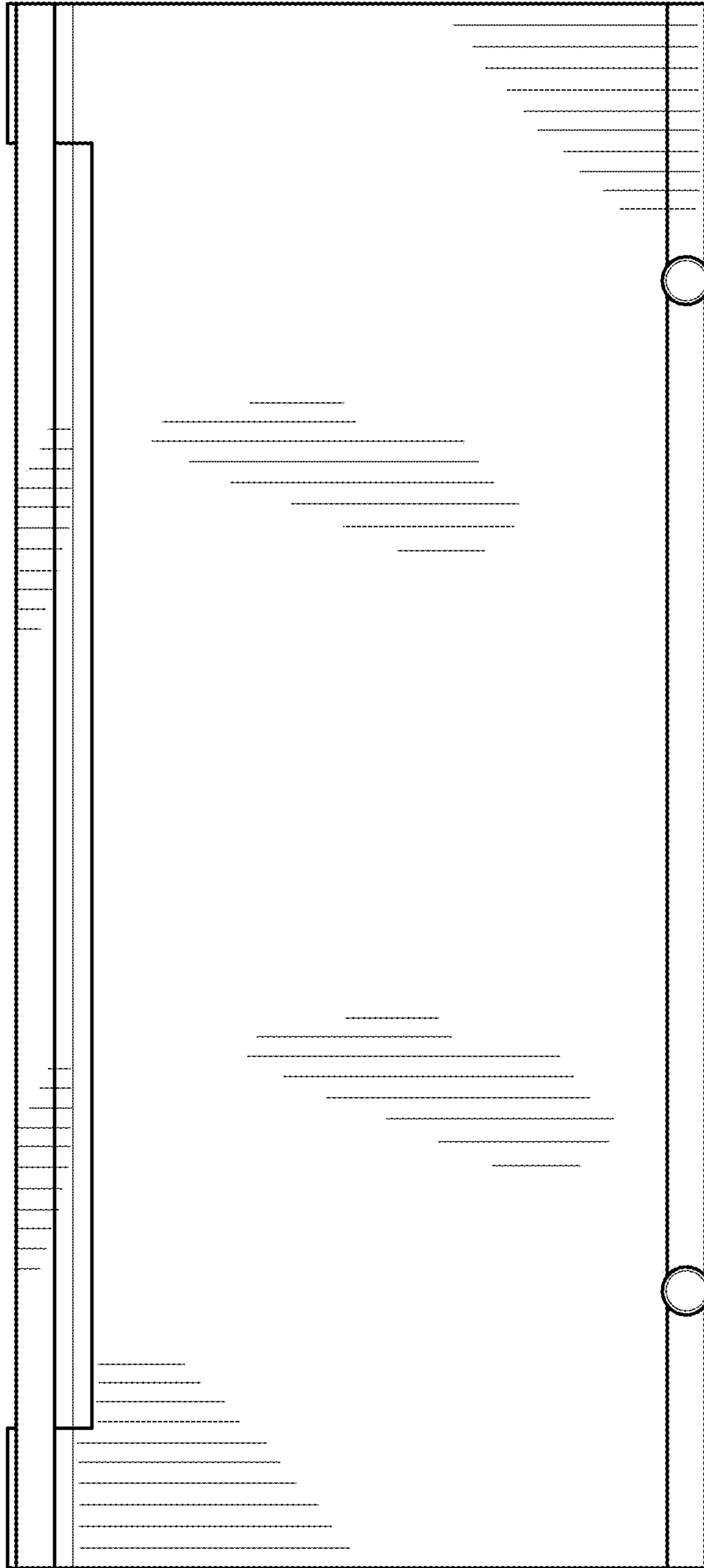
**FIG. 3**



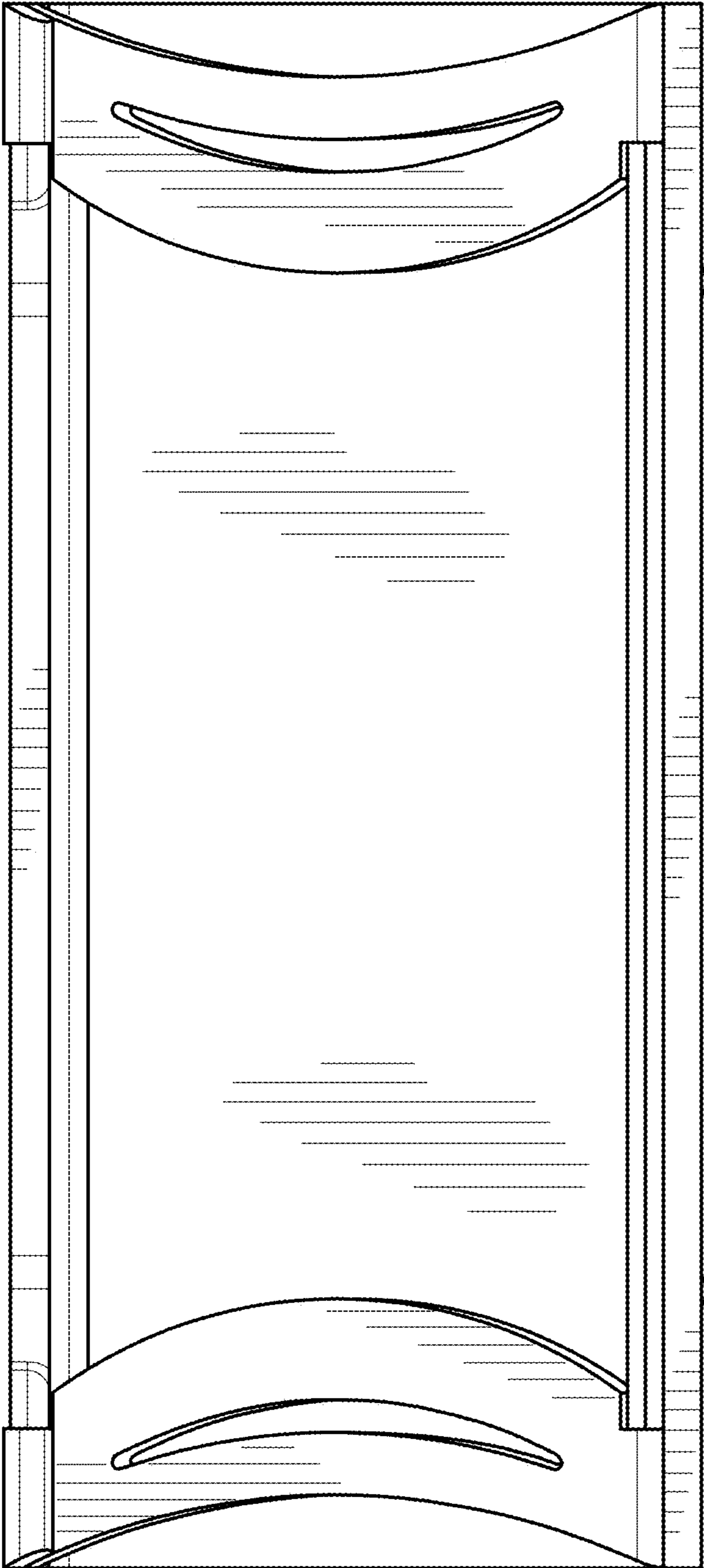
**FIG. 4**



**FIG. 5**



**FIG. 6**



**FIG. 7**