



US00D978954S

(12) **United States Design Patent** (10) **Patent No.:** **US D978,954 S**
Bong et al. (45) **Date of Patent:** **** Feb. 21, 2023**

(54) **VEHICLE CAMERA**
(71) Applicants: **Hyundai Motor Company**, Seoul (KR); **Kia Corporation**, Seoul (KR)
(72) Inventors: **Heung Sun Bong**, Seoul (KR); **Hyun Ho Cho**, Seoul (KR)
(73) Assignees: **Kia Corporation**, Seoul (KR); **Hyundai Motor Company**, Seoul (KR)
(**) Term: **15 Years**
(21) Appl. No.: **35/512,576**
(22) Filed: **Mar. 16, 2021**
(80) **Hague Agreement Data**
Int. Filing Date: **Mar. 16, 2021**
Int. Reg. No.: **DM/213759**
Int. Reg. Date: **Mar. 16, 2021**
Int. Reg. Pub. Date: **Sep. 17, 2021**

(30) **Foreign Application Priority Data**
Jan. 12, 2021 (KR) 30-2021-0001470
(51) **LOC (14) Cl.** **16-05**
(52) **U.S. Cl.**
USPC **D16/242**
(58) **Field of Classification Search**
USPC D16/200, 202-203, 206, 207, 218, 219, D16/237, 239, 242; D12/187
CPC H04N 5/232; G04G 21/02; G06F 1/1686
See application file for complete search history.

(56) **References Cited**
U.S. PATENT DOCUMENTS
D484,160 S * 12/2003 Kangasmaa D16/202
D501,016 S * 1/2005 Hamilton D16/208

D524,835 S * 7/2006 Barman D16/203
D575,707 S * 8/2008 Futschik D12/187
D621,313 S * 8/2010 Kimura D12/187
D747,390 S * 1/2016 Roth D16/218
D782,560 S * 3/2017 Li D16/208
D866,637 S * 11/2019 Xie D16/208
D888,129 S * 6/2020 Lee D16/208
D908,158 S * 1/2021 He D16/202
D924,762 S * 7/2021 Hamlin D12/187
2003/0147164 A1 * 8/2003 Chan B60R 1/082
359/868
2005/0174645 A1 * 8/2005 Boddy B60R 1/1207
359/599
2005/0200987 A1 * 9/2005 Pavao B60R 1/1207
359/838
2006/0050423 A1 * 3/2006 Secanu B60R 1/06
359/871

* cited by examiner

Primary Examiner — Holly E Thurman
(74) *Attorney, Agent, or Firm* — Fox Rothschild LLP

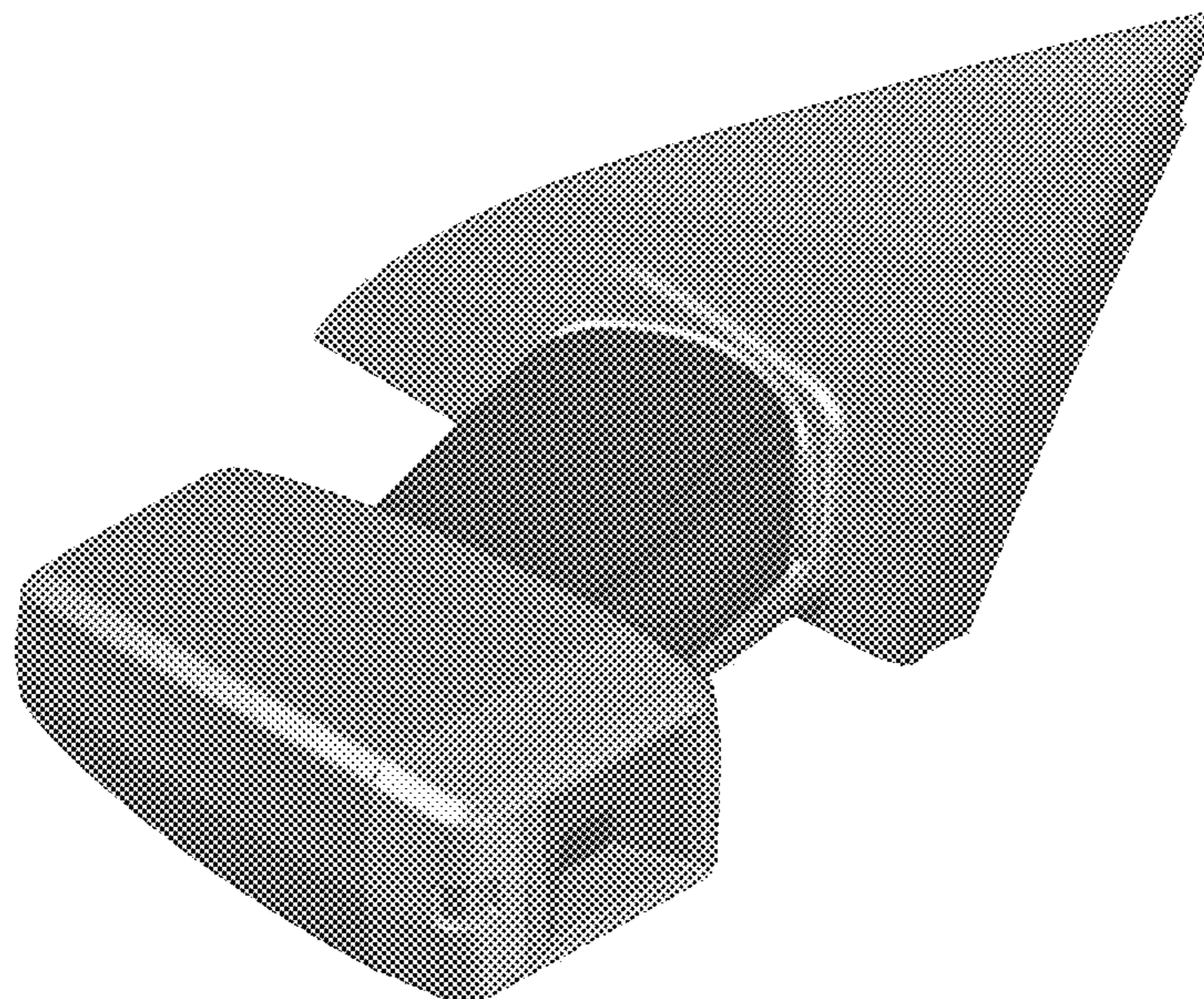
(57) **CLAIM**

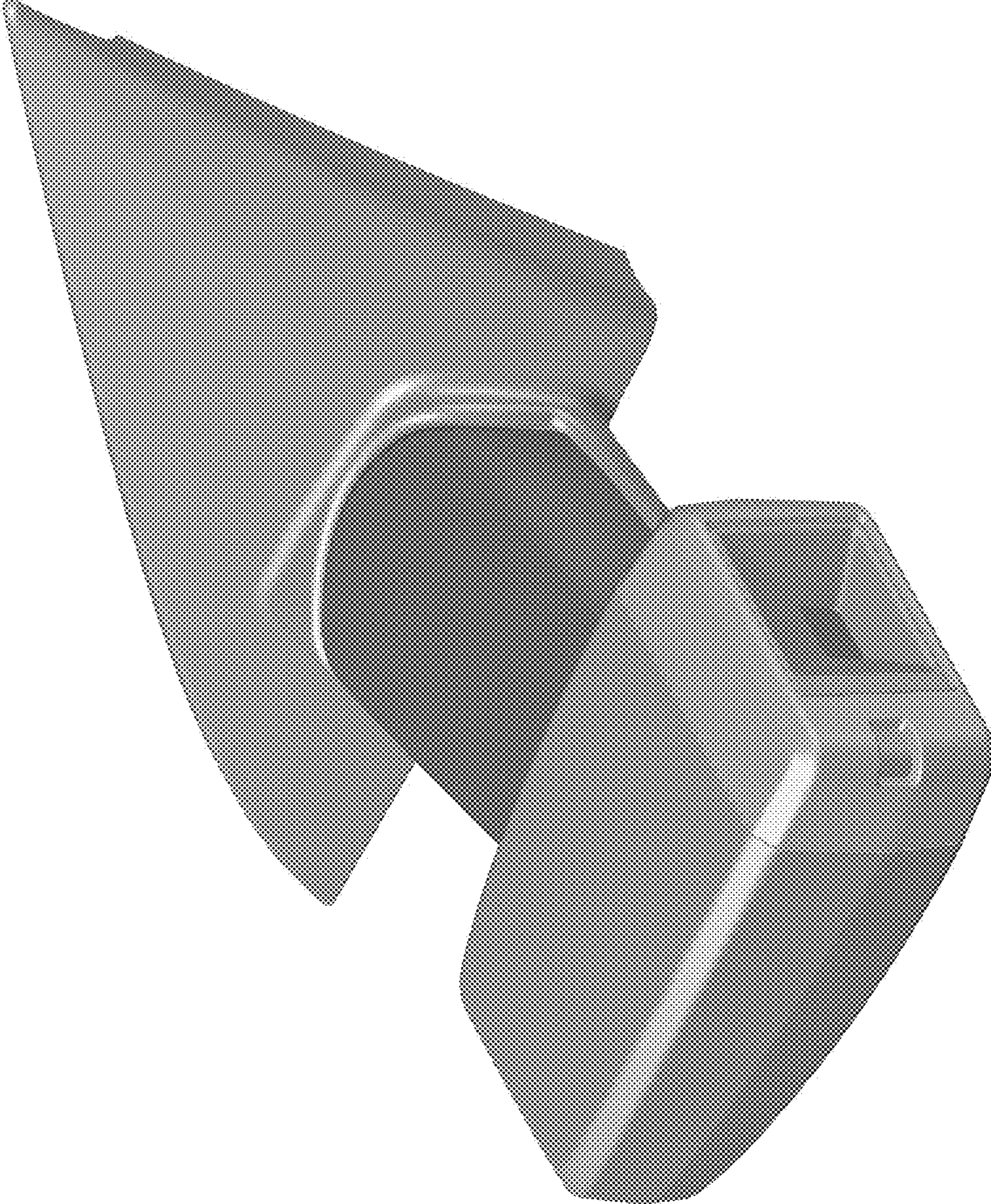
The ornamental design for a vehicle camera, as shown and described.

DESCRIPTION

- 1. Vehicle camera
- 1.1 : Perspective
- 1.2 : Front
- 1.3 : Back
- 1.4 : Left
- 1.5 : Right
- 1.6 : Top
- 1.7 : Bottom

1 Claim, 7 Drawing Sheets

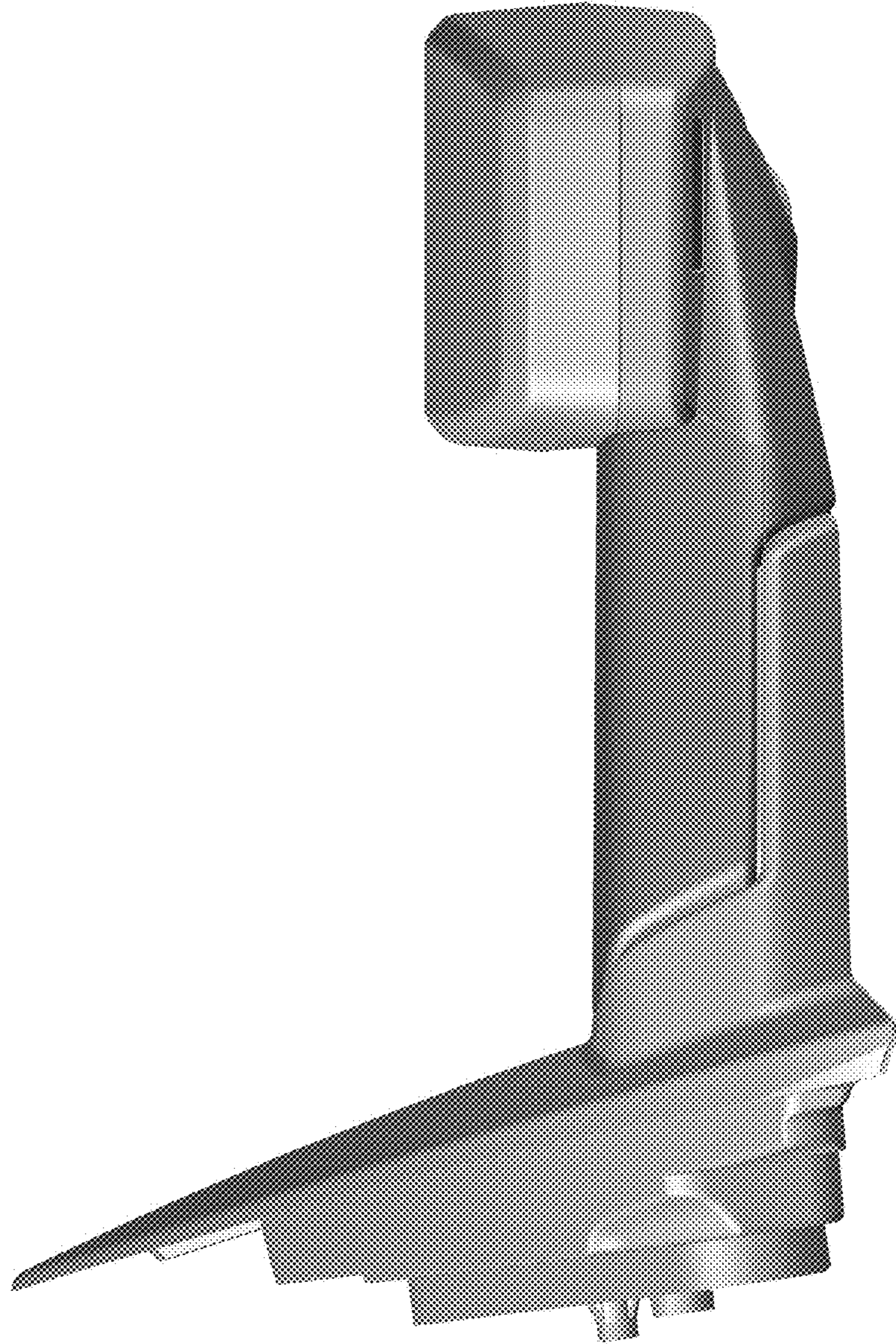




1.1



1.2



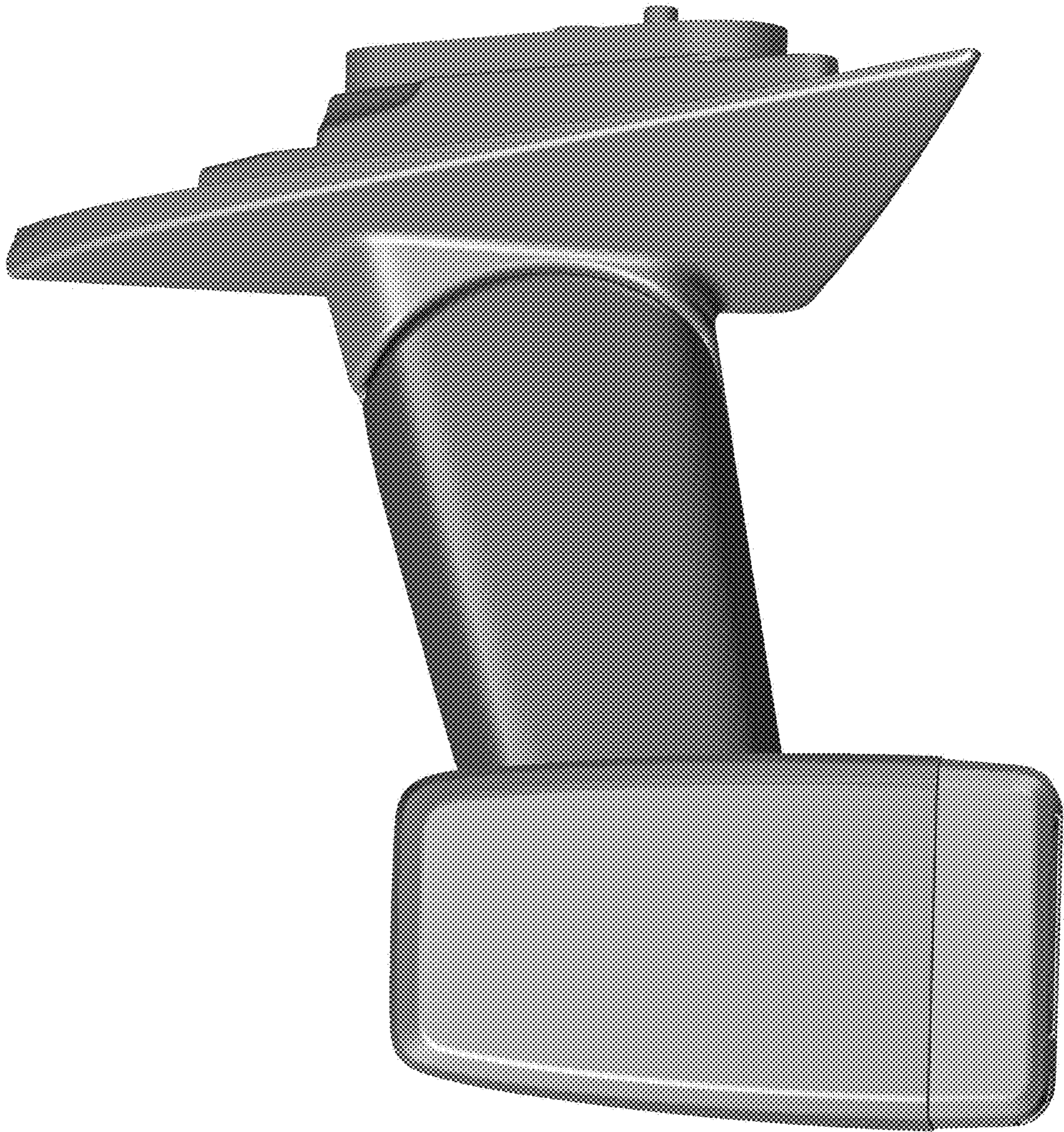
1.3



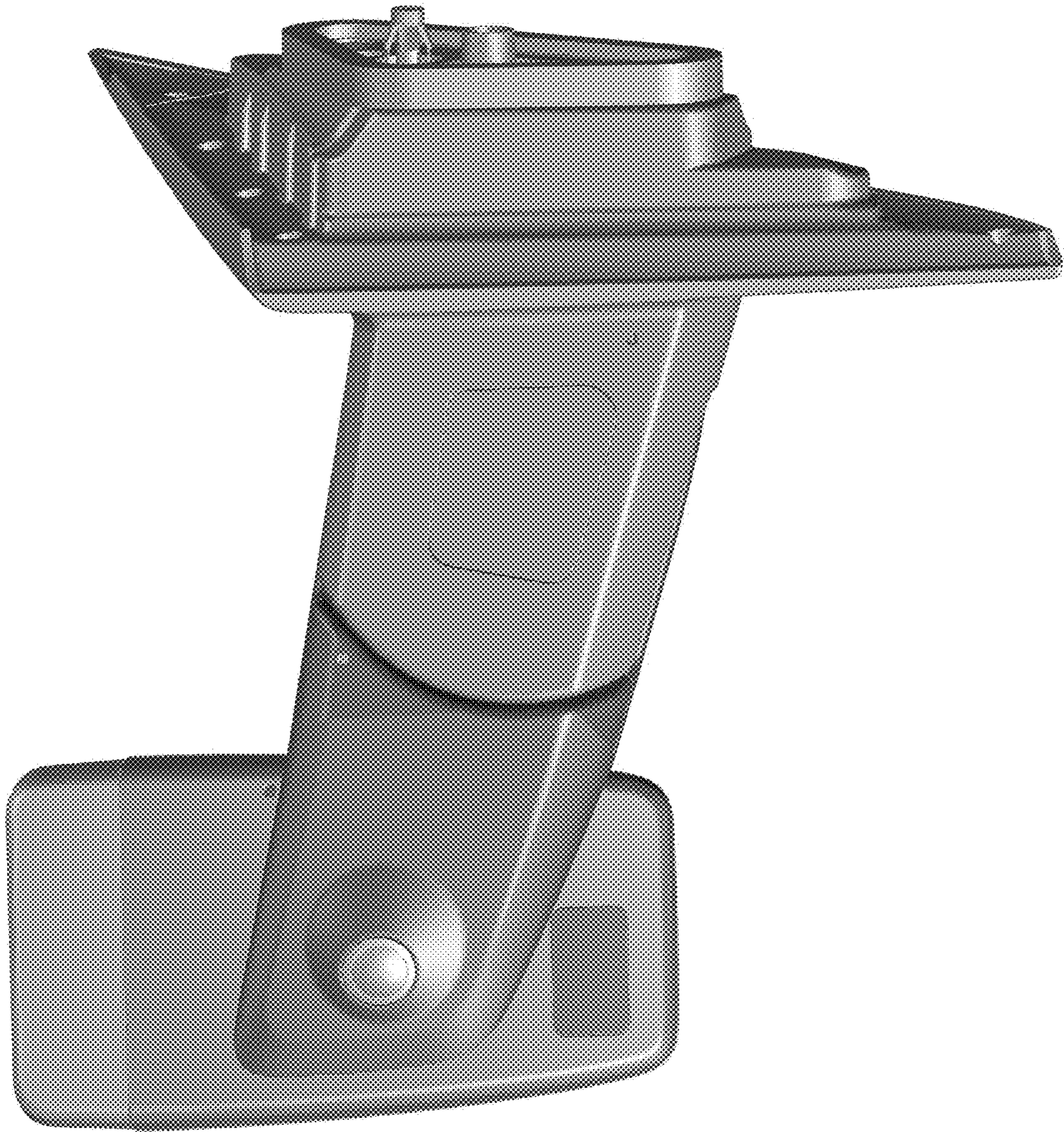
1.4



1.5



1.6



1.7