



US00D978953S

(12) **United States Design Patent**  
**Coster et al.**

(10) **Patent No.:** **US D978,953 S**

(45) **Date of Patent:** **\*\* Feb. 21, 2023**

(54) **CAMERA HOUSING**

(71) Applicant: **GoPro, Inc.**, San Mateo, CA (US)

(72) Inventors: **Daniel J. Coster**, Oakura (NZ); **Bessy Liang**, San Jose, CA (US); **Huy Phuong Nguyen**, Alpine, UT (US); **John George Muhlenkamp, IV**, Brisbane, CA (US); **Jordan Todd**, Piedmont, CA (US)

(73) Assignee: **GoPro, Inc.**, San Mateo, CA (US)

(\*\*) Term: **15 Years**

(21) Appl. No.: **29/842,487**

(22) Filed: **Jun. 14, 2022**

**Related U.S. Application Data**

(60) Continuation of application No. 29/805,978, filed on Aug. 31, 2021, now Pat. No. Des. 957,503, which is (Continued)

(51) **LOC (14) Cl.** ..... **16-05**

(52) **U.S. Cl.**  
USPC ..... **D16/219**; D16/200

(58) **Field of Classification Search**  
USPC ..... D16/200, 202–208, 218, 219; 348/164, 348/373–376; 396/448, 535, 539–541  
(Continued)

(56) **References Cited**

**U.S. PATENT DOCUMENTS**

679,881 A 8/1901 Bullard  
1,467,556 A 9/1923 Nagel  
(Continued)

**FOREIGN PATENT DOCUMENTS**

CN 302944108 5/2014  
CN 303933789 6/2016  
GB 4034453 3/2014

**OTHER PUBLICATIONS**

Action Video Suction Cup. [online] Published date Oct. 23, 2014. Retrieved on Nov. 2, 2016 from <URL: <[https://www.amazon.com/Suction-Locking-JOBY-Easy-Anti-Vibration-Cameras/dp/B0008R7A72/ref=pd\\_sim\\_421\\_2?encoding=UTF8&pd\\_rd\\_i=B0008R7A72&pd\\_rd\\_r=AGCVZH2ZHQKHT5BBX2GZ&pd\\_rd\\_w=7Jkpc&pd\\_rd\\_wg=OMkYF&psc=1&refRID=AGCVZH2ZHQKHT5BBX2GZ](https://www.amazon.com/Suction-Locking-JOBY-Easy-Anti-Vibration-Cameras/dp/B0008R7A72/ref=pd_sim_421_2?encoding=UTF8&pd_rd_i=B0008R7A72&pd_rd_r=AGCVZH2ZHQKHT5BBX2GZ&pd_rd_w=7Jkpc&pd_rd_wg=OMkYF&psc=1&refRID=AGCVZH2ZHQKHT5BBX2GZ)>. (9 pages).

(Continued)

*Primary Examiner* — Ramzi Almatrahi

(74) *Attorney, Agent, or Firm* — Young Basile Hanlon & MacFarlane, P.C.

(57) **CLAIM**

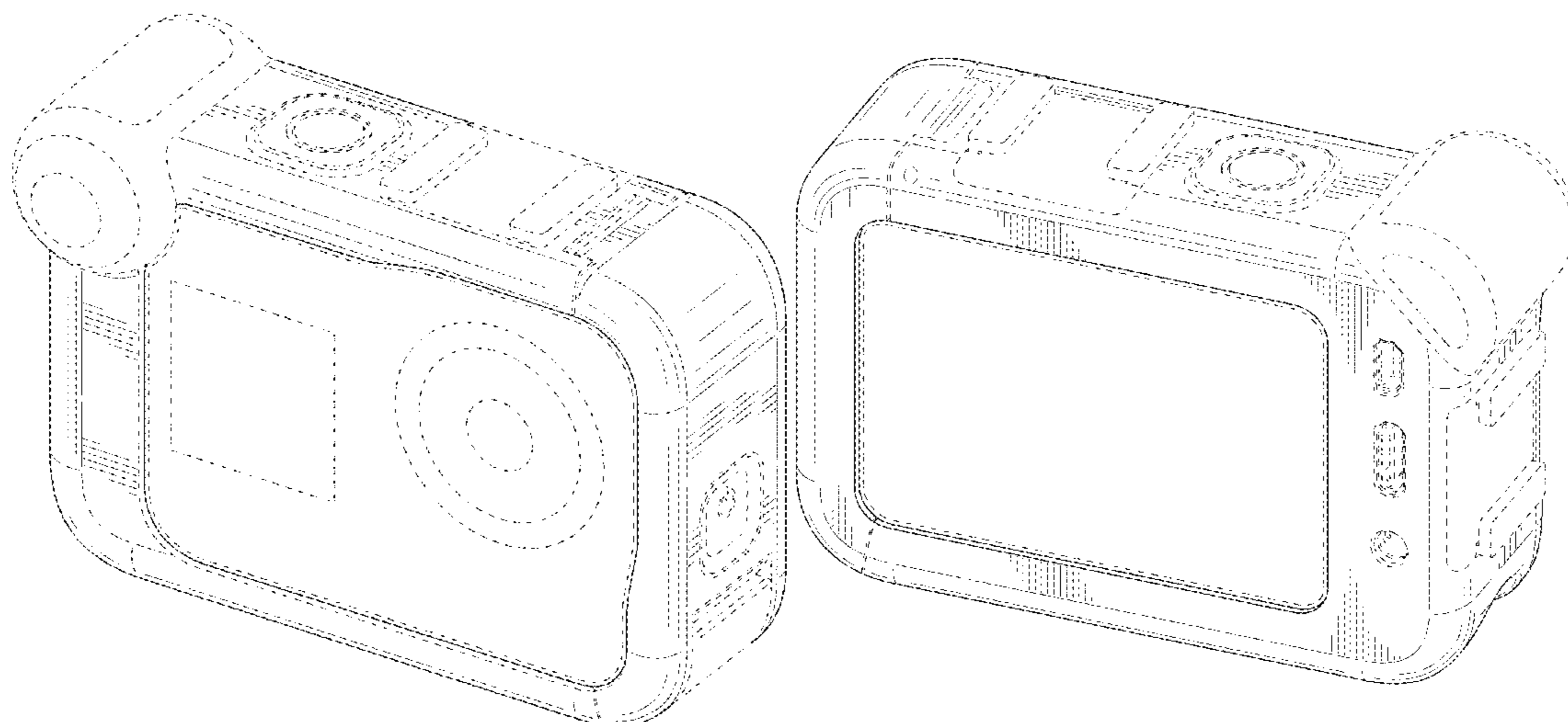
The ornamental design for a camera housing, as shown and described.

**DESCRIPTION**

FIG. 1 is a top, front, and right side perspective view of a camera housing showing our new design;  
FIG. 2 is a bottom, rear, and right side perspective view thereof;  
FIG. 3 is a top, rear, and left side perspective view thereof;  
FIG. 4 is a front elevation view thereof;  
FIG. 5 is a rear elevation view thereof;  
FIG. 6 is a left elevation view thereof;  
FIG. 7 is a right elevation view thereof;  
FIG. 8 is a top plan view thereof; and,  
FIG. 9 is a bottom plan view thereof.

The broken lines depict portions of the camera housing in which the design is embodied that form no part of the claimed design. Additionally, the broken lines showing a camera within the camera housing in FIGS. 1-9 represent environmental structure and form no part of the claimed design.

**1 Claim, 8 Drawing Sheets**



**Related U.S. Application Data**

a division of application No. 29/771,317, filed on Feb. 22, 2021, now Pat. No. Des. 929,489, which is a division of application No. 29/705,667, filed on Sep. 13, 2019, now Pat. No. Des. 911,411.

(58) **Field of Classification Search**

CPC ..... G03B 17/02; G03B 19/04; G03B 17/56; G03B 17/04; G03B 15/03; H04N 5/2251; H04N 5/2252; H04N 5/2253; H04N 5/2254; H04N 7/181; H04N 7/183; H04N 7/18; G08B 13/1963; G08B 13/19619; G08B 13/19632; F16M 11/04; F16M 13/00

See application file for complete search history.

(56) **References Cited**

U.S. PATENT DOCUMENTS

1,612,277 A 12/1926 Leo  
 2,336,104 A 12/1943 Laube  
 4,341,452 A 7/1982 Korling  
 D265,829 S 8/1982 Shimoda  
 4,646,141 A 2/1987 Timmermans  
 4,763,151 A 8/1988 Klinger  
 D298,760 S 11/1988 Yoshida  
 5,092,552 A 3/1992 Dayton  
 5,325,139 A 6/1994 Matsumoto  
 D349,126 S 7/1994 Lee  
 5,353,079 A 10/1994 Sakai  
 5,576,781 A 11/1996 Deleeuw  
 5,738,321 A 4/1998 Moriyasu  
 D441,386 S 5/2001 Yamazaki  
 6,347,893 B1 2/2002 Shiono  
 D469,338 S 1/2003 Chace  
 D491,968 S 6/2004 Isshiki  
 D492,953 S 7/2004 Mitsuse  
 D499,131 S 11/2004 Tania  
 D504,904 S 5/2005 Nagai  
 D515,121 S 2/2006 Bleau  
 D550,741 S 9/2007 Vernon  
 D563,486 S 3/2008 Slater  
 D582,955 S 12/2008 Sekine  
 7,537,399 B2 5/2009 Mayumi  
 D594,050 S 6/2009 Grtner  
 7,621,680 B2 11/2009 Frick  
 D616,480 S 5/2010 Ookawa  
 3,014,656 A1 9/2011 Woodman  
 D646,313 S 10/2011 Woodman  
 D647,554 S 10/2011 Yim  
 D647,935 S 11/2011 Raken  
 D653,687 S 2/2012 Yu  
 D657,808 S 4/2012 Woodman  
 D674,428 S 1/2013 Woodman  
 D684,569 S 6/2013 Willenborg  
 8,467,675 B2 6/2013 Chen  
 D692,507 S 10/2013 Meys  
 8,544,643 B2 10/2013 Yim  
 8,596,890 B2 12/2013 Yim  
 D699,276 S 2/2014 Samuels  
 D699,277 S 2/2014 Samuels  
 D702,747 S 4/2014 Woodman  
 8,718,457 B2 5/2014 Clark  
 D706,603 S 6/2014 Kokawa  
 D710,921 S 8/2014 Gioscia  
 D710,922 S 8/2014 Gioscia  
 8,794,579 B2 8/2014 Sturman  
 D722,097 S 2/2015 Kim  
 D724,637 S 3/2015 Samuels  
 D724,638 S 3/2015 Samuels  
 D725,169 S 3/2015 Gioscia  
 D727,387 S 4/2015 Hasegawa  
 9,004,783 B1 4/2015 Woodman  
 D730,423 S 5/2015 Vandenbussche  
 D732,601 S 6/2015 Coyle

D733,787 S 7/2015 Baker  
 D733,788 S 7/2015 Baker  
 D736,848 S 8/2015 Kim  
 D737,647 S 9/2015 Elder  
 D739,451 S 9/2015 Gioscia  
 D740,876 S 10/2015 Woodman  
 D745,589 S 12/2015 Lee  
 D749,164 S 2/2016 Raccah  
 D750,146 S 2/2016 Costa  
 D750,680 S 3/2016 Chen  
 D750,687 S 3/2016 Samuels  
 D752,671 S 3/2016 Harrison  
 D752,672 S 3/2016 Clearman  
 9,282,226 B2 3/2016 Samuels  
 D754,230 S 4/2016 Mori  
 D754,240 S 4/2016 Samuels  
 D755,277 S 5/2016 Shnholz  
 D758,474 S 6/2016 Harrison  
 D759,141 S 6/2016 Bacon  
 D759,145 S 6/2016 Lee  
 D760,309 S 6/2016 Parfitt  
 D760,312 S 6/2016 Lee  
 9,360,742 B1 6/2016 Harrison  
 D762,759 S 8/2016 Wu  
 D763,941 S 8/2016 Smith  
 D768,228 S 10/2016 Muhlenkamp, IV  
 D768,752 S 10/2016 Silver  
 D768,754 S 10/2016 Bennett  
 D769,346 S 10/2016 Nguyen  
 D773,546 S 12/2016 Nguyen  
 D776,738 S 1/2017 Clearman  
 D776,741 S 1/2017 Parfitt  
 D777,239 S 1/2017 Costa  
 D783,079 S 4/2017 Lee  
 D785,068 S 4/2017 Patsis  
 9,635,226 B2 4/2017 Samuels  
 D785,696 S 5/2017 Parfitt  
 D785,697 S 5/2017 Costa  
 D790,000 S 6/2017 Wang  
 D790,002 S 6/2017 Nguyen  
 D800,815 S 10/2017 Clearman  
 D800,819 S 10/2017 Parfitt  
 9,816,666 B2 11/2017 Wang  
 D806,775 S 1/2018 Nguyen  
 D808,163 S 1/2018 Song  
 9,880,451 B2 1/2018 Clearman  
 9,894,278 B2 2/2018 Wei  
 9,894,279 B2 2/2018 Wei  
 9,903,533 B2 2/2018 Wei  
 D816,751 S 5/2018 Harrison  
 D819,117 S 5/2018 Lee  
 D821,476 S 6/2018 Martin  
 D827,696 S 9/2018 Crow  
 D827,697 S 9/2018 Crow  
 10,101,637 B2 10/2018 Peddecord  
 D837,861 S 1/2019 Luo  
 D840,463 S 2/2019 Nguyen  
 D846,620 S 4/2019 Katori  
 D848,500 S 5/2019 Miyashita  
 D849,084 S 5/2019 Hu  
 D850,520 S 6/2019 Voss  
 D851,155 S 6/2019 Hu  
 D854,597 S 7/2019 Gao  
 D856,391 S 8/2019 Liu  
 D861,761 S 10/2019 Bergman  
 D867,420 S 11/2019 Zhang  
 D867,427 S 11/2019 Bai  
 D868,871 S 12/2019 Nguyen  
 D869,539 S 12/2019 Hu  
 D871,480 S 12/2019 Hu  
 D872,156 S 1/2020 Zhao  
 D880,567 S 4/2020 Zhang  
 D880,569 S 4/2020 Zhang  
 D881,254 S 4/2020 Guo  
 D884,061 S 5/2020 Arens  
 D888,792 S 6/2020 Luo  
 D890,835 S 7/2020 Nguyen  
 D891,500 S 7/2020 Tang  
 D904,498 S 12/2020 Lim

(56)

References Cited

U.S. PATENT DOCUMENTS

D907,680	S	1/2021	Nguyen	
D908,778	S	1/2021	Xu	
D909,450	S	2/2021	Grant	
D911,411	S	2/2021	Coster	
D911,412	S	2/2021	Alberstein	
D912,120	S	3/2021	Druker	
D920,419	S	5/2021	Muhlenkamp, IV	
D921,084	S	6/2021	Muhlenkamp, IV	
D924,297	S	7/2021	Imai	
D926,853	S	8/2021	Wei	
D929,489	S	8/2021	Coster	
D933,115	S	10/2021	Druker	
D934,945	S	11/2021	Wu	
D935,506	S	11/2021	Tan	
D939,608	S	12/2021	Han	
D941,904	S	1/2022	Coster	
11,258,988	B1	2/2022	Douglas Dudley	
D946,071	S	3/2022	Muhlenkamp	
D946,072	S	3/2022	Muhlenkamp	
D953,404	S *	5/2022	Au	D16/200
D953,406	S *	5/2022	Druker	D16/200
D954,125	S *	6/2022	Muhlenkamp, IV	D16/200
D954,128	S *	6/2022	Coster	D16/219
D954,776	S *	6/2022	Muhlenkamp, IV	D16/200
2002/0046218	A1	4/2002	Gilbert	
2007/0071423	A1	3/2007	Fantone	
2008/0152337	A1	6/2008	Gartner	
2011/0317065	A1	12/2011	Lin	
2014/0185853	A1	7/2014	Aihara	
2014/0198932	A1	7/2014	Parkins	
2014/0226055	A1	8/2014	Schmidt	
2015/0168815	A1	6/2015	Chen	
2015/0316835	A1	11/2015	Scott	
2015/0326748	A1	11/2015	Tisch	
2016/0004142	A1	1/2016	Zhang	
2016/0100083	A1	4/2016	Harrison	
2016/0229556	A1	8/2016	Zhou	
2016/0246162	A1	8/2016	Niemeyer	
2017/0059967	A1	3/2017	Harrison	
2017/0192341	A1	7/2017	Casarez	
2019/0079373	A1	3/2019	Wang	
2019/0161208	A1	5/2019	Sun	
2022/0053118	A1	2/2022	Nashizawa	

OTHER PUBLICATIONS

Google Express IGoPro Karma Harness for HERO4 Black/Silver Camera—AGFHA-001 , first reviewed on Mar. 17, 2017, © 2018 Google [online], [site visited Mar. 16, 2018]. Available from Internet, <URL: <https://goo.gl/hugSGv/>> 1 page.

GoPro i Shop i Mounts & Accessories, posted on Nov. 16, 2017, © 2018 GoPro, Inc. [online], [site visited Mar. 16, 2018]. Available from Internet, <URL: <https://shop.gopro.com/mounts-accessories/>> (13 Pgs).

GoPro The Frame for HERO5 Black. [online] Published date unknown. Retrieved on Oct. 26, 2016 from <URL: <https://www.bhphotovideo.com/c/product/1274422-REG/gopro.sub.-aafrm.sub.-001.sub.-frame.sub.-for.sub.-hero5.html>>. 3 pages.

GoPro, “Karma Stabilizer,” Date Unknown, two pages. [Online] [Retrieved Nov. 2, 2016] Retrieved from the internet <<http://shop.gopro.com/accessories-2/karma-stabilizer/AGMBL-001.html>>. (2 pages).

Linxv i Action Camera Accessories i Action Camera Strap, posted on Jun. 4, 2016, © 2012 Avada [online], [site visited Mar. 16, 2018]. Available from Internet, <URL: <http://www.linxv.com/action-camera-accessories/action-camera-strap/>> (4 Pgs).

Silicon Sleeve Cases for the Frame of Your Gopro Hero 5 , retrieved from URL: <https://www.amazon.com/Silicone-Sleeve-Cases-Frame-Gopro/dp/B01NCQ3GOY>, retrieved Mar. 30, 2018 (6 pages).

Silicon Sleeve for GoPro Her04 Housing—GOCASE, retrieved from URL: <https://www.gocase.com/products/silicon-sleeve-for-gopro-hero4-housing>, retrieved Mar. 30, 2018 (2 pages).

Silicone Sleeve Cases for The Frame of your Gopro Hero 5 (1x Frame / 1x Camera Case, Blue +Black), URL: [https://www.amazon.com/dp/B01MR00OPJ/ref=asc\\_df\\_B01MR00OPJ5357481/?tag=hyprod-20&creative=395033&creativeASIN=B01MR00OPJ&linkCode=df0&hvadid=167139098072&hvpos=1o1&hvnetw=g&hvrnd=8248390090609077295&hvpone=&hvptwo=&hvqmt=&hvdev=c&hvdvcmd=&hvlocint=&hvlocphy=1014237&hvtargid=pla-332273337114](https://www.amazon.com/dp/B01MR00OPJ/ref=asc_df_B01MR00OPJ5357481/?tag=hyprod-20&creative=395033&creativeASIN=B01MR00OPJ&linkCode=df0&hvadid=167139098072&hvpos=1o1&hvnetw=g&hvrnd=8248390090609077295&hvpone=&hvptwo=&hvqmt=&hvdev=c&hvdvcmd=&hvlocint=&hvlocphy=1014237&hvtargid=pla-332273337114), retrieved Mar. 30, 2018 (6 pages).

Suction Cup & Locking Arm. Online, published date unknown. Retrieved on Jan. 11, 2018 from URL: <https://joby.com/suction-cup-with-locking-arm> (1 page).

The Frame. [online] Published date unknown. Retrieved on Oct. 24, 2016 from <URL: <http://shop.gopro.com/accessories-2/the-frame/ANDFR-302.html>>. 3 pages.

United States Office Action, U.S. Appl. No. 29/548,666, dated Nov. 17, 2016, 8 pages.

\* cited by examiner

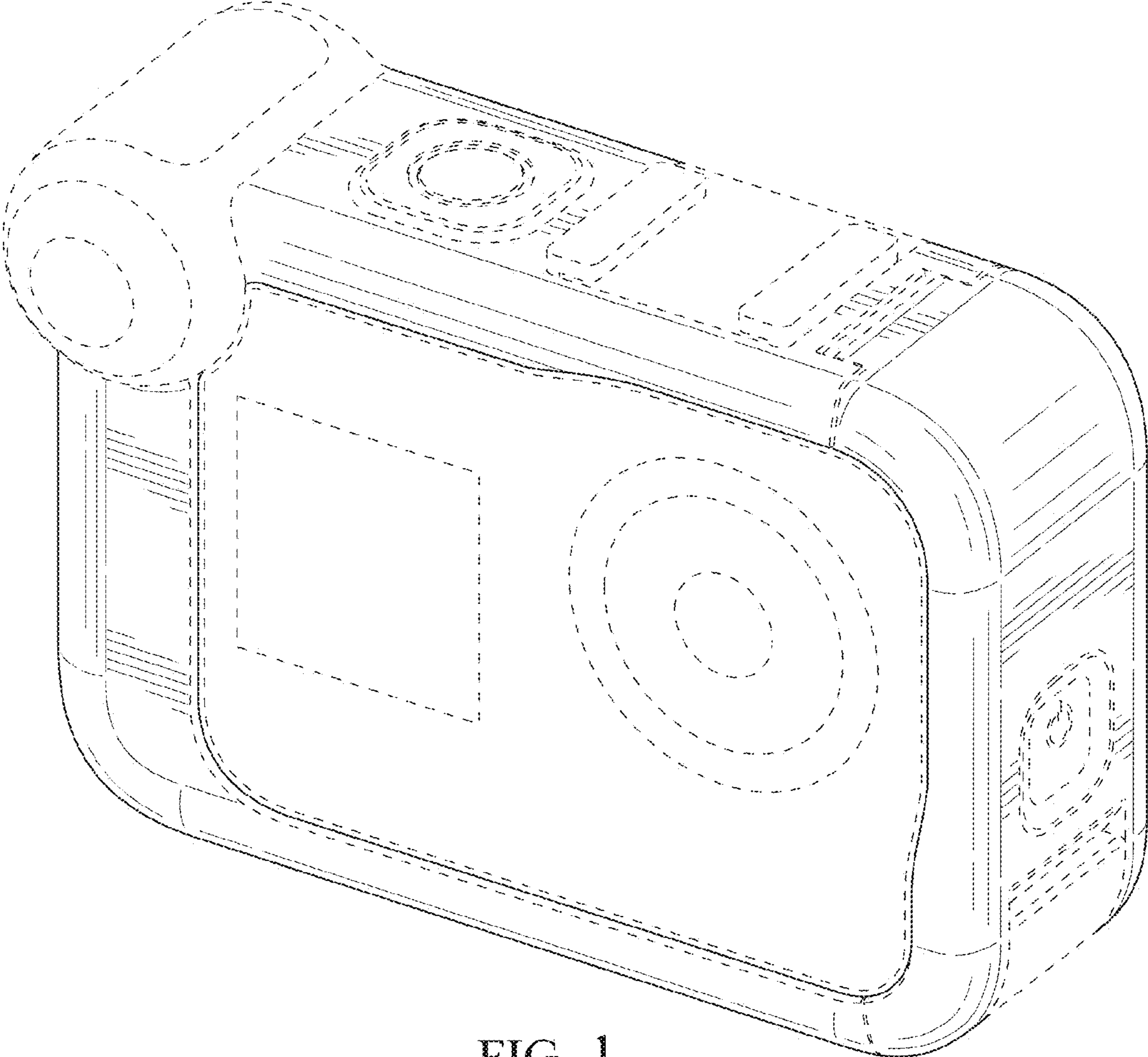


FIG. 1

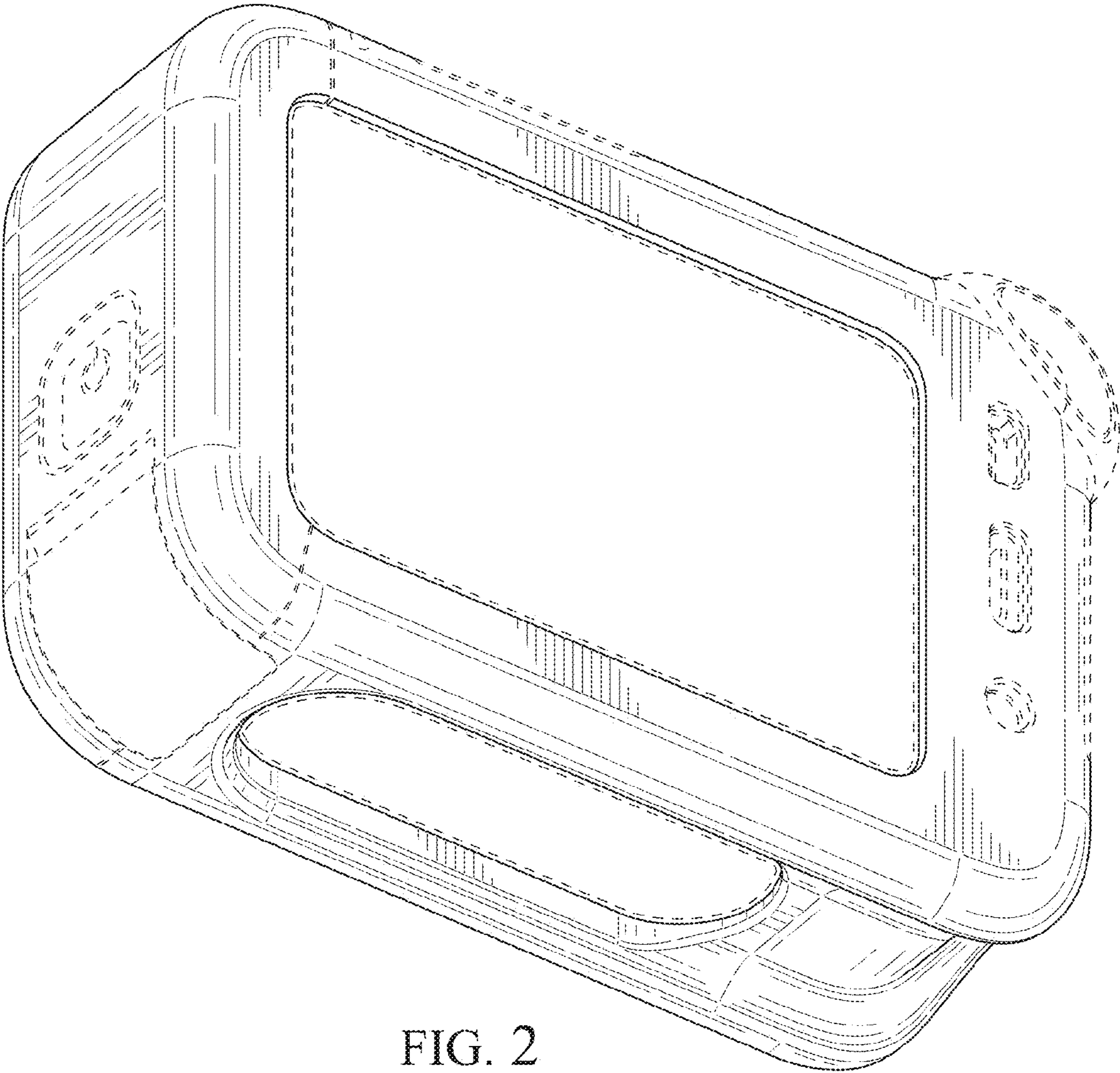


FIG. 2

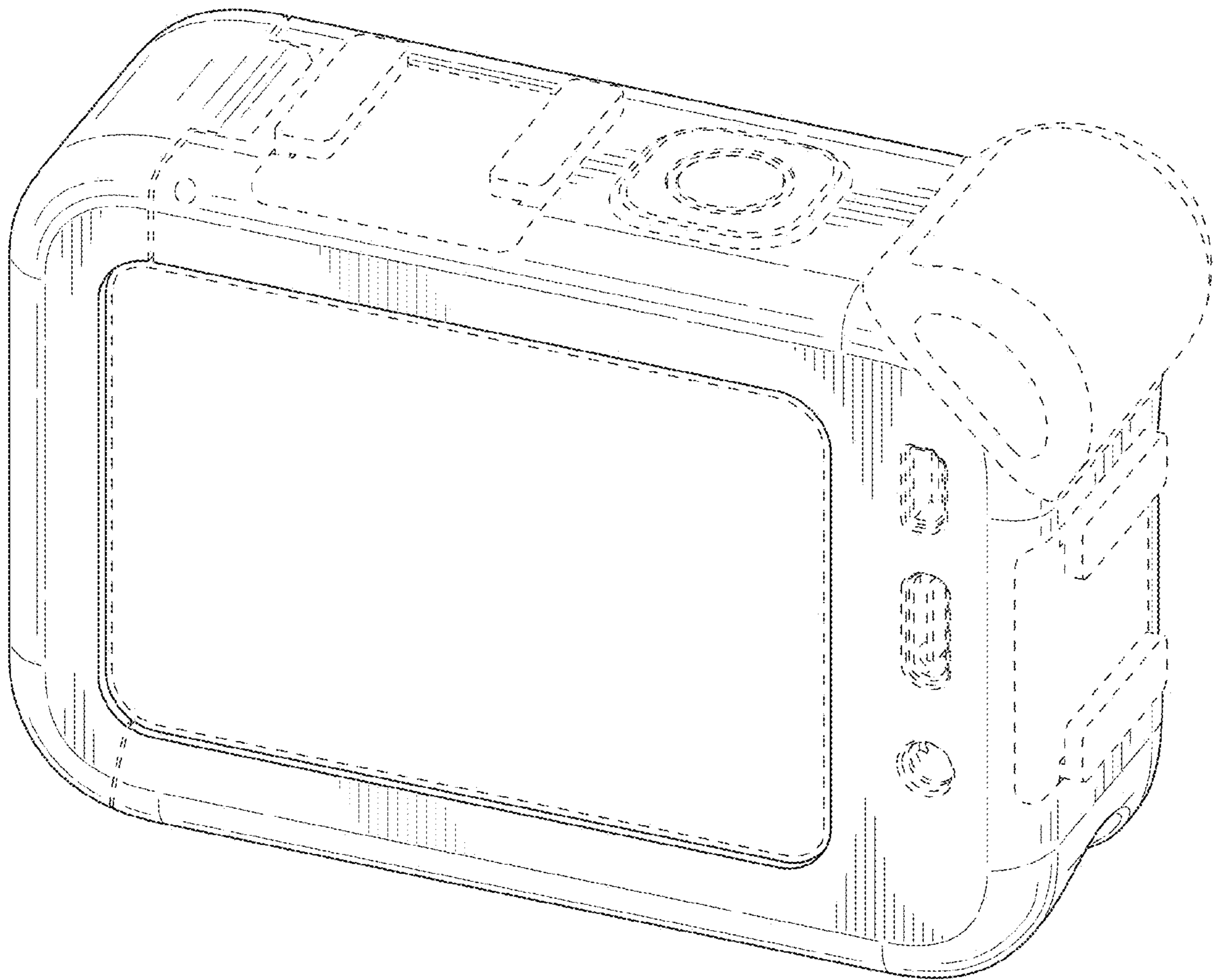


FIG. 3

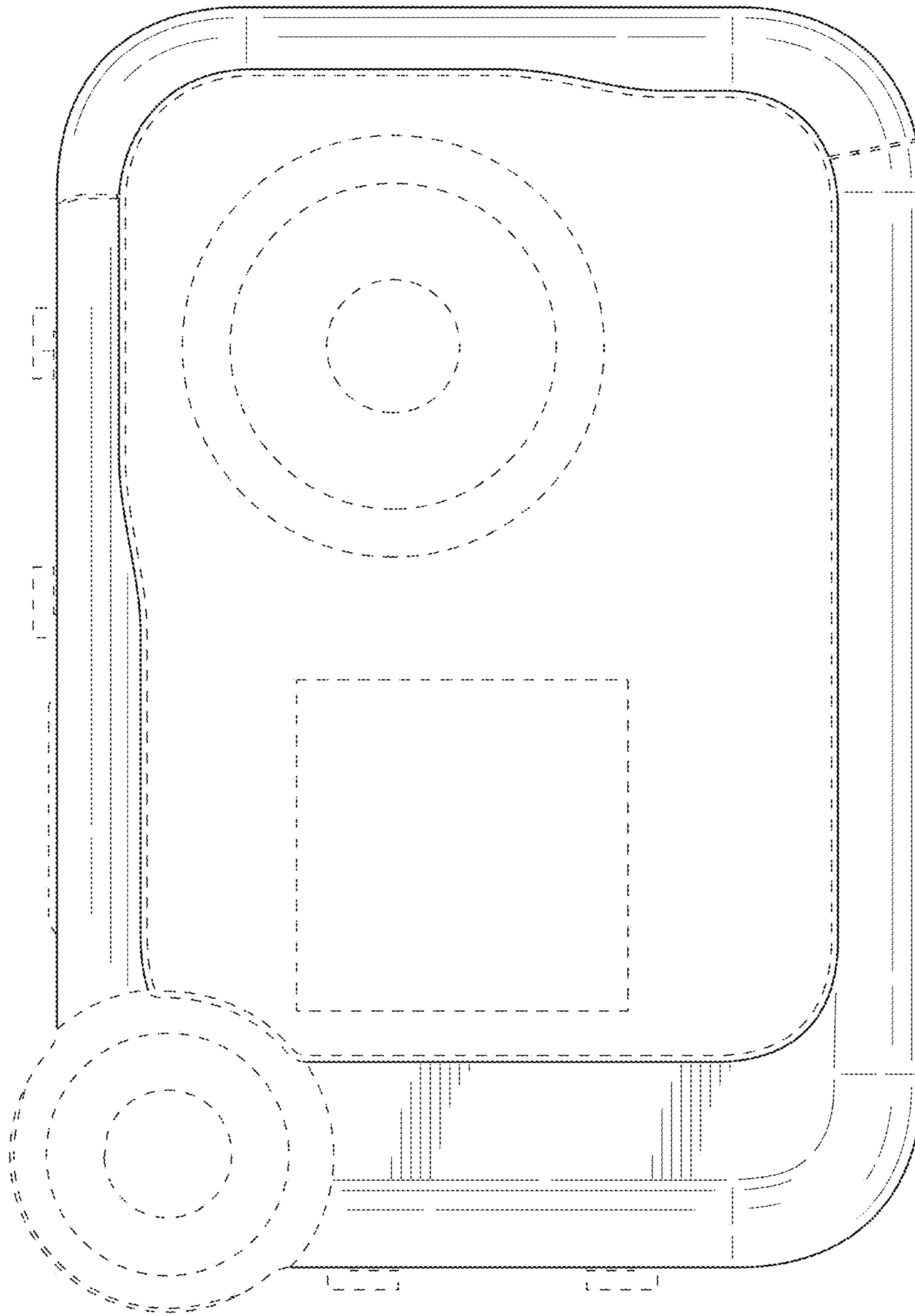


FIG. 4

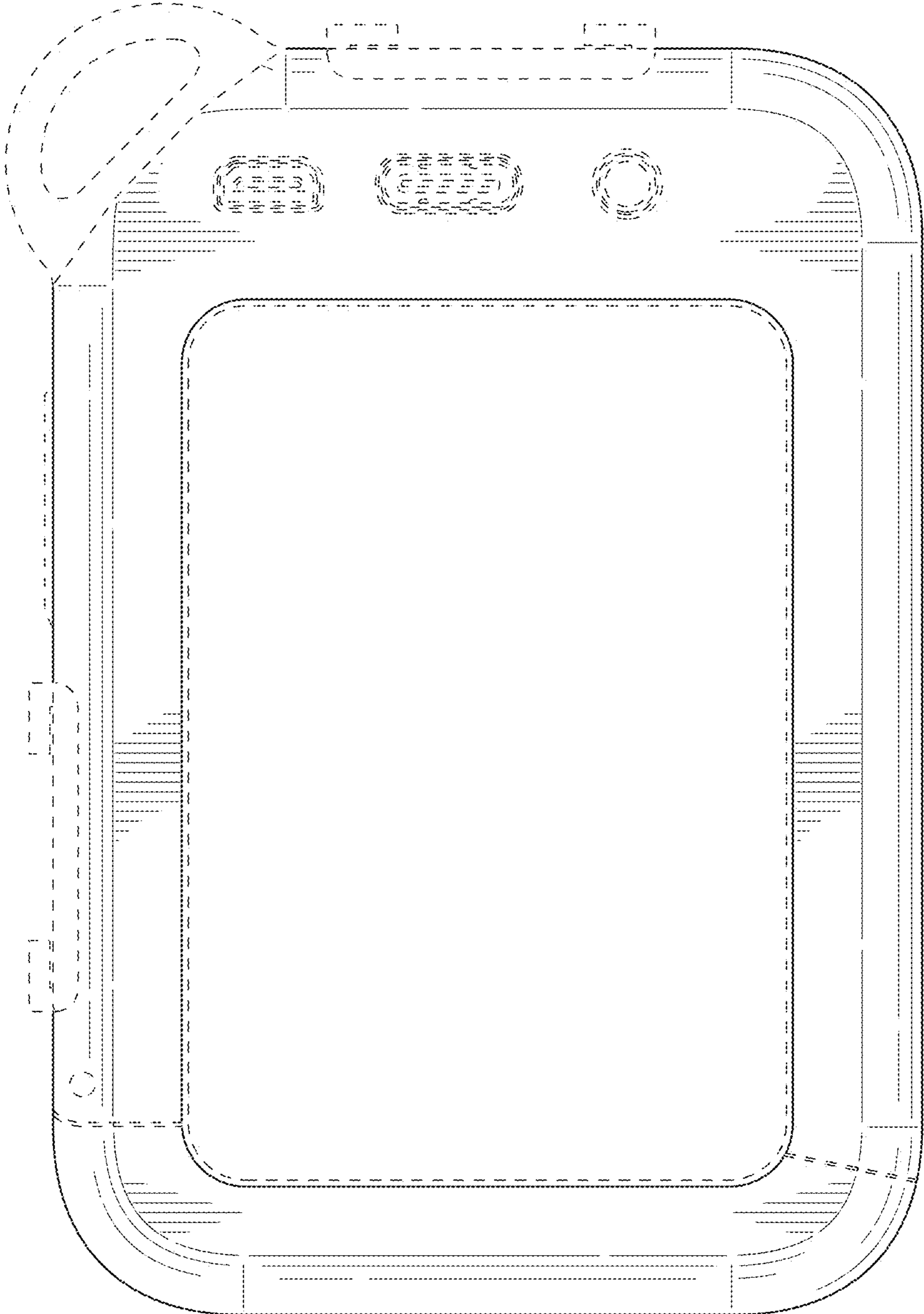


FIG. 5



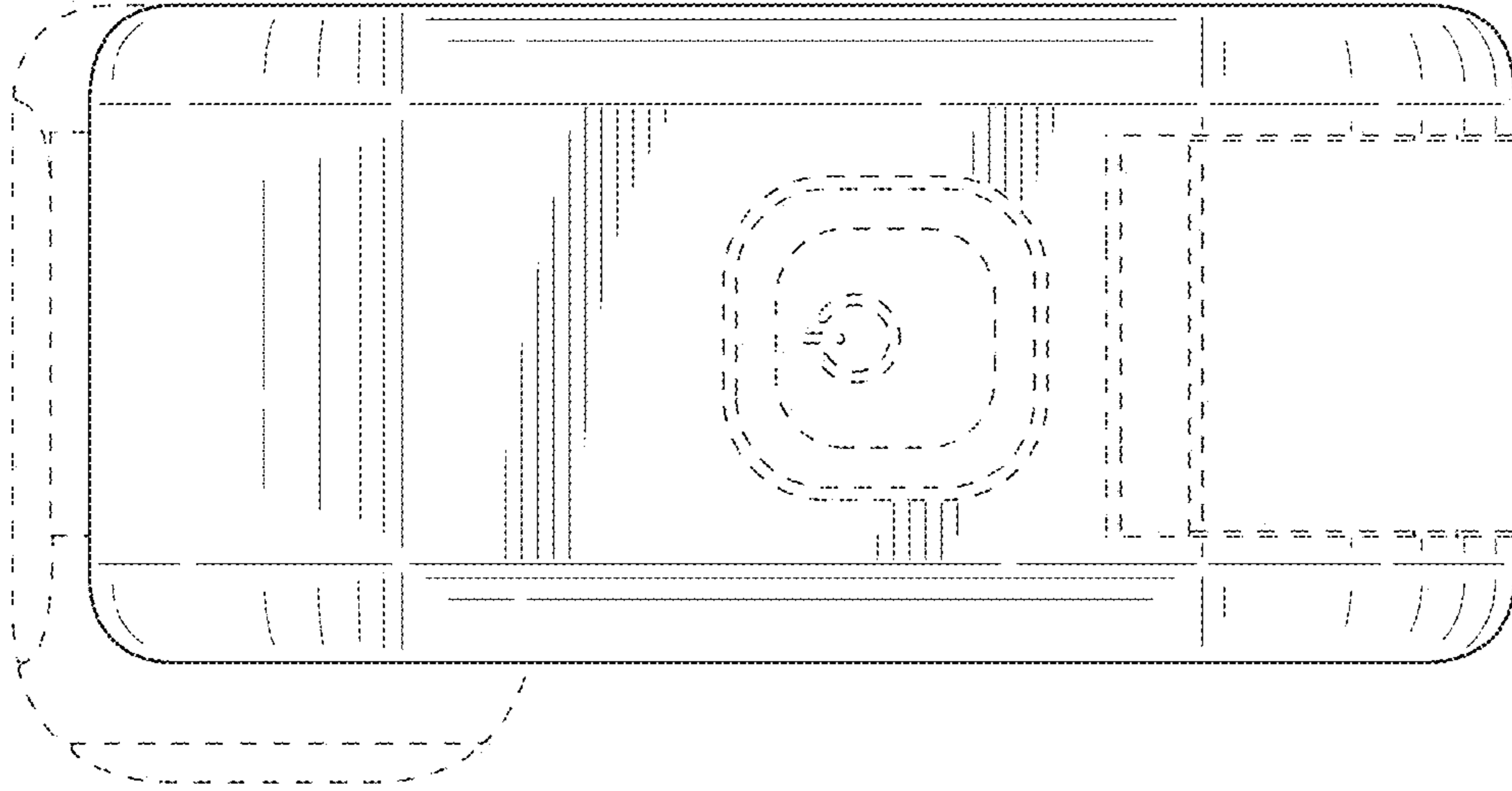


FIG. 6

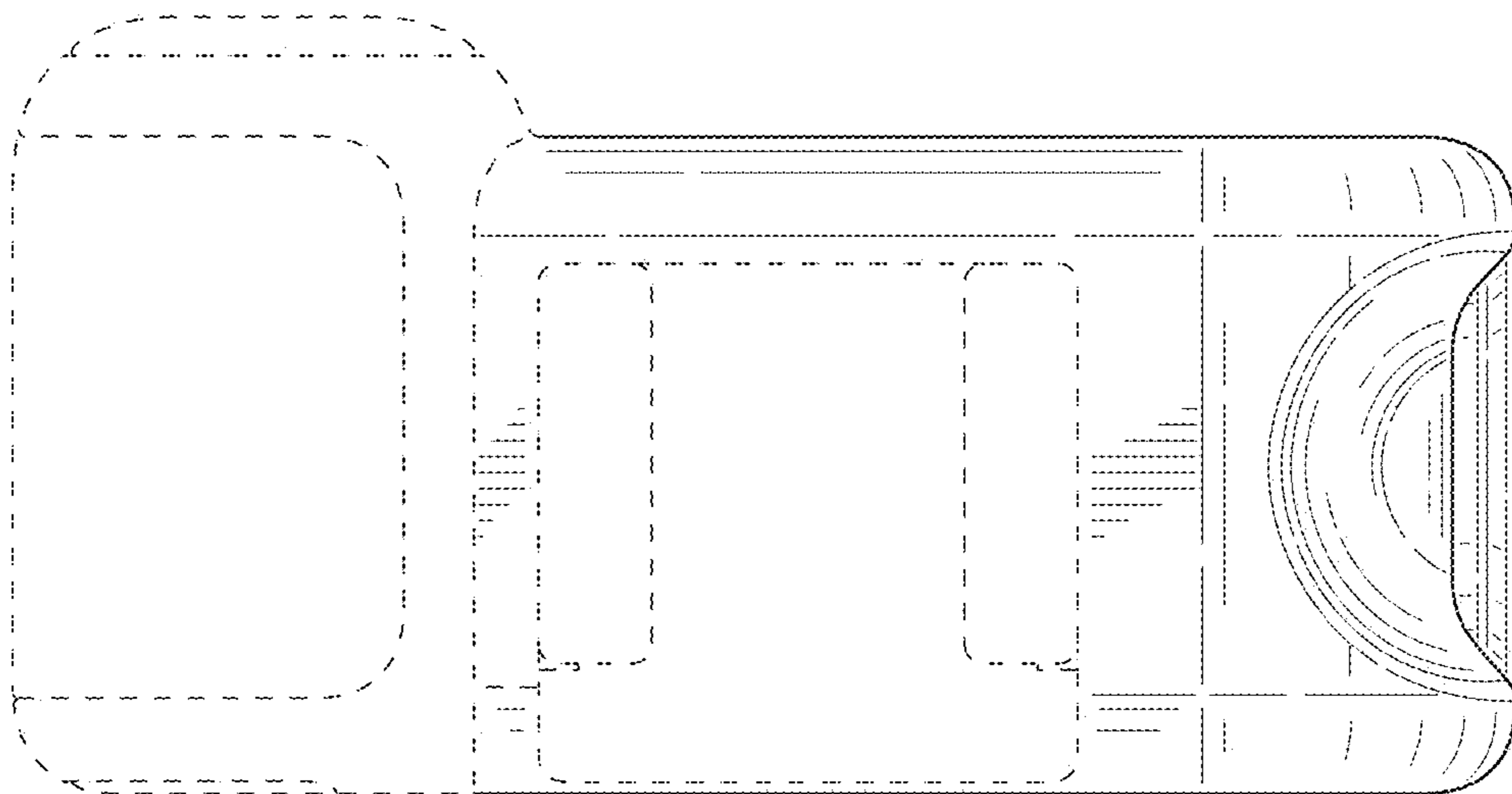


FIG. 7

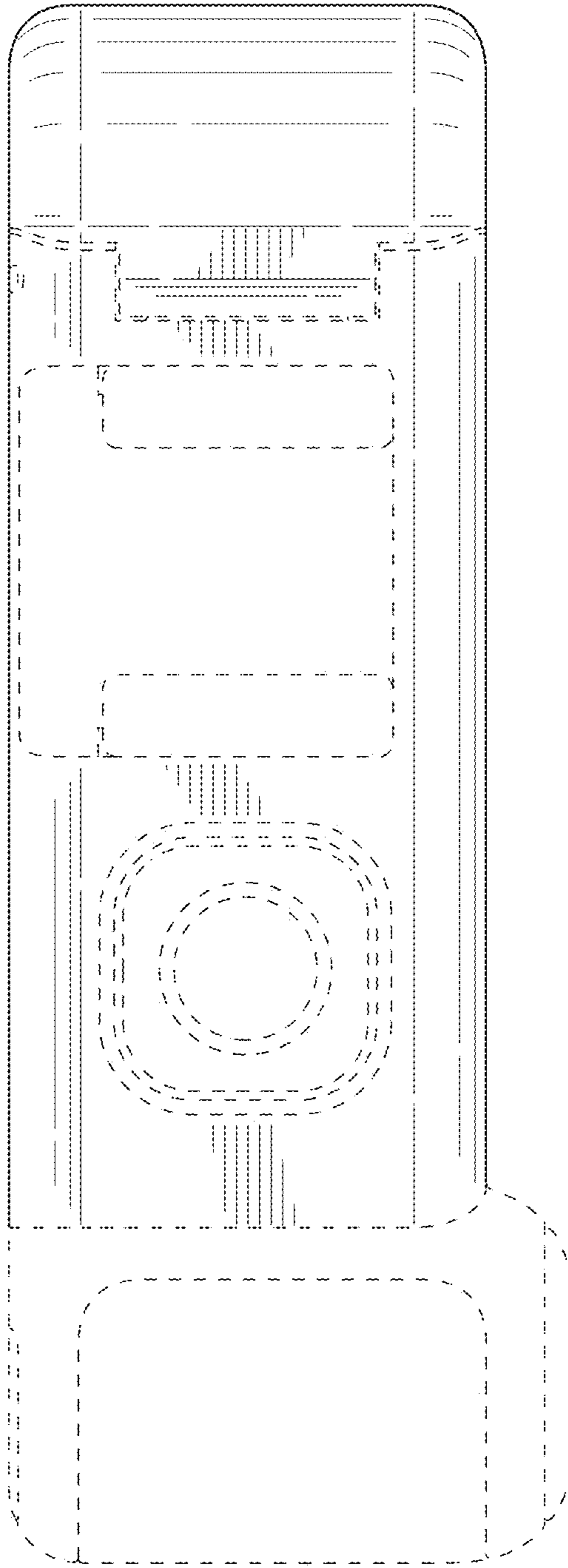


FIG. 8

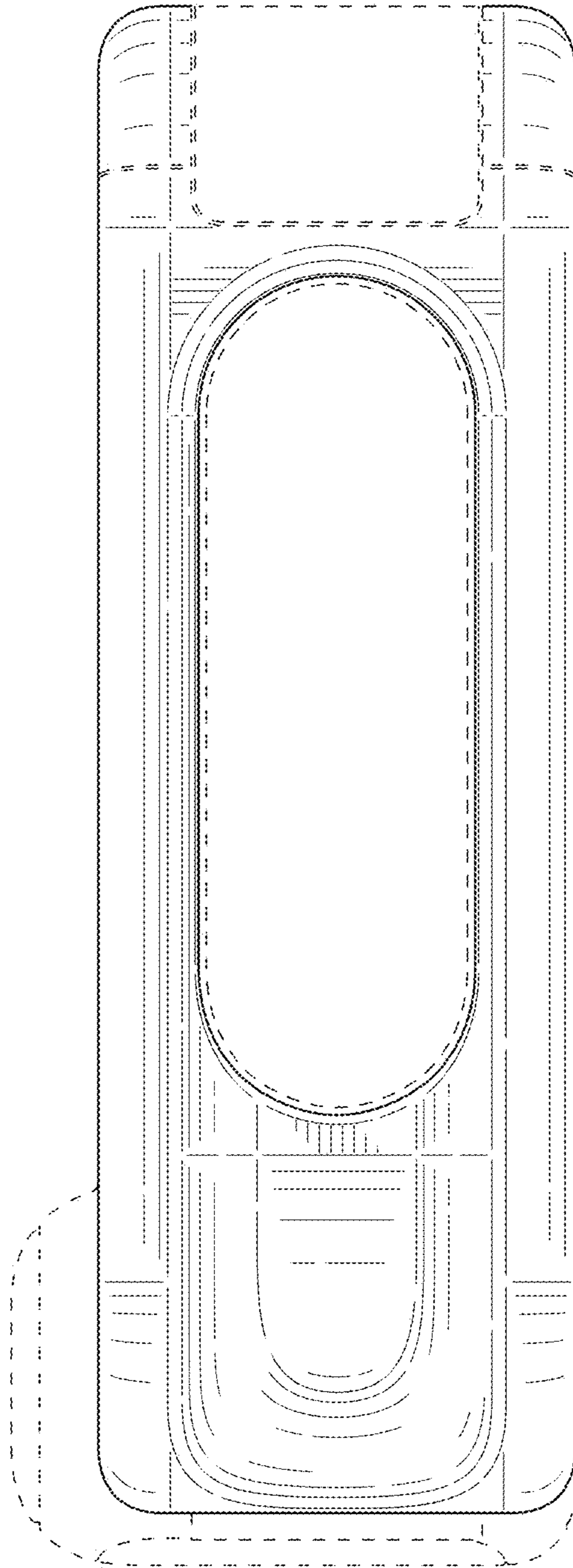


FIG. 9