



US00D978952S

(12) **United States Design Patent** (10) **Patent No.:** **US D978,952 S**  
**Cheng et al.** (45) **Date of Patent:** **\*\* Feb. 21, 2023**

(54) **CAMERA**

FOREIGN PATENT DOCUMENTS

(71) Applicants: **Chen-Hsien Cheng**, Taipei (TW);  
**Li-Fang Chen**, Taipei (TW);  
**Ruei-Hong Hong**, Taipei (TW)

CN 304123178 \* 5/2017  
CN 304394320 \* 7/2017

(Continued)

(72) Inventors: **Chen-Hsien Cheng**, Taipei (TW);  
**Li-Fang Chen**, Taipei (TW);  
**Ruei-Hong Hong**, Taipei (TW)

OTHER PUBLICATIONS

(73) Assignee: **COMPAL ELECTRONICS, INC.**,  
Taipei (TW)

Amazon, Crisis HD Webcam, earliest date available unknown,  
[online].[site visited Jun. 21, 2021]. Available from Internet,  
<URL:https://www.amazon.com/dp/B08L3VZ14T/ref=cm\_sw\_em\_  
r\_mt\_dp\_DVW6SH73XJ504E644S52> (Year: 2022).\*

(Continued)

(\*\*) Term: **15 Years**

*Primary Examiner* — Michelle E. Wilson

(21) Appl. No.: **29/733,986**

*Assistant Examiner* — Breana Copeland

(22) Filed: **May 8, 2020**

(74) *Attorney, Agent, or Firm* — JCIPRNET

(30) **Foreign Application Priority Data**

(57) **CLAIM**

Apr. 9, 2020 (TW) ..... 109301886

(51) **LOC (14) Cl.** ..... **16-01**

(52) **U.S. Cl.**  
USPC ..... **D16/219**

(58) **Field of Classification Search**  
USPC .... D10/41, 54, 106.4, 106.6; D16/200, 201,  
D16/202, 214, 215, 219; D21/325, 329,  
D21/333, 448, 514, 578, 725  
CPC ..... G03B 15/03; G03B 15/06; G03B 17/56;  
G02B 7/02; G02B 7/021  
See application file for complete search history.

The ornamental design for a camera, as shown and described.

**DESCRIPTION**

(56) **References Cited**

U.S. PATENT DOCUMENTS

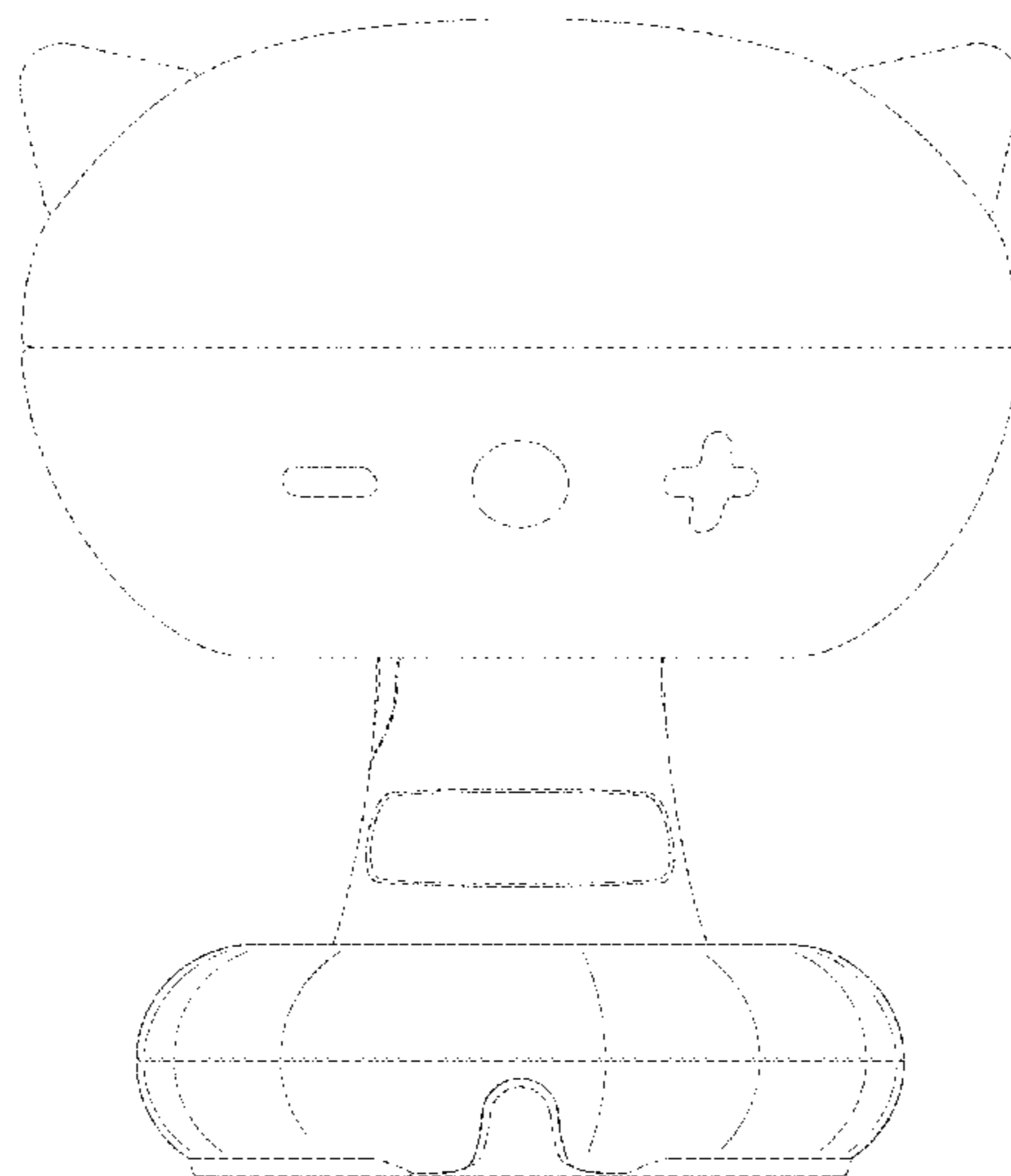
D513,028 S \* 12/2005 Maruyama ..... D16/203  
D545,858 S \* 7/2007 Li ..... D16/202  
D557,320 S \* 12/2007 Fisher ..... D16/242  
D664,460 S \* 7/2012 Aurongzeb ..... D10/106.6  
D861,058 S \* 9/2019 Christensson ..... D16/203  
D866,635 S \* 11/2019 Zhong ..... D16/203  
D880,554 S \* 4/2020 Yu ..... D16/203

FIG. 1 is a perspective view of a camera showing our new design;  
FIG. 2 is another perspective view thereof;  
FIG. 3 is another perspective view thereof;  
FIG. 4 is another perspective view thereof;  
FIG. 5 is a front view thereof;  
FIG. 6 is a rear view thereof;  
FIG. 7 is a left side view thereof;  
FIG. 8 is a right side view thereof;  
FIG. 9 is a top view thereof; and,  
FIG. 10 is a bottom view thereof.

The dashed broken lines illustrate portions of the article that form no part of the claimed design. The dot-dash broken lines represent the boundaries of the claimed design, and form no part thereof.

(Continued)

**1 Claim, 10 Drawing Sheets**



(56)

**References Cited**

U.S. PATENT DOCUMENTS

D881,968 S \* 4/2020 Persson ..... D16/203  
 D937,924 S \* 12/2021 Dong ..... D16/203  
 D940,223 S \* 1/2022 Uehara ..... D16/203

FOREIGN PATENT DOCUMENTS

CN 305004084 \* 1/2019  
 CN 305010625 \* 1/2019  
 CN 305207358 \* 6/2019  
 TW 109301887 \* 8/2021

OTHER PUBLICATIONS

Paw Roll, Cute Cat Security Pet Camera, earliest date available Jan. 17, 2021, [online].[site visited Jun. 21, 2021]. Available from Internet, <URL:https://web.archive.org/web/20210117001239/https://

pawroll.com/products/1080p-kitty-style-wireless-camera-for-pets> (Year: 2021).\*

Walmart, Wireless WiFi Video Baby Monitor, earliest date available Jan. 14, 2019, [online].[site visited Jun. 21, 2021]. Available from Internet, <URL:https://www.walmart.com/ip/Wireless-WiFi-Video-Baby-Monitor-Two-Way-Audio-Home-Security-Camera-HD-720P-Night-Vision-Cam/585419517> (Year: 2019).\*

Google Image Search, [online].[site visited Jun. 21, 2022]: https://www.google.com/search?q=web+camera+for+kids&tbm=isch&ved=2ahUKEwjkspjyMT4AhVpM1kFHbJKAKUQ2-cCegQIABAA&oq=web+ca%E2%80%A6 (Year: 2022).\*

Amazon Pixsee Smart Video Baby Monitor, earliest pictured review Oct. 7, 2021, [online], [site visited Sep. 23, 2022]. Available via Internet <URL:https://www.amazon.com/dp/B092D92CF4?\_encoding=UTF8&pvc=1&ref\_=cm\_sw\_r\_cp\_ud\_dp\_Q6MJPX3VK9ZD48J1P5MA> (Year: 2021).\*

IF Pixsee, earliest pictured review 2021, [online], [site visited Sep. 23, 2022]. Available via Internet <URL: https://ifdesign.com/en/winner-ranking/project/pixsee-app/297736> (Year: 2021).\*

“Office Action of Taiwan Counterpart Application”, dated Nov. 30, 2020, p. 1-p. 3.

\* cited by examiner

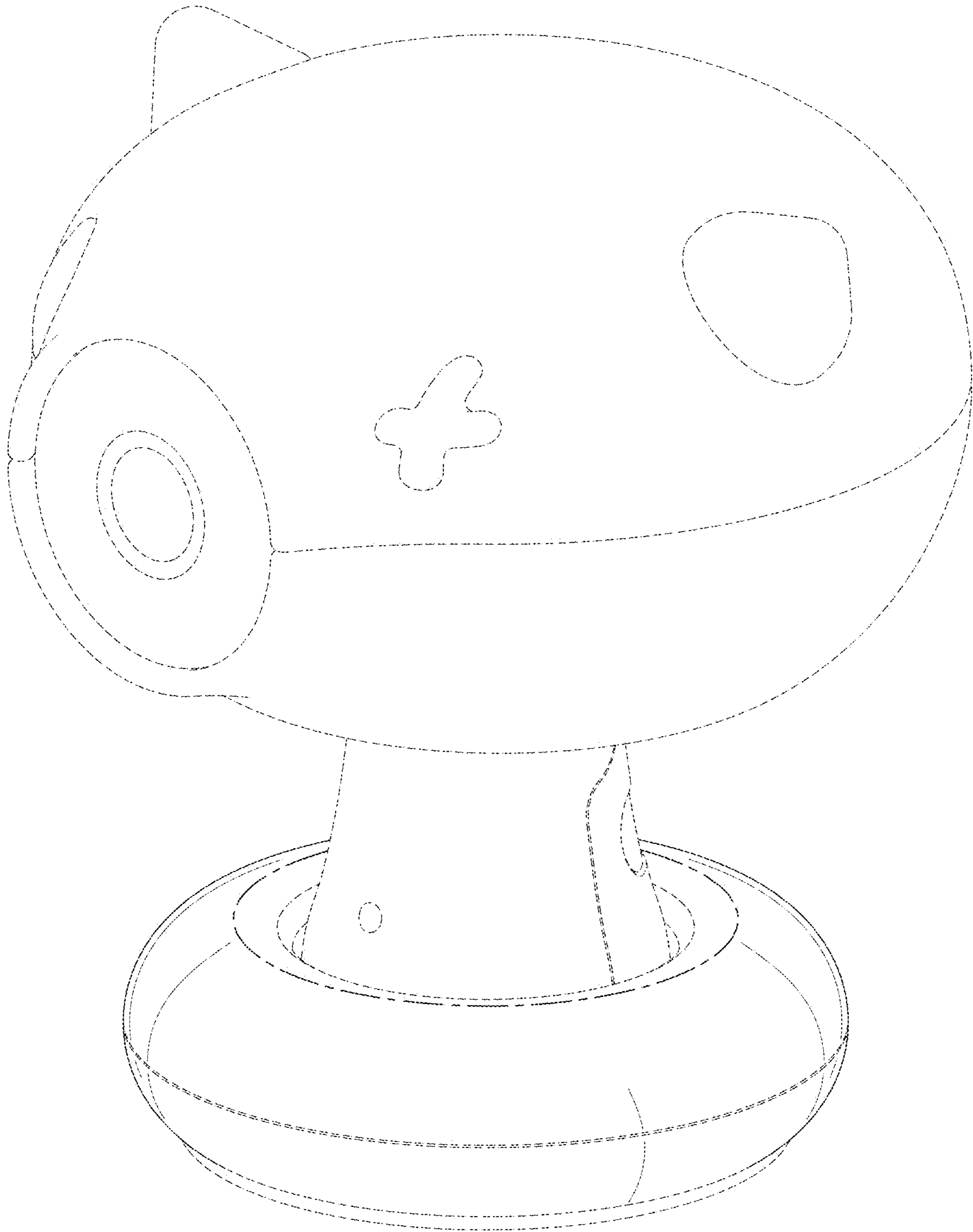


FIG. 1

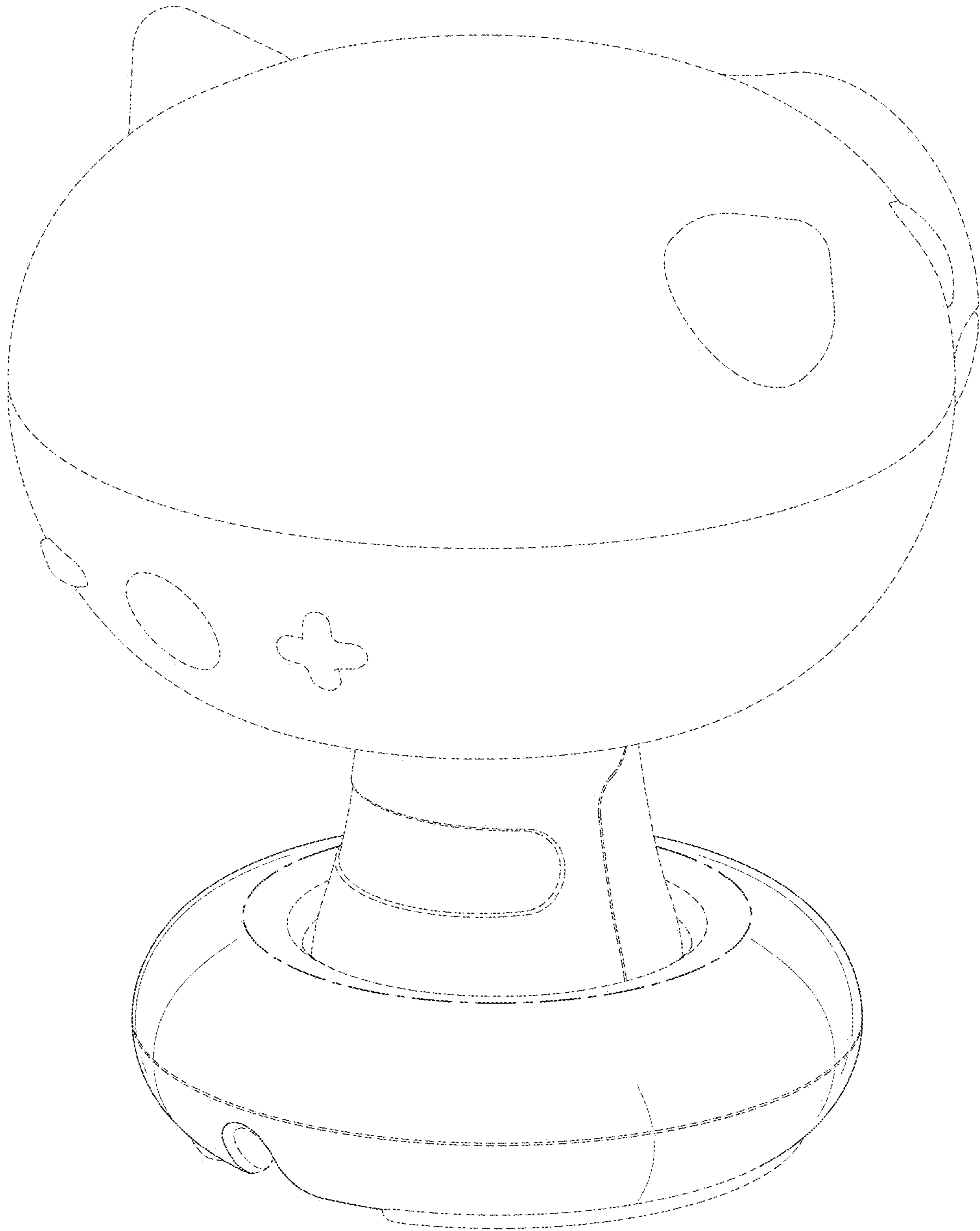


FIG. 2

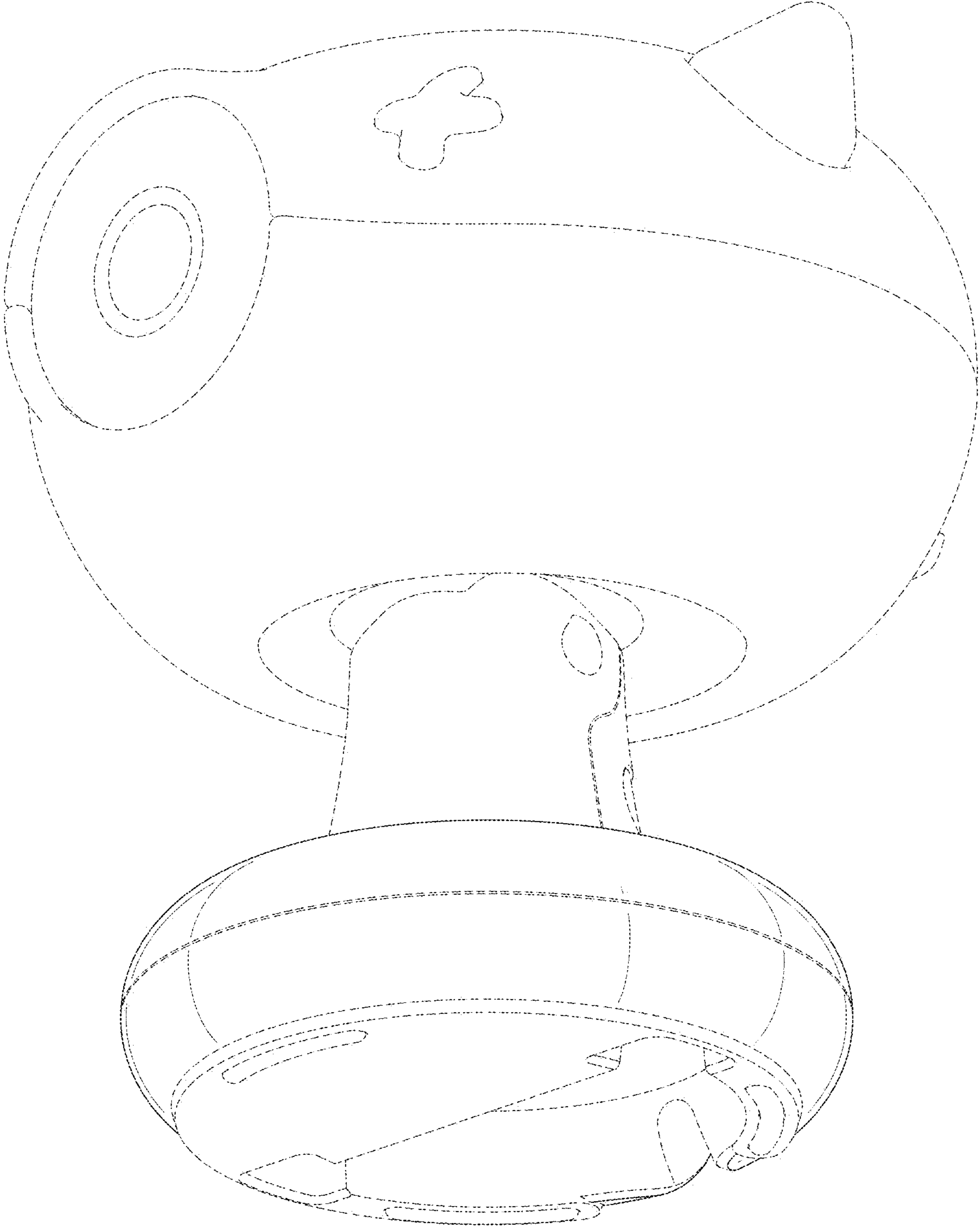


FIG. 3

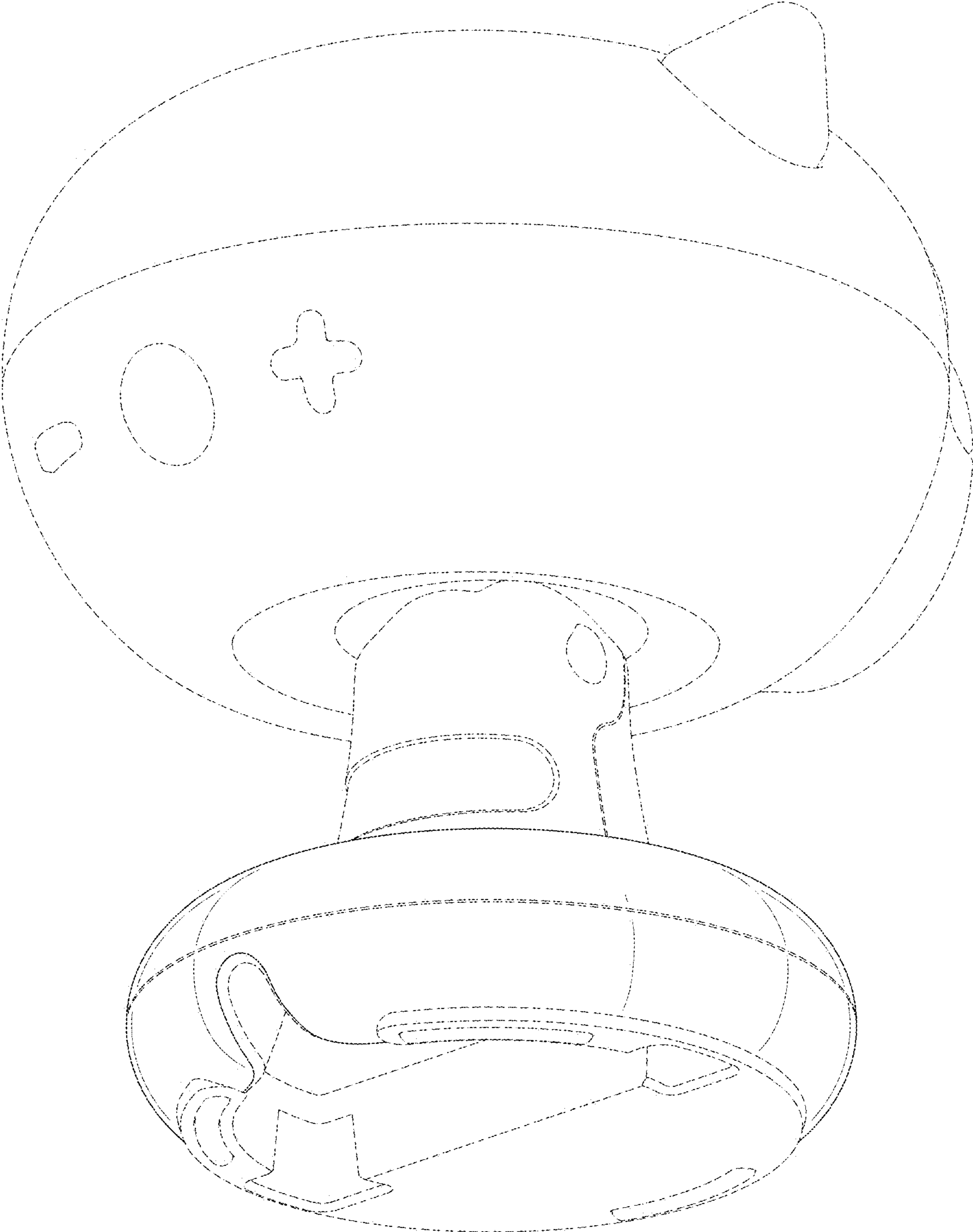


FIG. 4

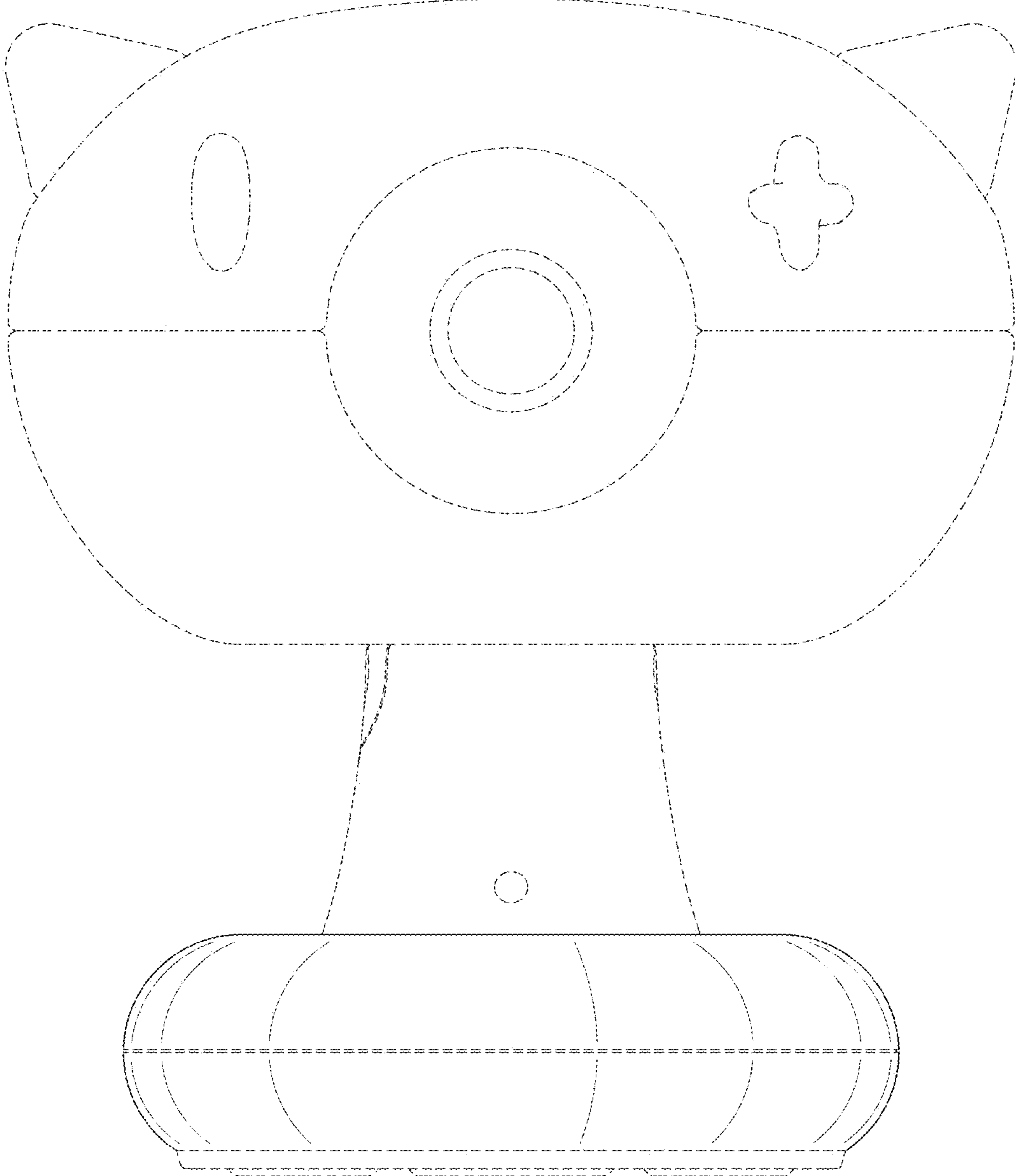


FIG. 5

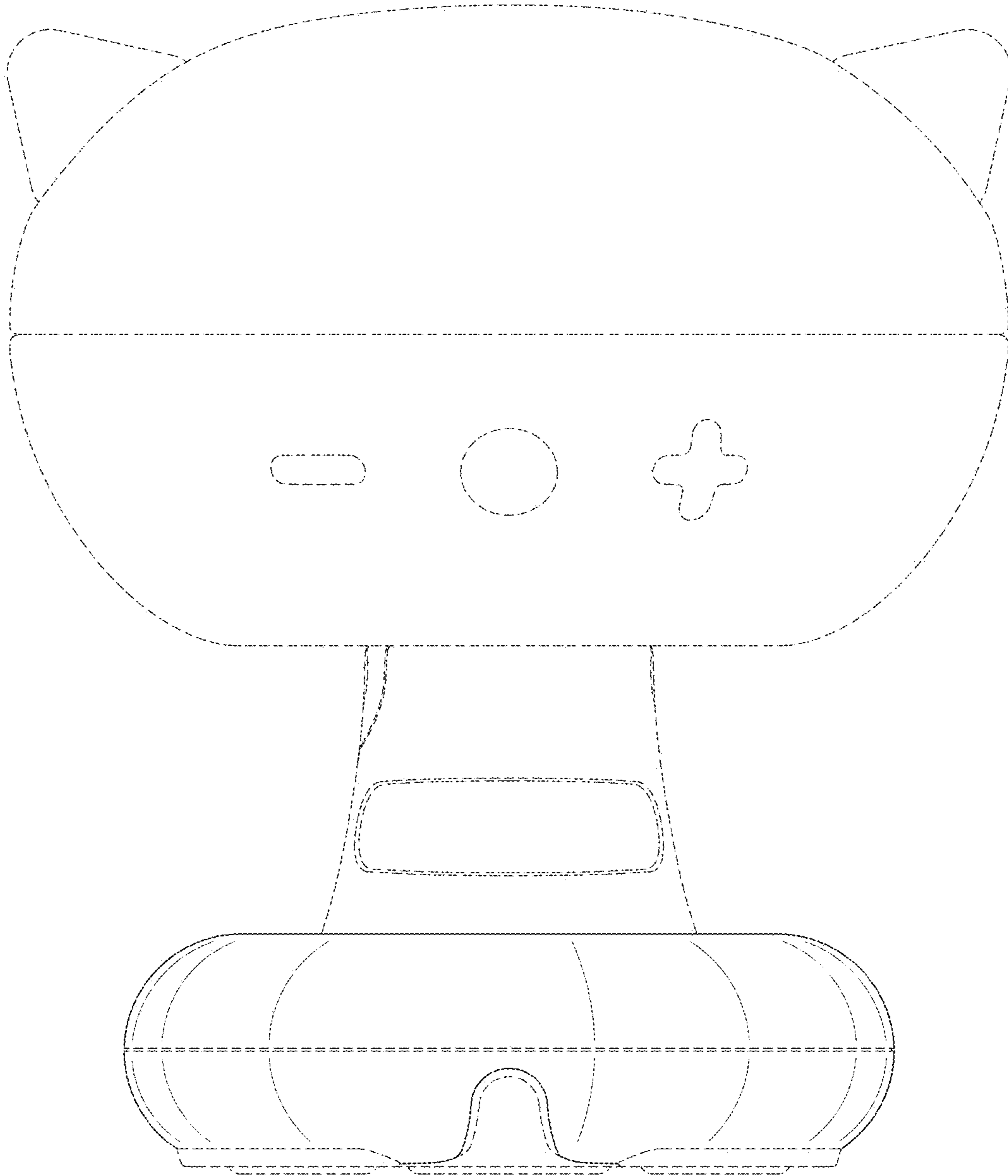


FIG. 6



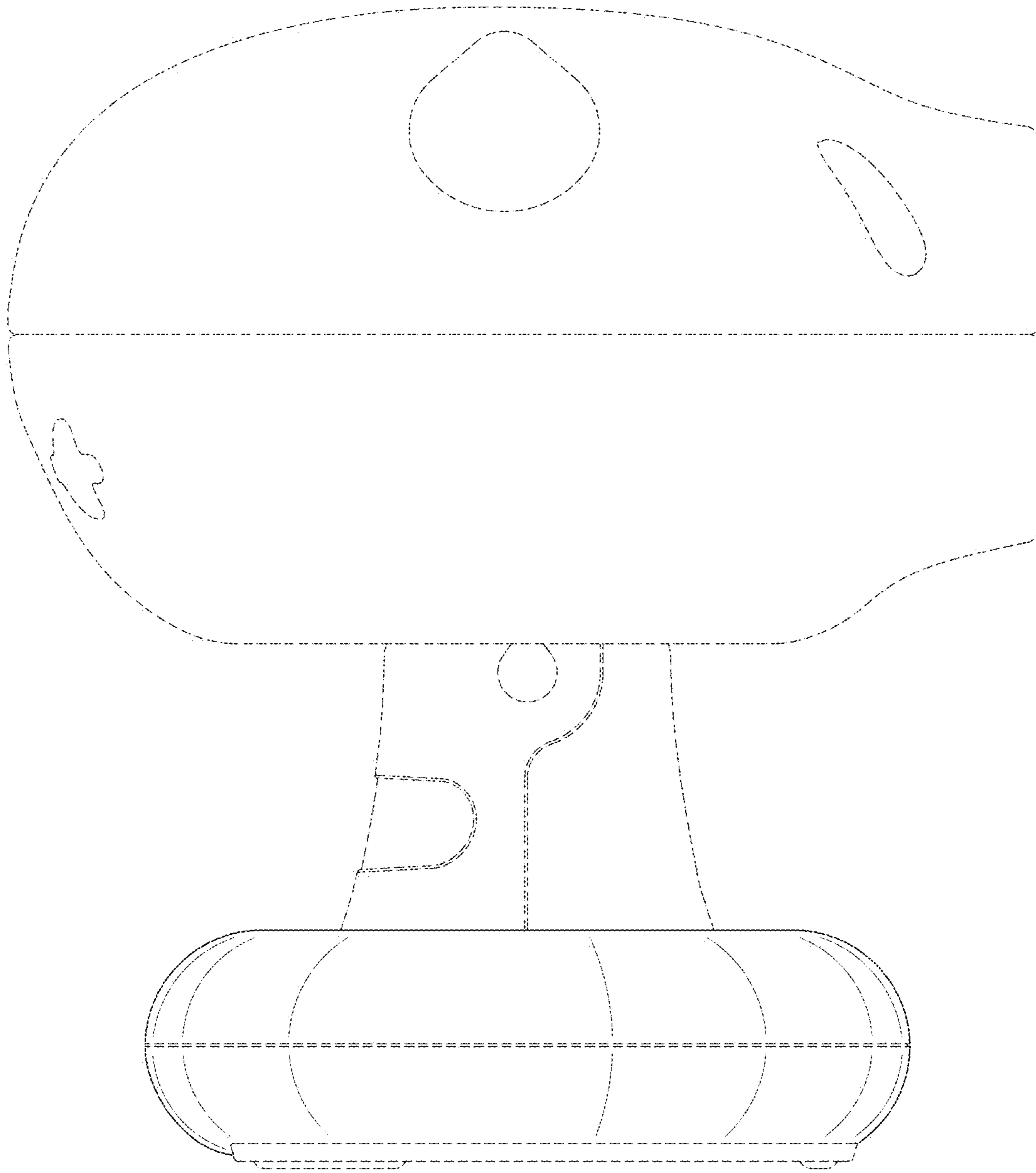


FIG. 7

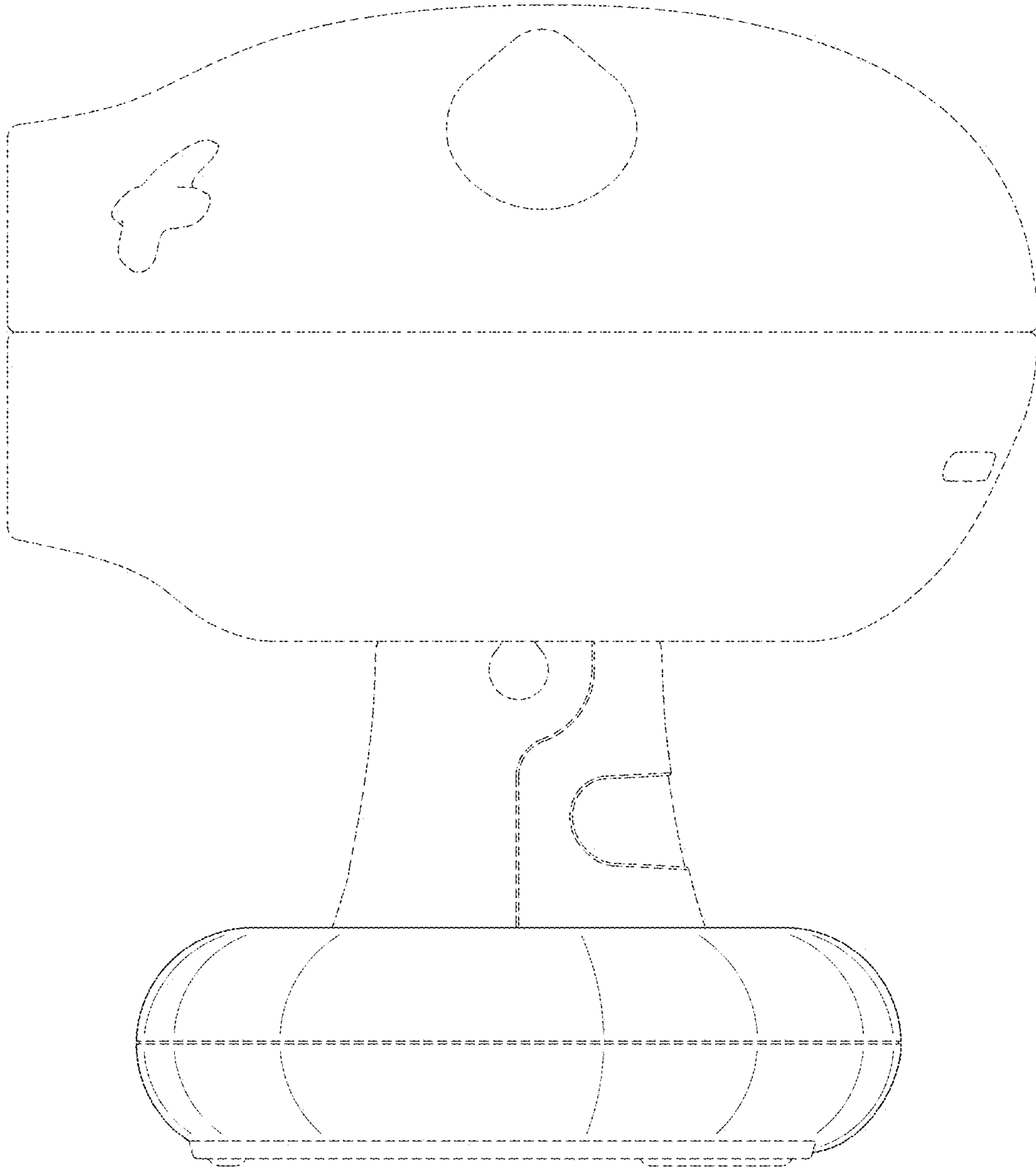


FIG. 8

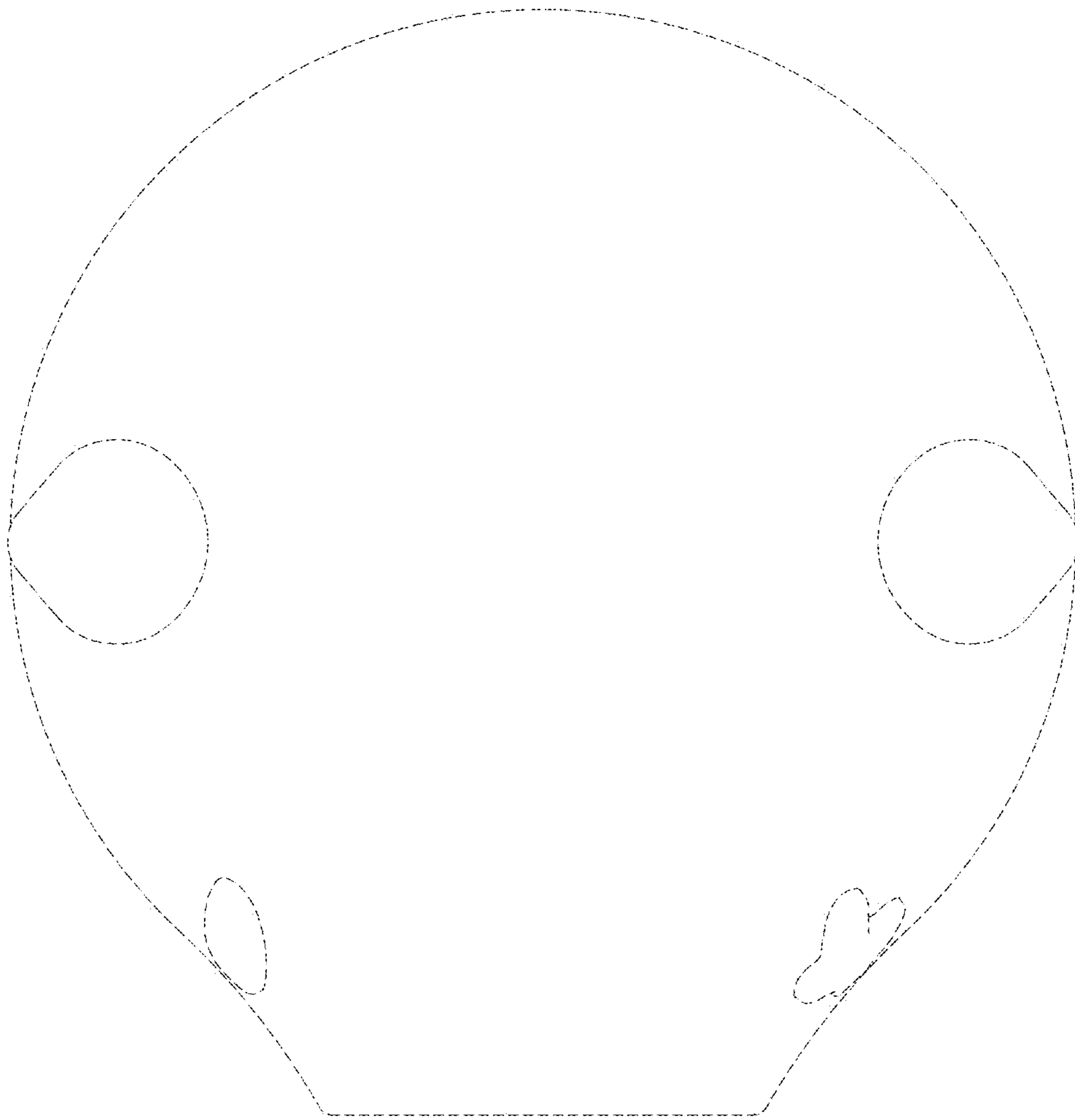


FIG. 9

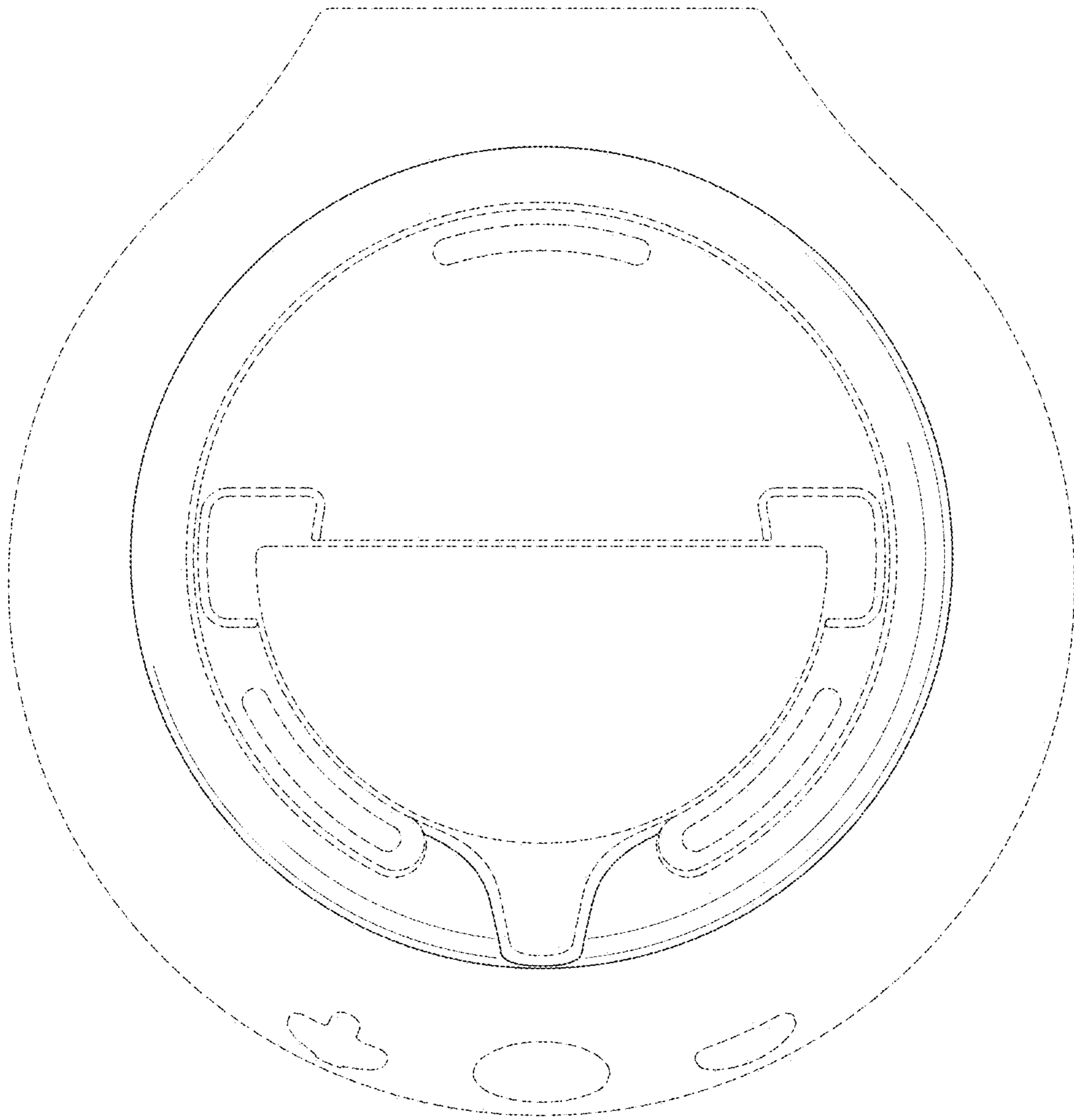


FIG. 10