



US00D978951S

(12) **United States Design Patent**
Shi

(10) **Patent No.:** **US D978,951 S**

(45) **Date of Patent:** **** Feb. 21, 2023**

(54) **PHOTO BOOTH**

(71) Applicant: **SHENZHEN COMETO TECHNOLOGY CO., LTD.**, Shenzhen (CN)

(72) Inventor: **Honghan Shi**, Shenzhen (CN)

(73) Assignee: **SHENZHEN COMETO TECHNOLOGY CO., LTD.**, Shenzhen (CN)

(**) Term: **15 Years**

(21) Appl. No.: **29/845,248**

(22) Filed: **Jul. 6, 2022**

(51) **LOC (14) Cl.** **16-01**

(52) **U.S. Cl.**
USPC **D16/215**

(58) **Field of Classification Search**
USPC D16/200, 202–204, 208, 211, 214, 215, D16/218, 219, 221, 225, 229, 232, 242
CPC G03B 17/02; G03B 19/04; G03B 17/56; G03B 17/04; G03B 15/03; G03B 17/48; G03B 17/06; H04N 5/2251; H04N 5/2252; H04N 5/2253; H04N 5/2254; F16M 13/00

See application file for complete search history.

(56) **References Cited**

U.S. PATENT DOCUMENTS

D618,269 S * 6/2010 Williams D16/242
D729,296 S 5/2015 Shelton
D755,876 S * 5/2016 Moss D16/214
D785,694 S * 5/2017 Fujii D16/214
D824,986 S * 8/2018 Bartram D16/202

D854,599 S * 7/2019 Hong D16/232
D865,837 S * 11/2019 Hasegawa D16/202
D898,805 S 10/2020 Lynch et al.
D921,088 S * 6/2021 Andres D16/214
D926,861 S * 8/2021 Cheung D16/242
D958,222 S * 7/2022 Fan D16/215
D971,989 S * 12/2022 Lv D16/215
2014/0270747 A1* 9/2014 Maltese F16M 13/00 396/428
2016/0219192 A1* 7/2016 Rosenberry F16M 13/00

* cited by examiner

Primary Examiner — Ramzi Almatrahi

(74) *Attorney, Agent, or Firm* — Daniel M. Cohn; Howard M. Cohn

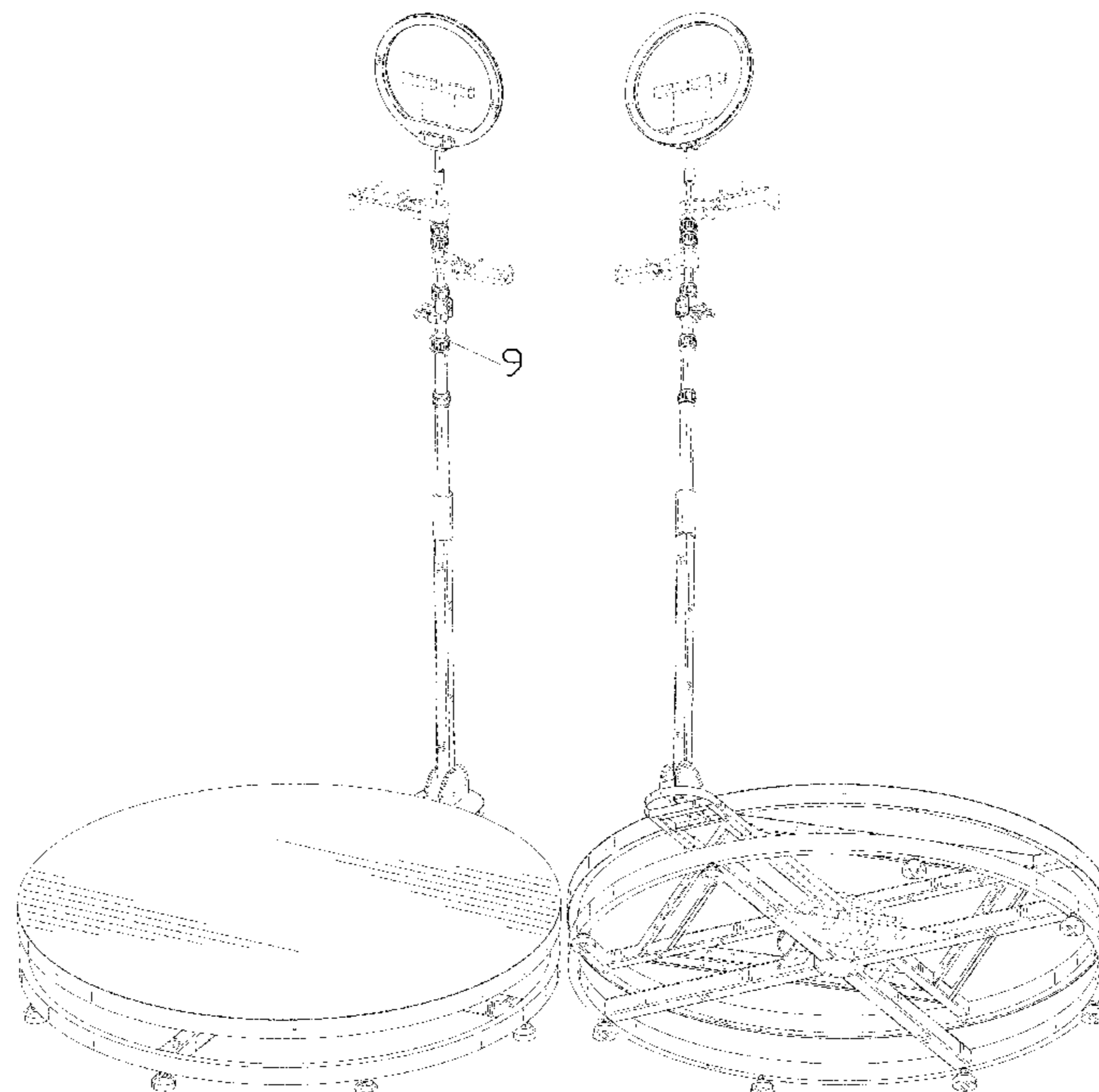
(57) **CLAIM**

The ornamental design for a photo booth, as shown and described.

DESCRIPTION

FIG. 1 is a top, front and right side perspective view of a photo booth showing my new design;
FIG. 2 is a bottom, rear and left side perspective view thereof;
FIG. 3 is a front elevational view thereof;
FIG. 4 is a rear elevational view thereof;
FIG. 5 is a left side elevational view thereof;
FIG. 6 is a right side elevational view thereof;
FIG. 7 is a top plan view thereof;
FIG. 8 is a bottom plan view thereof; and,
FIG. 9 is an enlarged view of portion 9 shown in FIG. 1. The dash-dash broken lines in the drawings depict portions of the photo booth that form no part of the claimed design. The dot-dash broken lines represent the boundary of the enlarged portion and form no part of the claimed design.

1 Claim, 9 Drawing Sheets



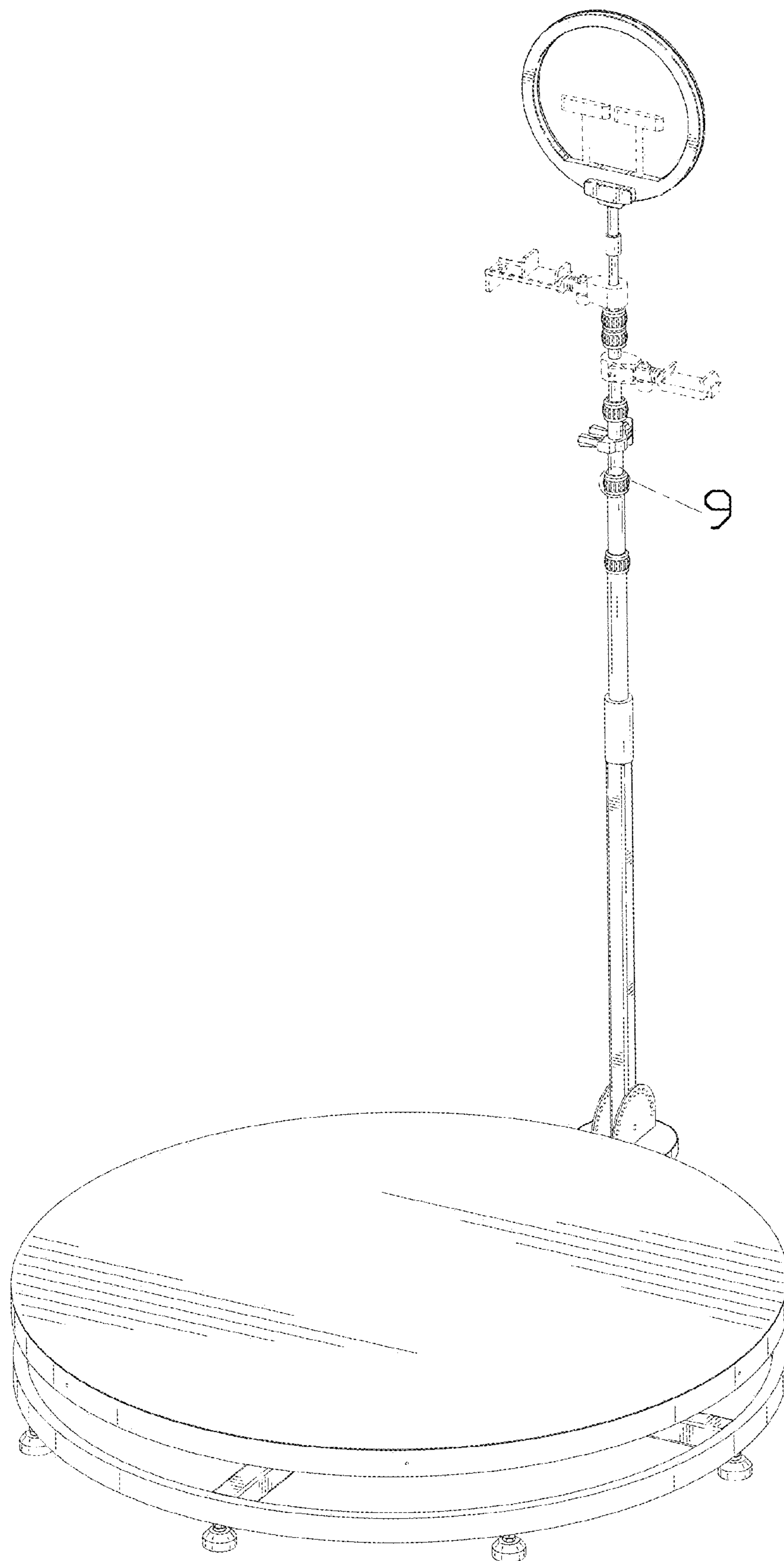


FIG. 1

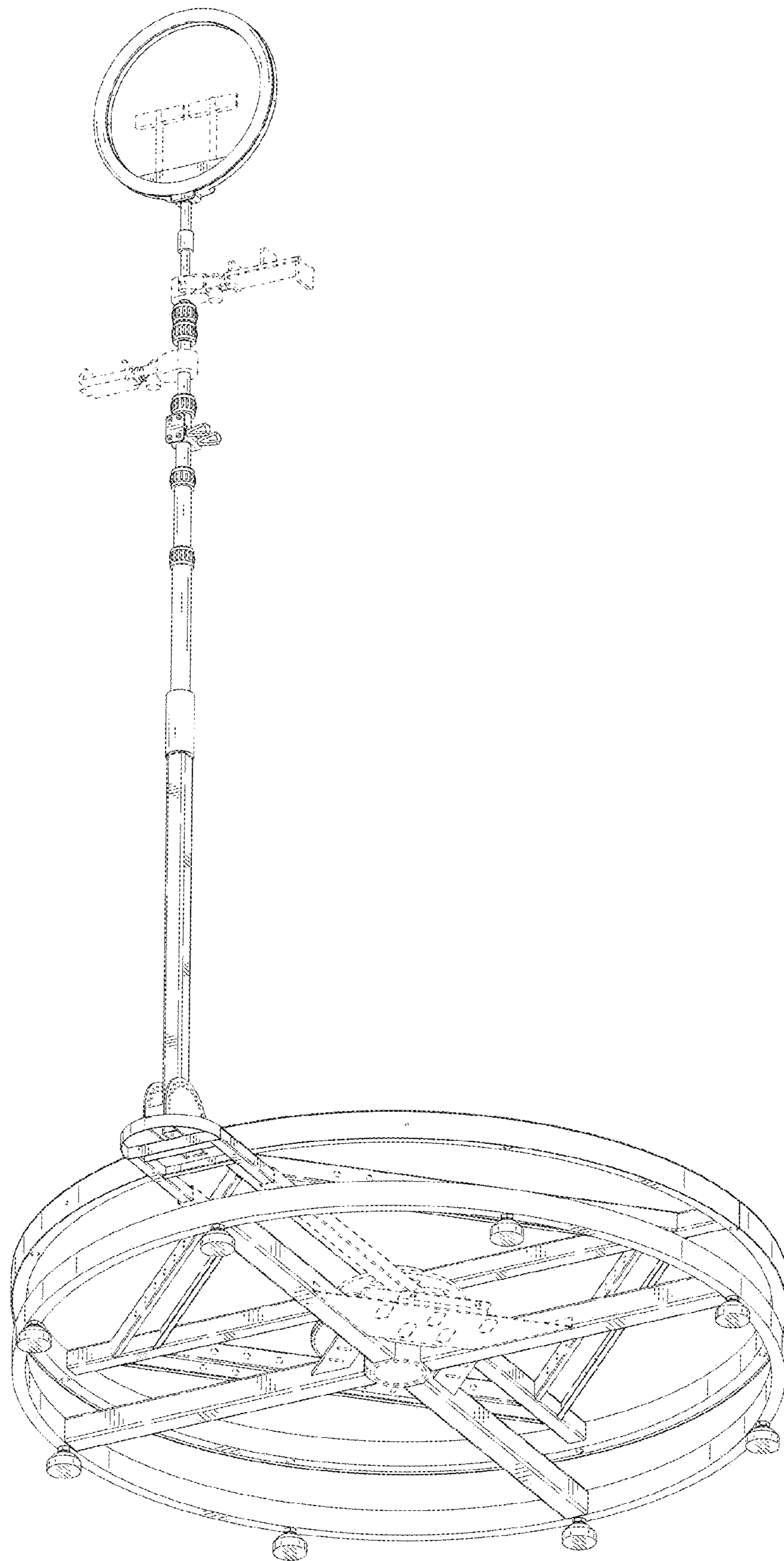


FIG. 2

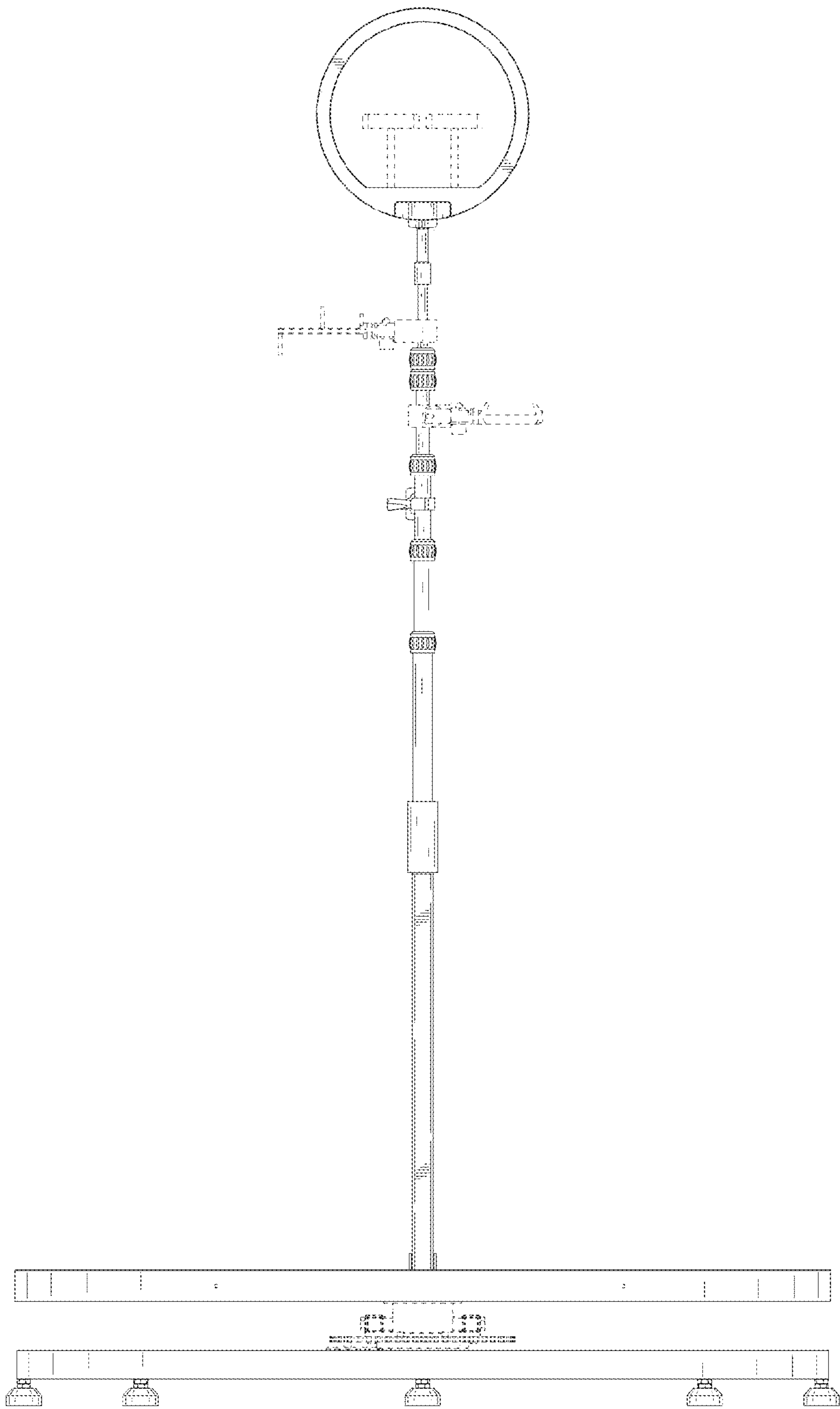


FIG. 3

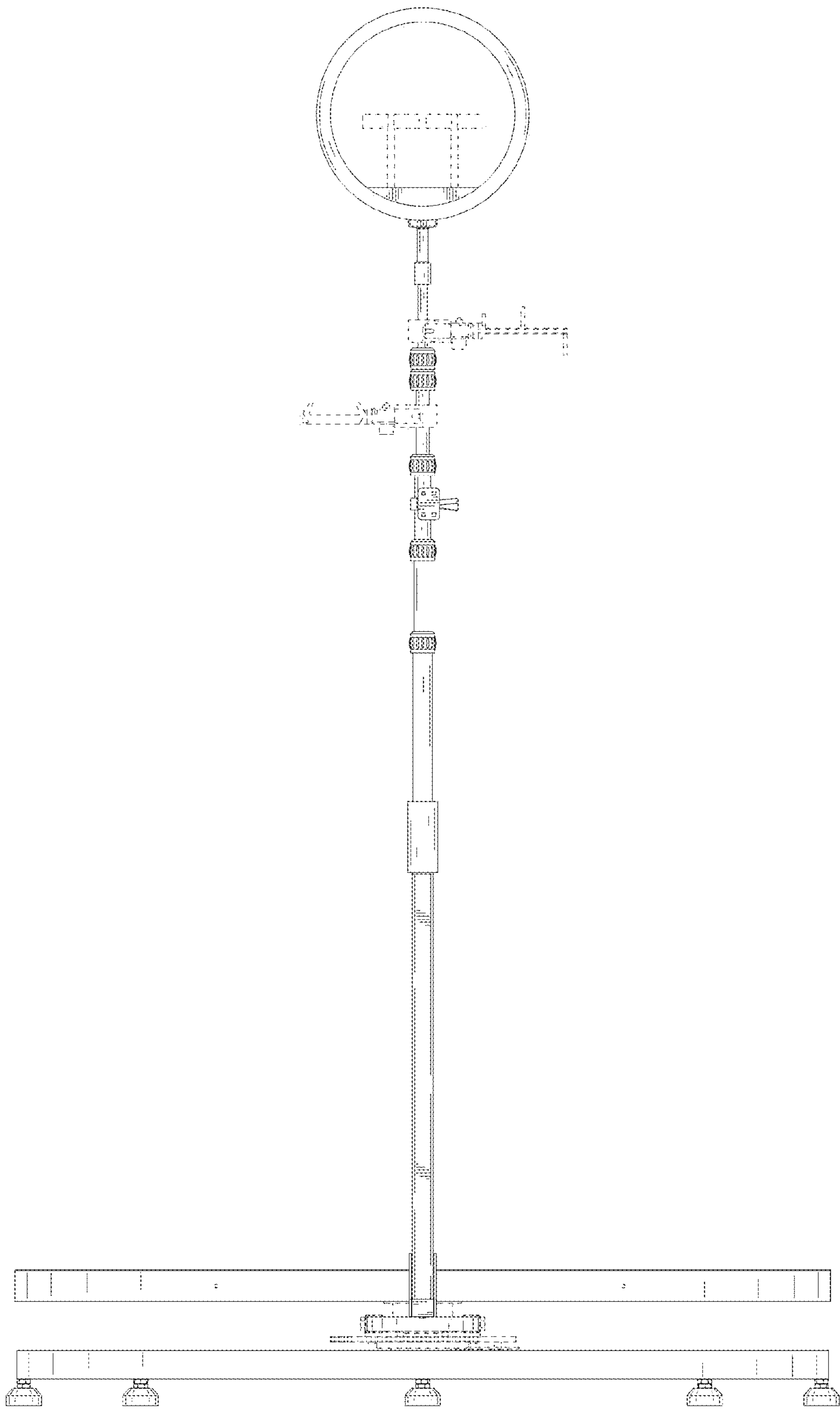


FIG. 4

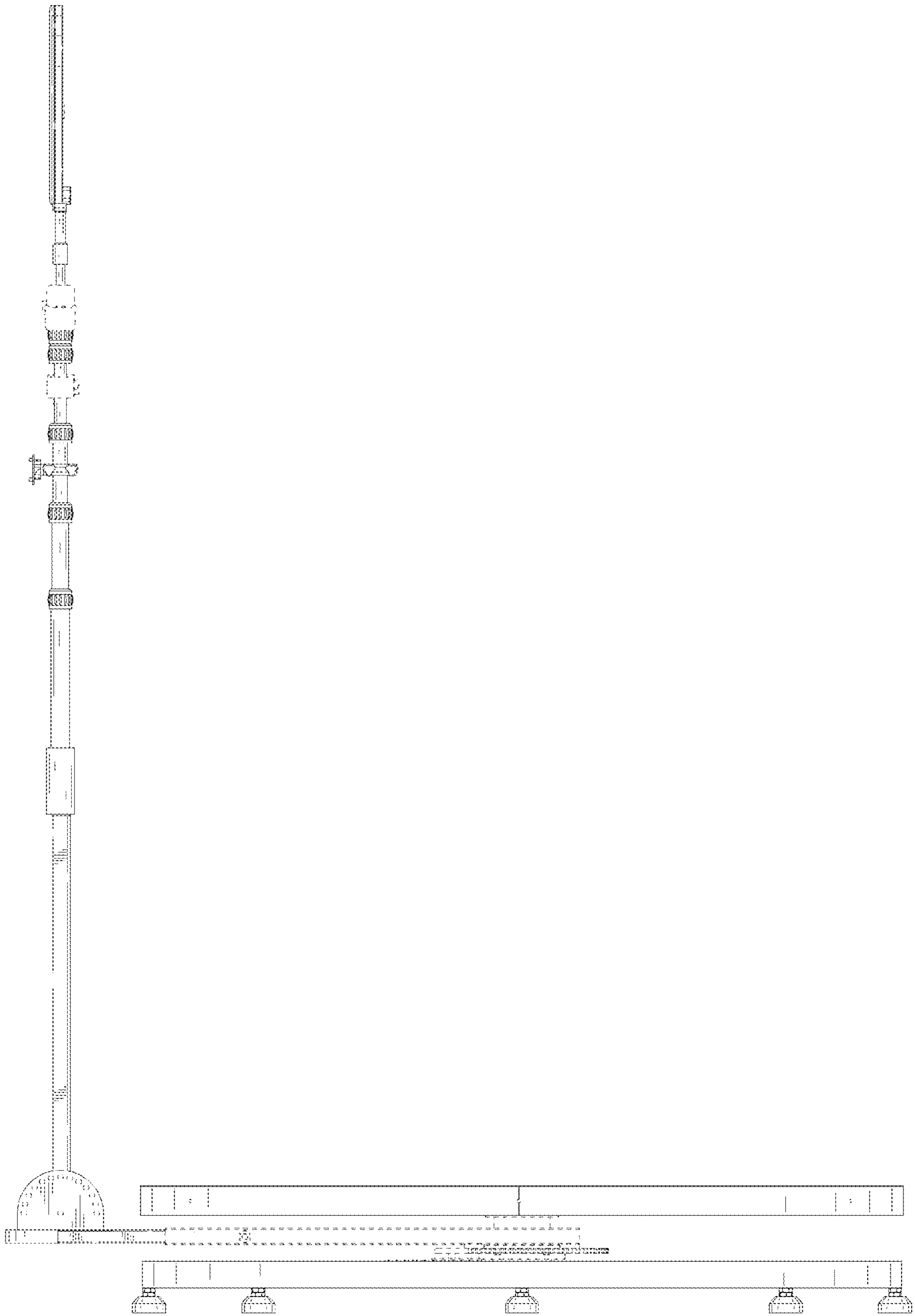


FIG. 5

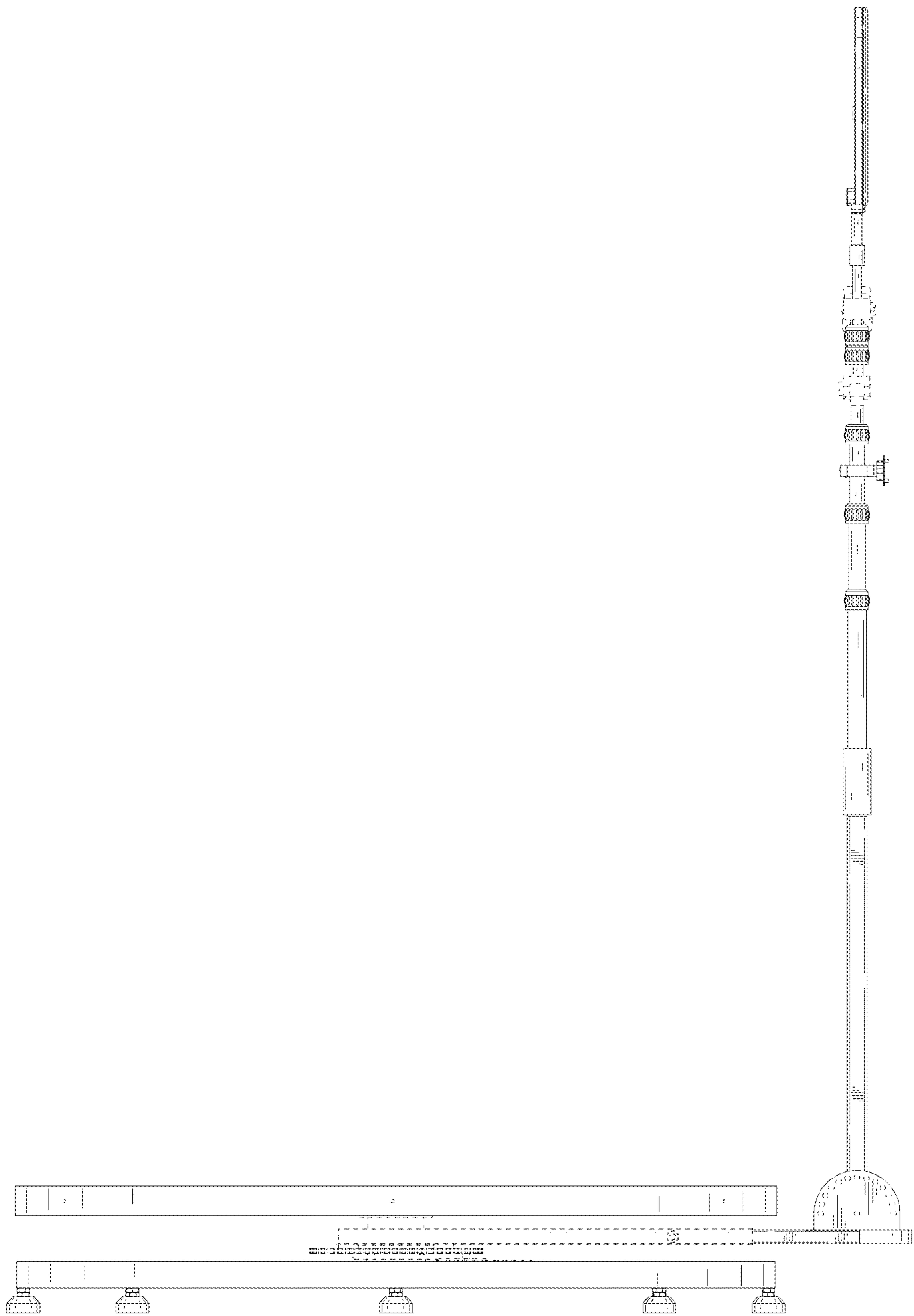


FIG. 6

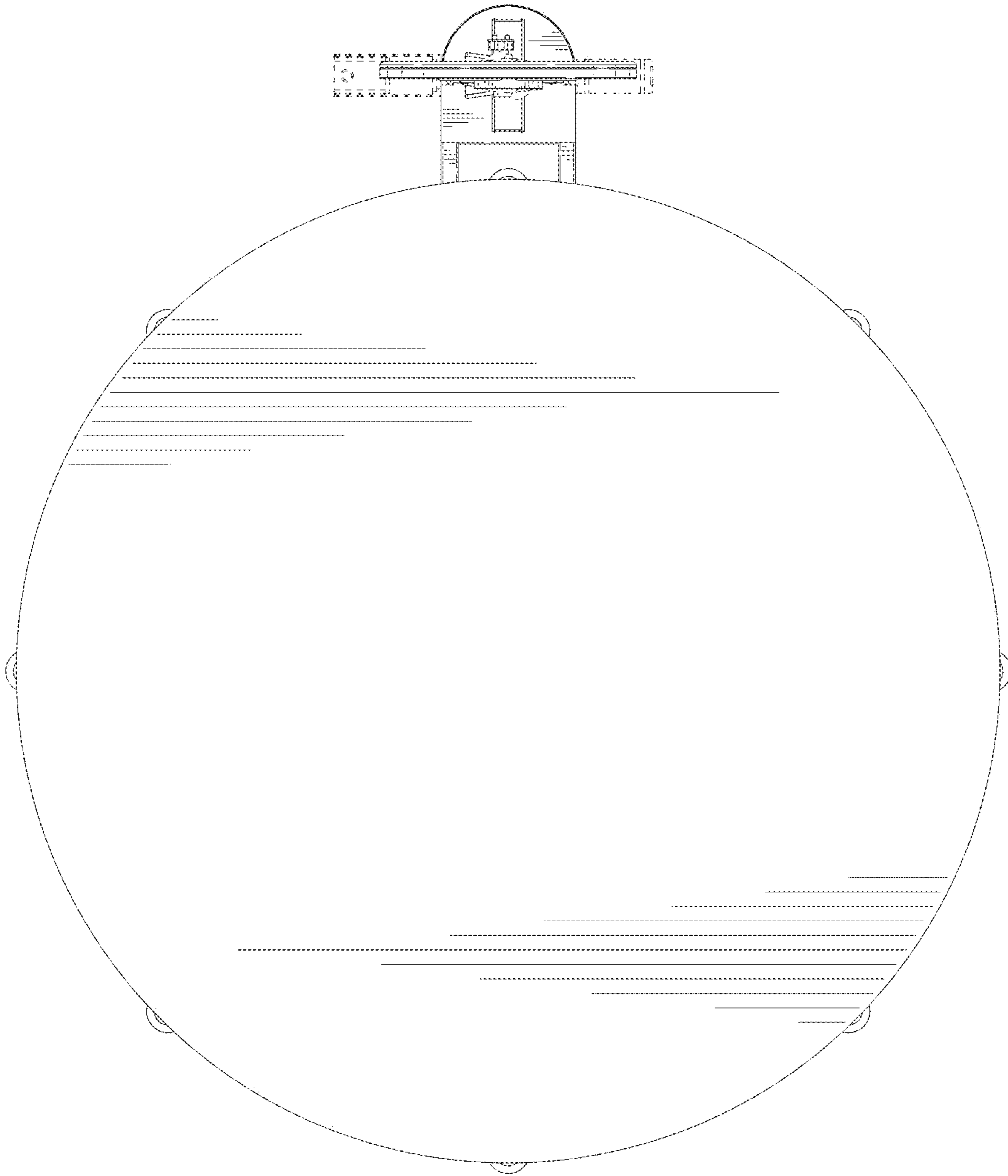


FIG. 7

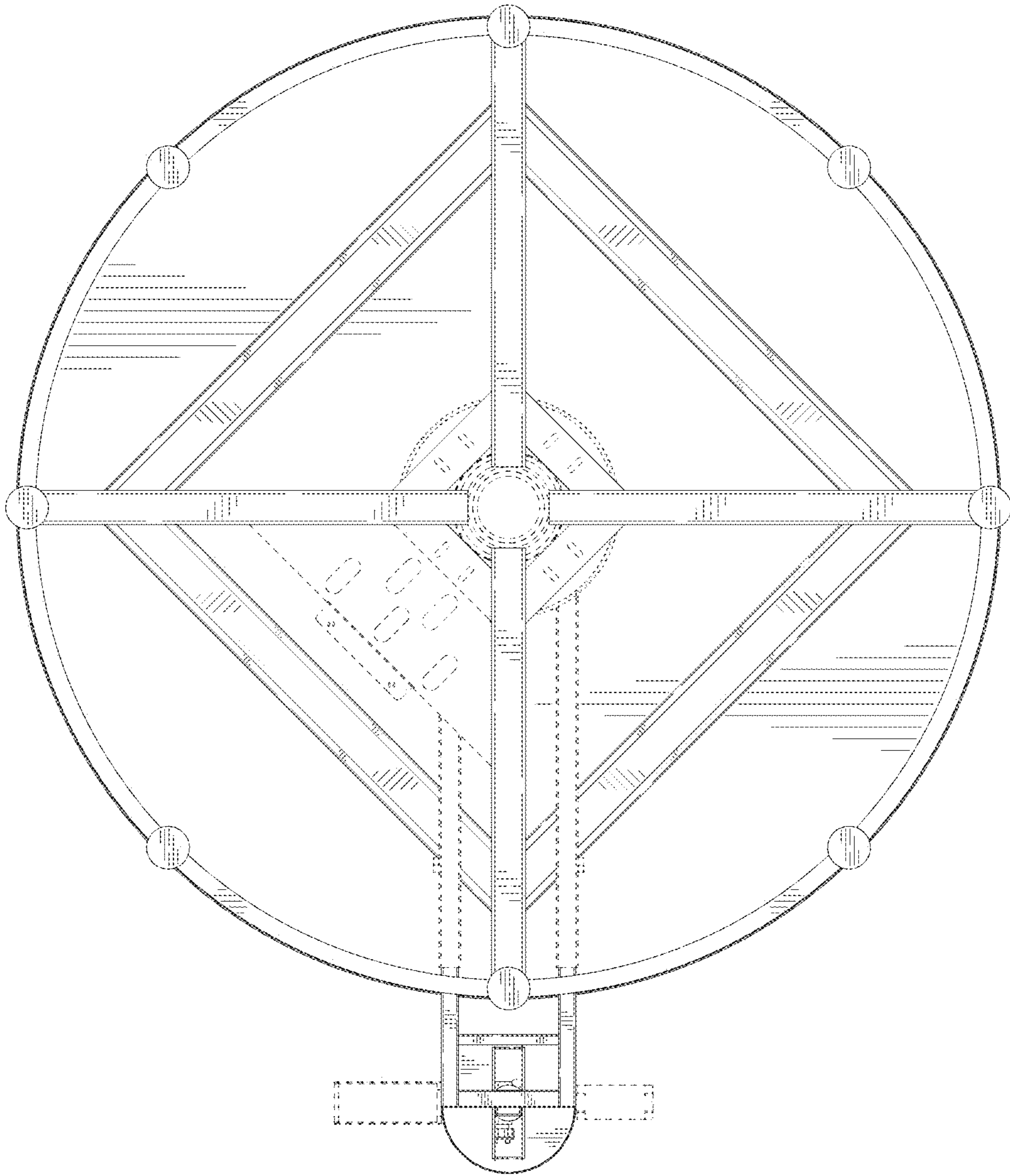


FIG. 8

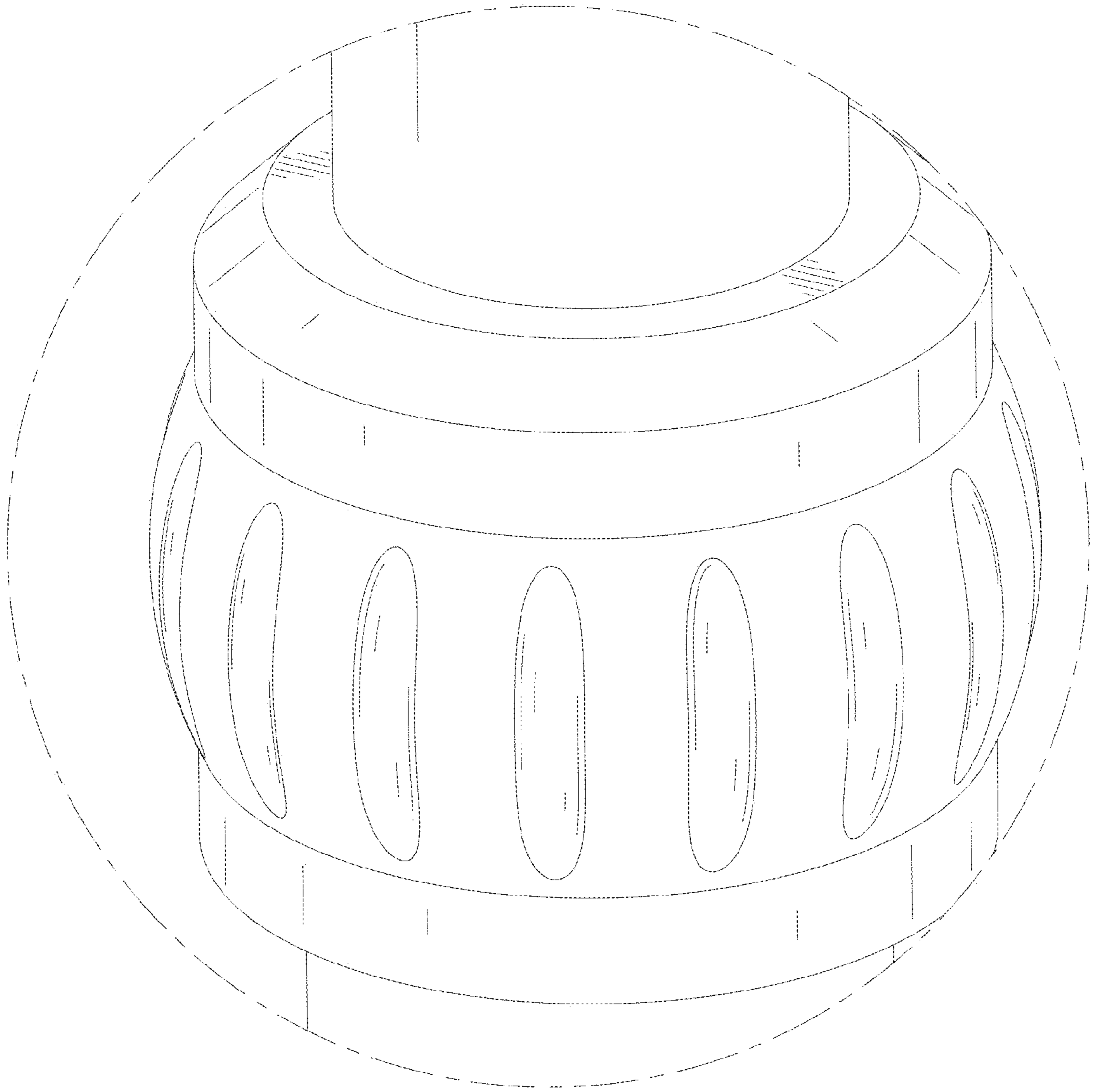


FIG. 9