



US00D978949S

(12) **United States Design Patent**  
**Tang et al.**

(10) **Patent No.:** **US D978,949 S**

(45) **Date of Patent:** **\*\* Feb. 21, 2023**

(54) **SURVEILLANCE CAMERA**

(71) Applicant: **VIVOTEK INC.**, New Taipei (TW)

(72) Inventors: **Wei-Kai Tang**, New Taipei (TW);  
**Shang-Yu Huang**, New Taipei (TW)

(73) Assignee: **VIVOTEK INC.**, New Taipei (TW)

(\*\*) Term: **15 Years**

(21) Appl. No.: **29/728,169**

(22) Filed: **Mar. 17, 2020**

(30) **Foreign Application Priority Data**

Sep. 18, 2019 (TW) ..... 108305650

(51) **LOC (14) Cl.** ..... **16-01**

(52) **U.S. Cl.**  
USPC ..... **D16/203**

(58) **Field of Classification Search**  
USPC .... D16/200–203, 208, 217; D10/46, 61, 62,  
D10/104.1, 106.5, 106.6, 109.1, 109.2,  
D10/114.8; D14/203.1, 474, 498, 506,  
D14/509, 510

CPC ..... G03B 17/00; G03B 17/56; H04N 5/781  
See application file for complete search history.

(56) **References Cited**

**U.S. PATENT DOCUMENTS**

D561,220 S *	2/2008	Alm	.....	D16/203
D689,536 S *	9/2013	Li	.....	D16/218
D692,938 S *	11/2013	Seo	.....	D16/203
D816,755 S *	5/2018	Barnekow	.....	D16/203
D824,985 S *	8/2018	Teachworth	.....	D16/203
D829,801 S *	10/2018	Park	.....	D16/203
D841,716 S *	2/2019	Teachworth	.....	D16/203
D856,397 S *	8/2019	Ahman	.....	D16/203
D863,400 S *	10/2019	Li	.....	D16/203
D870,181 S *	12/2019	Geng	.....	D16/203

D870,792 S *	12/2019	Lundblad	.....	D16/203
D880,556 S *	4/2020	Tang	.....	D16/203
D882,663 S *	4/2020	Walter	.....	D16/203
D906,397 S *	12/2020	Sjögren	.....	D16/203

(Continued)

**FOREIGN PATENT DOCUMENTS**

IN	311613-0001	*	8/2019
JP	D1145410		7/2002

(Continued)

**OTHER PUBLICATIONS**

“Sarix® Professional IWP3 Sseries” from Pelco.com, first retrieved Nov. 14, 2022 from the internet <<https://www.pelco.com/products/cameras/fixed-ip-cameras/fixed-ip-sarix-professional-series/sarix-iwp-3/>> (Year: 2022).\*

(Continued)

*Primary Examiner* — Elizabeth J Oswecki  
*Assistant Examiner* — Lacey Chey Bowman  
(74) *Attorney, Agent, or Firm* — Winston Hsu

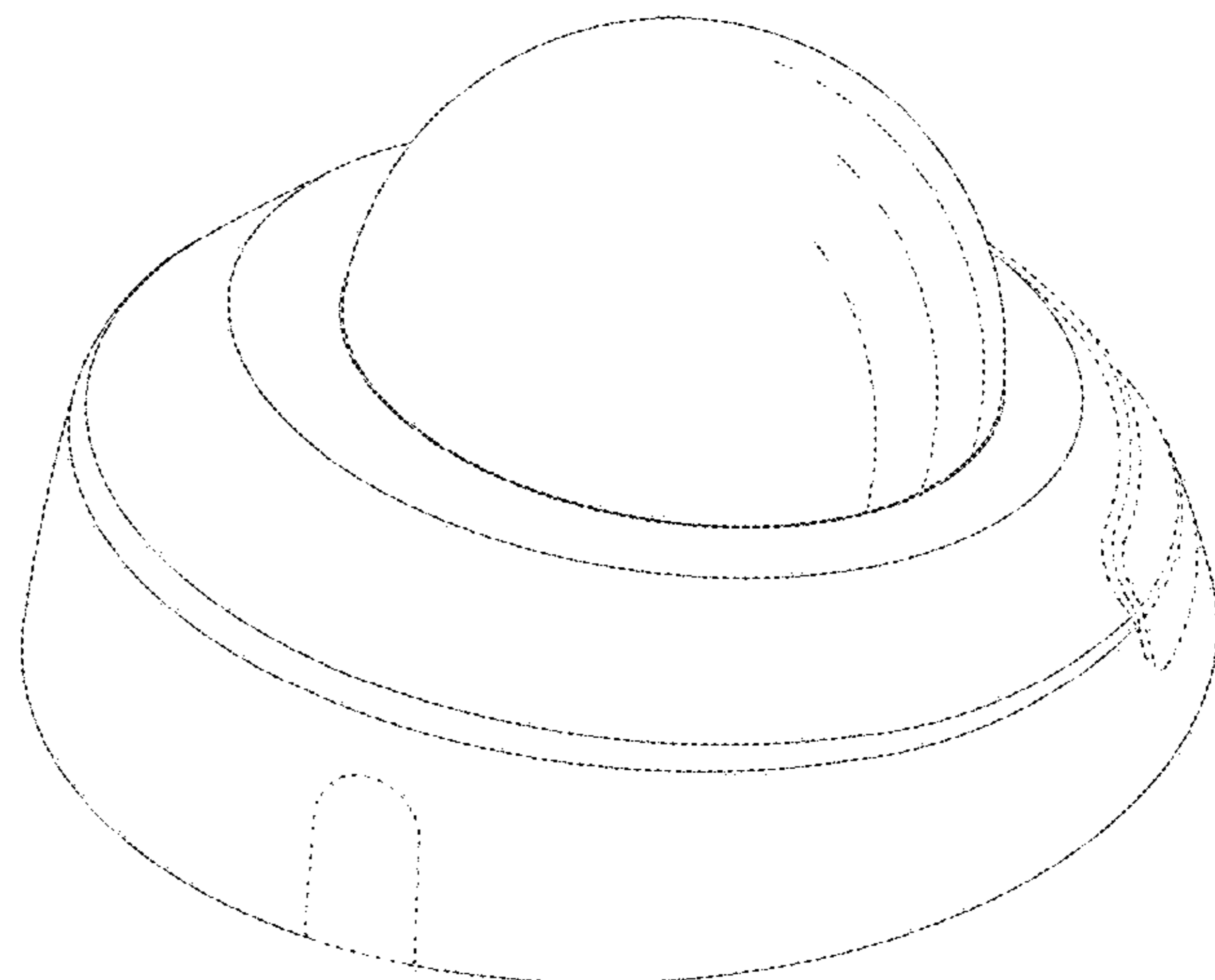
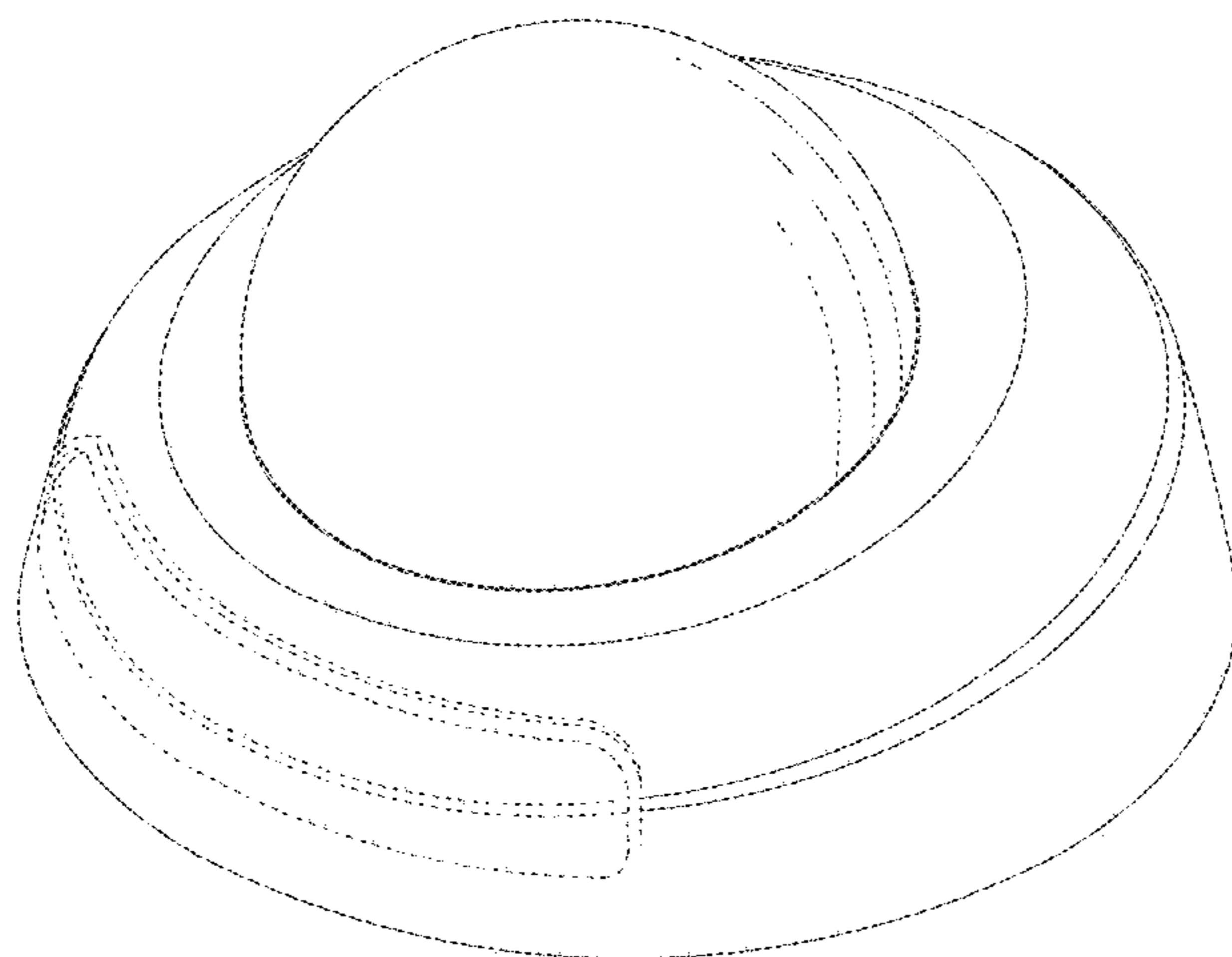
(57) **CLAIM**

The ornamental design for a surveillance camera, as shown and described.

**DESCRIPTION**

FIG. 1 is a top, front, and right side perspective view of a surveillance camera showing our new design; FIG. 2 is a top, rear, and left side perspective view thereof; FIG. 3 is a front elevation view thereof; FIG. 4 is a rear elevation view thereof; FIG. 5 is a left side elevation view thereof; FIG. 6 is a right side elevation view thereof; FIG. 7 is a top plan view thereof; and, FIG. 8 is a bottom plan view thereof. The broken lines depict portions of the surveillance camera that form no part of the claimed design.

**1 Claim, 8 Drawing Sheets**



(56)

**References Cited**

U.S. PATENT DOCUMENTS

D911,417 S \* 2/2021 Sjögren ..... D16/203  
D940,223 S \* 1/2022 Uehara ..... D16/203  
D955,014 S \* 6/2022 Lum ..... D26/24  
2008/0084474 A1 \* 4/2008 Bergstrom ..... G08B 13/19619  
348/143  
2020/0409237 A1 \* 12/2020 Uchiyama ..... G03B 17/56  
2022/0303444 A1 \* 9/2022 Urashima ..... H04N 5/2252

FOREIGN PATENT DOCUMENTS

JP D1598123 \* 2/2018  
TW 204855-0001 \* 5/2020

OTHER PUBLICATIONS

“Axis P3905-R Mk II Network Camera” from Axis.com, first retrieved Nov. 14, 2022 from the internet <<https://www.axis.com/products/axis-p3905-r-mk-ii>> (Year: 2022).\*

“EquiP Series Network Low-Light Micro Dome Camera” from Buildings.honeywell.com, first retrieved Nov. 14, 2022 from the internet <<https://buildings.honeywell.com/us/en/products/by-category/video-systems/cameras/micro-dome-cameras/equip-series-network-low-light-micro-dome-camera>> (Year: 2022).\*

\* cited by examiner

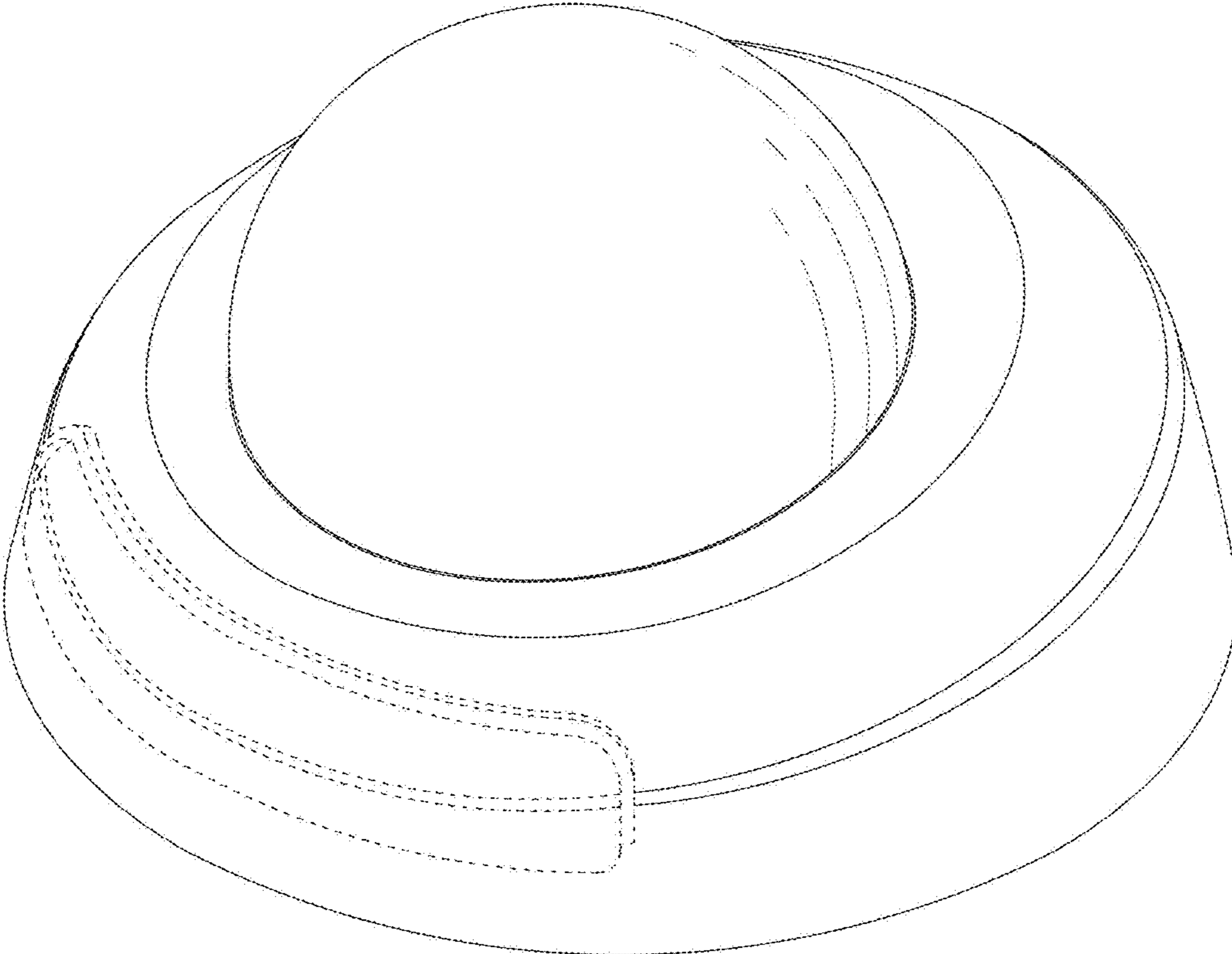


FIG. 1

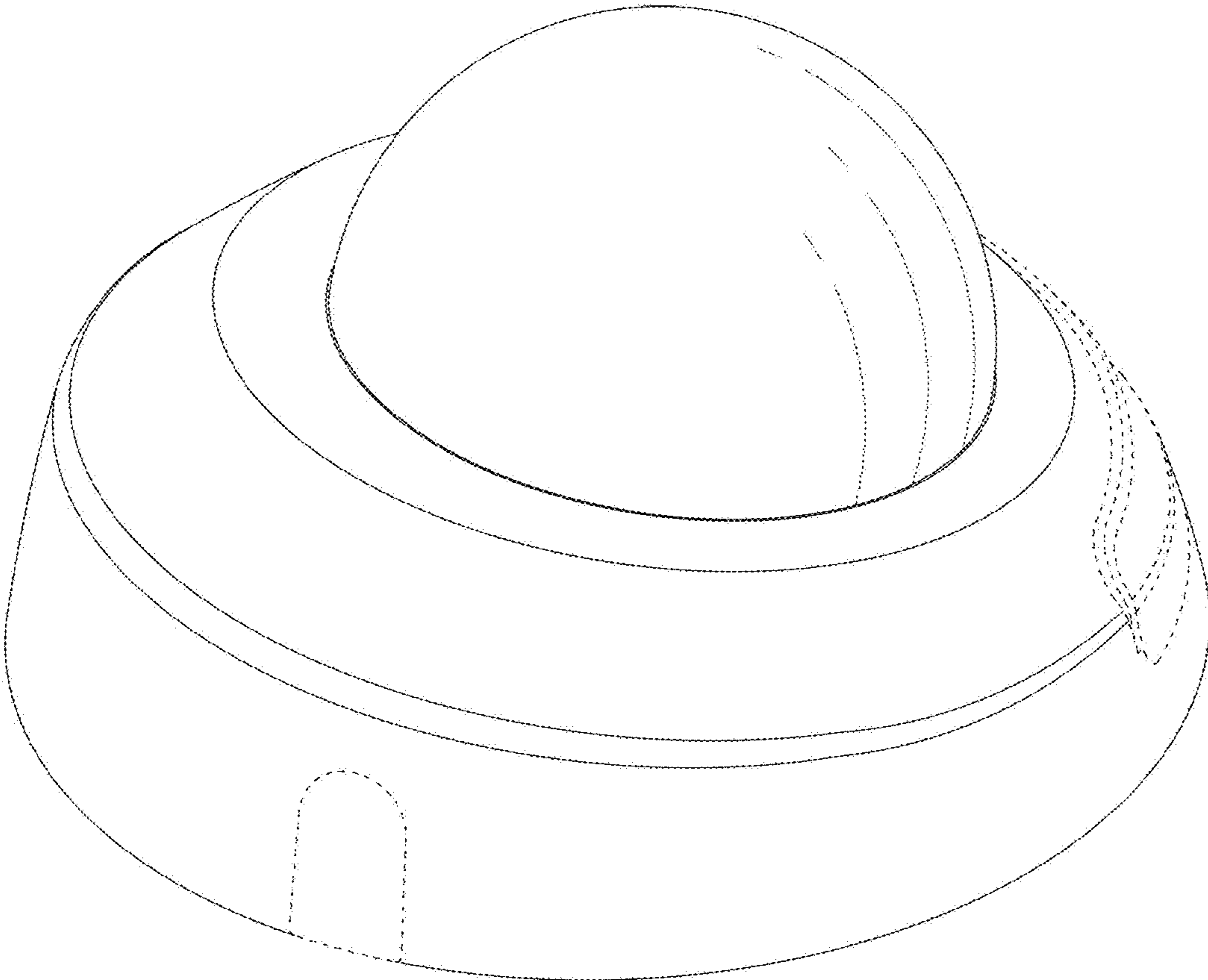


FIG. 2

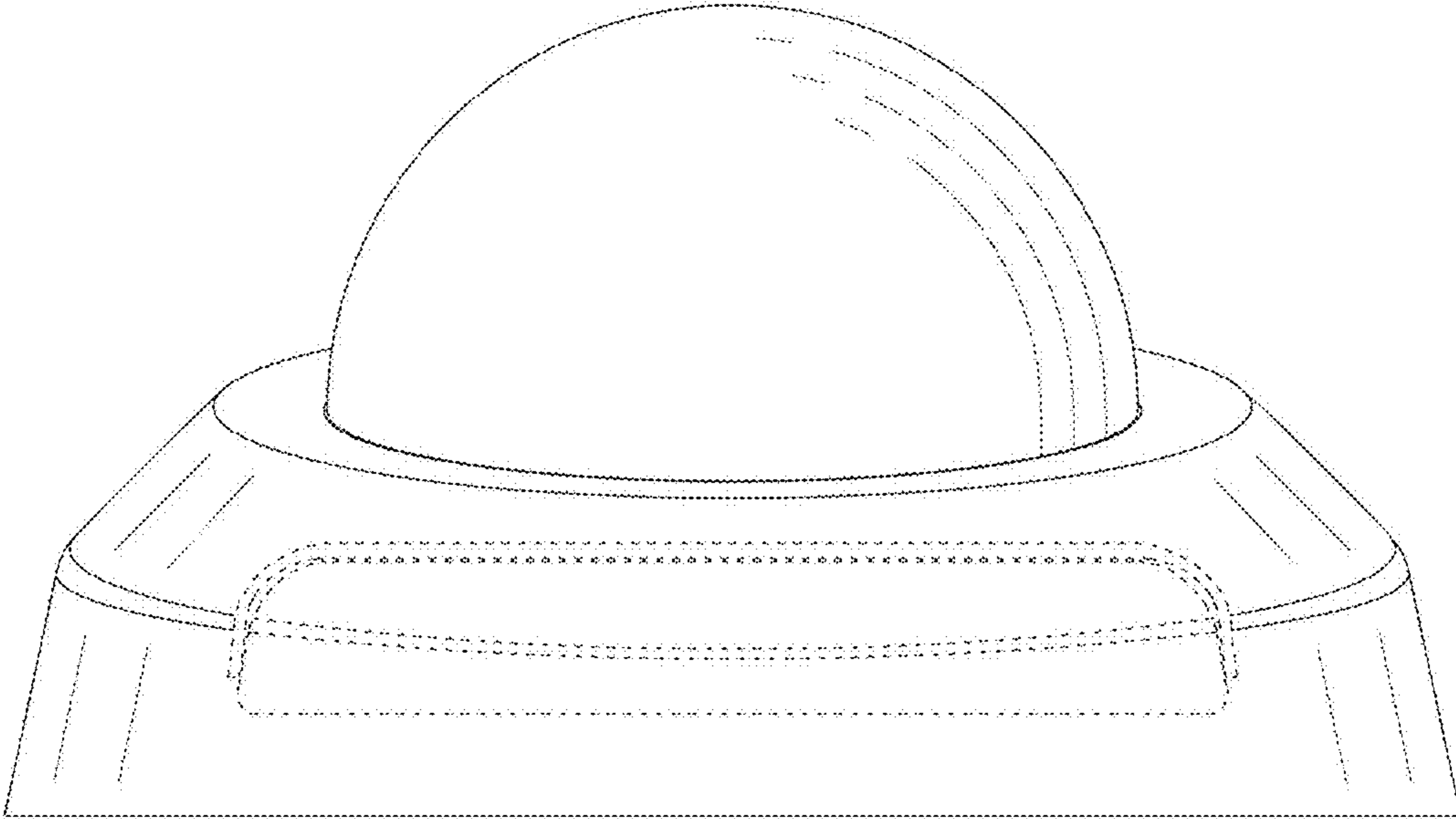


FIG. 3

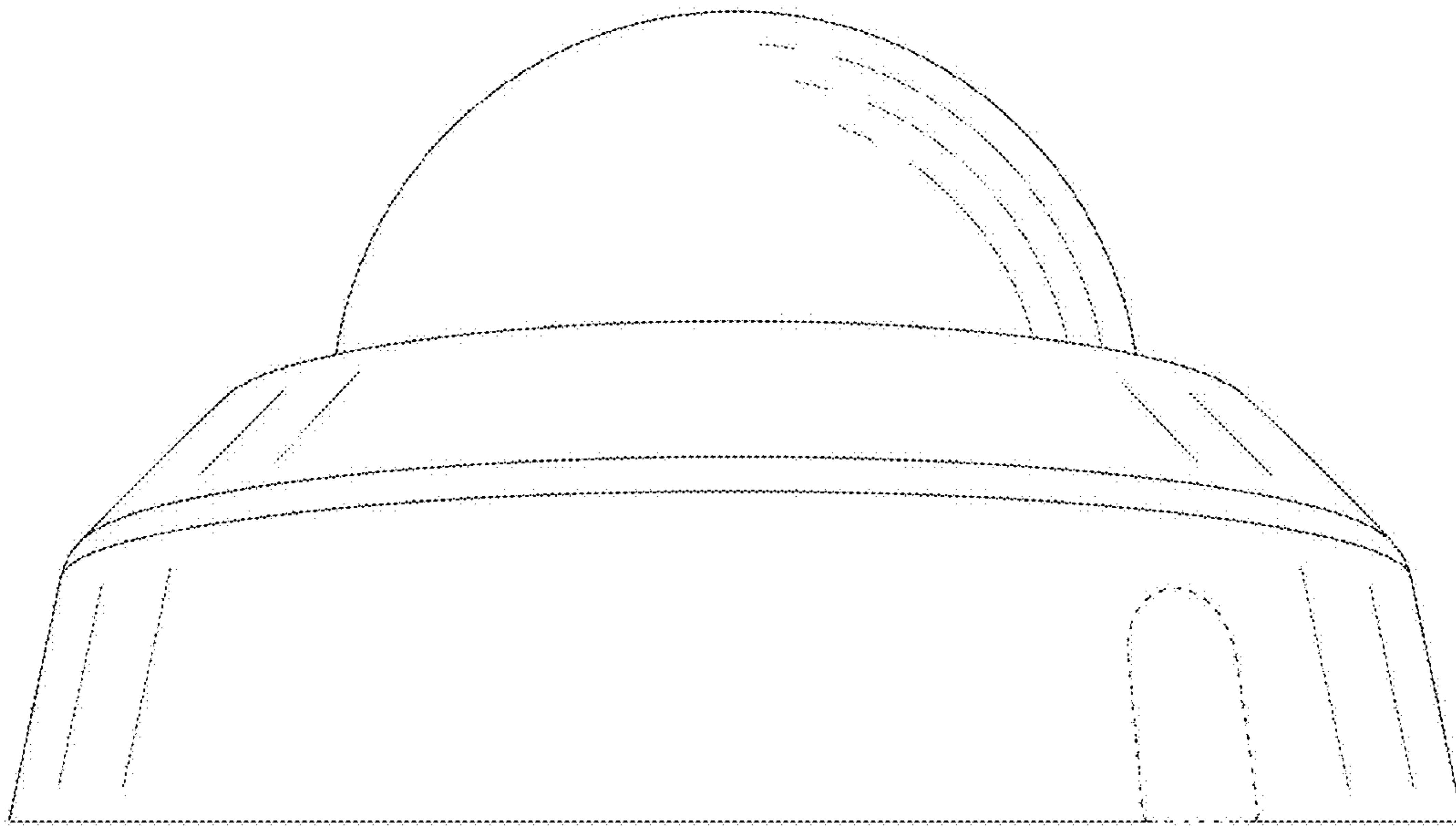


FIG. 4

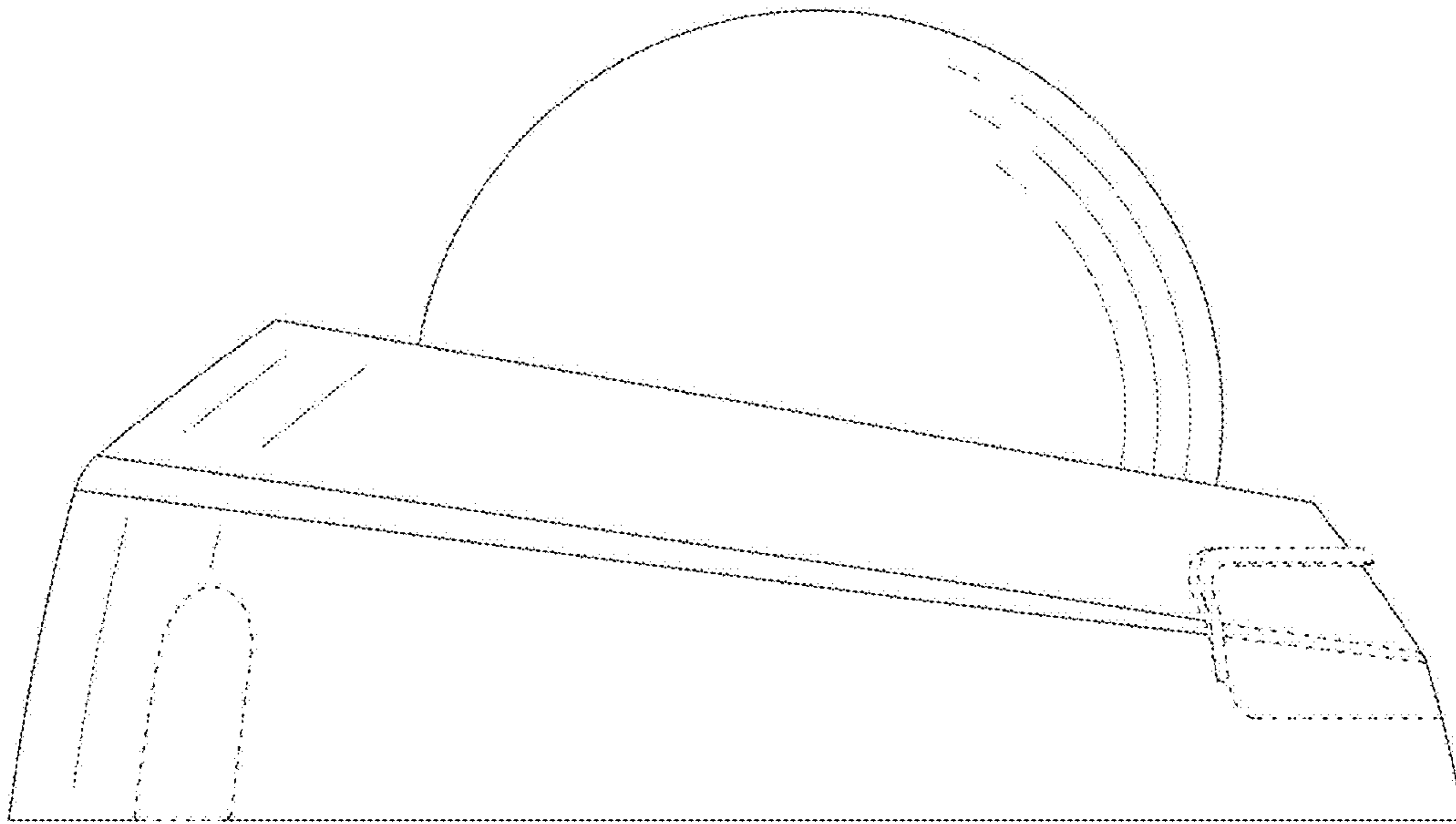


FIG. 5

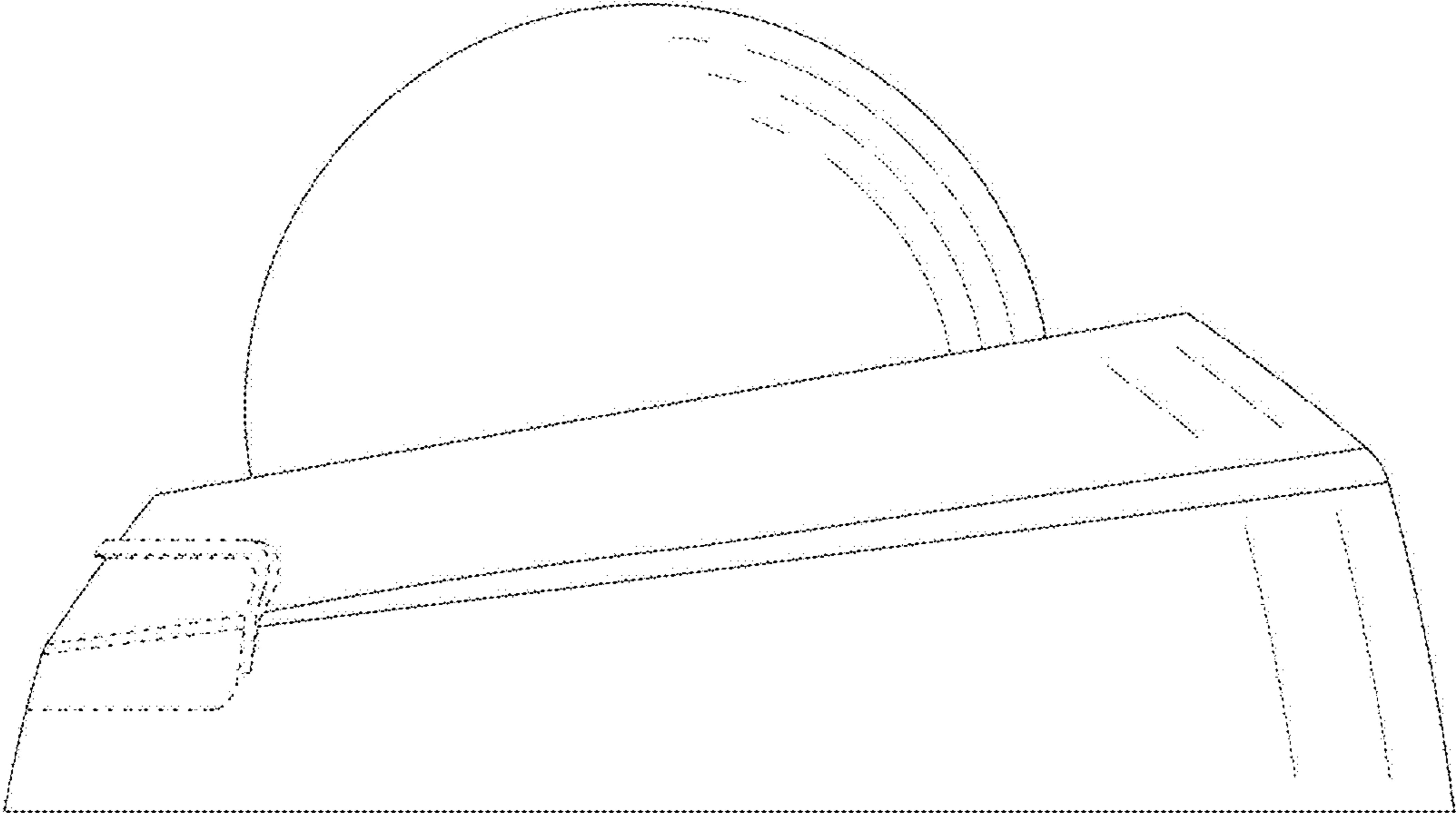


FIG. 6



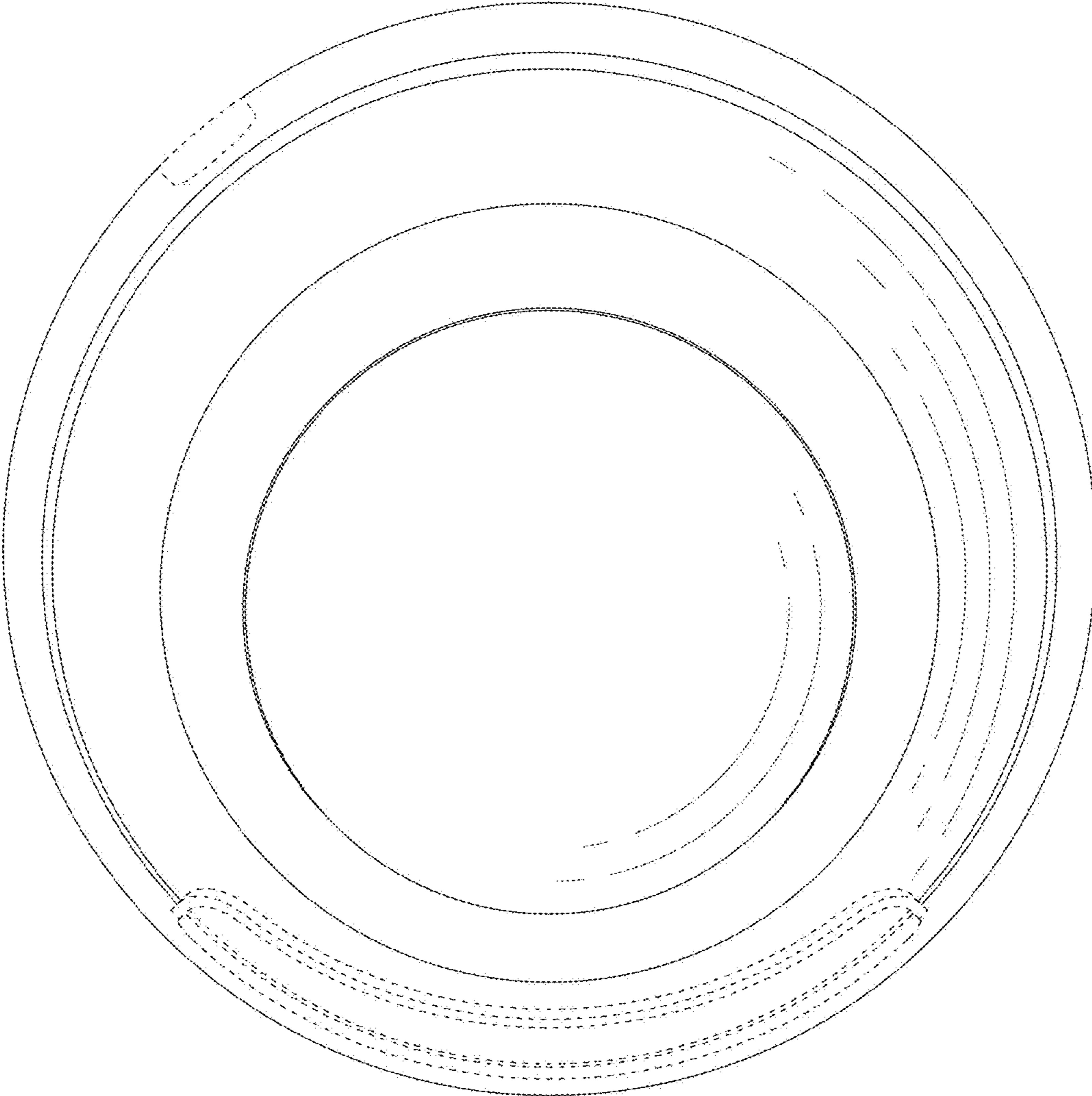


FIG. 7

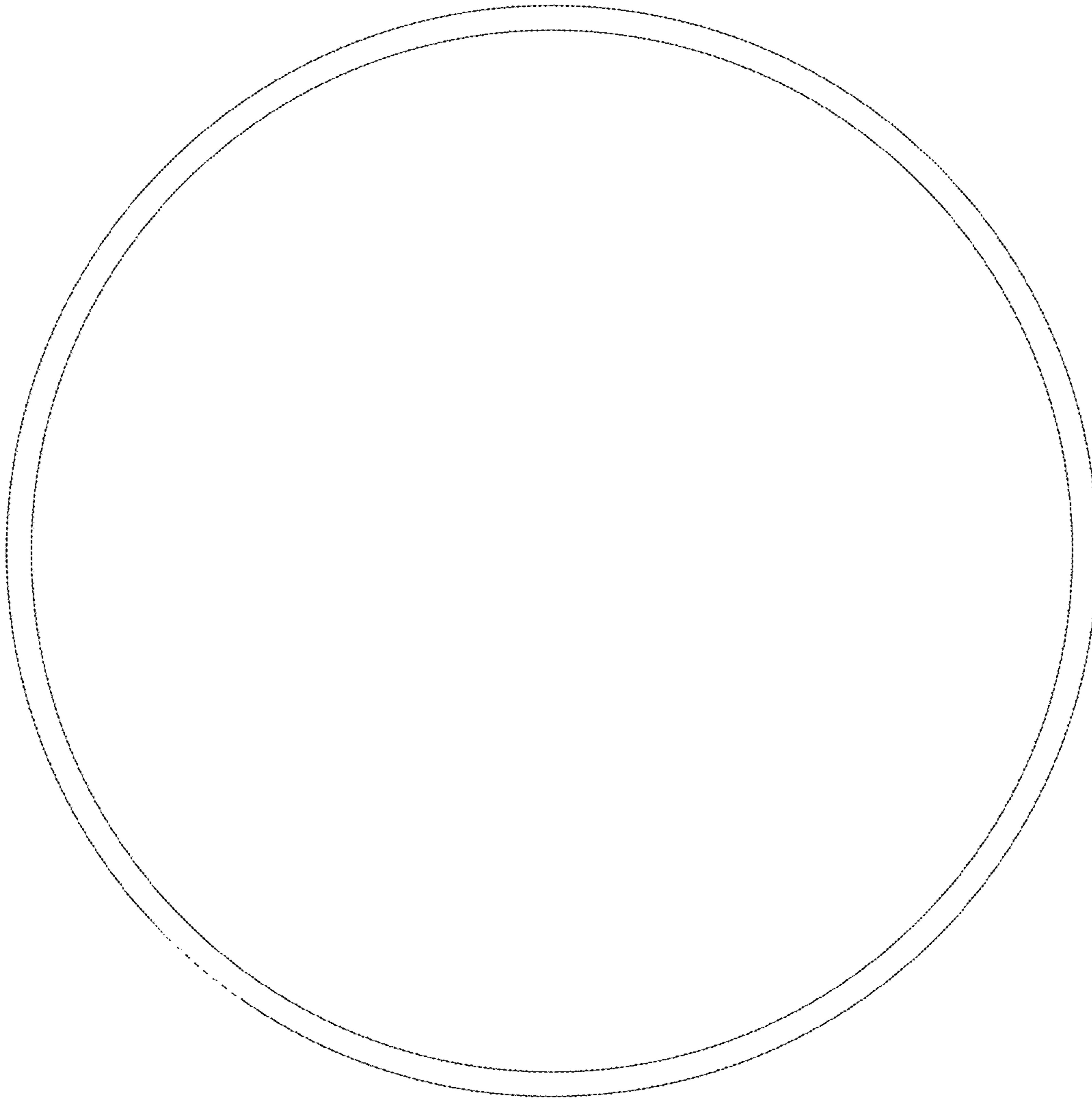


FIG. 8