



US00D978948S

(12) **United States Design Patent**
Tang et al.

(10) **Patent No.:** **US D978,948 S**

(45) **Date of Patent:** **** Feb. 21, 2023**

(54) **SURVEILLANCE CAMERA**

(71) Applicant: **VIVOTEK INC.**, New Taipei (TW)

(72) Inventors: **Wei-Kai Tang**, New Taipei (TW);
Szu-Hsing Cheng, New Taipei (TW)

(73) Assignee: **VIVOTEK INC.**, New Taipei (TW)

(**) Term: **15 Years**

(21) Appl. No.: **29/727,414**

(22) Filed: **Mar. 10, 2020**

(30) **Foreign Application Priority Data**

Sep. 12, 2019 (TW) 108305556

(51) **LOC (14) Cl.** **16-01**

(52) **U.S. Cl.**
USPC **D16/203**

(58) **Field of Classification Search**
USPC D16/200–203, 208, 217; D10/46, 61, 62,
D10/104.1, 106.5, 106.6, 109.1, 109.2,
D10/114.8; D14/203.1, 474, 498, 506,
D14/509, 510

CPC G03B 17/00; G03B 17/56; H04N 5/781

See application file for complete search history.

(56) **References Cited**

U.S. PATENT DOCUMENTS

D483,730 S	*	12/2003	Shively	D14/509
D694,305 S	*	11/2013	Katori	D16/203
D729,859 S	*	5/2015	Shin	D16/203
D743,465 S	*	11/2015	Aglassinger	D16/203
D748,178 S	*	1/2016	Scalisi	D10/118.2
D749,660 S	*	2/2016	Yu	D16/203
D751,621 S	*	3/2016	Katori	D16/203
D751,937 S	*	3/2016	Treadwell	D10/106.6
D752,674 S	*	3/2016	Katori	D16/203
D755,068 S	*	5/2016	Treadwell	D10/106.6
D796,566 S	*	9/2017	Bingleman	D16/203
D796,567 S	*	9/2017	Bingleman	D16/203

(Continued)

FOREIGN PATENT DOCUMENTS

CN	304927170	*	12/2018
KR	300756339.0000	*	8/2014
TW	204854-0001	*	5/2020

OTHER PUBLICATIONS

“Amcrest Fisheye IP POE Camera, 360° Panoramic 5-Megapixel POE IP Camera, Fish Eye Security Indoor Camera, 33ft Nightvision, IVS Features and People Counting, MicroSD Recording, IP5M-F1180EW-V2 (White)” from Amazon.com, first available Oct. 3, 2019 from the internet <<https://www.amazon.com/Amercrest-5-Megapixel-Panoramic-Nightvision-IP5M-F1180EW/dp/B07YNVJDJH/>> (Year: 2019).*

(Continued)

Primary Examiner — Elizabeth J Oswecki

Assistant Examiner — Lacey Chey Bowman

(74) *Attorney, Agent, or Firm* — Winston Hsu

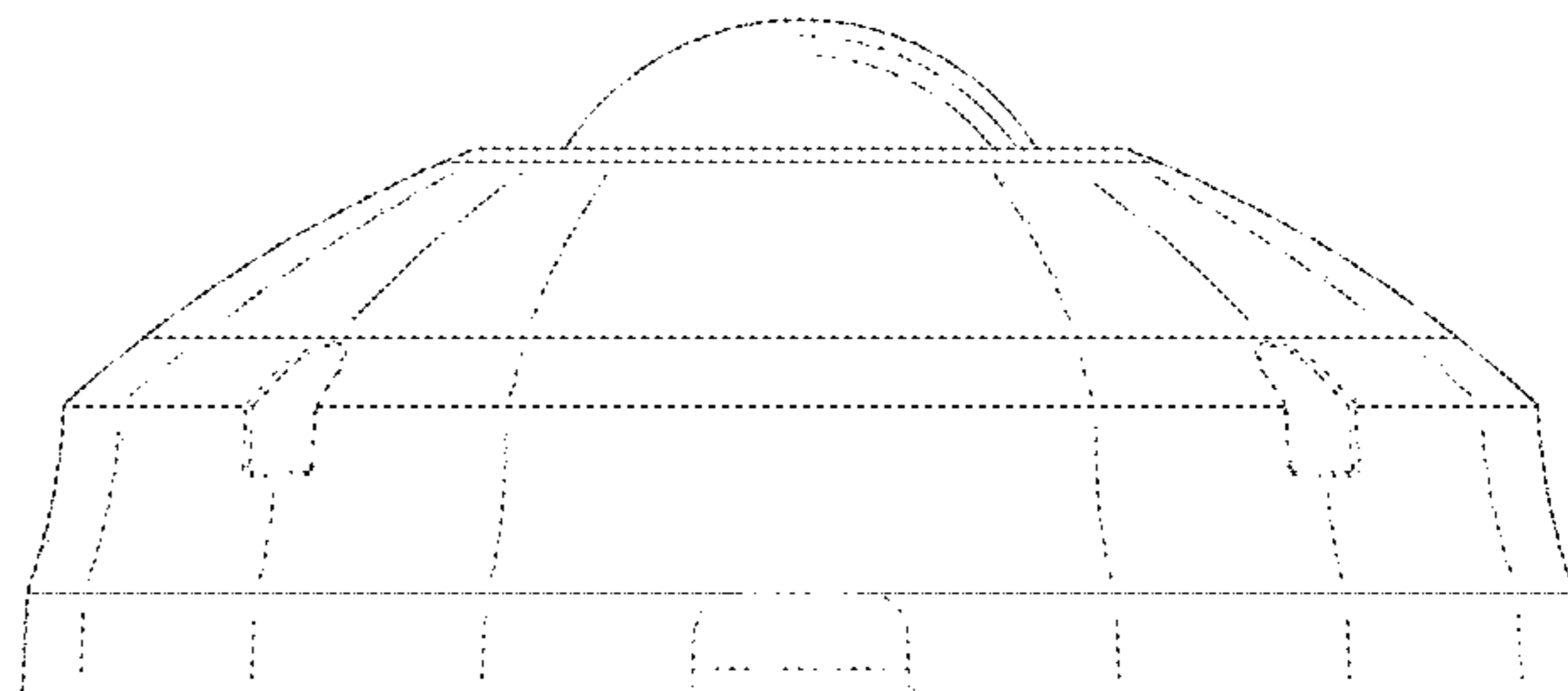
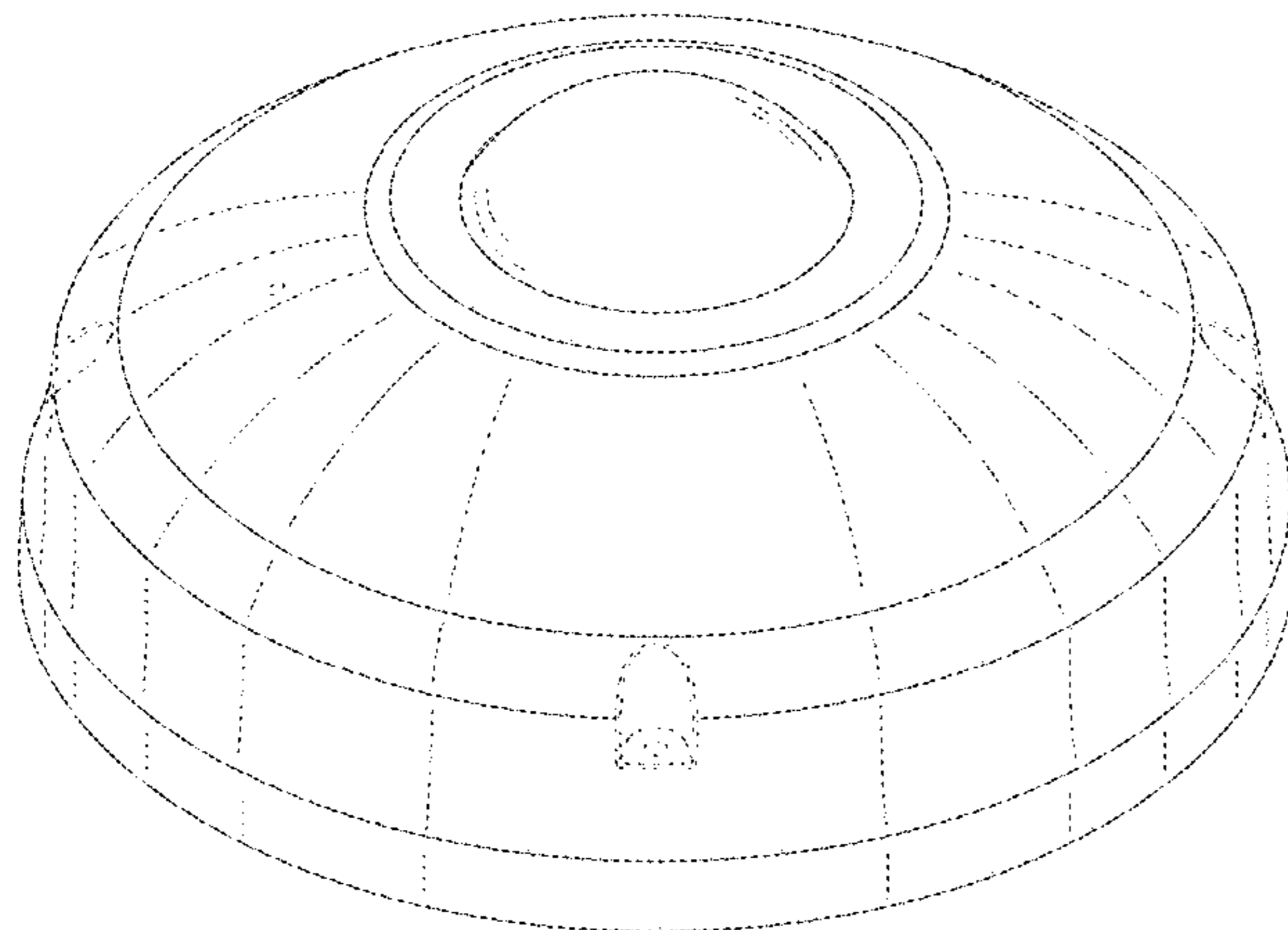
(57) **CLAIM**

The ornamental design for a surveillance camera, as shown and described.

DESCRIPTION

FIG. 1 is a top, front, and right side perspective view of a surveillance camera showing our new design; FIG. 2 is a top, rear, and left side perspective view thereof; FIG. 3 is a front elevation view thereof; FIG. 4 is a rear elevation view thereof; FIG. 5 is a left side elevation view thereof; FIG. 6 is a right side elevation view thereof; FIG. 7 is a top plan view thereof; and, FIG. 8 is a bottom plan view thereof. The broken lines depict portions of the surveillance camera that form no part of the claimed design.

1 Claim, 8 Drawing Sheets



(56)

References Cited

U.S. PATENT DOCUMENTS

D822,088	S	*	7/2018	Park	D16/203
D837,863	S	*	1/2019	Persson	D16/203
D848,514	S	*	5/2019	Ahman	D16/203
D849,120	S	*	5/2019	Ahman	D16/203
D860,288	S	*	9/2019	Ohashi	D16/203
D866,636	S	*	11/2019	Walter	D16/203
D866,641	S	*	11/2019	Walter	D16/203
D891,500	S	*	7/2020	Tang	D16/203
D923,072	S	*	6/2021	Persson	D16/203
D953,901	S	*	6/2022	Cound	D10/70
D960,742	S	*	8/2022	Okoli	D10/46

OTHER PUBLICATIONS

“Montavue 12MP 360° AI Panoramic Fisheye Security Camera—MTF12360-AI” from Montavue.com, first retrieved on Nov. 14, 2022 from the internet <https://montavue.com/products/montavue-12mp-360-ai-panoramic-fisheye-security-camera-mtf12360-ai?variant=41927820542128&utm_source=GoogleShopping&utm_medium=AdWords&utm_campaign=ShoppingFeed&gc_id=18225136727&gclid=EAIaIQobChMI3aDD37Ou-wlVArLICH1pKgyMEAkYCiABEgllkPD_BwE> (Year: 2022).*

“InVid ULT-P6PAN 6 Megapixel Outdoor Vandal IP Plug & Play Panoramic Camera, 1.27mm Lens” from Surveillance-video.com, first retrieved Nov. 14, 2022 from the internet <<https://www.surveillance-video.com/camera-ult-p6pan.html>> (Year: 2022).*

* cited by examiner

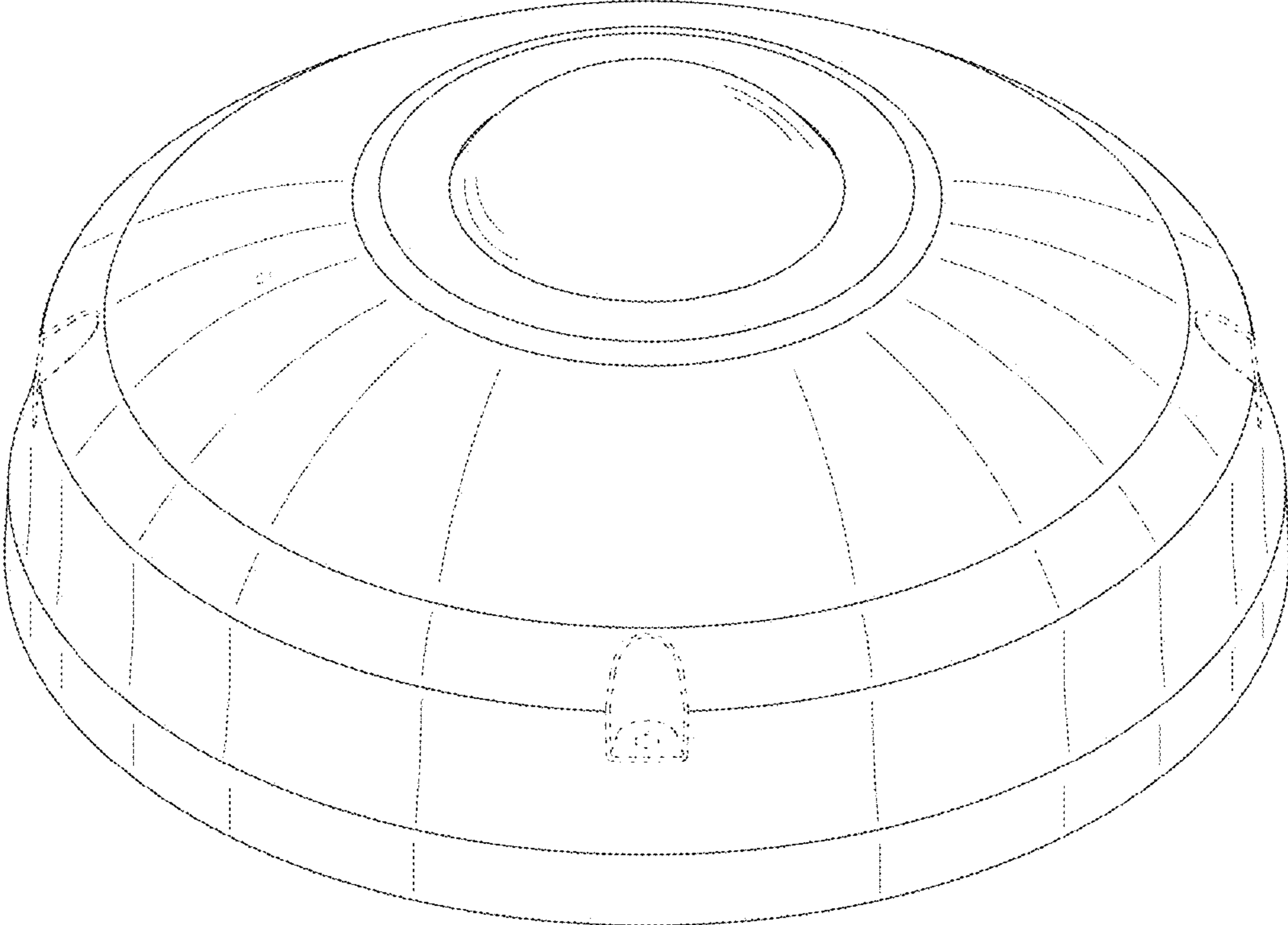


FIG. 1

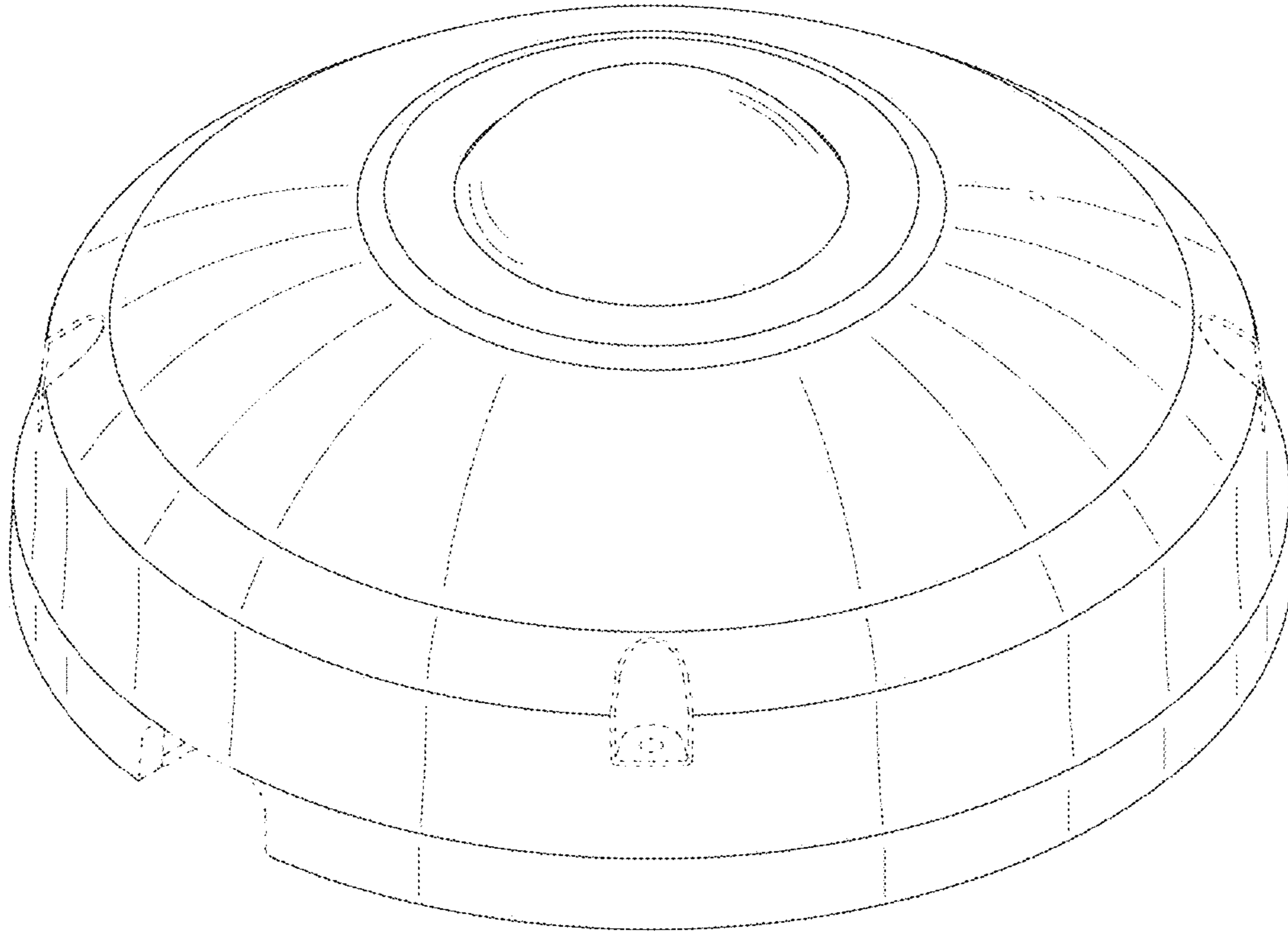


FIG. 2

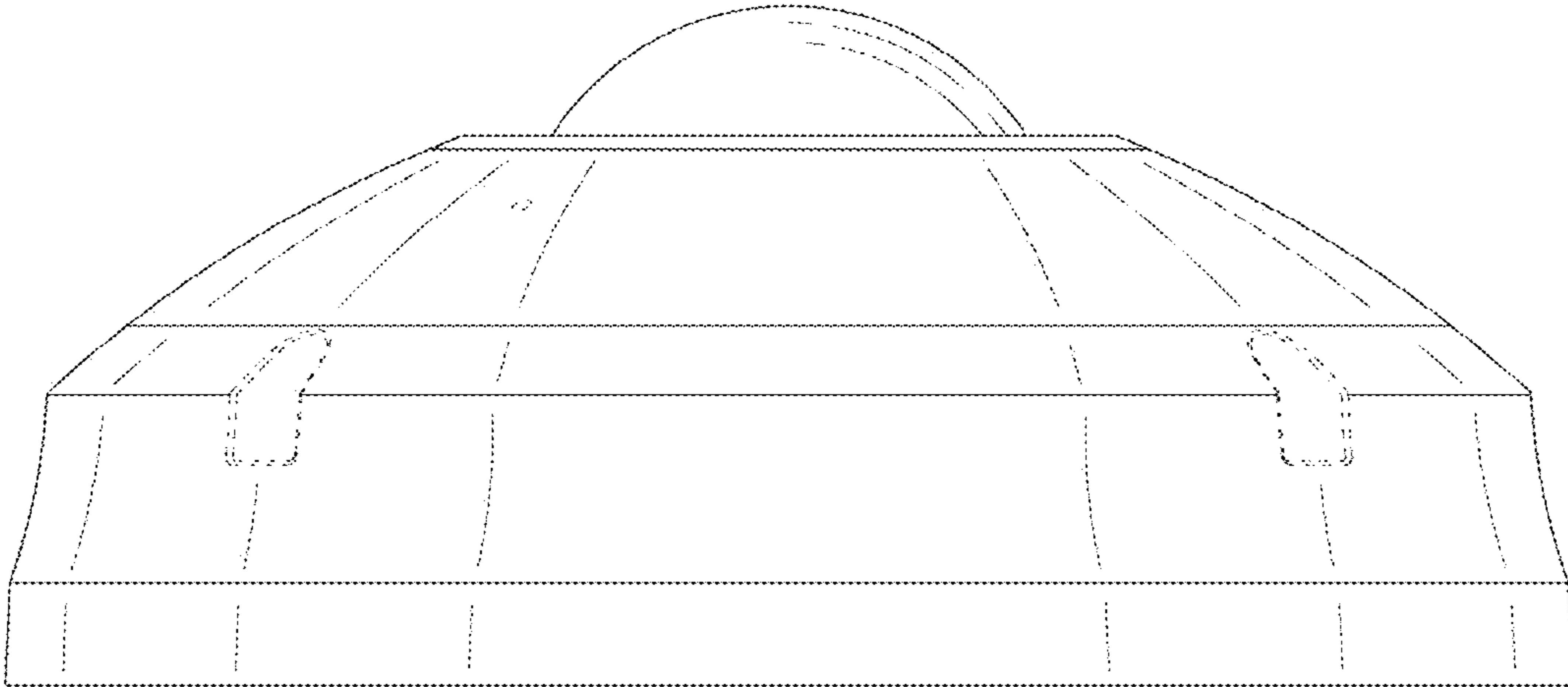


FIG. 3

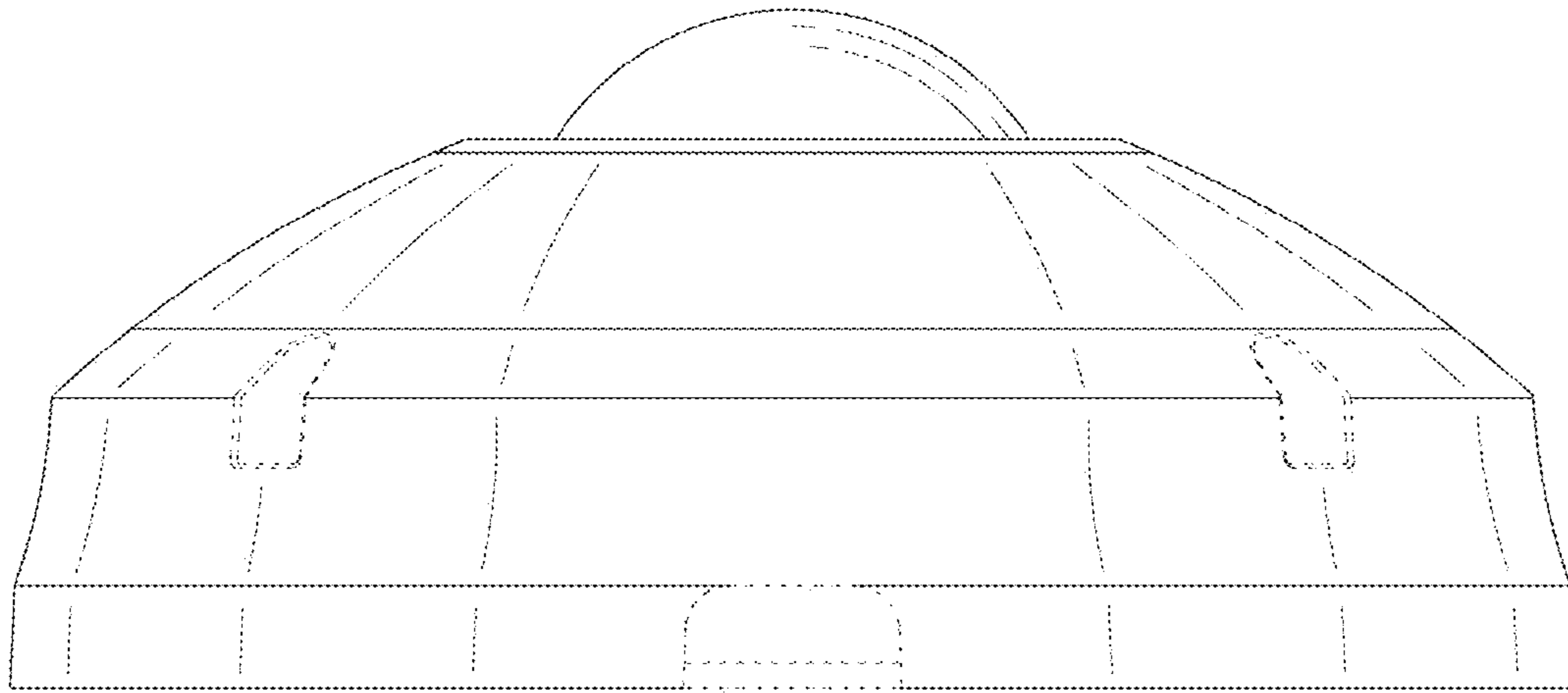


FIG. 4

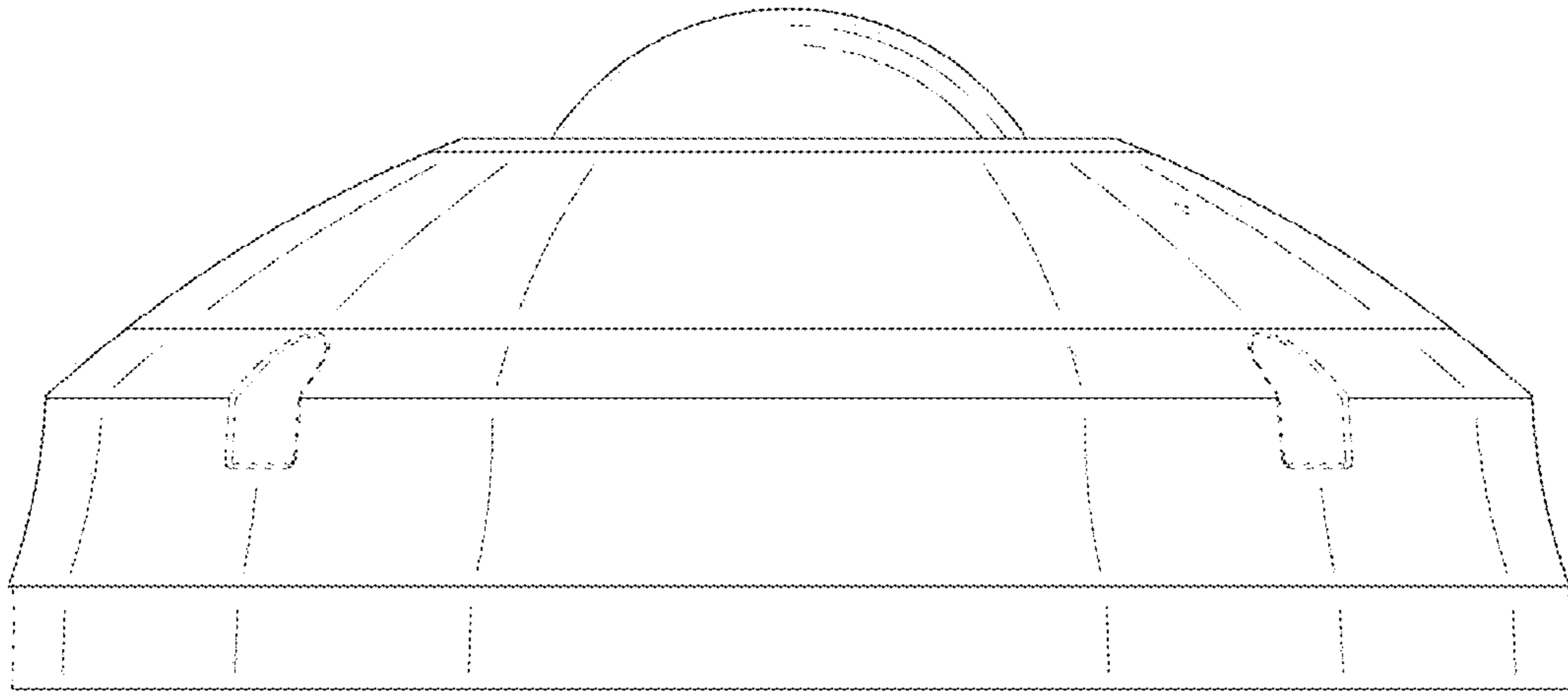


FIG. 5

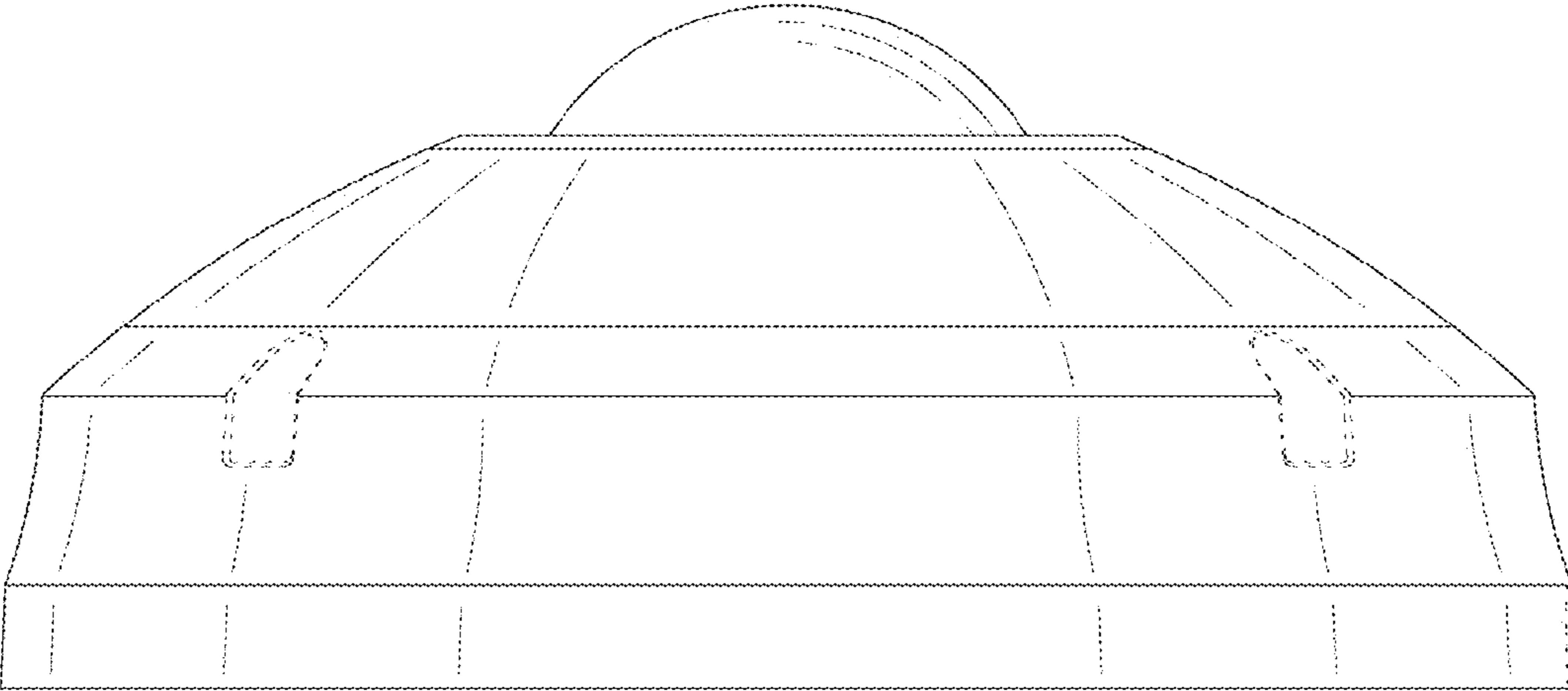


FIG. 6

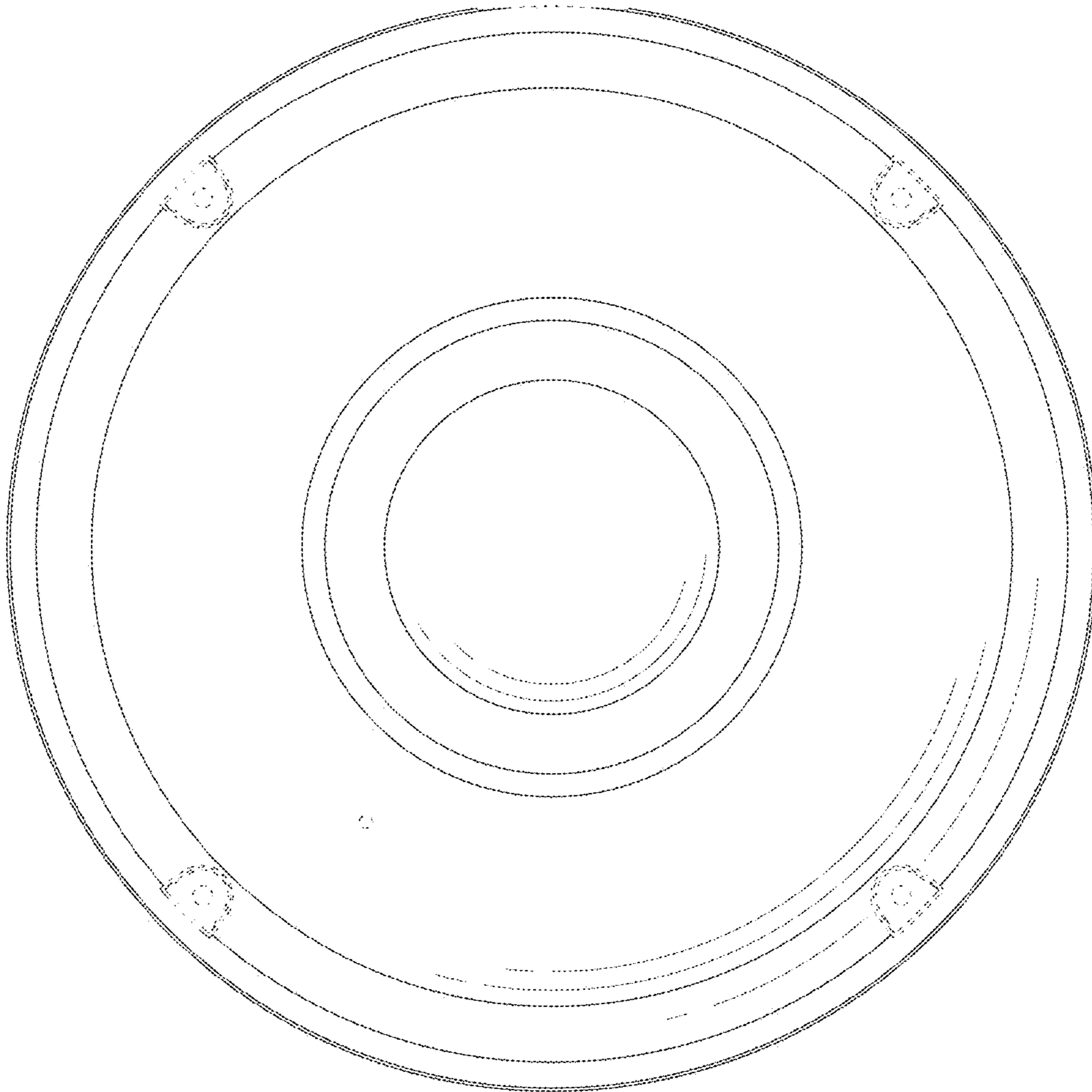


FIG. 7

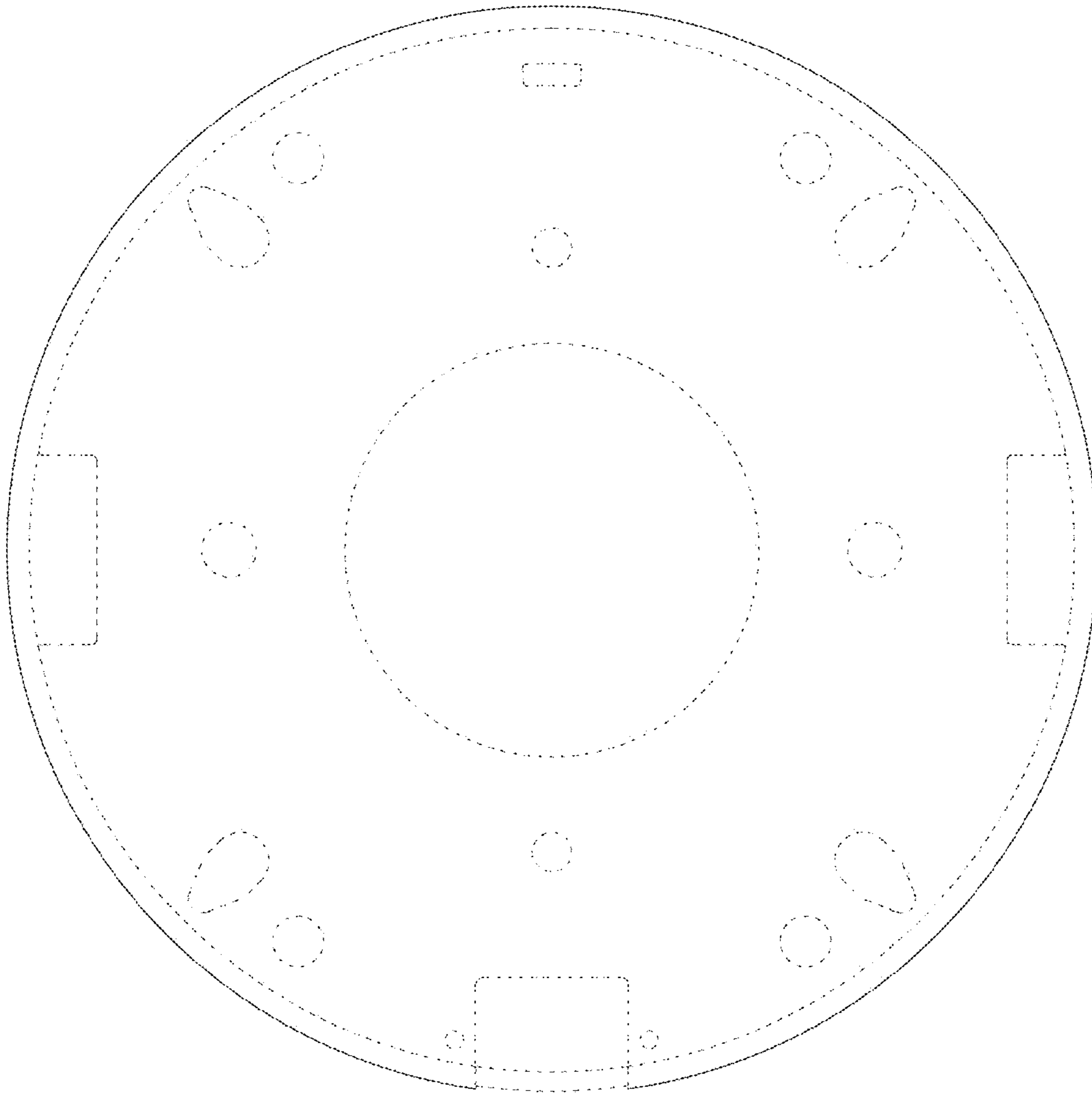


FIG. 8