



US00D978947S

(12) **United States Design Patent**  
**Yang et al.**

(10) **Patent No.:** **US D978,947 S**

(45) **Date of Patent:** **\*\* Feb. 21, 2023**

(54) **CAMERA**

(71) Applicant: **BEIJING XIAOMI MOBILE SOFTWARE CO., LTD.**, Beijing (CN)

(72) Inventors: **Panpan Yang**, Beijing (CN); **Tao Wang**, Beijing (CN); **Ningning Li**, Beijing (CN)

(73) Assignee: **Beijing Xiaomi Mobile Software Co., Ltd.**, Beijing (CN)

(\*\*) Term: **15 Years**

(21) Appl. No.: **35/512,451**

(22) Filed: **Aug. 5, 2021**

(80) **Hague Agreement Data**

Int. Filing Date: **Aug. 5, 2021**  
Int. Reg. No.: **DM/215923**  
Int. Reg. Date: **Aug. 5, 2021**  
Int. Reg. Pub. Date: **Aug. 27, 2021**

(30) **Foreign Application Priority Data**

Feb. 5, 2021 (CN) ..... 202130084875.5

(51) **LOC (14) Cl.** ..... **16-01**

(52) **U.S. Cl.**  
USPC ..... **D16/202**

(58) **Field of Classification Search**  
USPC ..... D16/200, 202-203, 206, 207, 218, 219  
CPC ..... H04N 5/232; G04G 21/02; G06F 1/1686  
See application file for complete search history.

(56) **References Cited**

**U.S. PATENT DOCUMENTS**

D532,807 S \* 11/2006 Shih ..... D16/202  
D551,276 S \* 9/2007 Lau ..... D16/202  
D616,007 S \* 5/2010 Teppan ..... D16/242

D626,165 S \* 10/2010 Raken ..... D16/202  
D647,935 S 11/2011 Raken et al.  
D647,946 S \* 11/2011 Raken ..... D16/242  
D807,942 S \* 1/2018 Kim ..... D16/203  
D928,862 S \* 8/2021 Wang ..... D16/206  
D960,221 S \* 8/2022 Wang ..... D16/206  
2008/0159733 A1\* 7/2008 Liang ..... G03B 17/561  
396/428  
2017/0241589 A1\* 8/2017 Wang ..... F16M 11/08  
2019/0349533 A1\* 11/2019 Guo ..... H04N 5/2253

**FOREIGN PATENT DOCUMENTS**

CN 306142001 S 10/2020  
CN 306231234 S 12/2020  
JP 1637811 S 7/2019

**OTHER PUBLICATIONS**

Taiwanese Patent Application No. 110304068 Notice of Allowance dated Jan. 24, 2022.

\* cited by examiner

*Primary Examiner* — Holly E Thurman  
(74) *Attorney, Agent, or Firm* — Amster, Rothstein & Ebenstein LLP

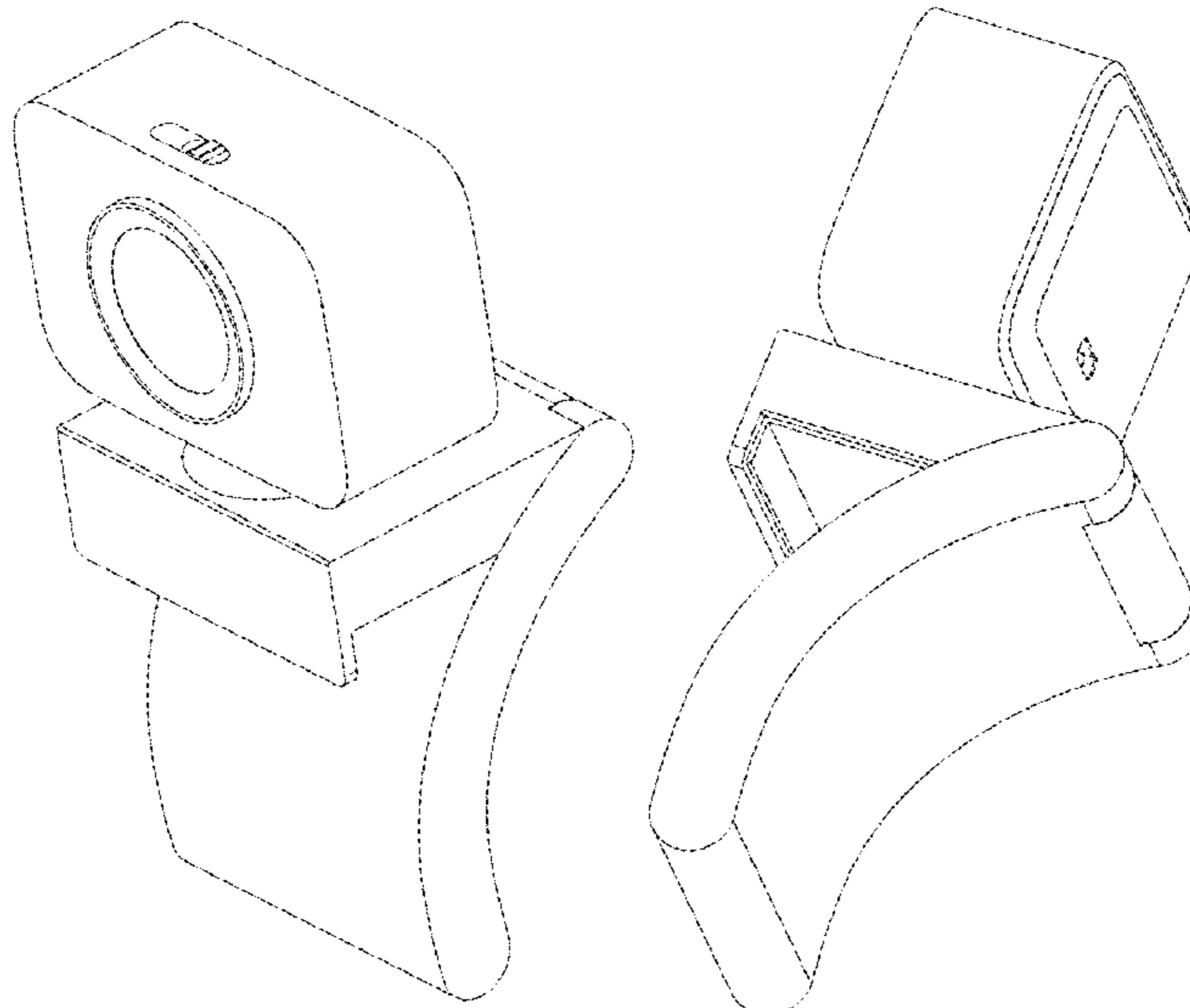
(57) **CLAIM**

The ornamental design for a camera, as shown and described.

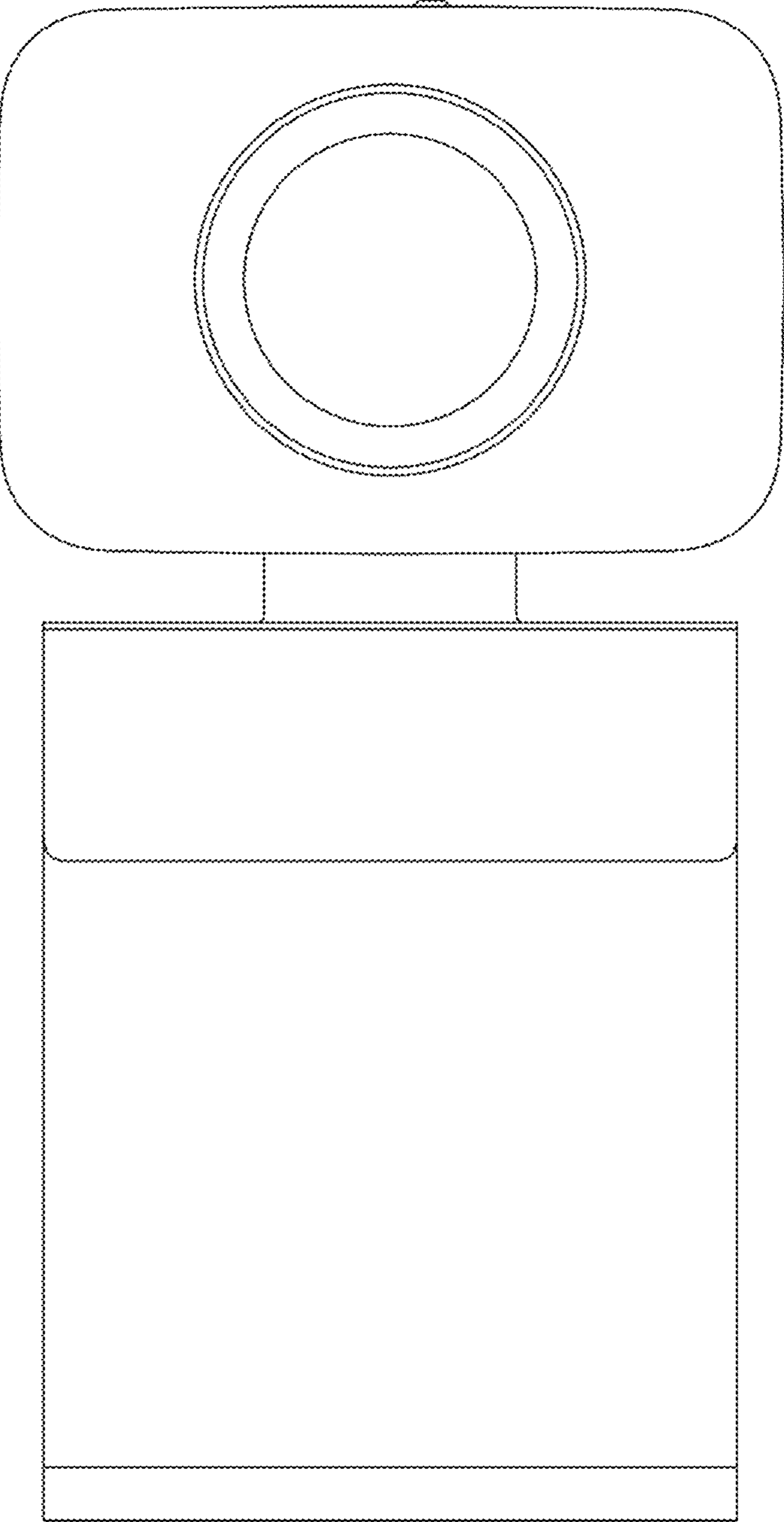
**DESCRIPTION**

- 1. Camera
- 1.1: Front
- 1.2 : Back
- 1.3: Left
- 1.4 : Right
- 1.5 : Top
- 1.6 : Bottom
- 1.7 : Right Top Front Perspective
- 1.8 : Right Bottom Back Perspective

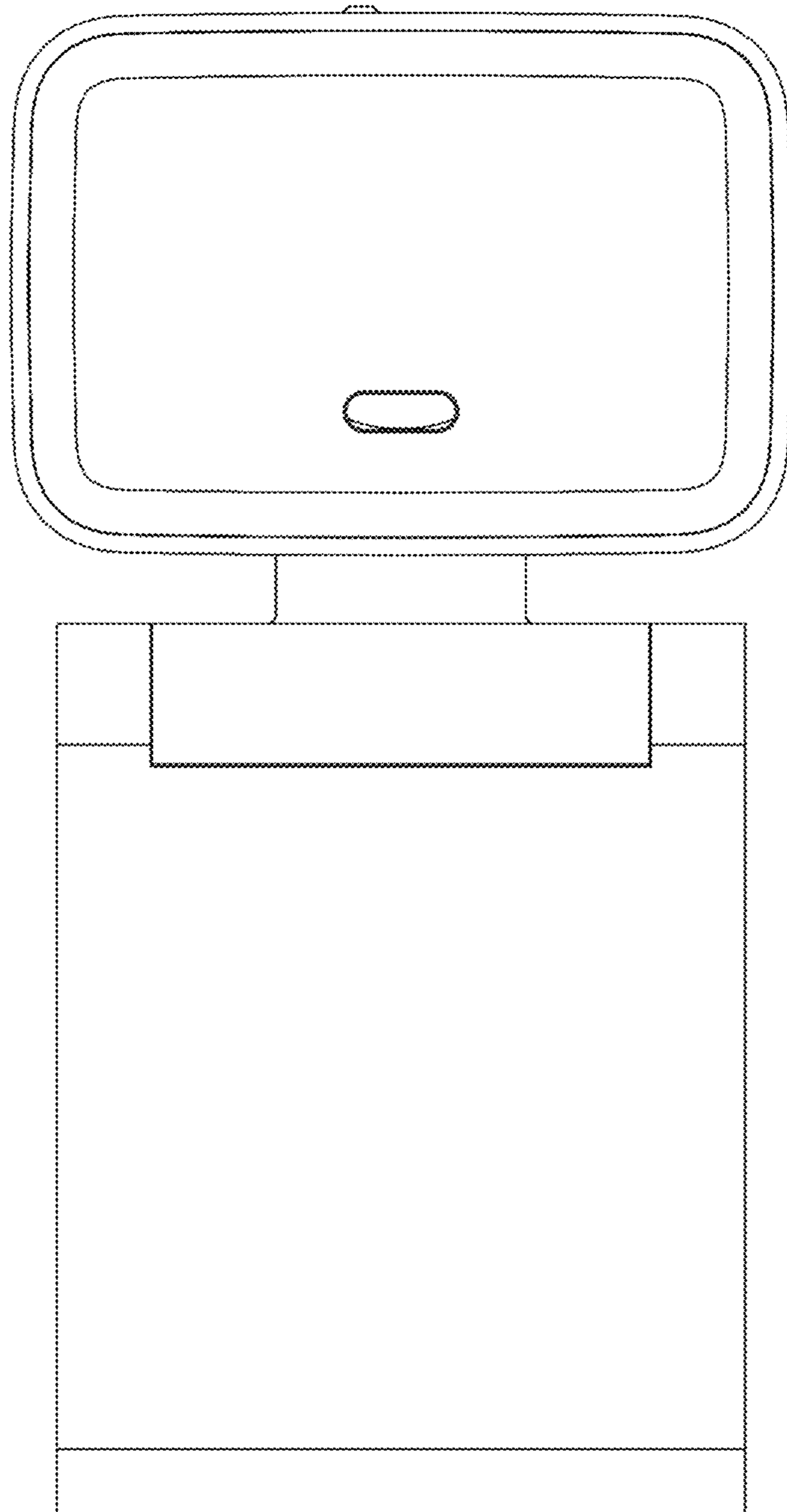
**1 Claim, 8 Drawing Sheets**



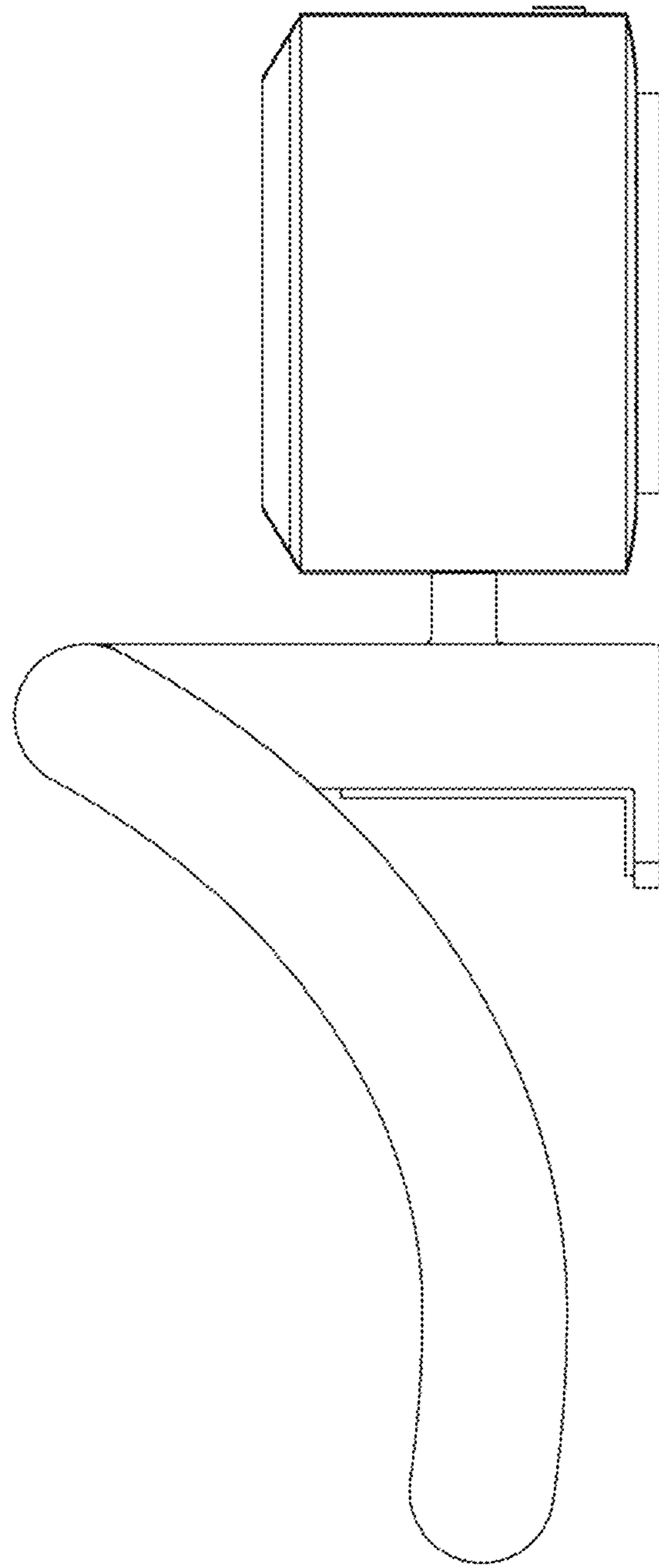
1.1



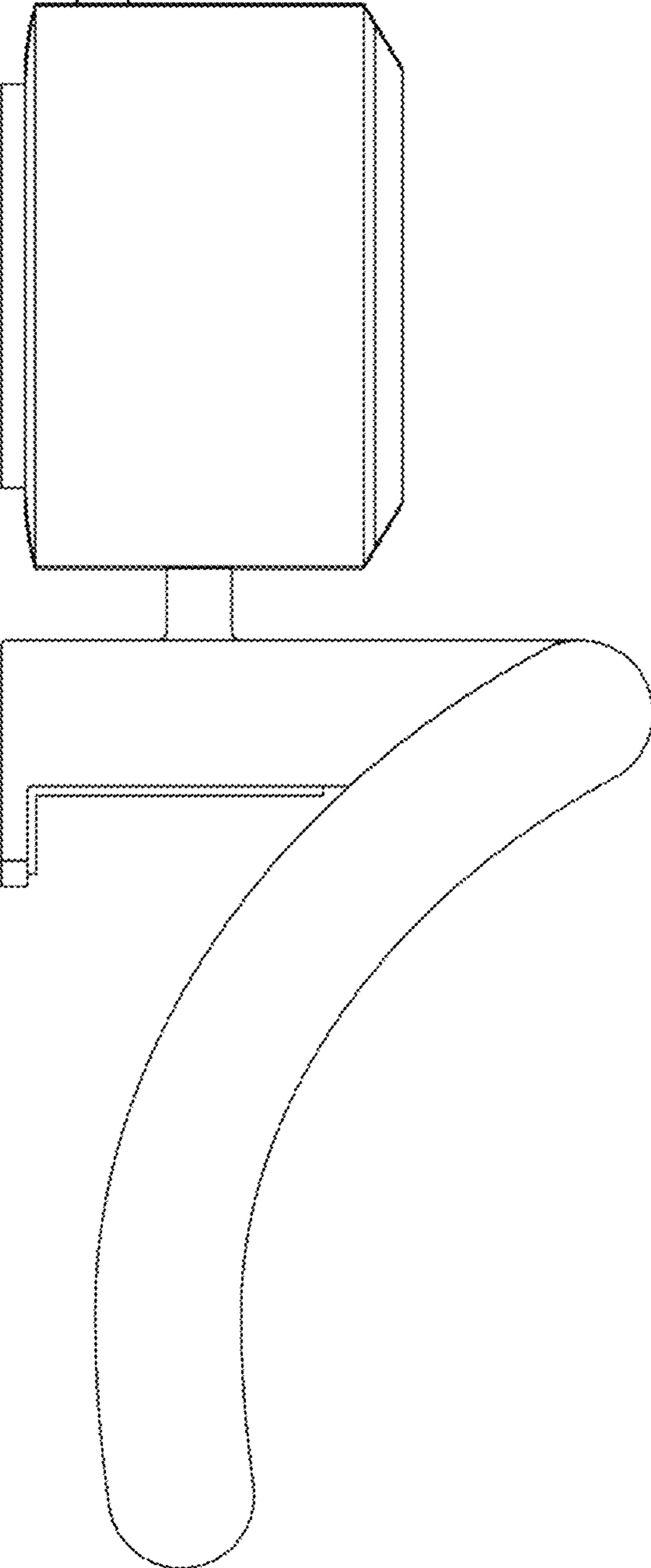
1.2



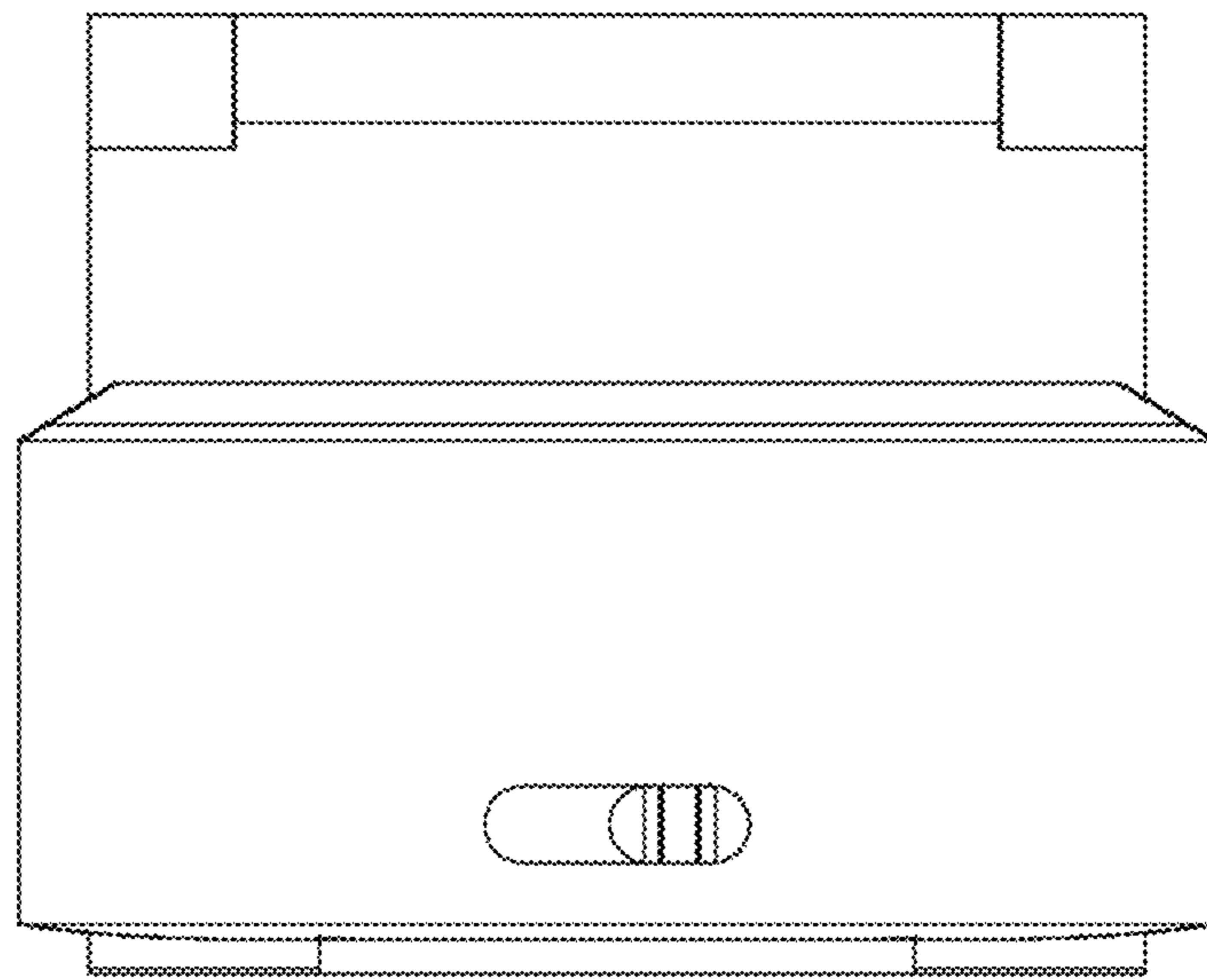
1.3



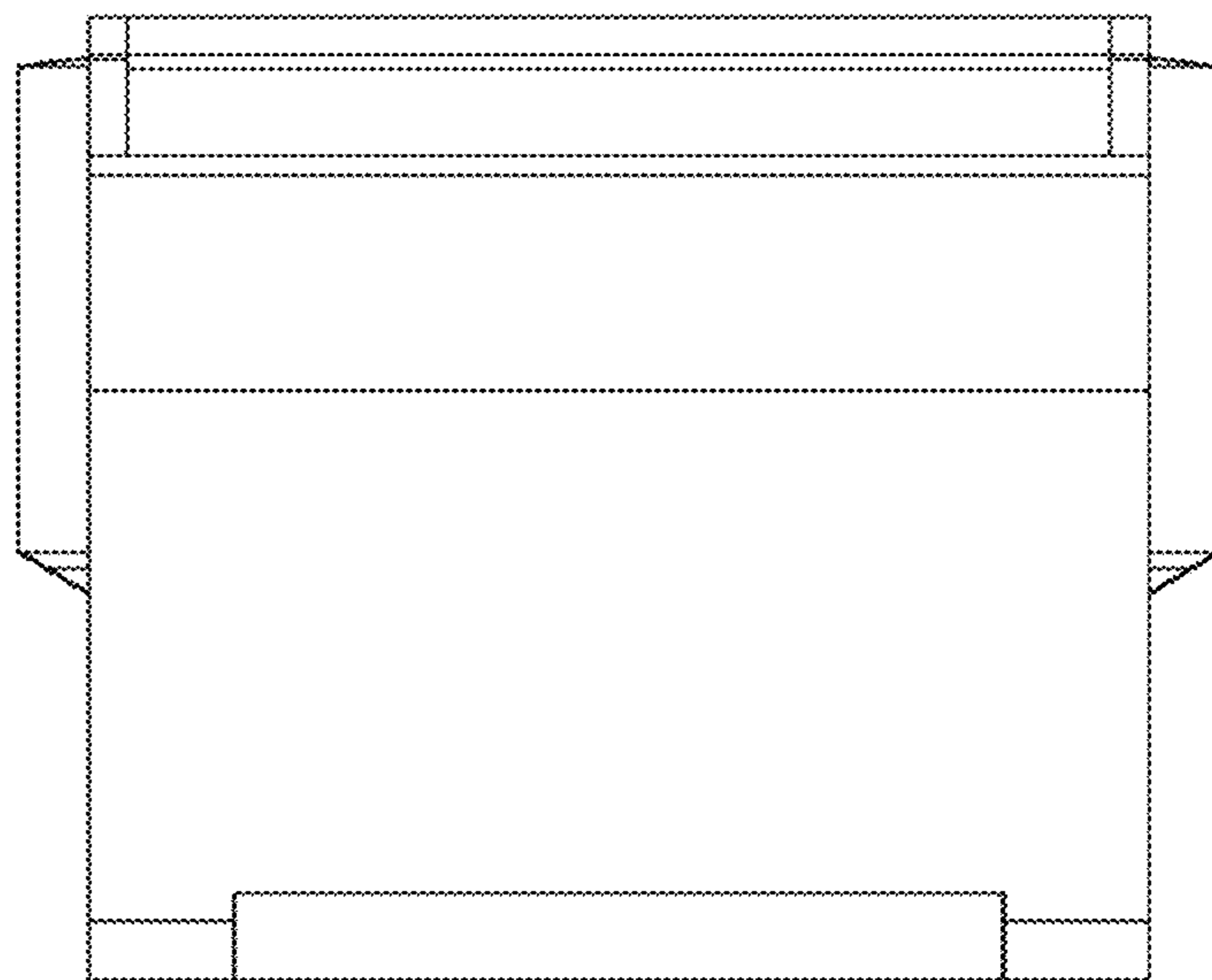
1.4



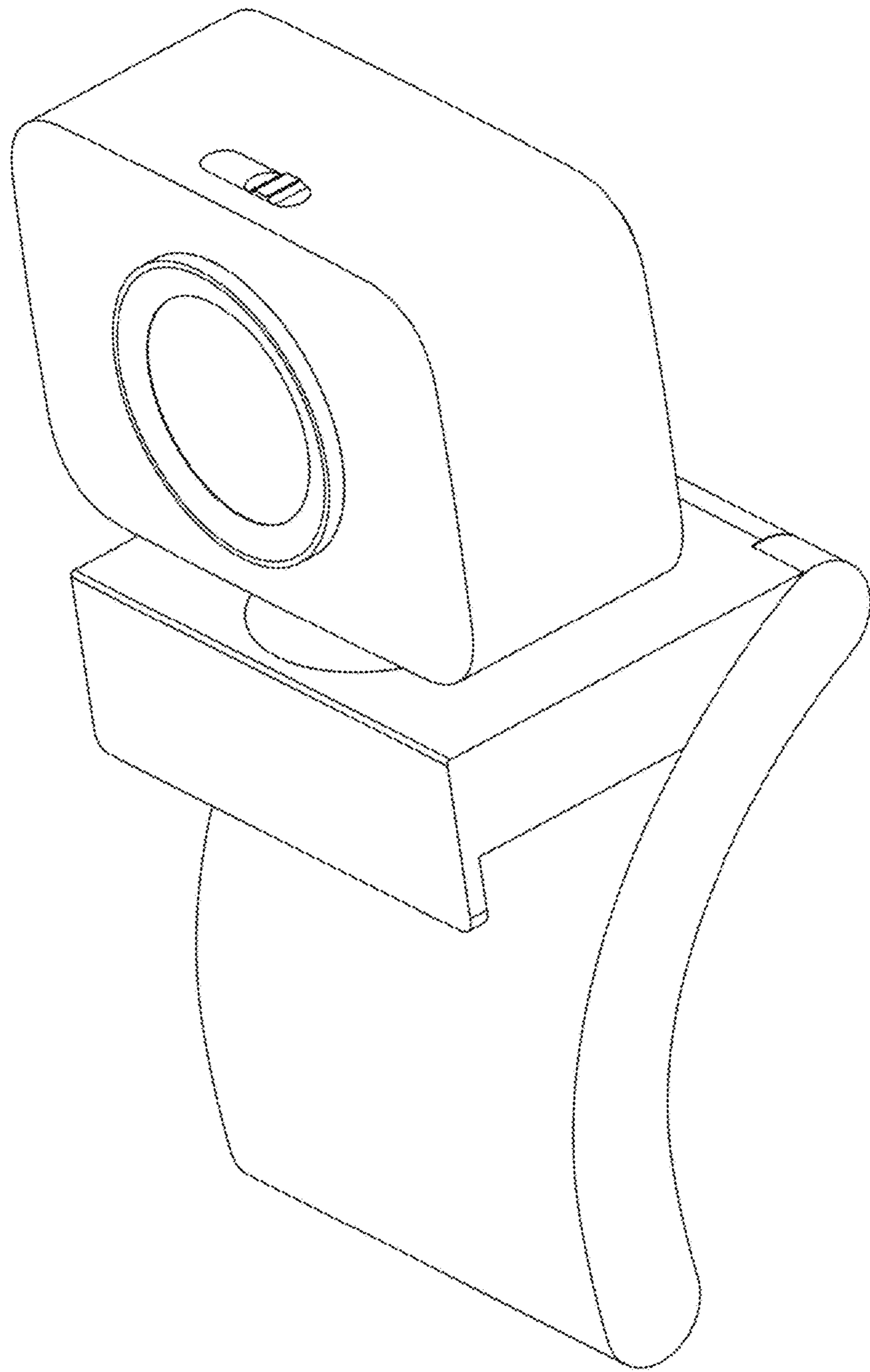
1.5



1.6



1.7





1.8

