



US00D978946S

(12) **United States Design Patent** (10) **Patent No.:** **US D978,946 S**  
**Liu** (45) **Date of Patent:** **\*\* Feb. 21, 2023**

(54) **DIGITAL MICROSCOPE**

(71) Applicant: **Shenzhen Andonstar Technology Co., Ltd**, Shenzhen (CN)

(72) Inventor: **Yaodong Liu**, Shenzhen (CN)

(\*\*) Term: **15 Years**

(21) Appl. No.: **29/772,286**

(22) Filed: **Mar. 1, 2021**

(51) **LOC (14) Cl.** ..... **16-06**

(52) **U.S. Cl.**  
USPC ..... **D16/131**

(58) **Field of Classification Search**

USPC ..... D16/130-137; D21/529; D24/137, 160  
CPC . G02B 3/00; G02B 5/00; G02B 23/16; G02B  
25/02; G02B 25/002

See application file for complete search history.

(56) **References Cited**

**U.S. PATENT DOCUMENTS**

3,360,641 A *	12/1967	Korte	.....	G02B 21/086
				359/801
D848,516 S *	5/2019	Park	.....	D16/225
D859,487 S *	9/2019	Chen	.....	D16/131
D885,454 S *	5/2020	Liu	.....	D16/131
D916,168 S *	4/2021	Lin	.....	D16/208
D956,119 S *	6/2022	Zhang	.....	D16/131

**FOREIGN PATENT DOCUMENTS**

CN	304455534	*	1/2018
CN	306696765	*	7/2021
CN	307496260	*	8/2022
FR	008451405-0001	*	3/2021

**OTHER PUBLICATIONS**

Levenhuk DTX 350 Digital Microscope, earliest pictured Oct. 18, 2020, [online], [site visited Nov. 2, 2022]. Available via Internet,

<URL: https://www.levenhuk.com/catalogue/microscopes/levenhuk-dtx-350-lcd/?nomobile=1#.Y2kURdjMJPZ> (Year: 2020).  
Amazon Andonstar AD246S-P Digital Microscope, earliest pictured Aug. 21, 2022, [online], [site visited Nov. 2, 2022]. Available via Internet, <URL: https://www.amazon.com/dp/B09VPL8K8C?ref\_=cm\_sw\_r\_cp\_ud\_dp\_H5CWRWADJGHHVCCV3EM4> (Year: 2022).  
Google Search, [online], [site visited Nov. 2, 2022]. Available via Internet, <URL: https://www.google.com/search?q=child%27s+microscope+with+monitor&tbm=isch&ved=2ahUKEwjvMrCspD7AhVjvHIEHfw4D9AQ2-cCegQIABAA&E2%80%A6> (Year: 2022).\*

\* cited by examiner

*Primary Examiner* — Sanjeev Paul

*Assistant Examiner* — Breana Copeland

(74) *Attorney, Agent, or Firm* — Rumit Ranjit Kanakia

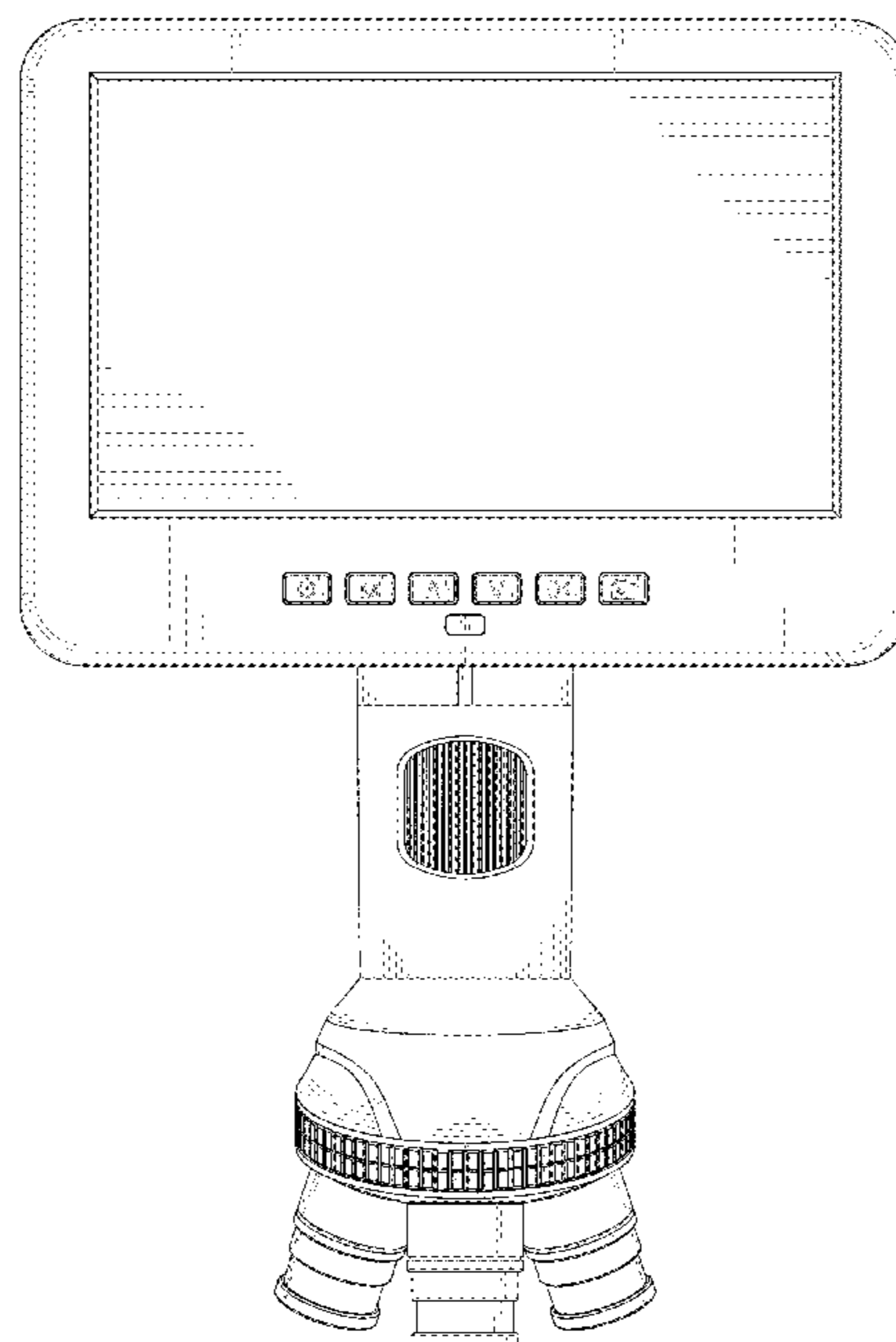
(57) **CLAIM**

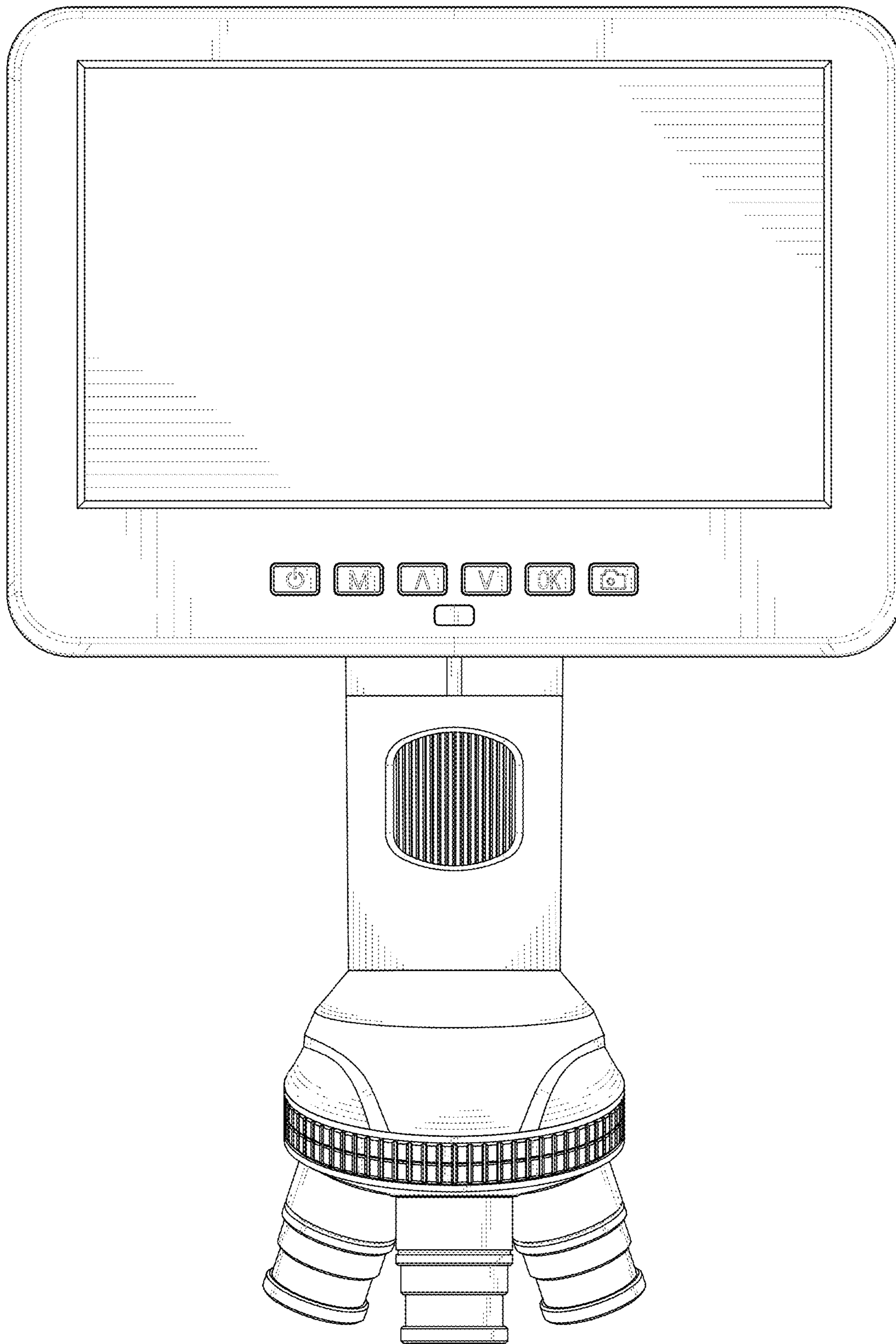
The ornamental design for a digital microscope, as shown and described.

**DESCRIPTION**

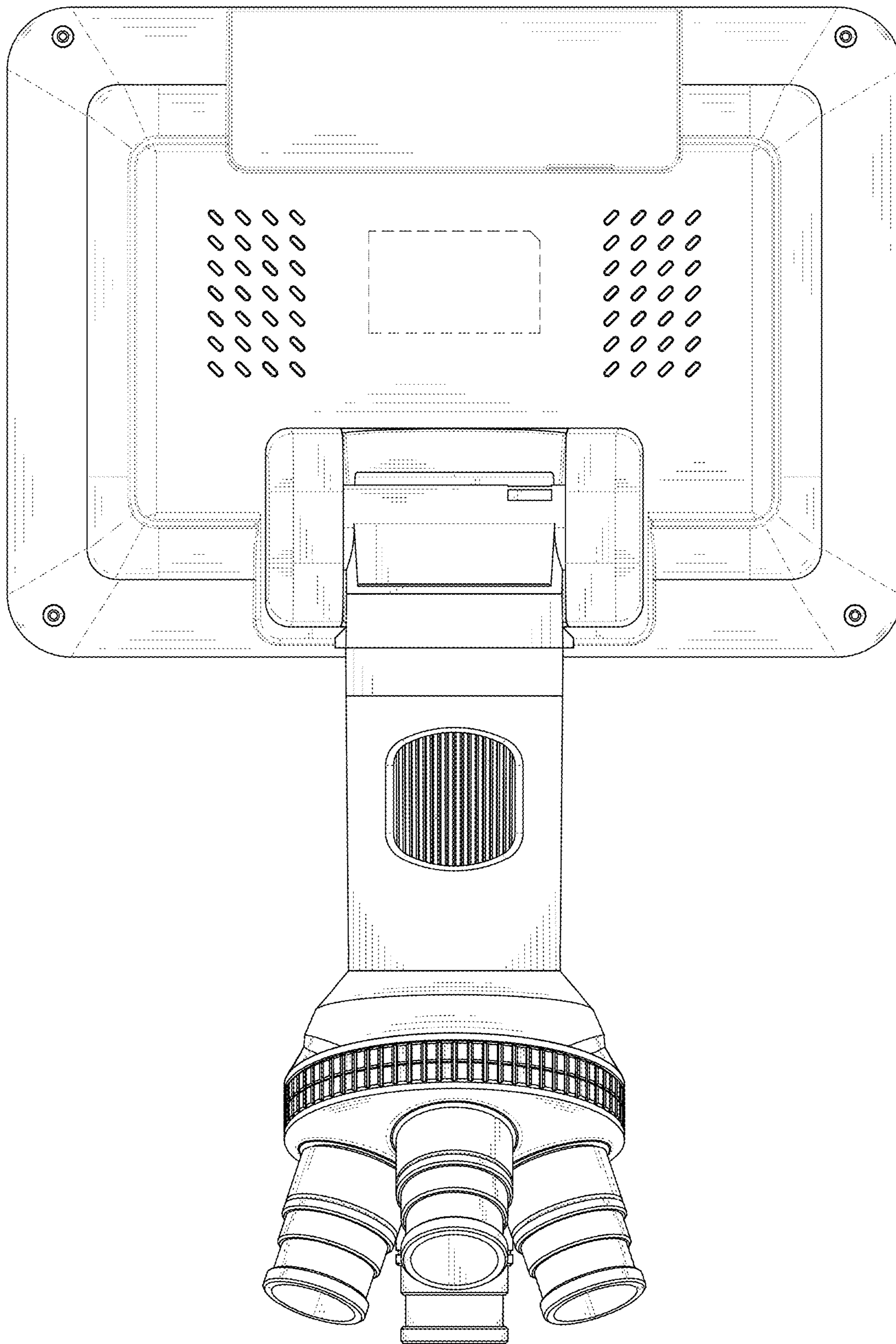
FIG. 1 is a front elevational view of a digital microscope showing my new design;  
FIG. 2 is a rear elevational view thereof; and  
FIG. 3 is a left side view thereof;  
FIG. 4 is a right side view thereof;  
FIG. 5 is a top plan view thereof;  
FIG. 6 is a bottom plan view thereof;  
FIG. 7 is a perspective view of a digital microscope showing my new design; and,  
FIG. 8 is another perspective view thereof.  
The broken lines in the figures are for the purposes of illustrating portions of the digital microscope, which form no part of the claimed design.

**1 Claim, 8 Drawing Sheets**

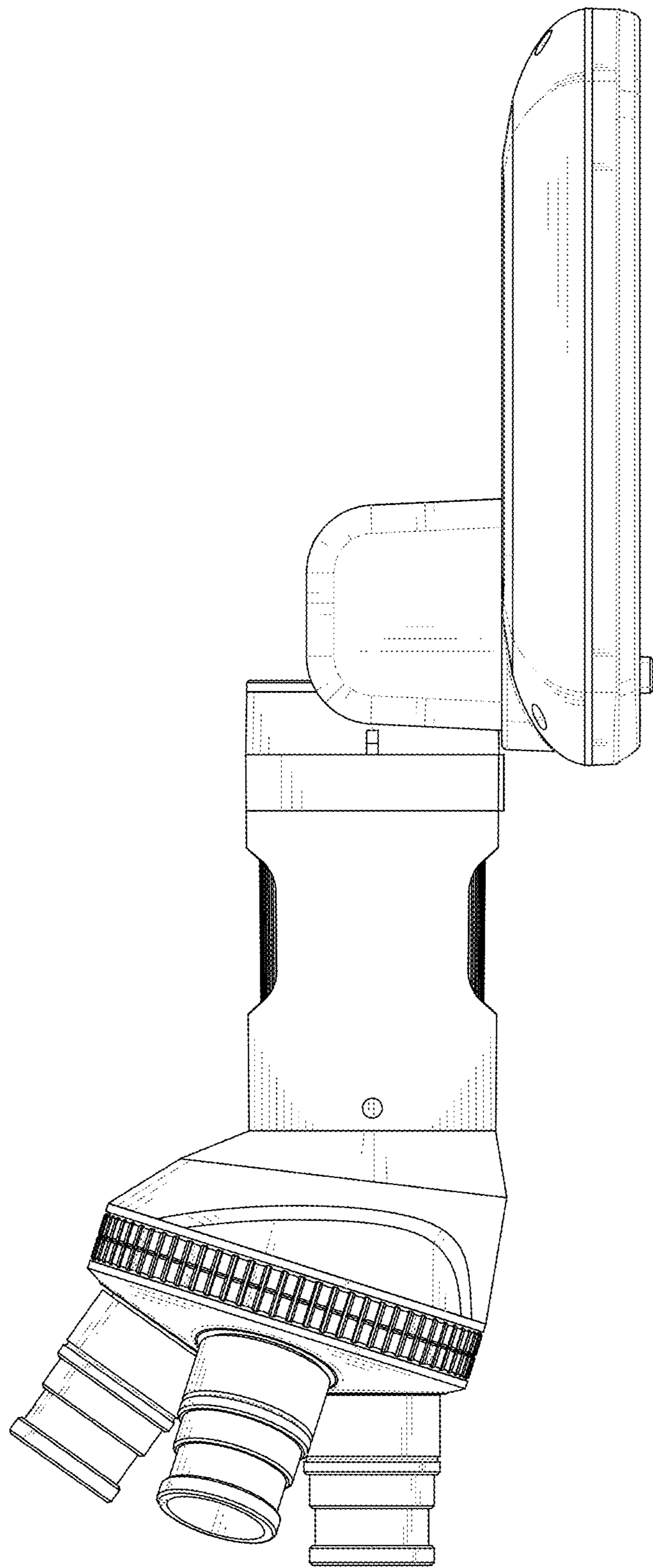




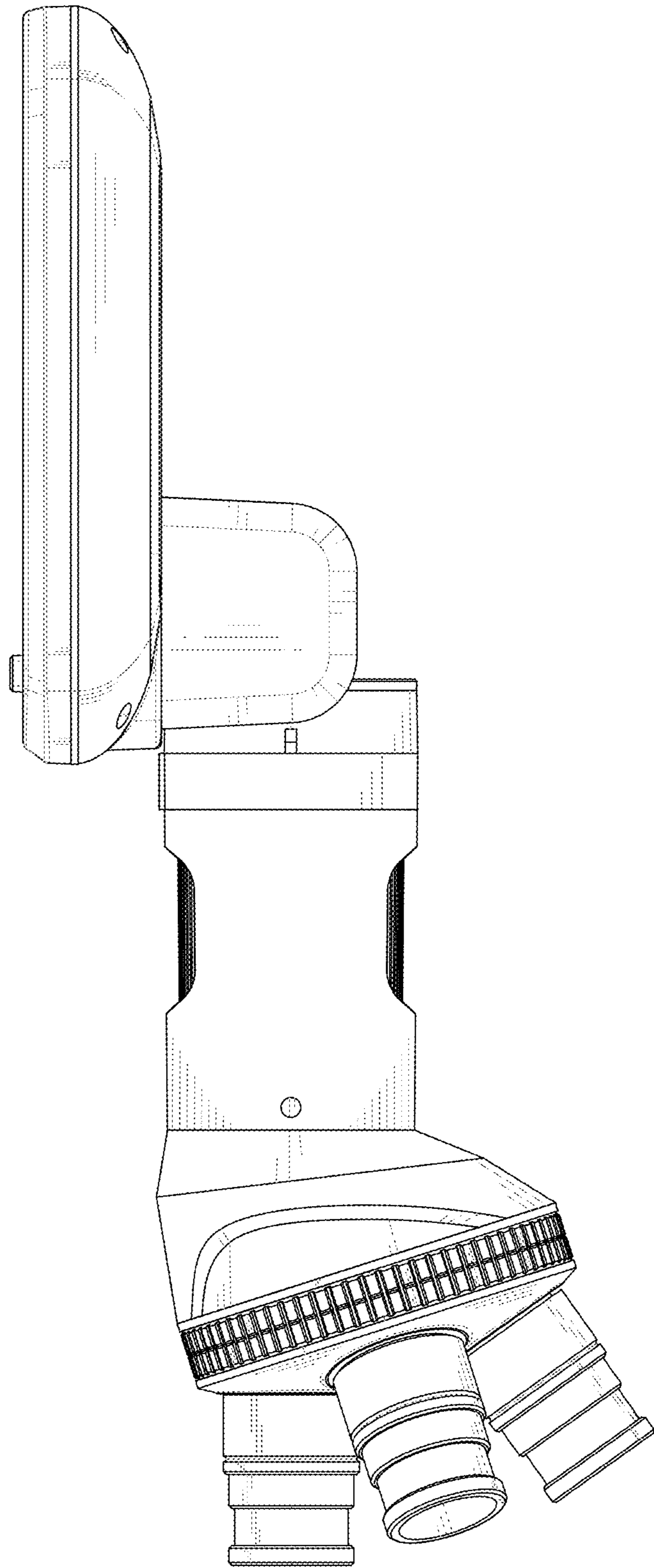
**FIG. 1**



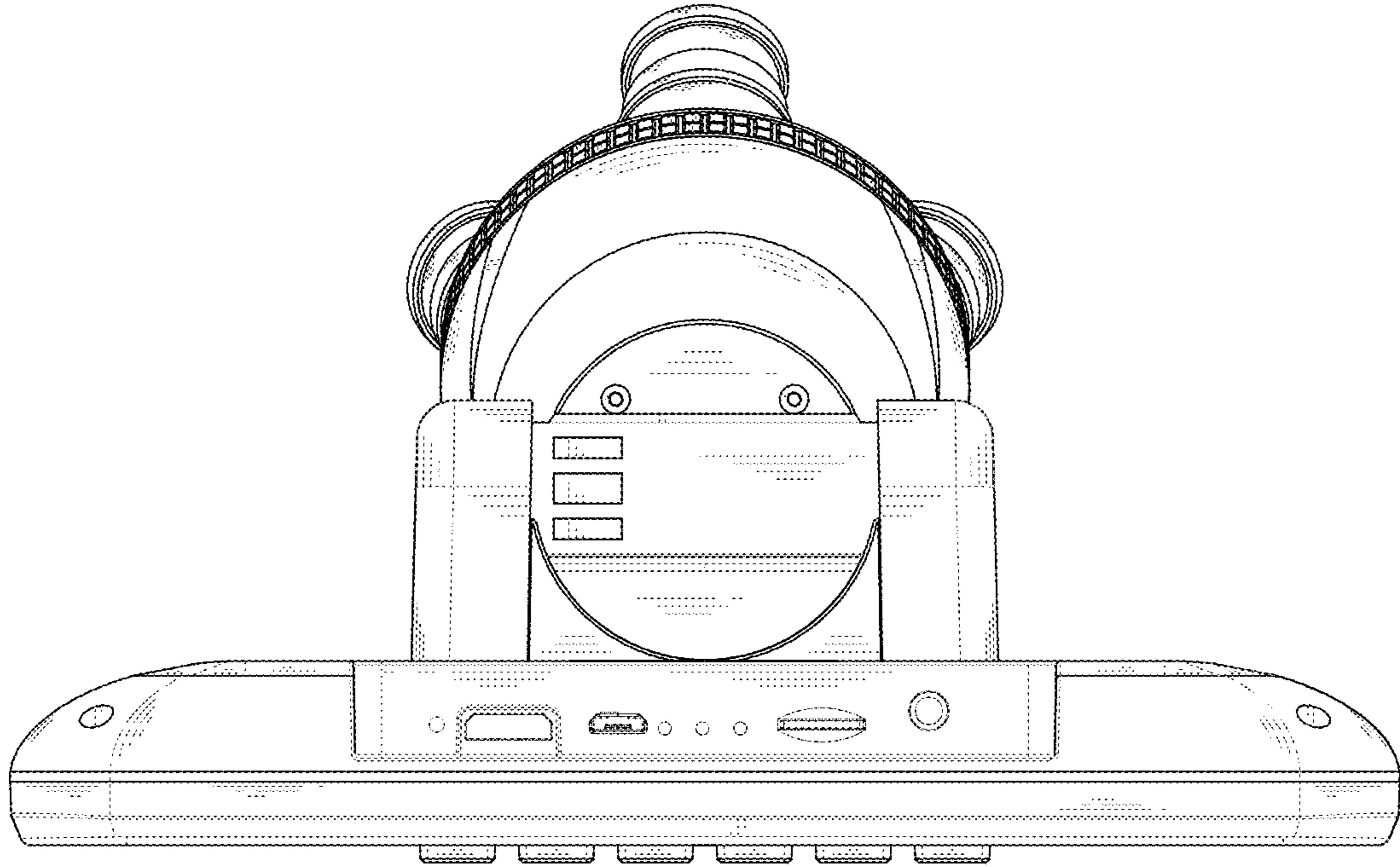
**FIG. 2**



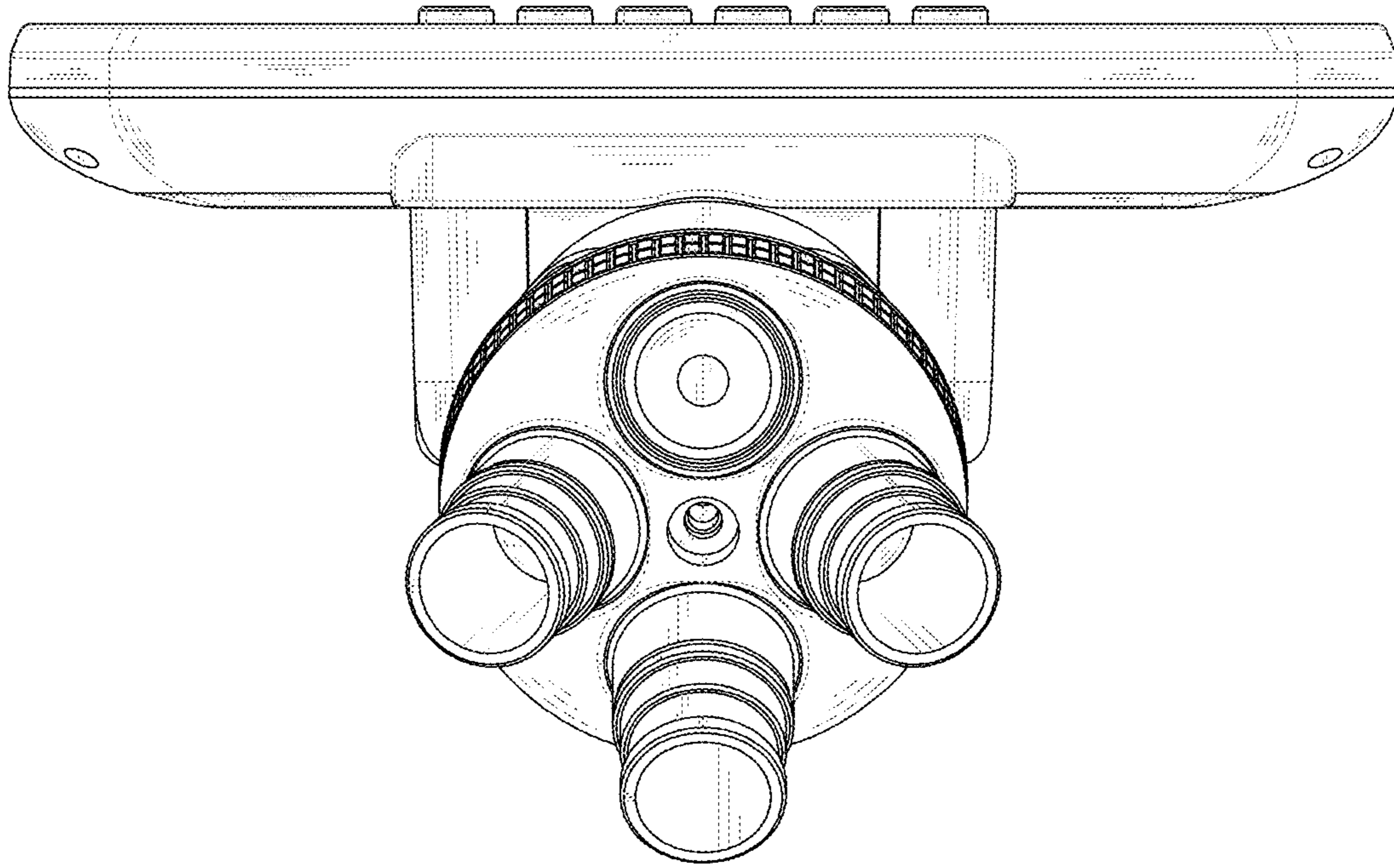
**FIG. 3**



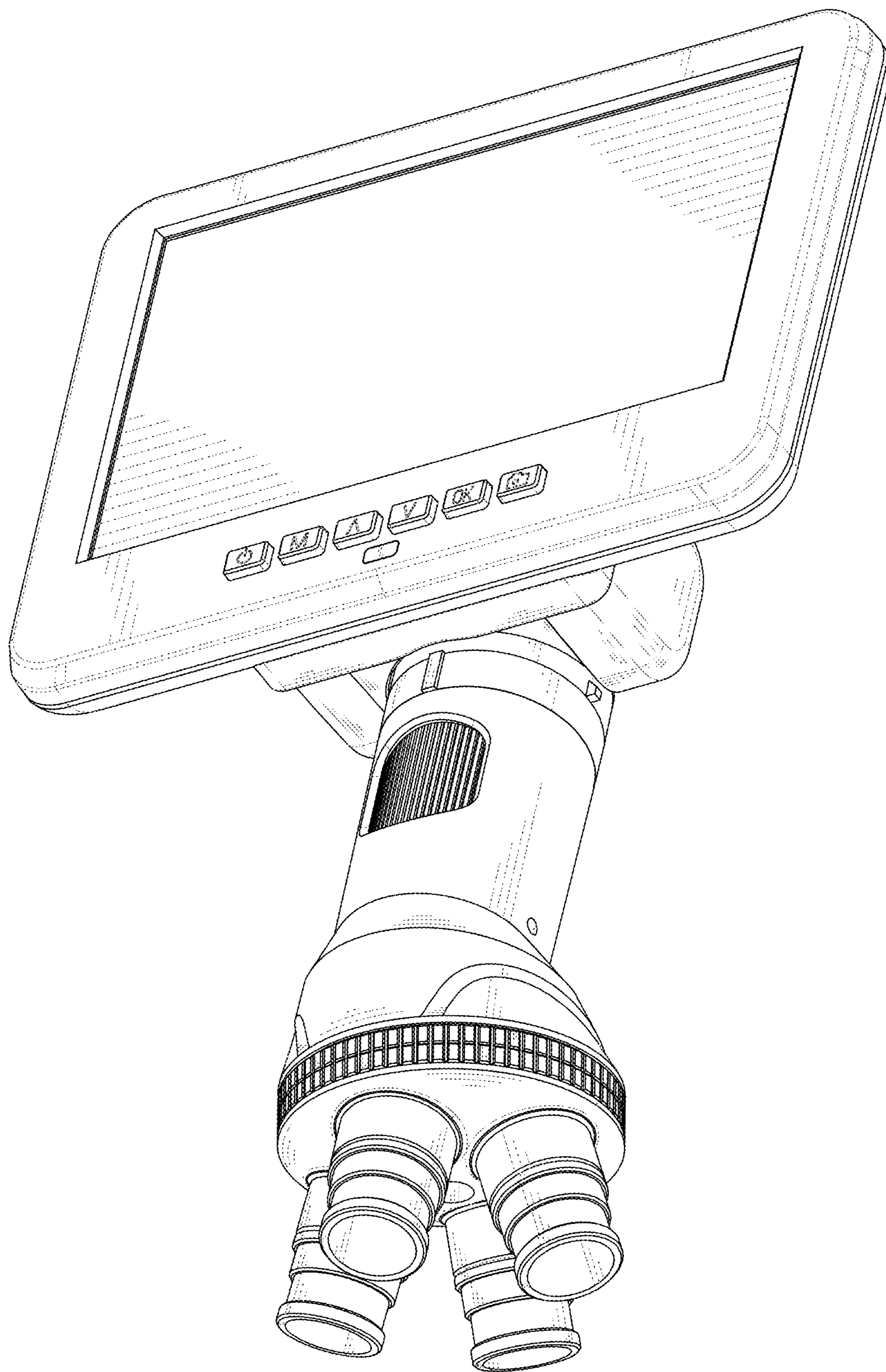
**FIG. 4**



**FIG. 5**

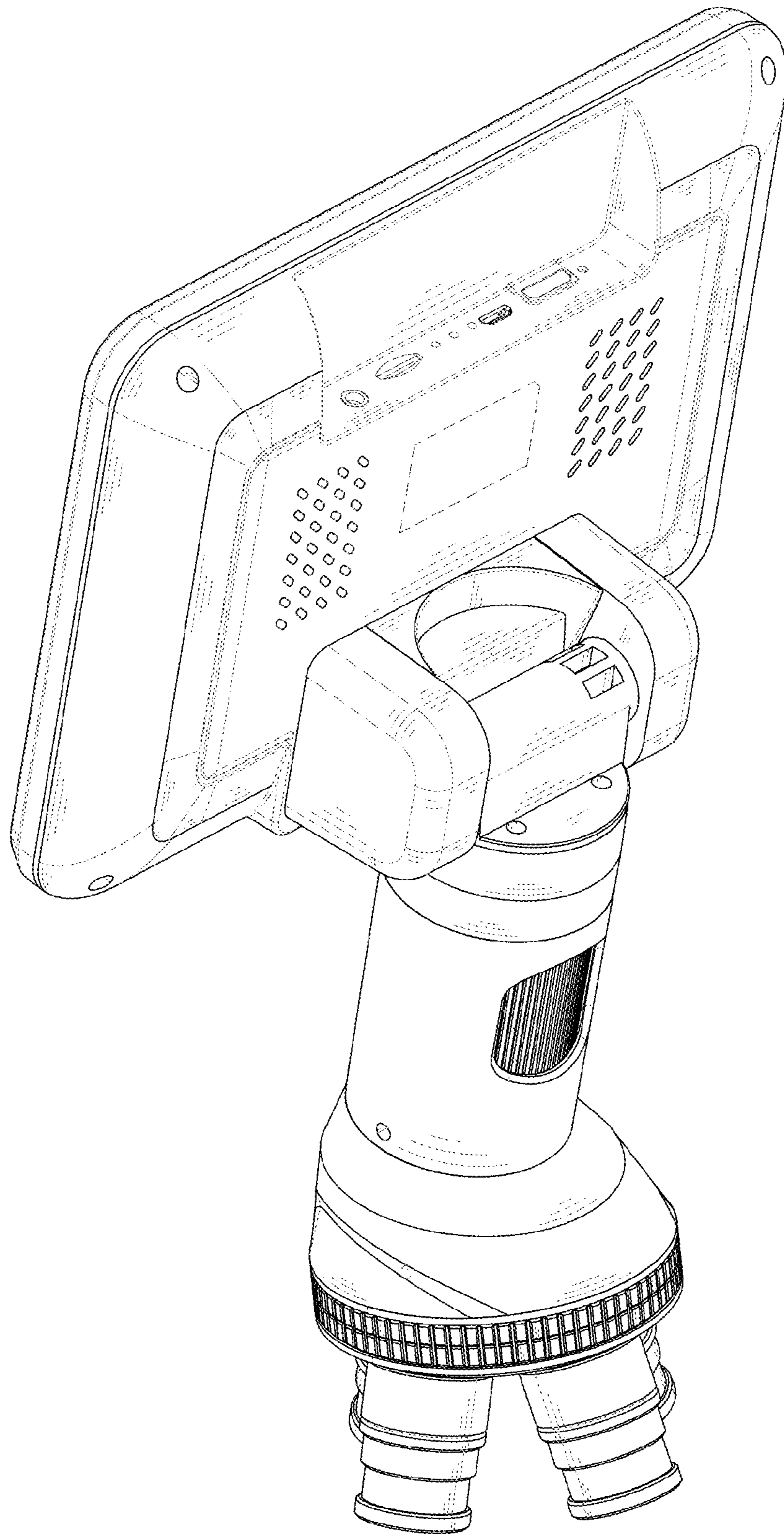


**FIG. 6**



**FIG. 7**





**FIG. 8**